



198 Kezhu Road, Sciencetech Park, Guangzhou Economic & Technology Development District, Guangzhou, China 510663

Tel: +86 20 82155555 Fax: +86 20 82075059

Email: sgs_internet_operations@sgs.com

FEDERAL COMMUNICATIONS COMMISSION

Registration number: 282399

Report No.: GLEMO09050134801

Page: 1 of 14

FCCID:W2MXQ09TOYS49

TEST REPORT

Application No. : GLEMO090501348RF
Applicant: XQ ARTS TOYS CO., LTD.
FCC ID: W2MXQ09TOYS49
Frequency: 49.86 MHz

Equipment Under Test (EUT):

EUT Name: RC CAR SERIES

Model No.: XQ009, XQ015, XQ043, XQ061, XQ062, XQ067, XQ068, XQ071, XQ073, XQ074, XQ081, XQ006, XQ013, XQ014, XQ031, XQ033, XQ035, XQ037, XQ042, XQ055♣

♣

Please refer to section 3 of this report which indicates which Item was actually tested and which were electrically identical.

Standards: FCC PART 15C: 2008

Date of Receipt: 19 May 2009

Date of Test: 20 May 2009 to 22 May 2009

Date of Issue: 01 June 2009

Test Result :	PASS *
----------------------	---------------

* In the configuration tested, the EUT detailed in this report complied with the standards specified above. Please refer to section 3 of this report for further details.

Authorized Signature:

Stephen Guo
Lab Manager

The manufacturer should ensure that all products in series production are in conformity with the product sample detailed in this report. If the product in this report is used in any configuration other than that detailed in the report, the manufacturer must ensure the new system complies with all relevant standards.

The report must not be used by the client to claim product certification, approval, or endorsement by NVLAP, NIST, or any agency of the federal government. All test results in this report can be traceable to National or International Standards.

This document is issued by the Company subject to its General Conditions of Service printed overleaf, available on request or accessible at www.sgs.com/terms_and_conditions.htm and, for electronic format documents, subject to Terms and Conditions for Electronic Documents at www.sgs.com/terms_e-document.htm. Attention is drawn to the limitation of liability, indemnification and jurisdiction issues defined therein. Any holder of this document is advised that information contained hereon reflects the Company's findings at the time of its intervention only and within the limits of Client's instructions, if any. The Company's sole responsibility is to its Client and this document does not exonerate parties to a transaction from exercising all their rights and obligations under the transaction documents. This document cannot be reproduced except in full, without prior written approval of the Company. Any unauthorized alteration, forgery or falsification of the content or appearance of this document is unlawful and offenders may be prosecuted to the fullest extent of the law. Unless otherwise stated the results shown in this test report refer only to the sample(s) tested and such sample(s) are retained for 90 days only.



SGS-CSTC Standards Technical Services Ltd.

Report No.: GLEMO09050134801

Page: 2 of 14

FCC ID: W2MXQ09TOYS49

2 Version

Version No.	Date	Description
01	01 June 2009	Original

Prepared By: Kobe Jian & Celia Xiang **Date** 2009-6-01

Project Engineer

Check By: Gavin Wu **Date** 2009-6-01

Reviewer



3 Test Summary

Test	Test Requirement	Standard Paragraph	Result
Radiated Emission	FCC PART 15 :2008	Section 15.235	PASS
Occupied Bandwidth	FCC PART 15 :2008	Section 15.235	PASS

Tx: In this whole report Tx (or tx) means Transmitter.

Rx: In this whole report Rx (or rx) means Receiver.

RF: In this whole report RF means Radiated Frequency.

Remark:

♣ Item No.:

XQ009, XQ015, XQ043, XQ061, XQ062, XQ067, XQ068, XQ071, XQ073, XQ074, XQ081, XQ006, XQ013, XQ014, XQ031, XQ033, XQ035, XQ037, XQ042, XQ055

Only the Item XQ009 was tested, since the electrical circuit design, PCB layout, Electronics Parts and Figure are identical to the basic model, only the outer decoration are were different according to the conformation from the applicant (manufacturer).



4 Contents

	Page
1 COVER PAGE	1
2 VERSION	2
3 TEST SUMMARY	3
4 CONTENTS	4
5 GENERAL INFORMATION.....	5
5.1 CLIENT INFORMATION.....	5
5.2 DETAILS OF E.U.T.	5
5.3 DESCRIPTION OF SUPPORT UNITS.....	5
5.4 STANDARDS APPLICABLE FOR TESTING	5
5.5 TEST LOCATION	5
5.6 OTHER INFORMATION REQUESTED BY THE CUSTOMER	5
5.7 ABNORMALITIES FROM STANDARD CONDITIONS	5
5.8 TEST FACILITY	6
6 EQUIPMENTS USED DURING TEST	7
7 TEST RESULTS	8
7.1 E.U.T. TEST CONDITIONS	8
7.2 RADIATED EMISSIONS	9
7.3 OCCUPIED BANDWIDTH	14

5 General Information

5.1 Client Information

Applicant Name: XQ ARTS TOYS CO., LTD.

Applicant Address: North of Xing Ye Road, Lai Mei Industrial District Shan Tou, 515800 China

5.2 Details of E.U.T.

EUT Name: RC CAR SERIES

Item No.: XQ009, XQ015, XQ043, XQ061, XQ062, XQ067, XQ068, XQ071, XQ073, XQ074, XQ081, XQ006, XQ013, XQ014, XQ031, XQ033, XQ035, XQ037, XQ042, XQ055

Power Supply: DC 9V (Size "6F22" 9V x 1)

Power Cord: N/A

5.3 Description of Support Units

The EUT was tested as an independent unit.(Radio transmitter.)

5.4 Standards Applicable for Testing

The customer requested FCC tests for the EUT.

The standard used was FCC PART 15, SUBPART C: 2008.

5.5 Test Location

All tests were performed at:

SGS-CSTC Standards Technical Services Co., Ltd., Guangzhou EMC Laboratory,

198 Kezhu Road, Sciencetech Park, Guangzhou Economic & Technology Development District, Guangzhou, China 510663

Tel: +86 20 82155555

Fax: +86 20 82075059

No tests were sub-contracted.

5.6 Other Information Requested by the Customer

None.

5.7 Abnormalities from Standard Conditions

None.

5.8 Test Facility

The test facility is recognized, certified, or accredited by the following organizations:

- **NVLAP (Lab Code: 200611-0)**

SGS-CSTC Standards Technical Services Co., Ltd., Guangzhou EMC Laboratory is recognized under the National Voluntary Laboratory Accreditation Program (NVLAP/NIST). NVLAP Code: 200611-0.

- **ACMA**

SGS-CSTC Standards Technical Services Co., Ltd., EMC Laboratory can also perform testing for the Australian C-Tick mark as a result of our NVLAP accreditation.

- **SGS UK(Certificate No.: 32), SGS-TUV SAARLAND and SGS-FIMKO**

Have approved SGS-CSTC Standards Technical Services Co., Ltd., EMC Laboratory as a supplier of EMC TESTING SERVICES and SAFETY TESTING SERVICES.

- **CNAS (Lab Code: L0167)**

SGS-CSTC Standards Technical Services Co., Ltd., EMC Laboratory has been assessed and in compliance with CNAS-CL01:2006 accreditation criteria for testing laboratories (identical to ISO/IEC 17025:2005 General Requirements) for the Competence of Testing Laboratories.

- **FCC (Registration No.: 282399)**

SGS-CSTC Standards Technical Services Co., Ltd., EMC Laboratory has been registered and fully described in a report filed with the (FCC) Federal Communications Commission. The acceptance letter from the FCC is maintained in our files. Registration 282399, May 31, 2002.

- **Industry Canada (Registration No.: 4620B-1)**

The 3m/10m Alternate Semi-anechoic chamber of SGS-CSTC Standards Technical Services Co., Ltd. has been registered by Certification and Engineering of Industry Canada for radio equipment testing with Registration No. 4620B-1.

Date of Registration: February 18, 2009. Valid until February 18, 2011.

- **VCCI (Registration No.: R-2460 and C-2584)**

The 10m Semi-anechoic chamber and Shielded Room of SGS-CSTC Standards Technical Services Co., Ltd. have been registered in accordance with the Regulations for Voluntary Control Measures with Registration No.: R-2460 and C-2584 respectively.

- **CBTL (Lab Code: TL129)**

SGS-CSTC Standards Technical Services Co., Ltd., E&E Laboratory has been assessed and fully comply with the requirements of ISO/IEC 17025:2005, the Basic Rules, IEC 60335-1:2006-10 and Rules of procedure IEC 60335-2:2006-10, and the relevant IEC 60335-2 Scheme Operational documents.

This certificate was issued Dec.04.2006 and valid until Oct.12.2009.

6 Equipments Used during Test

RE in Chamber						
No:	Test Equipment	Manufacturer	Model No.	Serial No.	Cal. Date (dd-mm-yy)	Cal.Due date (dd-mm-yy)
EMC0525	Compact Semi-Anechoic Chamber	ChangZhou ZhongYu	N/A	N/A	N/A	N/A
EMC0522	EMI Test Receiver	Rohde & Schwarz	ESIB26	100249	28-01-2009	28-01-2010
EMC0056	EMI Test Receiver	Rohde & Schwarz	ESCI	10036	14-07-2008	14-07-2009
N/A	EMI Test Software	Audix	E3	N/A	N/A	N/A
EMC0514	Coaxial cable	SGS	N/A	N/A	04-12-2008	04-12-2009
EMC0524	Bi-log Type Antenna	Schaffner -Chase	CBL6112B	2966	08-10-2008	08-10-2009
EMC0519	Bilog Type Antenna	Schaffner -Chase	CBL6143	5070	08-10-2008	08-10-2009
EMC0517	Horn Antenna	Rohde & Schwarz	HF906	100095	12-08-2008	12-08-2009
EMC0040	Spectrum Analyzer	Rohde & Schwarz	FSP30	100324	05-12-2008	05-12-2009
EMC0520	0.1-1300 MHz Pre-Amplifier	HP	8447D OPT 010	2944A06252	11-03-2009	11-03-2010
EMC0521	1-26.5 GHz Pre-Amplifier	Agilent	8449B	3008A01649	11-03-2009	11-03-2010
EMC0075	310N Amplifier	Sonama	310N	272683	10-09-2008	10-09-2009
EMC0523	Active Loop Antenna	EMCO	6502	00042963	09-08-2008	09-08-2010
EMC0530	10m Semi- Anechoic Chamber	ETS	N/A	N/A	10-08-2008	10-08-2009

General used equipment						
No:	Test Equipment	Manufacturer	Model No.	Serial No.	Cal. Date (dd-mm-yy)	Cal.Due date (dd-mm-yy)
EMC0006	DMM	Fluke	73	70681569	23-12-2008	23-12-2009
EMC0007	DMM	Fluke	73	70671122	23-12-2008	23-12-2009

7 Test Results

7.1 E.U.T. test conditions

Requirements: **15.31(e)** :For intentional radiators, measurements of the variation of the input power or the radiated signal level of the fundamental frequency component of the emission, as appropriate, shall be performed with the supply voltage varied between 85% and 115% of the nominal rated supply voltage. For battery operated equipment, the equipment tests shall be performed using a new battery.

Power supply: 9V DC (New batteries)

Type of antenna: Integral

Operating Environment:

Temperature: 22-25.0 °C

Humidity: 48-55% RH

Atmospheric Pressure: 1001-1010 mbar

Test frequencies: According to the 15.31(m) Measurements on intentional radiators or receivers, other than TV broadcast receivers, shall be performed and, if required, reported for each band in which the device can be operated with the device operating at the number of frequencies in each band specified in the following table:

Frequency range over which device operates	Number of frequencies	Location in the range of operation
1 MHz or less	1	Middle
1 to 10 MHz	2	1 near top and 1 near bottom
More than 10 MHz	3	1 near top, 1 near middle and 1 near bottom

Test nominal frequency : 49.860 MHz

7.2 Radiated Emissions

Test Requirement:	FCC Part15 C Section 15.235&15.209
Test Method:	ANSI C63.4-2003 (Revision of ANSI C63.4-2001)
Test Date:	22 May 2009
Measurement Distance:	3m (Semi-Anechoic Chamber)
Requirements:	<p>15.235(a) :The field strength of any emission within this band shall not exceed 10,000 microvolts/meter at 3 meters. The emission limit in this paragraph is based on measurement instrumentation employing an average detector. The provisions in Section 15.35 for limiting peak emissions apply.</p> <p>15.235(b) : The field strength of any emissions appearing between the band edges and up to 10 kHz above and below the band edges shall be attenuated at least 26 dB below the level of the unmodulated carrier or to the general limits in Section 15.209, whichever permits the higher emission levels. The field strength of any emissions removed by more than 10 kHz from the band edges shall not exceed the general radiated emission limits in Section 15.209. All signals exceeding 20 microvolts/meter at 3 meters shall bereported in the application for certification.</p> <p>Out of band emissions shall not exceed:</p> <ul style="list-style-type: none">40.0 dBμV/m between 30MHz & 88MHz43.5 dBμV/m between 88MHz & 216MHz46.0 dBμV/m between 216MHz & 960MHz54.0 dBμV/m above 960MHz
Detector:	Peak Scan (9kHz resolution bandwidth for 9kHz to 30MHz; 120kHz resolution bandwidth for 30MHz to 1000MHz)



SGS-CSTC Standards Technical Services Ltd.

Report No.: GLEMO09050134801

Page: 10 of 14

FCC ID: W2MXQ09TOYS49

Test Procedure:

1)9K to 30MHz emissions:

For testing performed with the loop antenna, testing was performed in accordance to ANSI C63.4 section 8.2.1. The center of the loop was positioned 1 m above the ground and positioned with its plane vertical at the specified distance from the EUT. During testing the loop was rotated about its vertical axis for maximum response at each azimuth and also investigated with the loop positioned in the horizontal plane.

2)30MHz to 1GHz emissions:

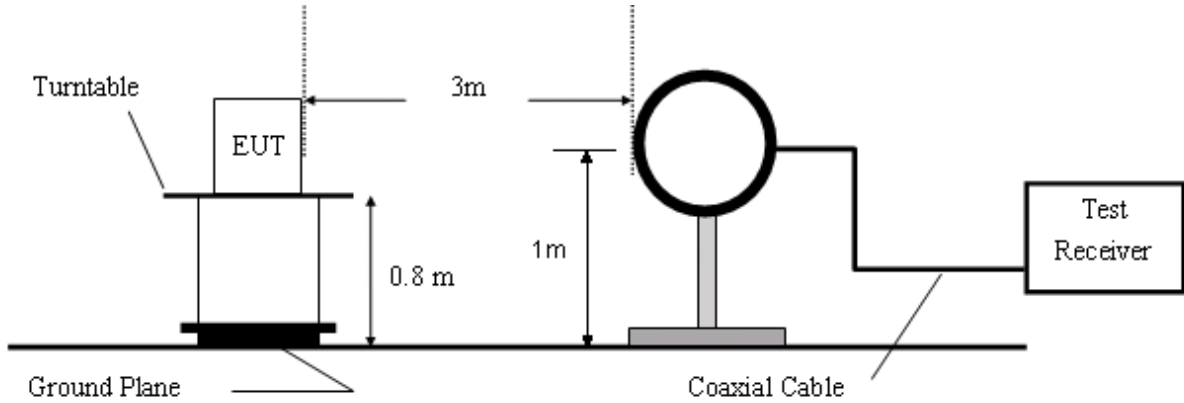
For testing performed with the bi-log type antenna, testing was performed in accordance to ANSI C63.4. The measurement is performed with the EUT rotated 360°, the antenna height scanned between 1m and 4m, and the antenna rotated to repeat the measurement for both the horizontal and vertical antenna polarizations.

3)1GHz to 40GHz emissions:

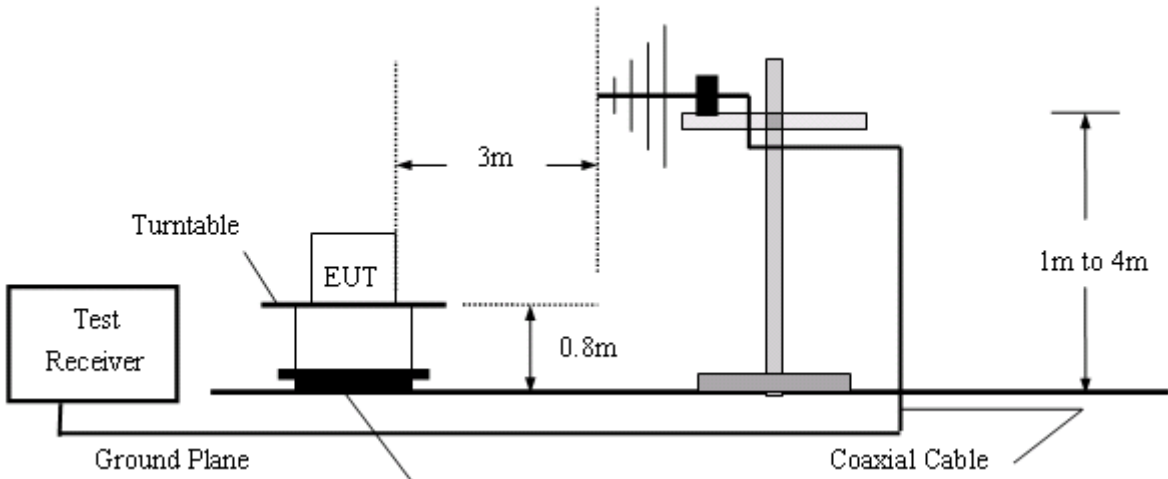
For testing performed with the horn antenna, testing was performed in accordance to ANSI C63.4. The measurement is performed with the EUT rotated 360°, the antenna height scanned between 1m and 4m, and the antenna rotated to repeat the measurement for both the horizontal and vertical antenna polarizations.

Test Configuration:

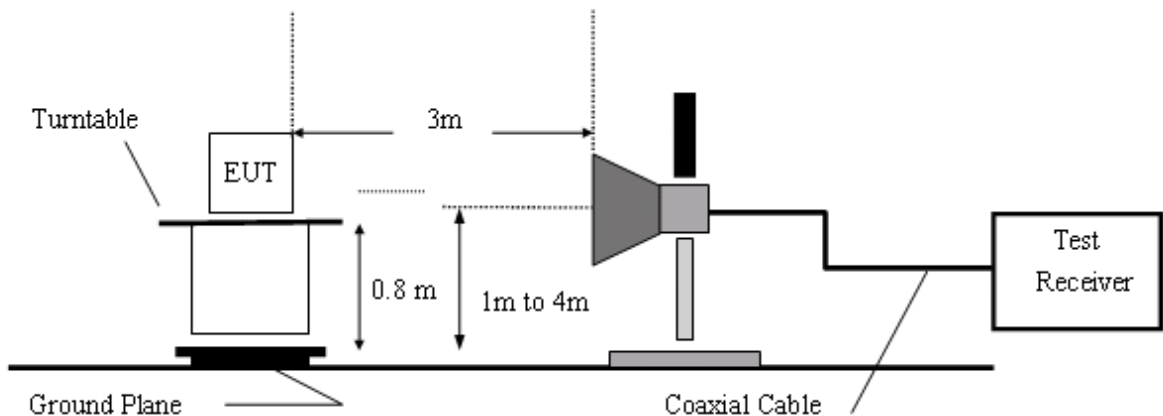
- 1) 9K to 30MHz emissions:



- 2) 30MHz to 1GHz emissions:



- 3) 1GHz to 40GHz emissions:





1) Carrier Emissions :

Vertical:

Frequency (MHz)	Reading Level (dBuV)	Antenna factors (dB/m)	Cable loss(dB)	Preamp factor (dB)	Emission Level (dBuV/m)	Limit (dBμV/m)	Antenna polarization
49.860	77.11	13.35	0.6	24.5	66.56	100.00	Peak
49.860	70.16	13.35	0.6	24.5	59.61	80.00	Average

Horizontal:

Frequency (MHz)	Reading Level (dBuV)	Antenna factors (dB/m)	Cable loss(dB)	Preamp factor (dB)	Emission Level (dBuV/m)	Limit (dBμV/m)	Antenna polarization
49.860	69.01	13.35	0.6	24.5	58.46	100.00	Peak
49.860	64.60	13.35	0.6	24.5	54.05	80.00	Average

Y: EUT as Radiated Emission test setup photograph in section 8 of this report.

X: rotate EUT by 90° clockwise.

Z: rotate EUT by 90° vertically.

According to ANSI Standard C63.4-2003, the portable equipment shall be tested with X, Y, Z axis of the EUT to find the maximum emissions. Other equipment shall be put in normal use status to find the maximum emissions.

2) Unwanted Radiated Emissions

Test Procedure: The procedure used was ANSI Standard C63.4-2003. The receive was scanned from 30MHz to 1000MHz. When an emission was found, the table was rotated to produce the maximum signal strength. An initial pre-scan was performed for in peak detection mode using the receiver. The EUT was measured for both the Horizontal and Vertical polarities and performed a pre-test three orthogonal planes. The worst case emissions were reported.

An initial pre-scan was performed in the 3m chamber using the spectrum analyser in peak detection mode. Quasi-peak measurements were conducted based on the peak sweep graph. The EUT was measured by Bilog antenna with 2 orthogonal polarities

The field strength is calculated by adding the Antenna Factor, Cable Factor & Peramplifier. The basic equation with a sample calculation is as follows:

Final Test Level =Receiver Reading + Antenna Factor + Cable Loss –Peramplifier Factor.

The following test results were performed on the EUT.



SGS-CSTC Standards Technical Services Ltd.

Report No.: GLEMO09050134801

Page: 13 of 14

FCC ID: W2MXQ09TOYS49

Test the EUT in transmitting mode.

Horizontal.

Frequency (MHz)	Read Level (dBuV)	Antenna Factor (dB/m)	Cable Loss (dB)	Preamp Factor (dB)	Level (dBuV/m)	Limit Line (dBuV/m)	Over Limit (dB)
32.91	28.23	21.15	0.5	24.54	25.34	40	-14.66
97.9	37.81	9.72	0.9	24.5	23.93	43.5	-19.57
198.78	53.31	10.58	1.2	24.22	40.87	43.5	-2.63
249.22	37.39	12.12	1.4	24.1	26.81	46	-19.19
347.19	36.47	14.2	1.7	24.47	27.9	46	-18.1
595.51	35.7	18.35	2.1	25.5	30.65	46	-15.35

Vertical.

Frequency (MHz)	Read Level (dBuV)	Antenna Factor (dB/m)	Cable Loss (dB)	Preamp Factor (dB)	Level (dBuV/m)	Limit Line (dBuV/m)	Over Limit (dB)
97.9	39.96	9.72	0.9	24.5	26.08	43.5	-17.42
175.5	41.29	9.65	1.2	24.38	27.76	43.5	-15.74
198.78	53.66	10.58	1.2	24.22	41.22	43.5	-2.28
215.27	47.94	11.5	1.3	24.1	36.64	43.5	-6.86
347.19	35.49	14.2	1.7	24.47	26.92	46	-19.08
595.51	33.92	18.35	2.1	25.5	28.87	46	-17.13

Remark:

According to 15.35 (b) When average radiated emission measurements are specified in the regulations, including emission measurements below 1000 MHz, there is also a limit on the radio frequency emissions, as measured using instrumentation with a peak detector function, corresponding to 20 dB above the maximum permitted average limit for the frequency being investigated unless a different peak emission limit is otherwise specified in the rules, e.g., see Section 15.255.

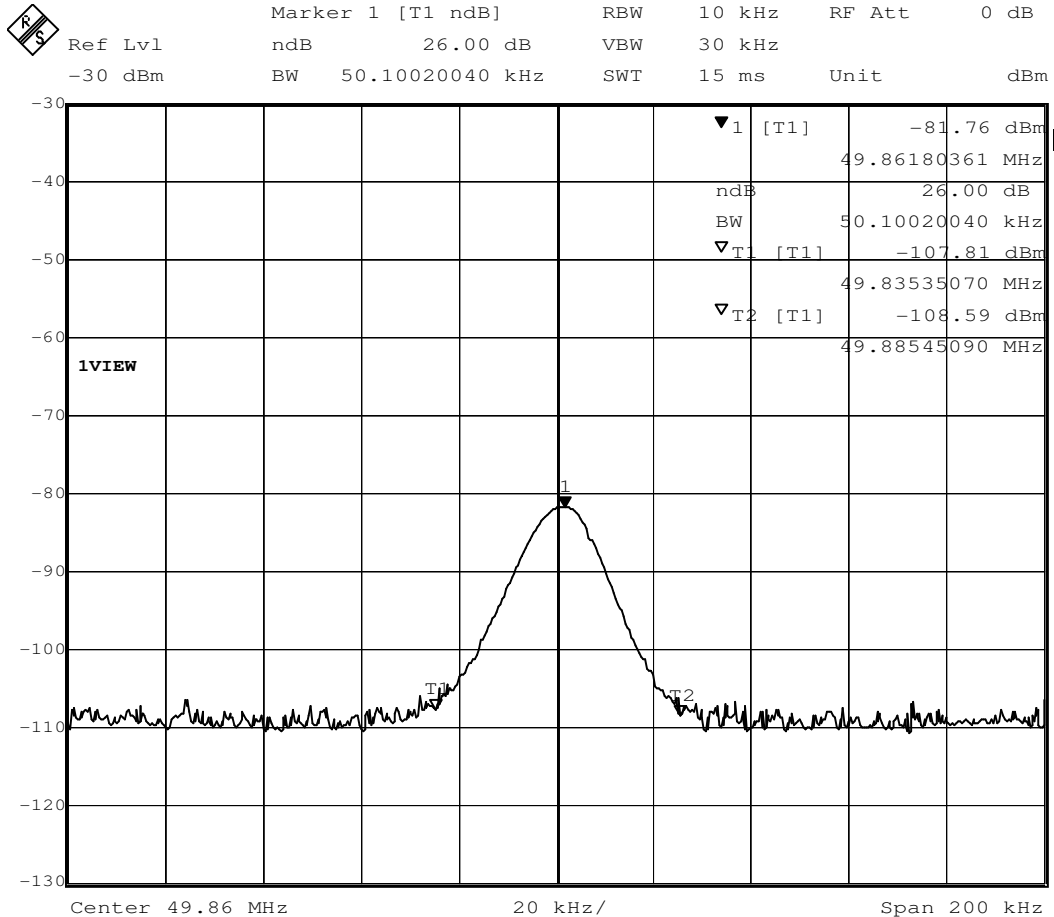
Test Results: The unit does meet the FCC requirements.



7.3 Occupied Bandwidth

Test Requirement: FCC Part 15 C Section 15.235
Test Method: ANSI C63.4-2003 (Revision of ANSI C63.4-2001)
Test Date: 20 May 2009
Requirements: 15.235(b):The field strength of any emissions appearing between the band edges and up to 10 kHz above and below the band edges shall be attenuated at least 26 dB below the level of the unmodulated carrier
Operation within the band 49.81 – 49.91 MHz

Method of measurement: The useful radiated emission from the EUT was detected by the spectrum analyser with peak detector. The vertical Scale is set to 10dB per division. The horizontal scale is set to 20KHz per division. Read the down 26dB bandwidth of the carrier.



Down 26dB Bandwidth: 50.10020040KHz
Operation within the band 49.81 – 49.91 MHz

The results: The unit does meet the FCC requirements

-- End of Report--