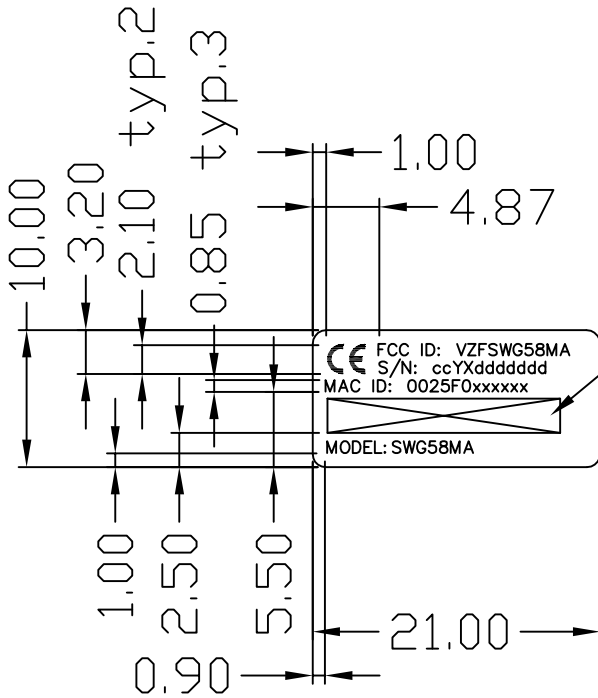
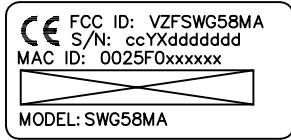
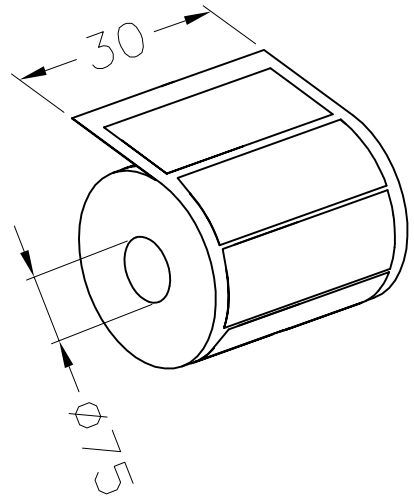


Label Location

REVISIONS				
ZONE	REV	DESCRIPTION	APPD	DATE
	X1	FIRST DESIGN	BEN NG	23 APR 2009



MAC ID BARCODE(128) AREA

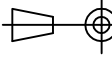


NOTES:

1. MATERIAL: 0.05mm THICKNESS POLYESTER FILM LABEL(FOR BRADY PRINTER 600).
2. THE LABEL IS PRINTED BY PRODUCTION.
3. FINISH: POLISHED.
4. RIBBON TYPE: IMTL, RIBBON RICOH B110CR.
5. THE PART NEED BE RoHS COMPLIANT.
6. SUPPLIER LETTER OF SELF-DECLARATION ANF RoHS TESTING REPORT MUST BE PRESENT ALONG WITH FIRST ARTICLE SUBMISSION.

	QTY
--	-----

TOLERANCES
UNLESS OTHERWISE SPECIFIED
DIMENSIONS ARE IN MM
DECIMALS ANGULAR
.X ± 0.25 ± 1
.XX ± 0.13

DO NOT SCALE 
IF IN DOUBT ASK

MODEL NO	
PART NO	
DWN BEN NG	DATE 23 APRIL 2009
CKD	DATE
APPD	DATE
CAD FILENAME FCC LABEL-SWG58MA.dwg	

SUGA ELECTRONICS LTD.

WARNING
THIS DOCUMENT IS THE
PROPERTY OF SUGA ELECTRONICS
OR ITS CLIENTS AND CONTAINS
CONFIDENTIAL AND TRADE
SECRET INFORMATION OF
SUGA ELECTRONICS OR ITS CLIENTS.

FCC LABEL- SWG58MA			
SCALE 2 : 1	DWG NO	SHEET 1 OF 1	REV X1

A	B	C	D
---	---	---	---