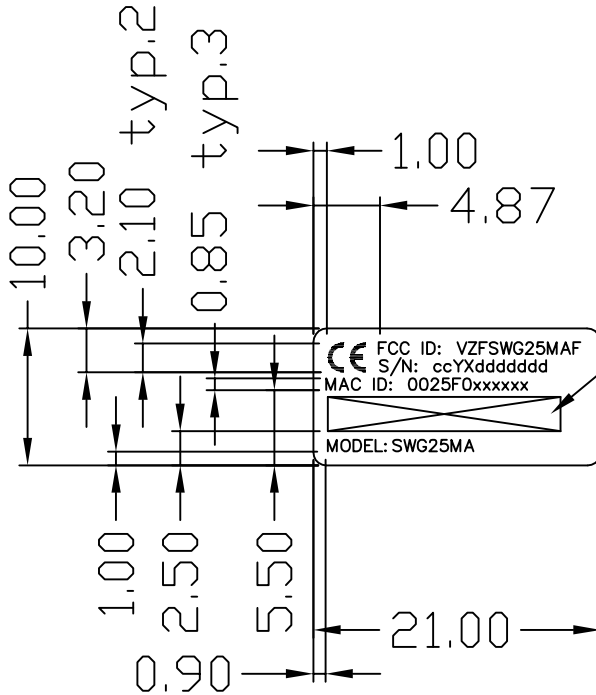
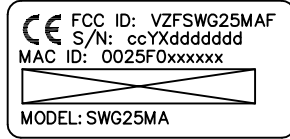
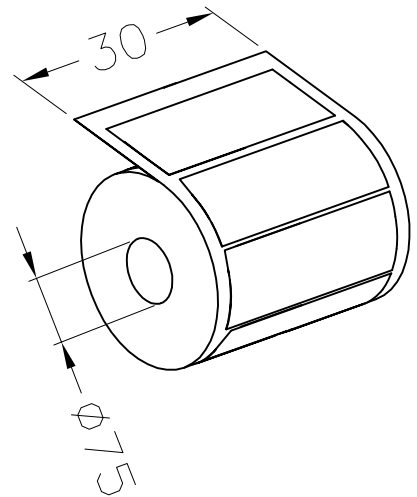


Label Location

A		B		C		D	
REVISIONS							
ZONE	REV	DESCRIPTION				APPD	DATE
	X1	FIRST DESIGN				BEN NG	23 APR 2009



MAC ID BARCODE(128) AREA



NOTES:

- MATERIAL: 0.05mm THICKNESS POLYESTER FILM LABEL(FOR BRADY PRINTER 600).
- THE LABEL IS PRINTED BY PRODUCTION.
- FINISH: POLISHED.
- RIBBON TYPE: IMTL, RIBBON RICOH B110CR.
- THE PART NEED BE RoHS COMPLIANT.
- SUPPLIER LETTER OF SELF-DECLARATION ANF RoHS TESTING REPORT MUST BE PRESENT ALONG WITH FIRST ARTICLE SUBMISSION.

	QTY
--	-----

TOLERANCES
UNLESS OTHERWISE SPECIFIED
DIMENSIONS ARE IN MM
DECIMALS ANGULAR
.X ± 0.25 ± 1
.XX ± 0.13

DO NOT SCALE IF IN DOUBT ASK

MODEL NO
PART NO
DWN BEN NG DATE 23 APRIL 2009

CKD DATE
APPD DATE
CAD FILENAME
FCC LABEL-SWG25MA.dwg

SUGA ELECTRONICS LTD.

TITLE
FCC LABEL- SWG25MA

WARNING
THIS DOCUMENT IS THE
PROPERTY OF SUGA ELECTRONICS
OR ITS CLIENTS AND CONTAINS
CONFIDENTIAL AND TRADE
SECRET INFORMATION OF
SUGA ELECTRONICS OR ITS CLIENTS.

SCALE 2 : 1 DWG NO SHEET 1 OF 1 REV X1

A	B	C	D