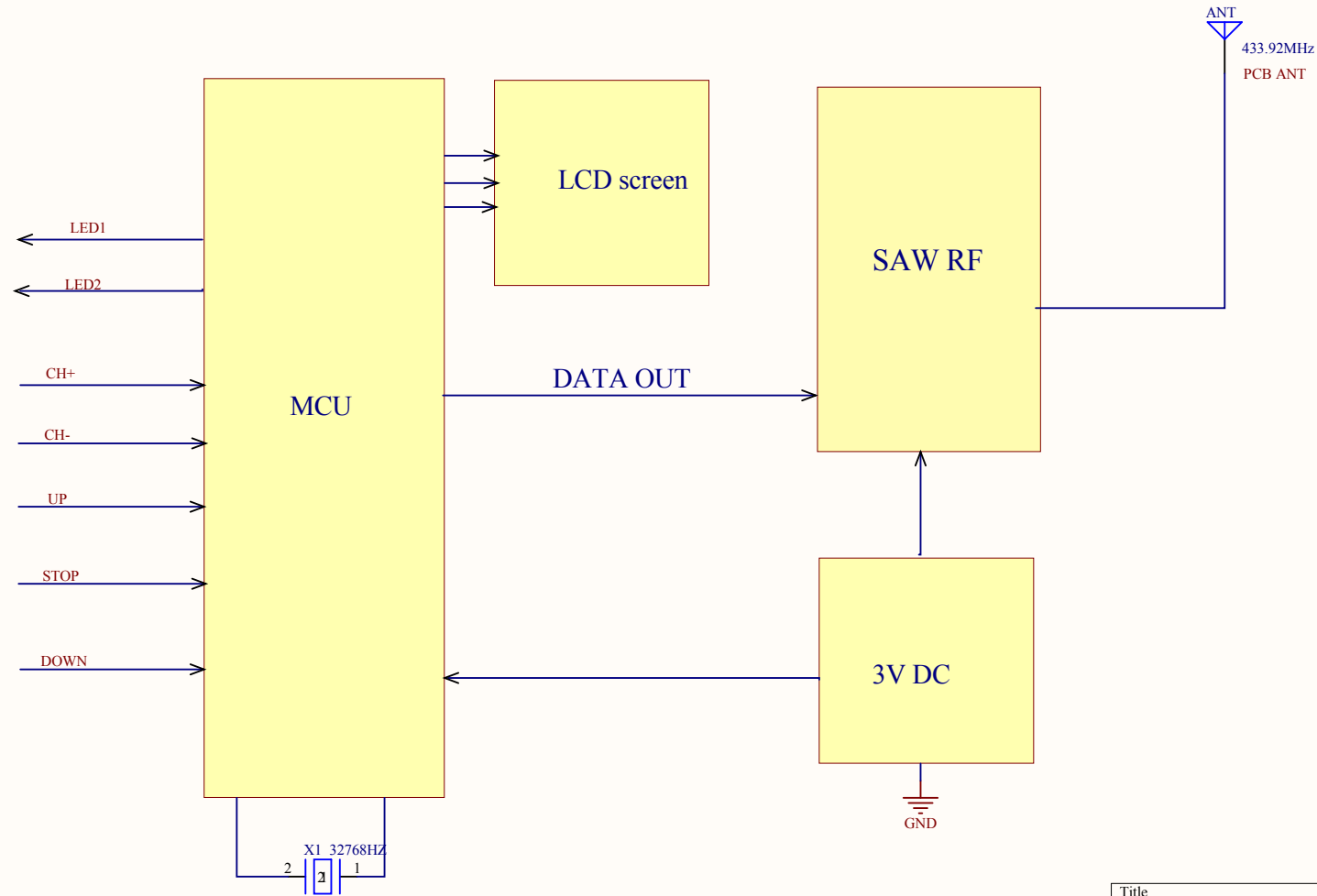


DC106/DC107/DC313/DC411/DC386 BLOCK DIAGRAM



Title		
Ningbo Dooya Mechanic & Electronic Technology Co.,Ltd		
Size	Number	Revision
A4		
Date:	2011-6-17	Sheet of
File:	E:\ \ADC106	V00.SchDoc Drawn By: