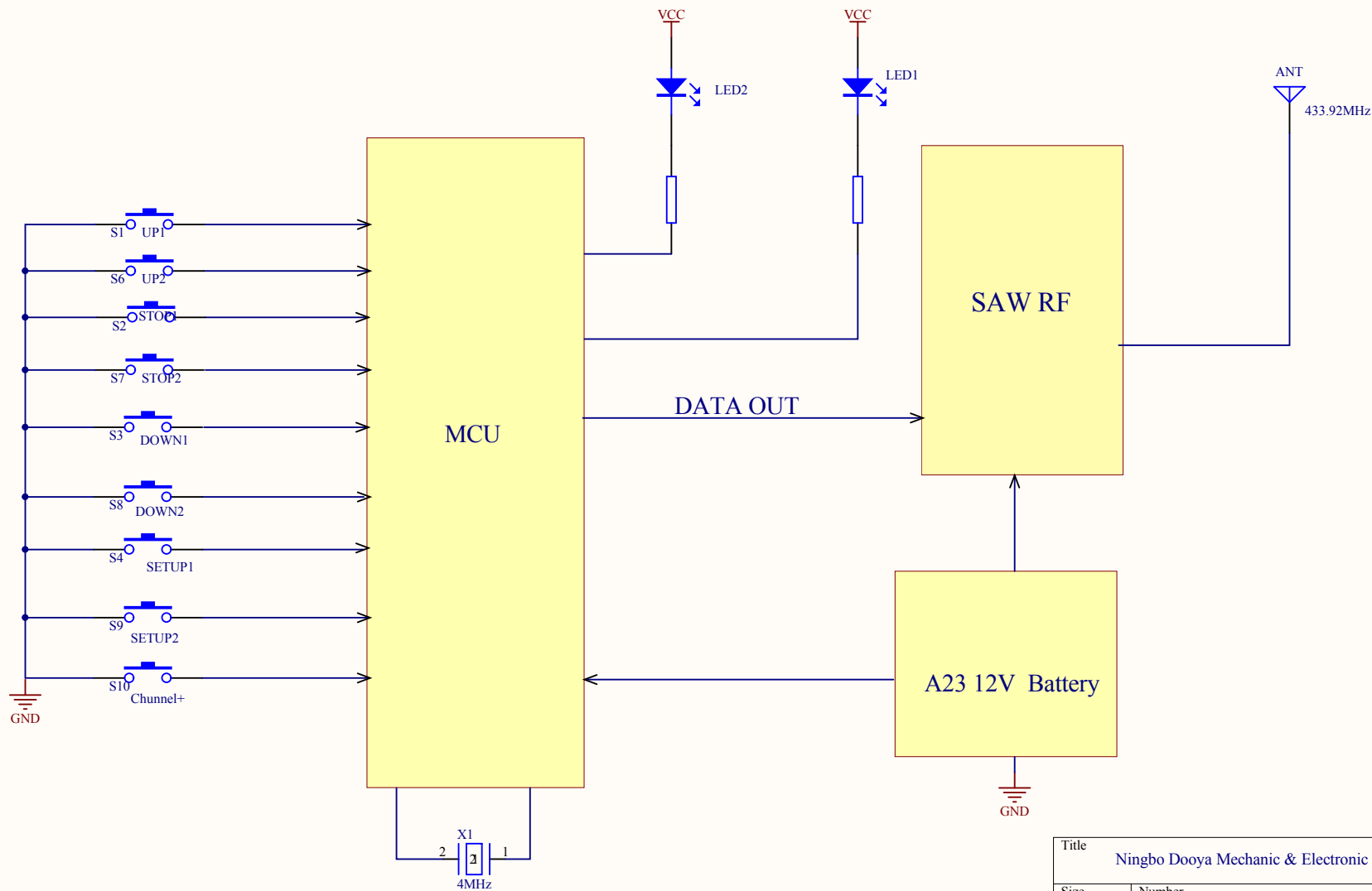


DC146/DC147 BLOCK DIAGRAM



Title		
Ningbo Dooya Mechanic & Electronic Technology Co.,Ltd		
Size	Number	Revision
A4		
Date:	2011-7-25	Sheet of
File:	E:\ \ADC147	V00.SchDoc Drawn By: