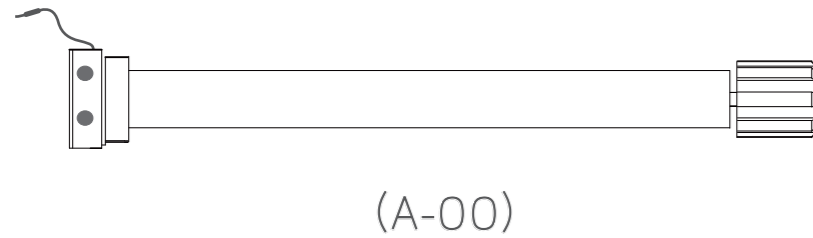
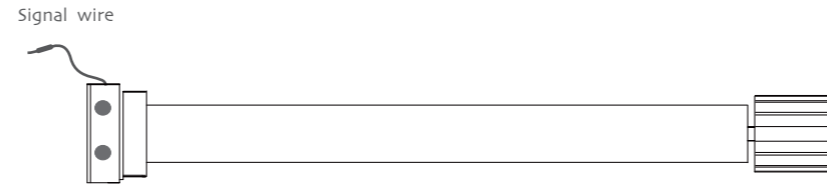


Tubular Motor-DM18LE/S Specification



Product introduction

⚠ Note: When the battery power is low, you can hear the alarm ten "beep" every time the motor runs. It indicates the battery needs to be charged. Then plug in the charger with red light. The light turns green when the battery is fully charged.



Functional features:

- Integrated radio control
- Setting up+add emitter+delete emitter
- Motor direction setting option
- Resistance stop function
- Jogging&tilt function
- Set electronic limit
- Set /delete the third limit position
- Low standby power

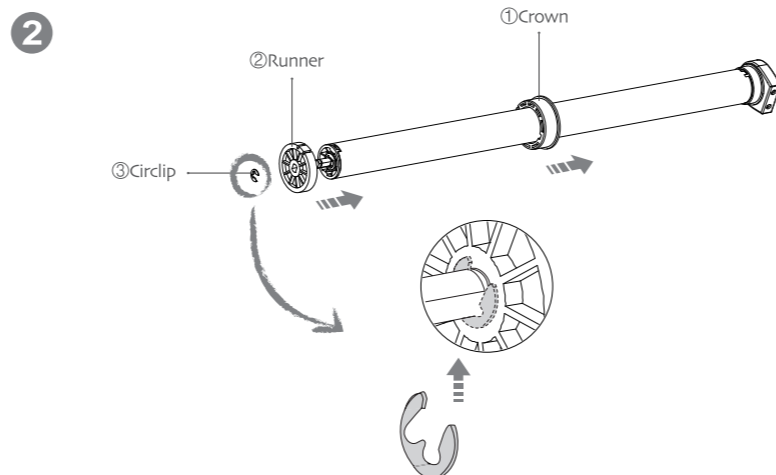
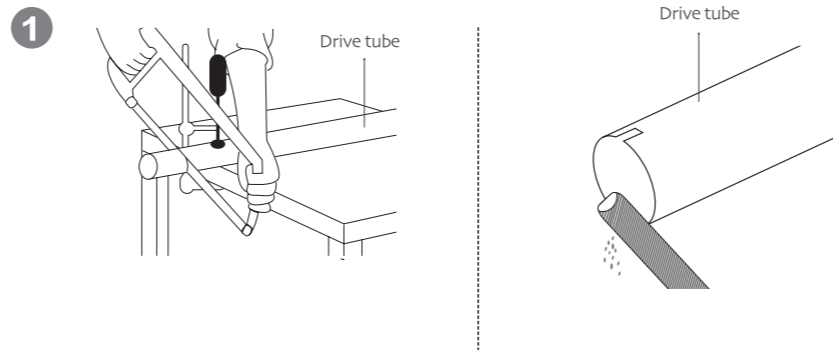


Parameter

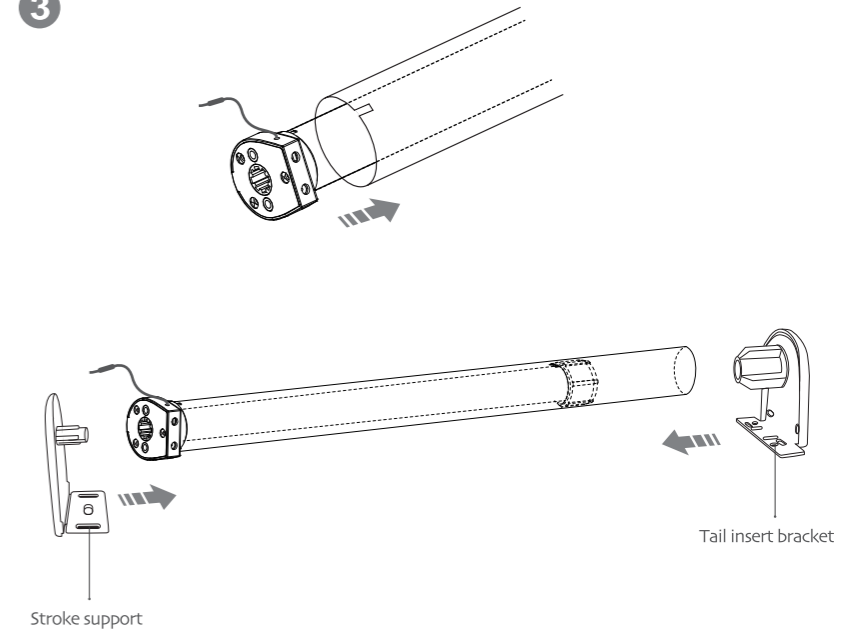
Type	DM18LE/S
Rated Torque(N.m)	0.2N.m
Rated speed(RPM)	80RPM
Rated Voltage(V)	12V
Emission frequency(MHz)	433.925MHz

Motor Installation

- ①Driving tube must be close-fitting with crown and drive adapter.
- ②Choose crown and drive adapter based on the driving tube.

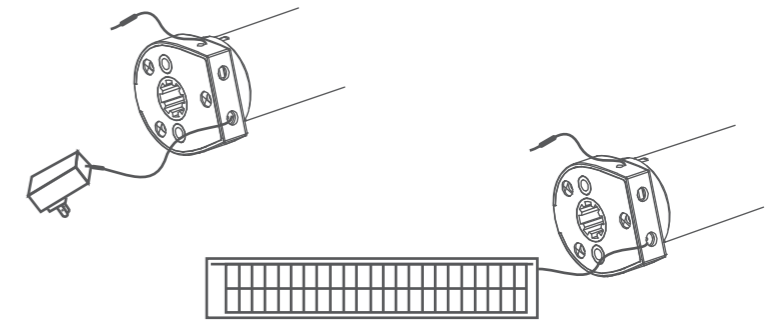


3



Rechargeable Description

⚠ The motor has a built-in battery, using the charger to recharge. You can also use solar panels to charge; when the battery is low, insert the charge, charger light shows red light. Batteries are full when the red light turns to green.



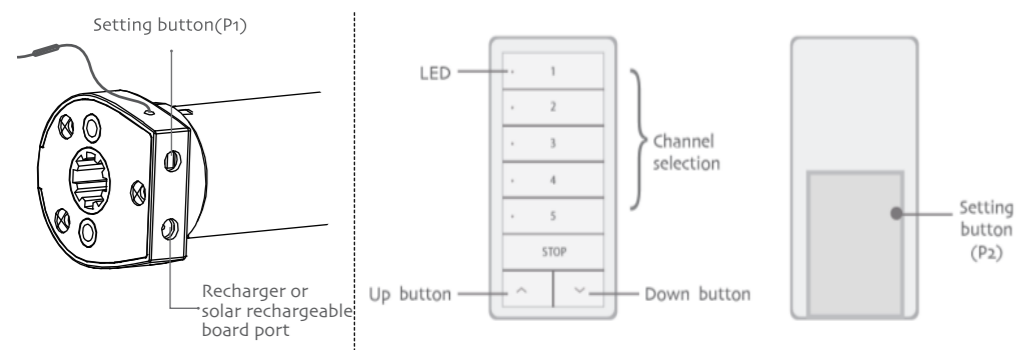
Operation note

⚠ Please read the following precautions before use:

1. Please charge the battery and make sure it is fully charged before the first use.
2. Don't operate motors when in low voltage alarm:
 - ①Motor stop running when the supply voltage is lower than 7V, and it will restart again when the voltage is greater than 7.5V.
 - ②If the voltage is less than 10V, the motor will alarm for 10 times to prompt it needs to be charged every time when the motor is working.
3. Operating:
 - ①The valid interval of the emitter button is 10s, the emitter will quit the set after 10s.
 - ②The motor will run or beep for hint, please do the next step after the hint.
4. Set limit position:
 - ①After the up limit and down limit setting, and the up limit down limit and third limit position are at the same location.
 - ②After limit setting, with power and memory function;
 - ③Into the match-code status 2 minutes later, it will quit out the setting limits status automatically.
 - ④It will delete every memory and restore the factory settings.
5. When the motor running without any operation, the maximum running time is 6 minutes, it will stop automatically.
6. If the emitter is lost, please set up again with new emitter.



Button specification



FACTORY MODE

1 Setting up

If you need to reverse the rotation of the motor controlled by the emitter, please run the reverse of direction setting (as lists in the second point of the P1 button setting)



2 The reverse of direction setting

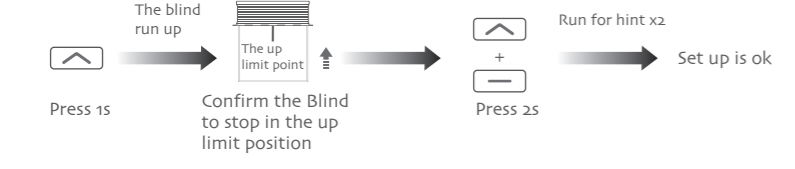


3 limit position

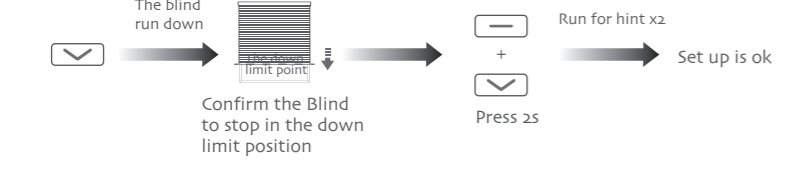
1, Enter the limit setting mode



2, Set up limit (Up->Up+Stop)



3, Set down limit (Down->Stop+Down)

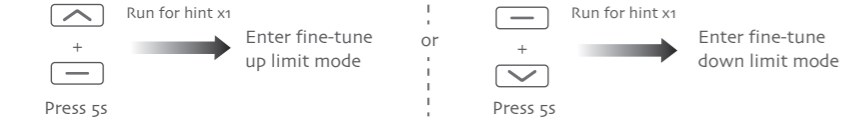


Note: After setting up the up and down limit into user mode.

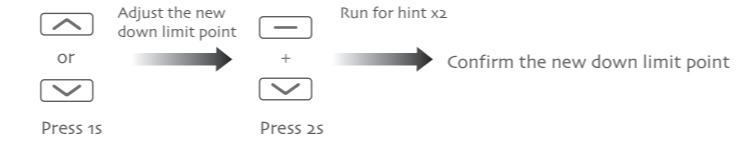
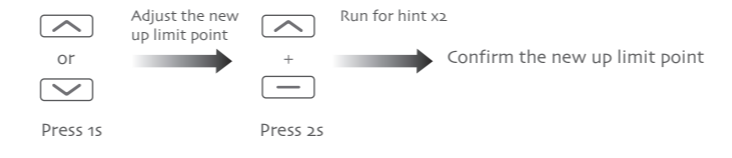
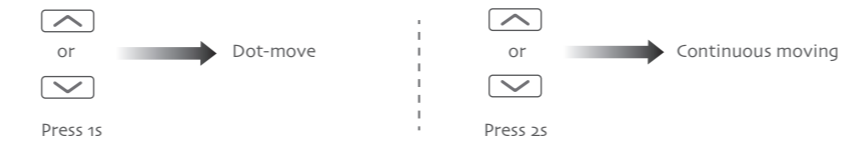
USER MODE

1 Fine-tune up/down limit position

Enter the limit setting mode



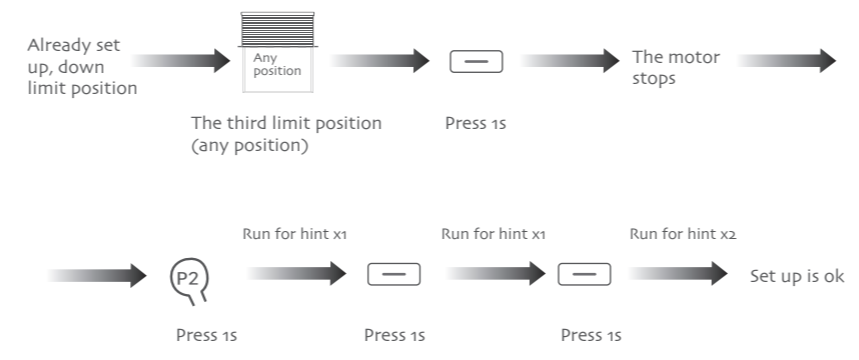
Note: Can not be fine-tune up/down limit position at the same time.



2 The third limit position setting

1, The third limit position setting

① After the up limit and down limit setting, you can set the third limit point between them as the half open position;

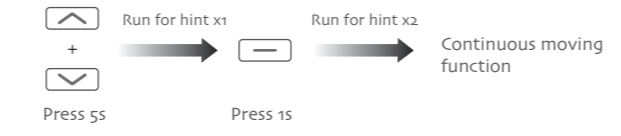


② Long press the stop button for 25s, the roller blinds will move to the third limit

2, The third limit cancel (P2->Stop->Stop)



3 Dot-move/Continuous moving function switch



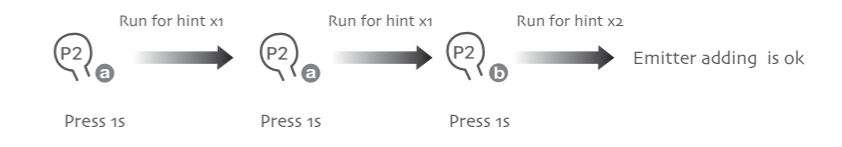
Notes: Repetitive operation dot-move and continuous moving function switching cycle, under the dot-move function, according to the up or down button more than 25s release motor linkage operation.

4 Add Emitter

Method one

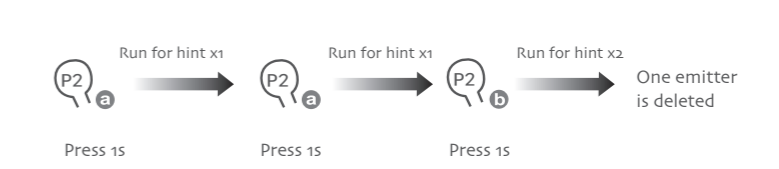


Method two P2 a->P2 a->P2 b



Note: Emitter a is the one already matched code, while emitter b has not

5 Delete one emitter

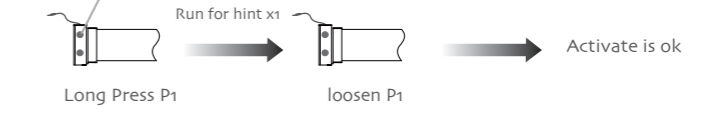


Note: With the same method, you only can delete the emitter b not the emitter a

P1 BUTTON OPERATION

Functions that can be operated under any mode

1, Activate motor for the first time



2, The reverse of direction setting



3, Restore factory settings



FAULT AND SOLUTION

NUMBER	PHENOMENON	REASON	PROCESSING METHOD
1	The motor alarms when it is working	The voltage is low in the alarm mode	Charge the battery
2	The motor is not running	a, The battery is not activated. b, The emitter is not matched. c, If press P1 button for a long time while with no reaction, may be the power is short-circuit or the circuit board or the motor is broken.	a, Activate the motor after fully charged b, Set up the match code c, Contact the engineers for after-sales

FCC Statements:

This equipment has been tested and found to comply with the limits for a Class B digital device, pursuant to Part 15 of the FCC Rules. These limits are designed to provide reasonable protection against harmful interference in a residential installation.

This equipment generates, uses and can radiate radio frequency energy. However, there is no guarantee that interference will not occur in a particular installation. If this equipment does cause harmful interference to radio or reception, which can be determined by turning the equipment off and on, the user is encouraged to try to correct the interference by one or more of the following measures:

- Reorient or relocate the receiving antenna.
- Increase the separation between the equipment and receiver.
- Connect the equipment into an outlet on a circuit different from that to which the receiver is connected.
- Consult the dealer or an experienced technician for help.

This device complies with part 15 of the FCC Rules. Operation is subject to the following two conditions:

- 1) This device may not cause harmful interference, and
- 2) This device must accept any interference received, including interference that may cause undesired operation.

MODIFICATION: Any changes or modifications not expressly approved by the grantee of this device could void the user's authority to operate the device.

IC Statements:

-English:

This device complies with Industry Canada RSS standard(s). Operation is subject to the following two conditions: (1) this device may not cause interference, and (2) this device must accept any interference, including interference that may cause undesired operation of the device.

2. Changes or modifications not expressly approved by the party responsible for compliance could void the user's authority to operate the equipment.

-French:

Le présent appareil est conforme aux CNR d'Industrie Canada applicable aux appareils radio

Exempt de licence. L'exploitation est autorisée aux deux conditions suivantes :

(1) l'appareil ne doit pas produire de brouillage, et (2) l'utilisateur de l'appareil doit accepter tout brouillage radioélectrique subi, même si le brouillage est susceptible d'en compromettre le fonctionnement."