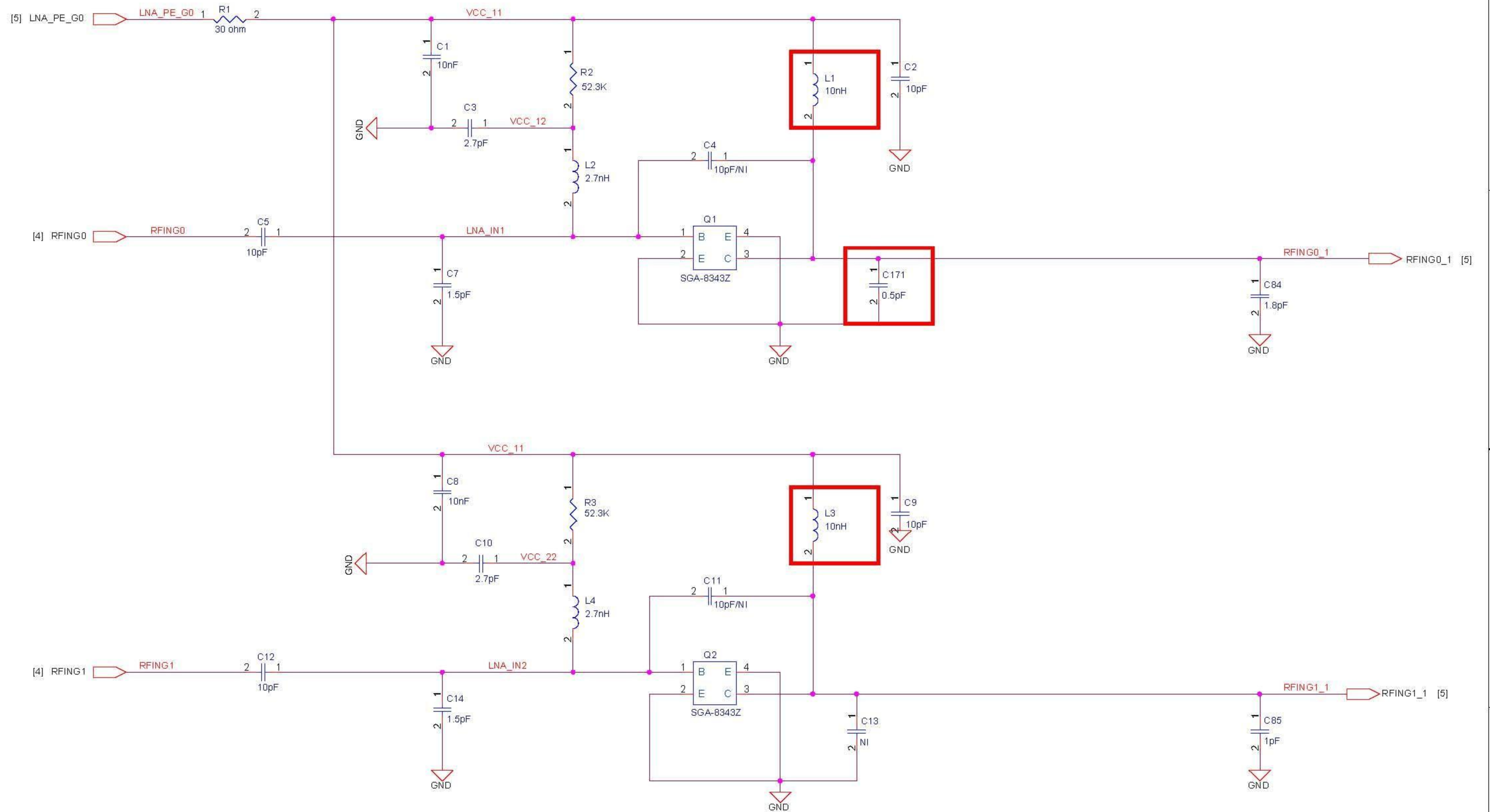


Filename:  
MPCI-RT3062-V30RC-EFUSE-2X2-090803.DSN

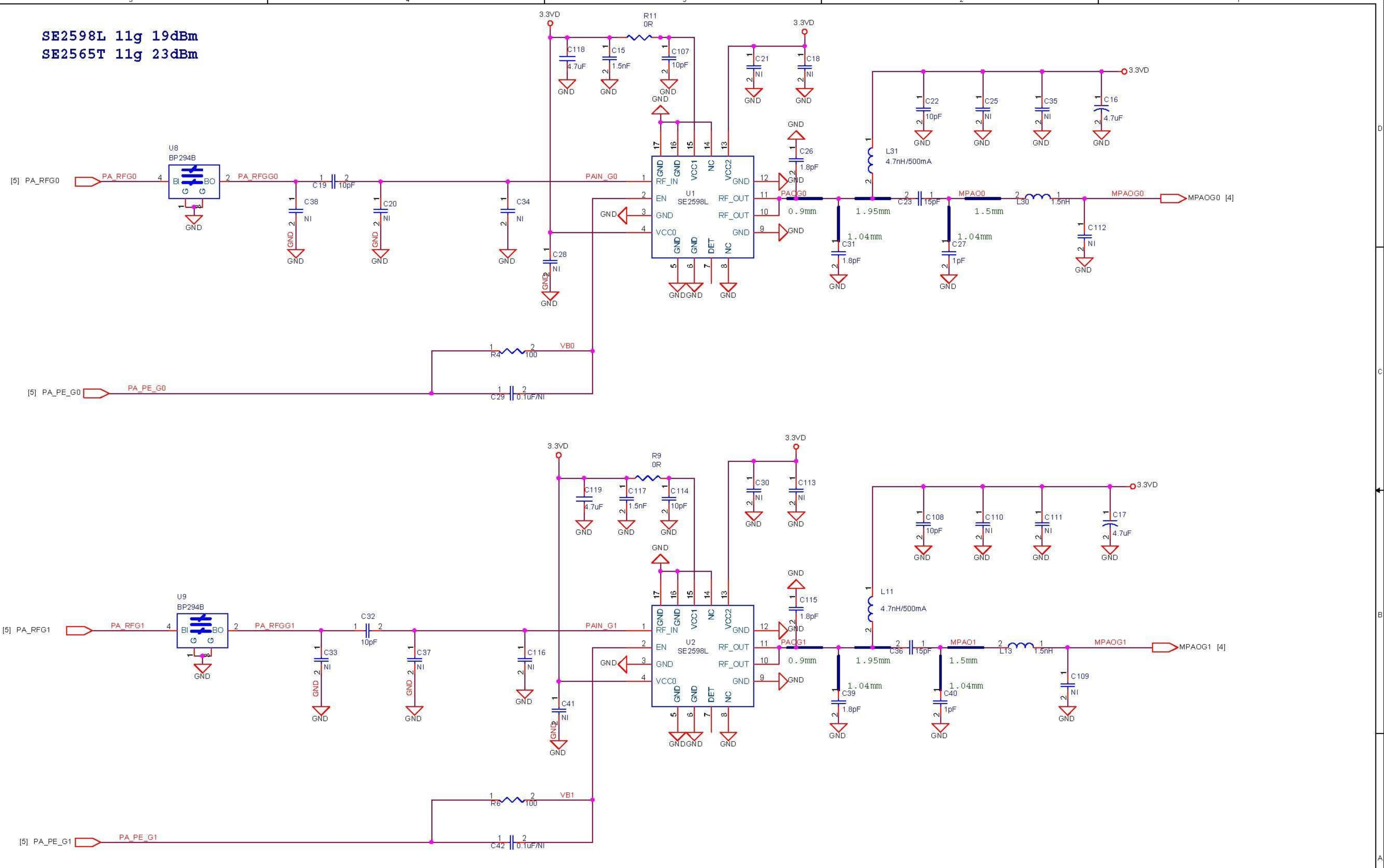
Title		2.4GHz Mini PCI MIMO - RT3062	
Size	Document Number	MPCI-RT3062-V30RC-eFuse.SCH	
Date:	Monday, May 17, 2010	Sheet	1 of 7
Rev		3.0	



Title		
2.4GHz LNA		
Size	Document Number	Rev
B	1-LNA.SCH	3.0
Date:	Monday, May 17, 2010	Sheet 2 of 7



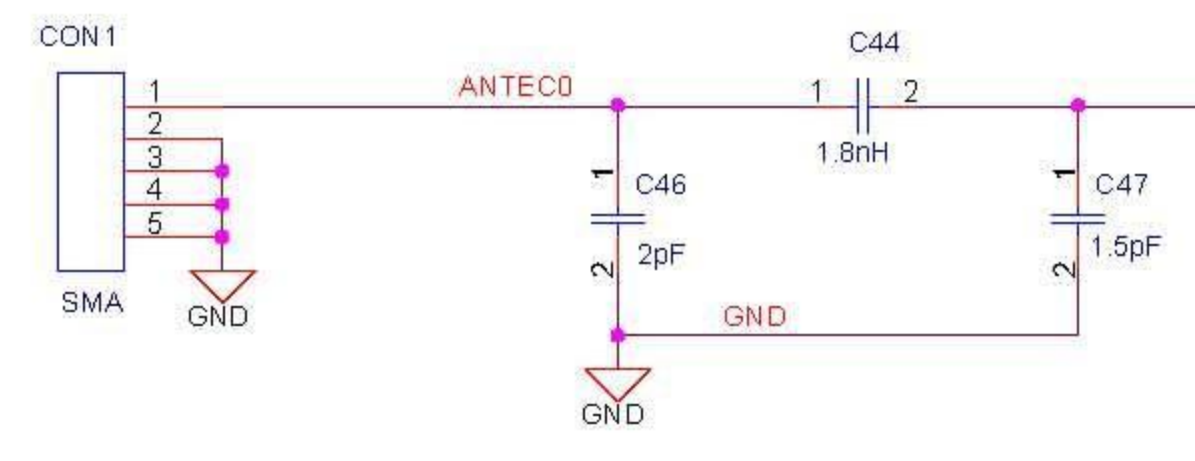
SE2598L 11g 19dBm  
SE2565T 11g 23dBm



Title		2.4GHz PA
Size	Document Number	Rev
A3	2-PA-SE2598L.SCH	3.0
Date:	Monday, June 28, 2010	Sheet 3 of 7

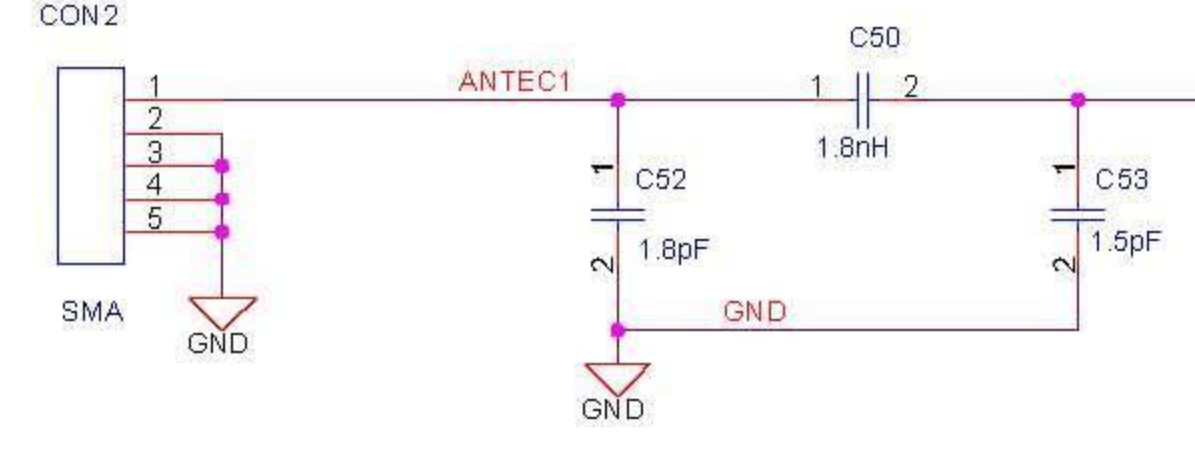


(ANTENNA0)  
(TX0/RX0)



[3] MPAOG0 MPAOG0

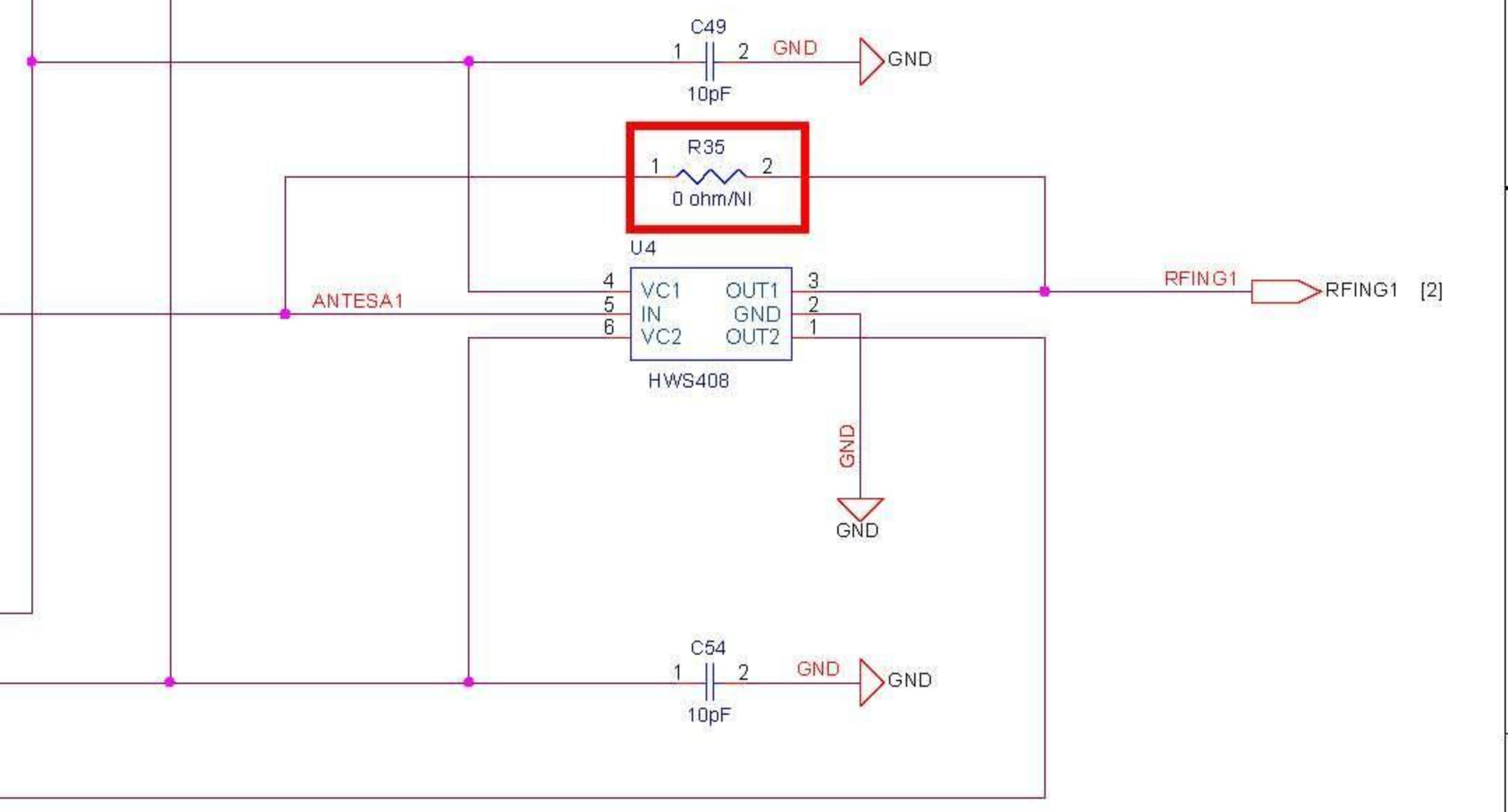
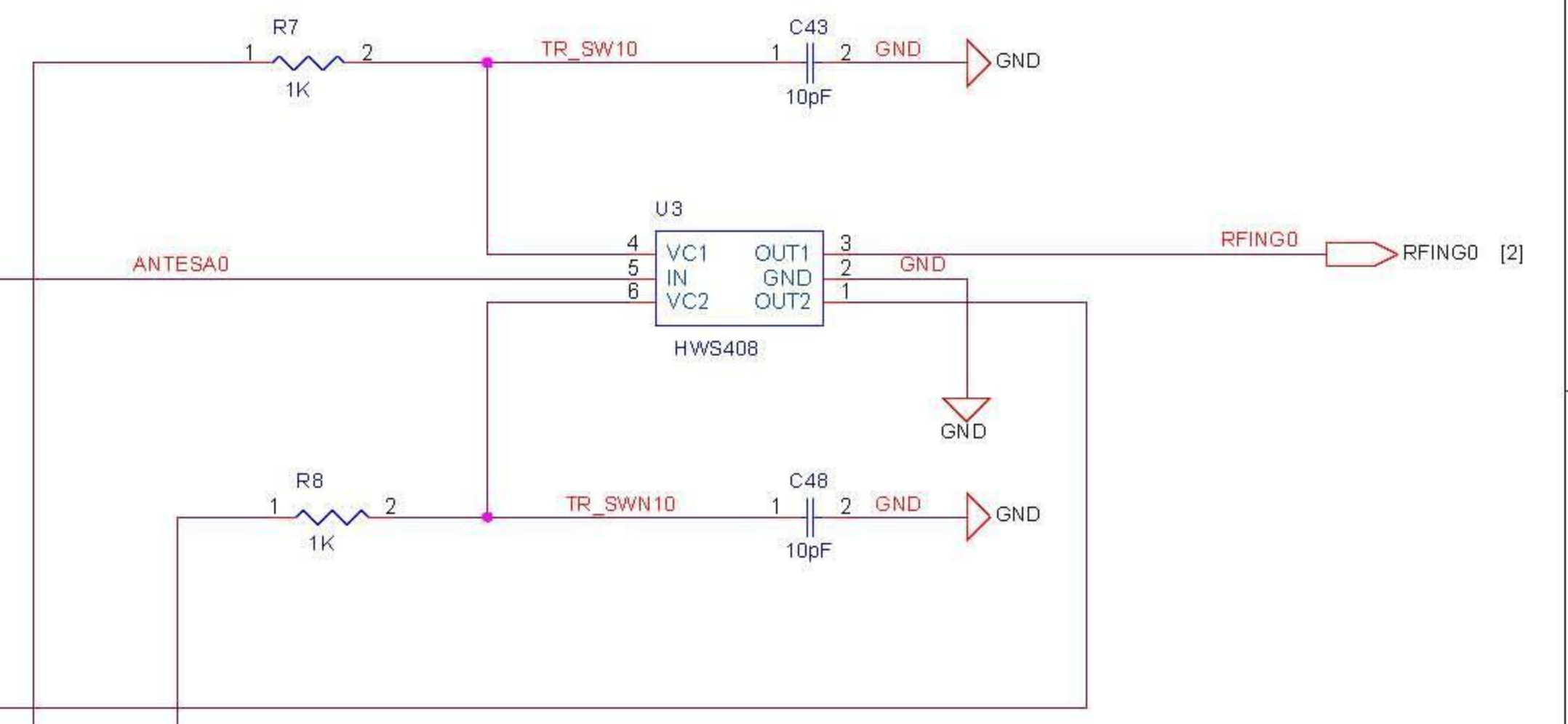
(ANTENNA1)  
(TX1/RX1)



[5] TR\_SW0 TR\_SW0

[5] TR\_SWN0 TR\_SWN0

[3] MPAOG1 MPAOG1

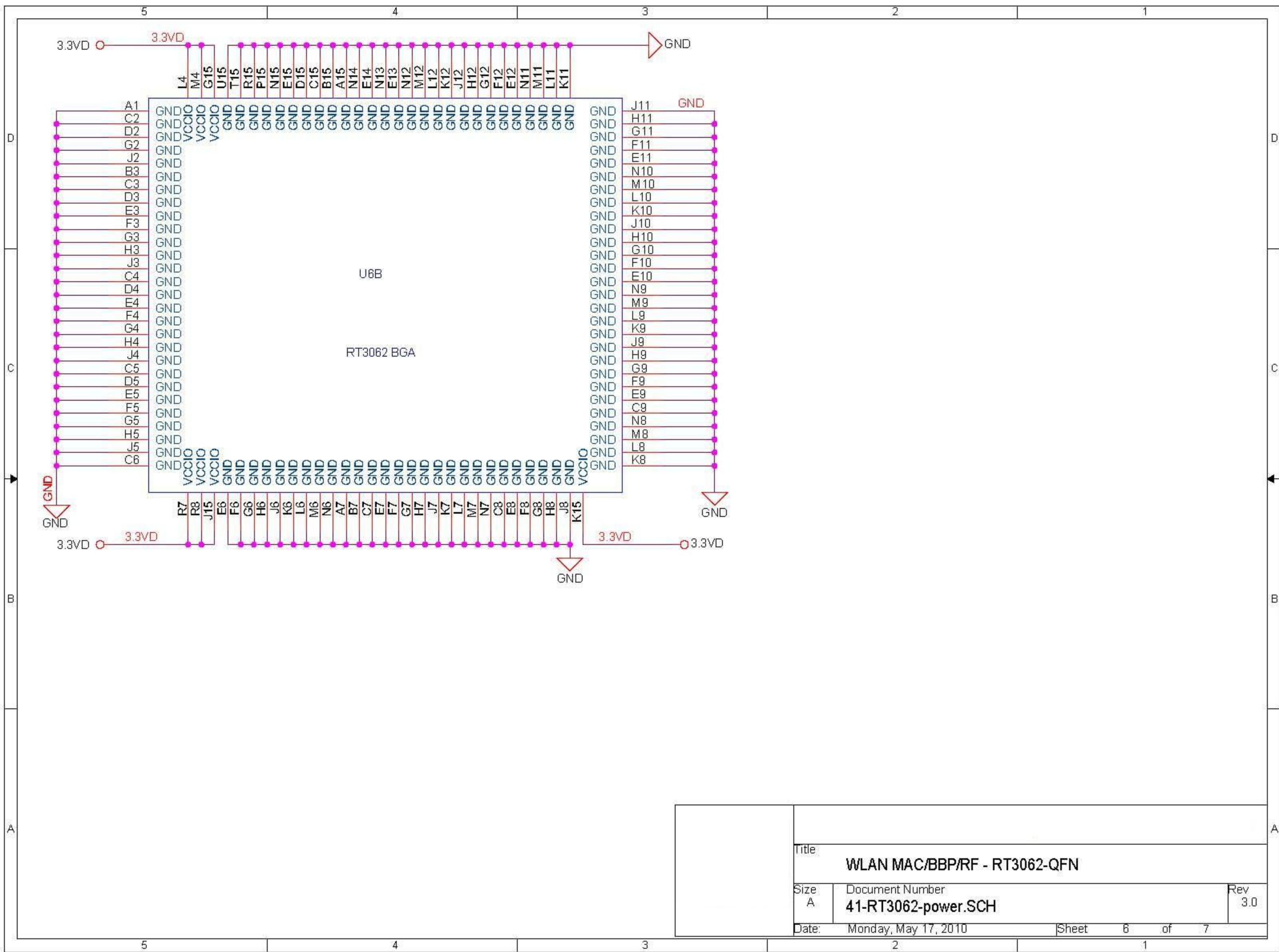


Title		Front-End	
Size	Document Number	Rev	
B	3-FrontEnd.SCH	3.0	
Date:	Monday, May 17, 2010	Sheet	4 of 7



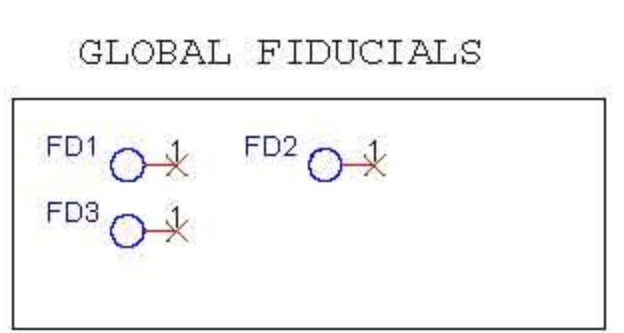
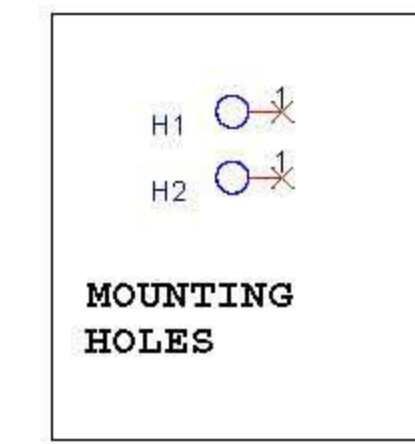
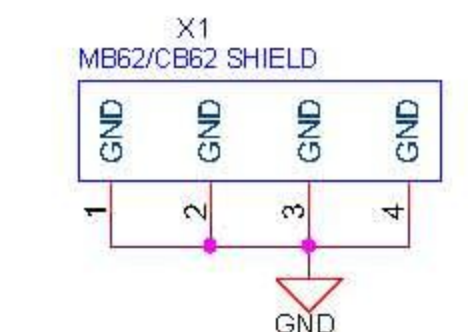
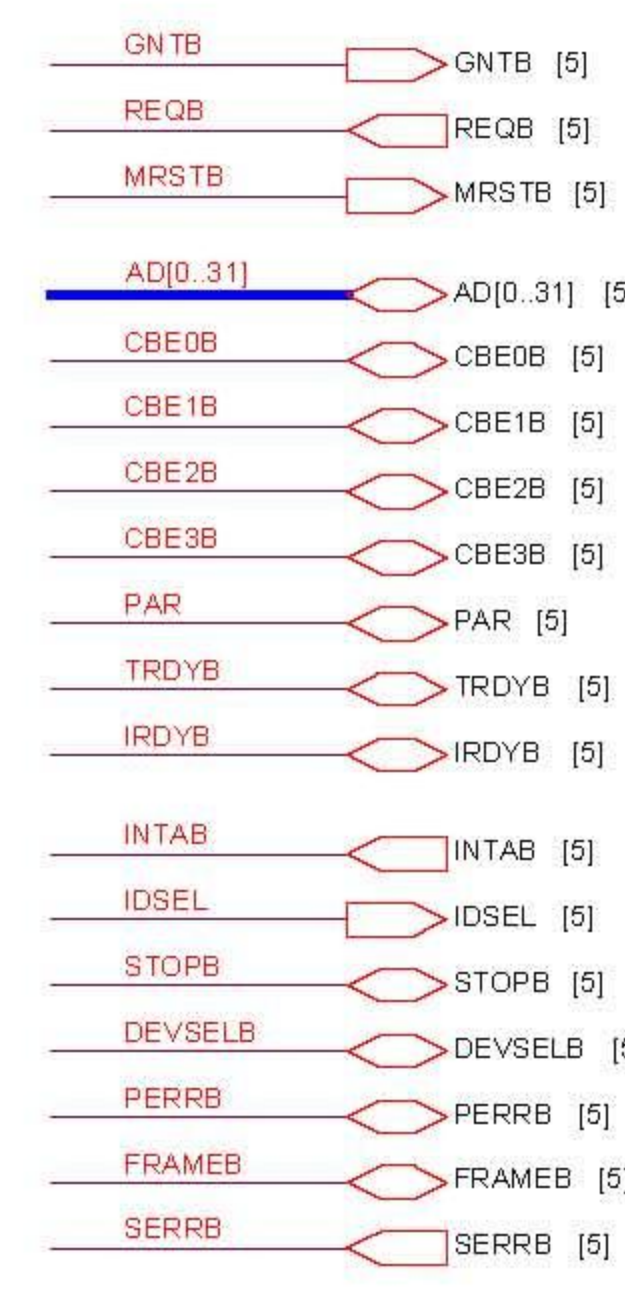
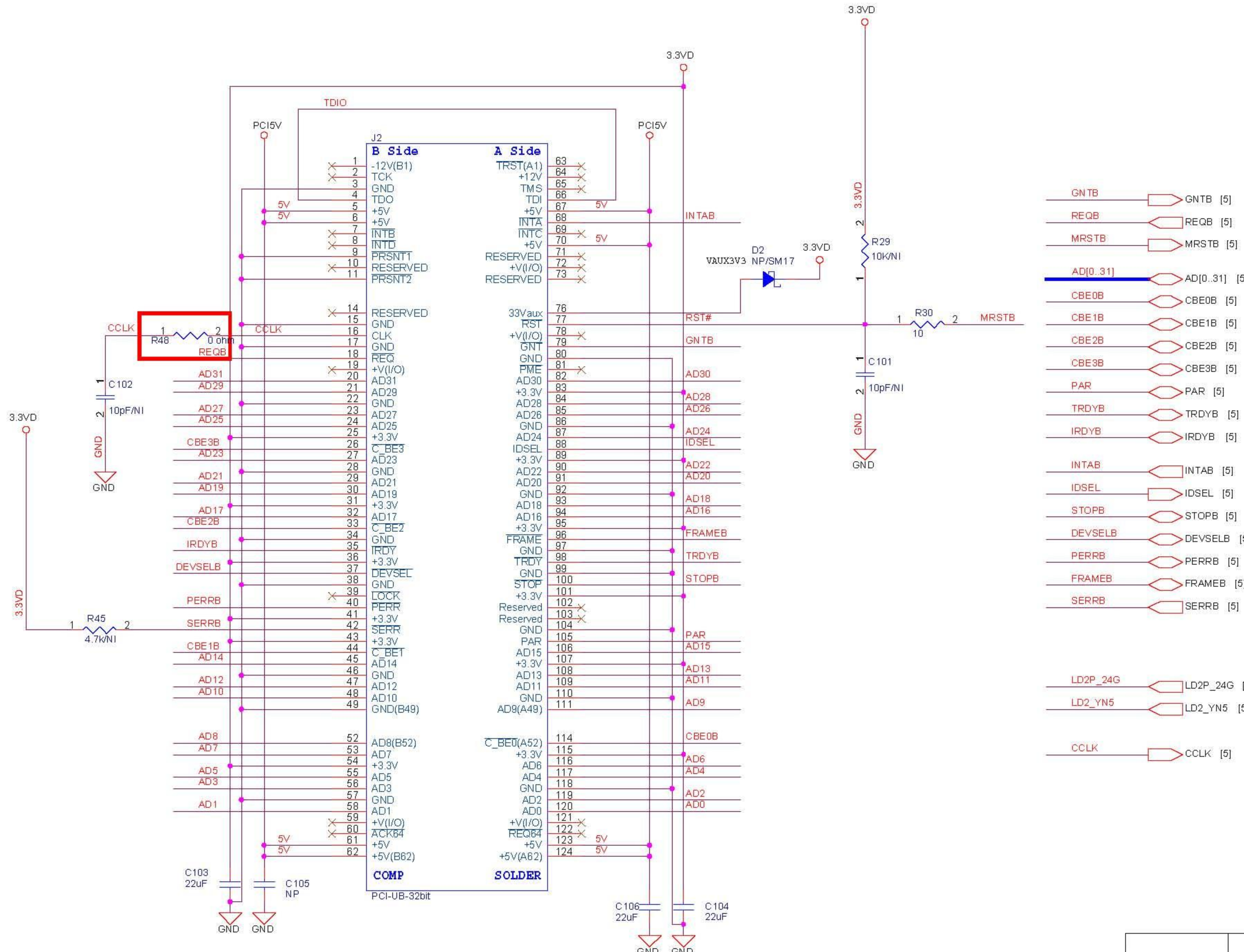






Title		WLAN MAC/BBP/RF - RT3062-QFN	
Size	Document Number	Rev	
A	41-RT3062-power.SCH	3.0	
Date:	Monday, May 17, 2010	Sheet	8 of 7





Title		
Mini PCI Interface and Power		
Size	Document Number	Rev
B	5-PCI.SCH	3.0
Date:	Monday, May 17, 2010	Sheet 7 of 7