

1.0 EXTERNAL PHOTOS



Project Number:
Model Number:

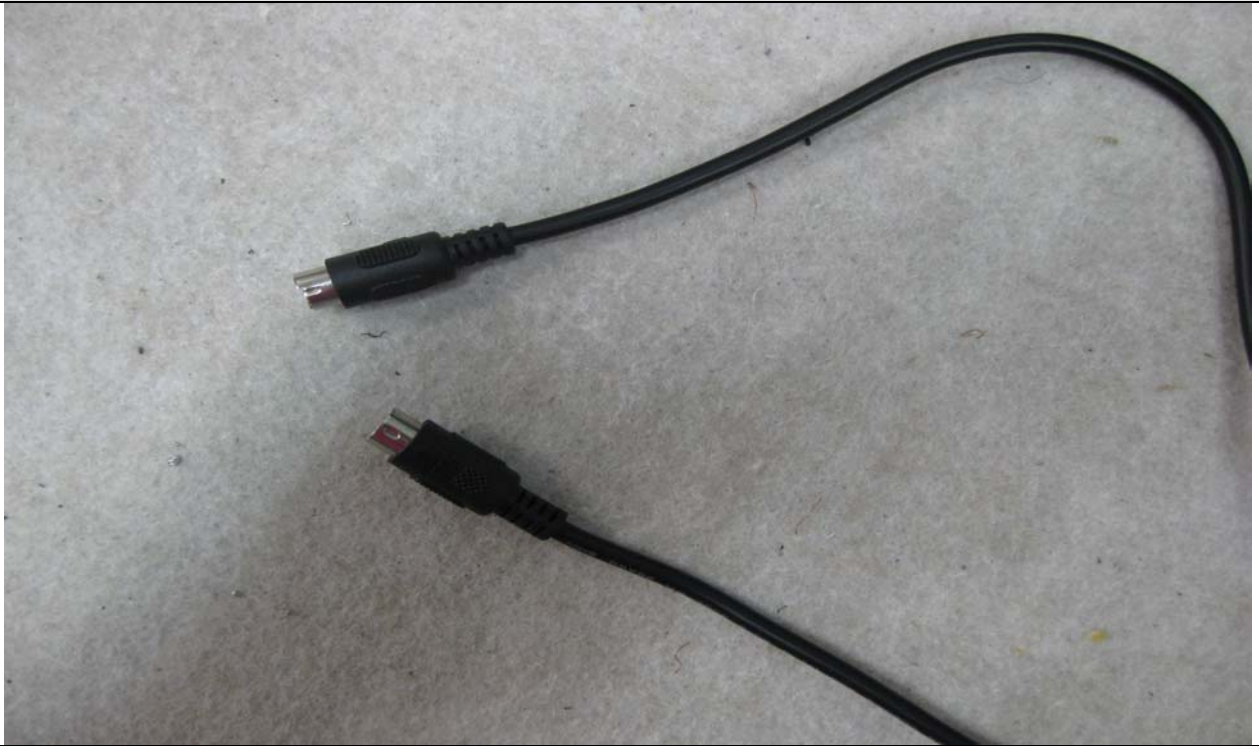
09CA10146-1
AMVX2408

File Number

TC8352

Test Report No: 09CA10146-1-FCC
Date of Issue: May 6, 2009

S-Video cable



Power cable



DVI cable



D-SUB cable



Project Number:
Model Number:

09CA10146-1
AMVX2408

File Number

TC8352

Test Report No: 09CA10146-1-FCC
Date of Issue: May 6, 2009

AC/DC Adapter (Manufacturer: BridgePower. Model: JMW1150KA2400F04)



AC/DC Adapter Label (Manufacturer: BridgePower. Model: JMW1150KA2400F04)



Project Number:
Model Number:

09CA10146-1
AMVX2408

File Number

TC8352

Test Report No: 09CA10146-1-FCC
Date of Issue: May 6, 2009

AC/DC Adapter (Manufacturer: Protek Model: PMP150-14-K11)



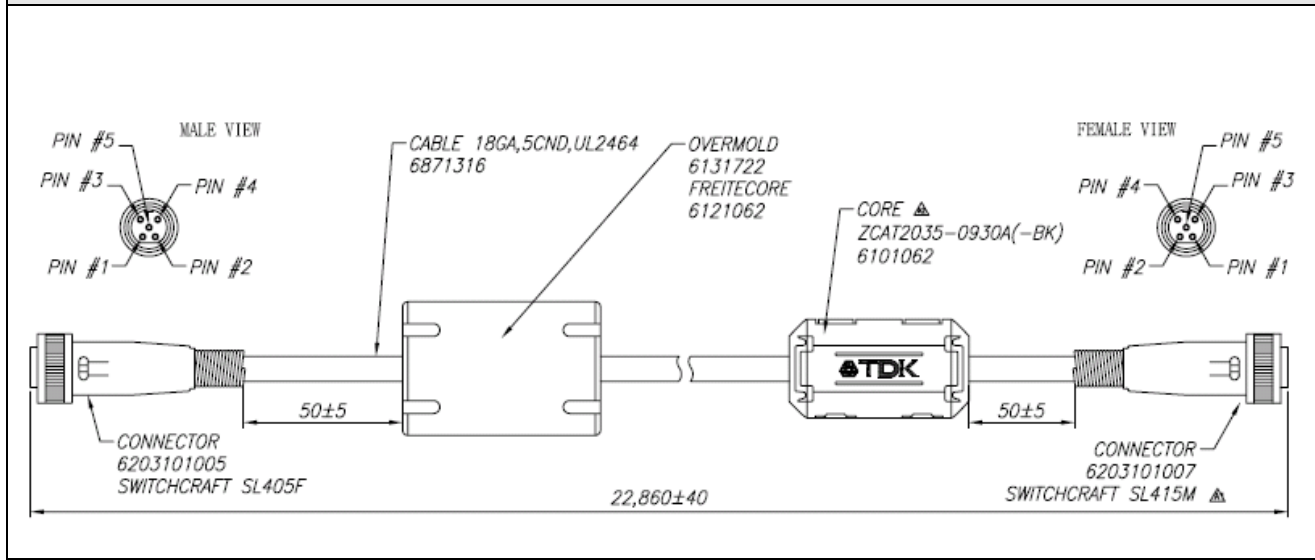
AC/DC Adapter Label (Manufacturer: Protek Model: PMP150-14-K11)



DC Extension Cable_ 75ft (Model: 1501047001, Manufacturer: BridgePower)



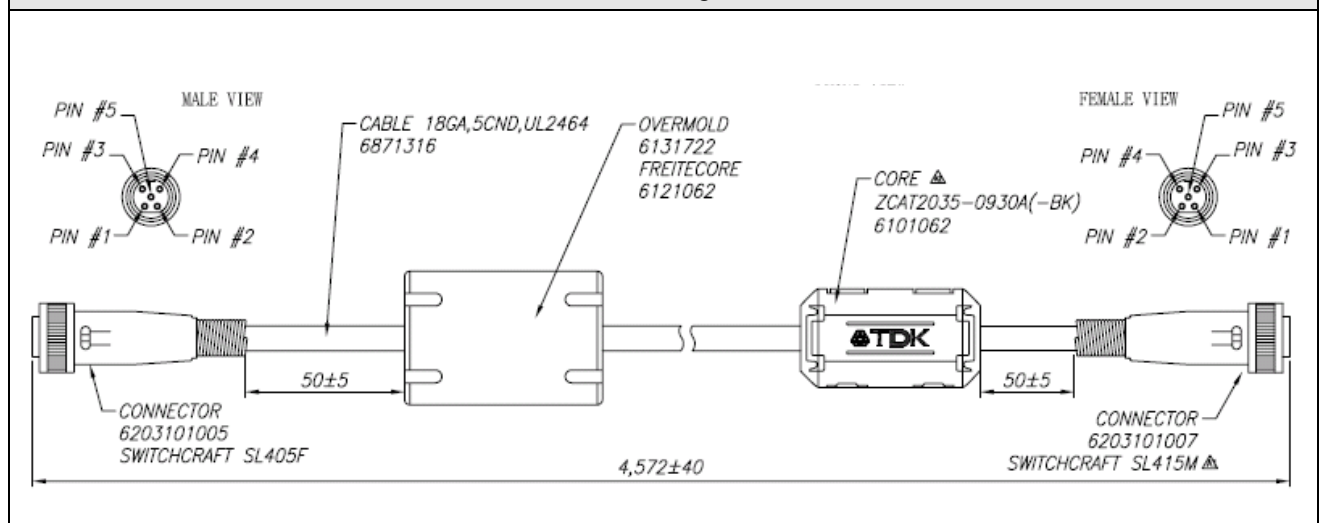
Drawing



DC Extension Cable_15 ft (Model: 1501047, Manufacturer: BridgePower)



Drawing



DC Extension Cable_ 5 ft (Model: 1501047002, Manufacturer: BridgePower)



Drawing

