



The trusted name in medical imaging solutions since 1982.  
 Toll Free: 800.400.7972 Tel: 949.273.8000 Fax: 949.273.8023  
 15 Whatney, Irvine California 92618 USA

## Permissive change letter

**FCC ID Number Product**  
**VYGAMVX2408**

**Title**  
**LCD Color Display**

**Model**  
**AMVX2408**

Original	Changed	
1. LCD Panel (Manufacturer: LG Display Model: LM240WU02).	1. LCD Panel Add (Manufacturer: LG Display Model: LM240WU04).	
2. AC/DC Adapter Add (Model: JMW1150KA2400F04, Manufacturer: BridgePower Corporation)	2. AC/DC Adapter Add (Model: PMP150-14-K11, Manufacturer: Protek)	
3. Not used DC Extension Cable.	3. DC Extension Cable ADD	
	Manufacturer	Model
	BridgePower Corporation	1501047001_75ft
		1501047_15ft
1501047002_5ft		

Sincerely,

**Name: Brian Yamada / Operation Manager**  
**Company: AMPRONIX INC.**  
**Fax: +1-949-273-8000**  
**Email: byamada@ampronix.com**

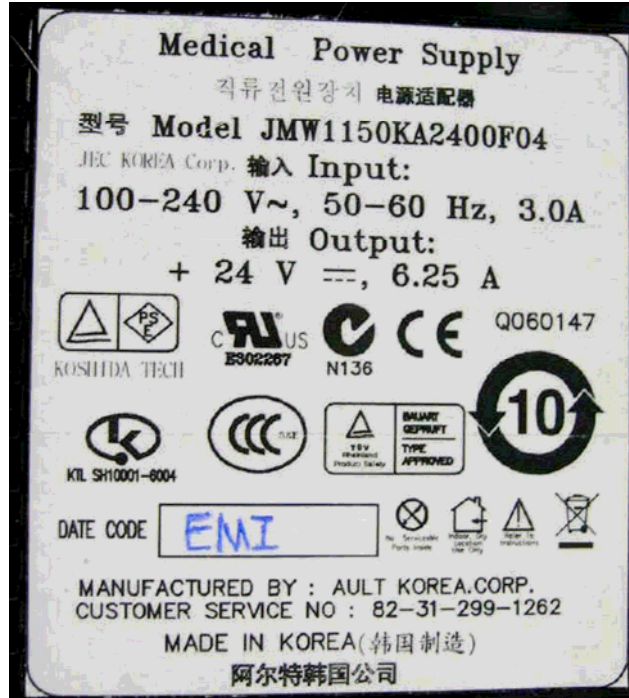
Original LCD Panel Label



Add LCD Panel Label



Original Adapter Label



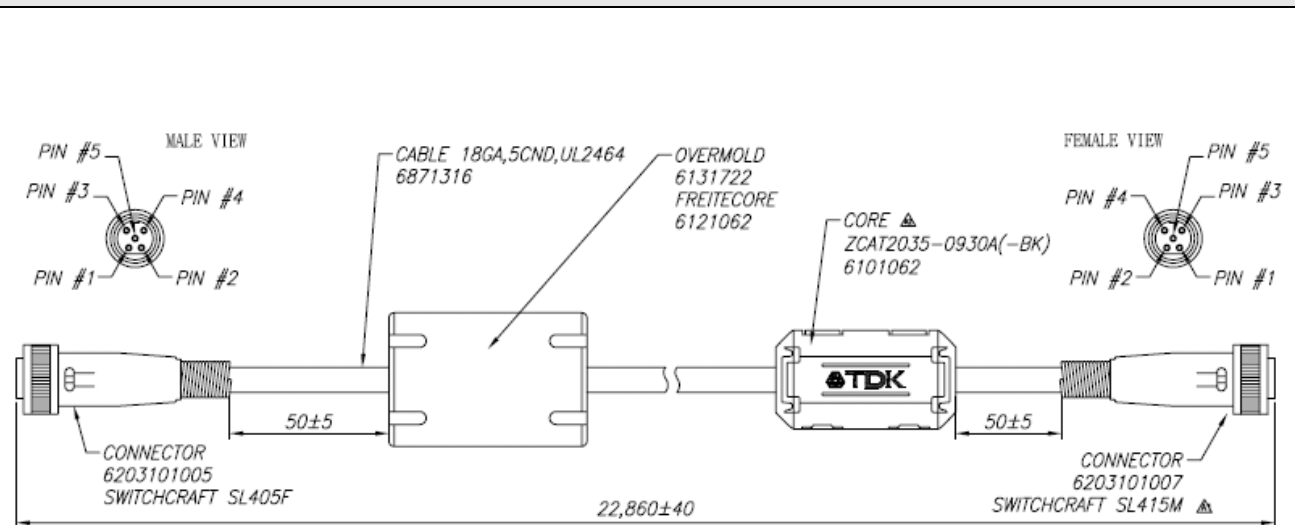
Add Adapter Label



Add DC Extension Cable\_ 75ft (Model: 1501047001, Manufacturer: BridgePower Corporation)



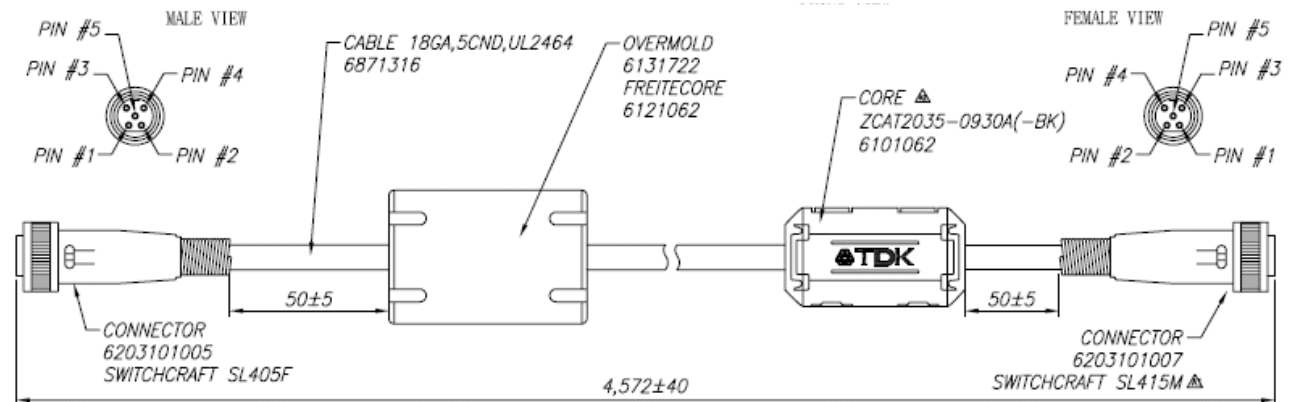
Drawing



Add DC Extension Cable\_15 ft (Model: 1501047, Manufacturer: BridgePower Corporation)



Drawing





Add DC Extension Cable\_ 5 ft (Model: 1501047002, Manufacturer: BridgePower Corporation)



Drawing

