

ISSUE	REVISION	DATE:	APPROVED BY
1.0	FIRST RELEASE FOR PRODUCTION	Aug.14.08	KZHANG
			X.GONG

D

D

C

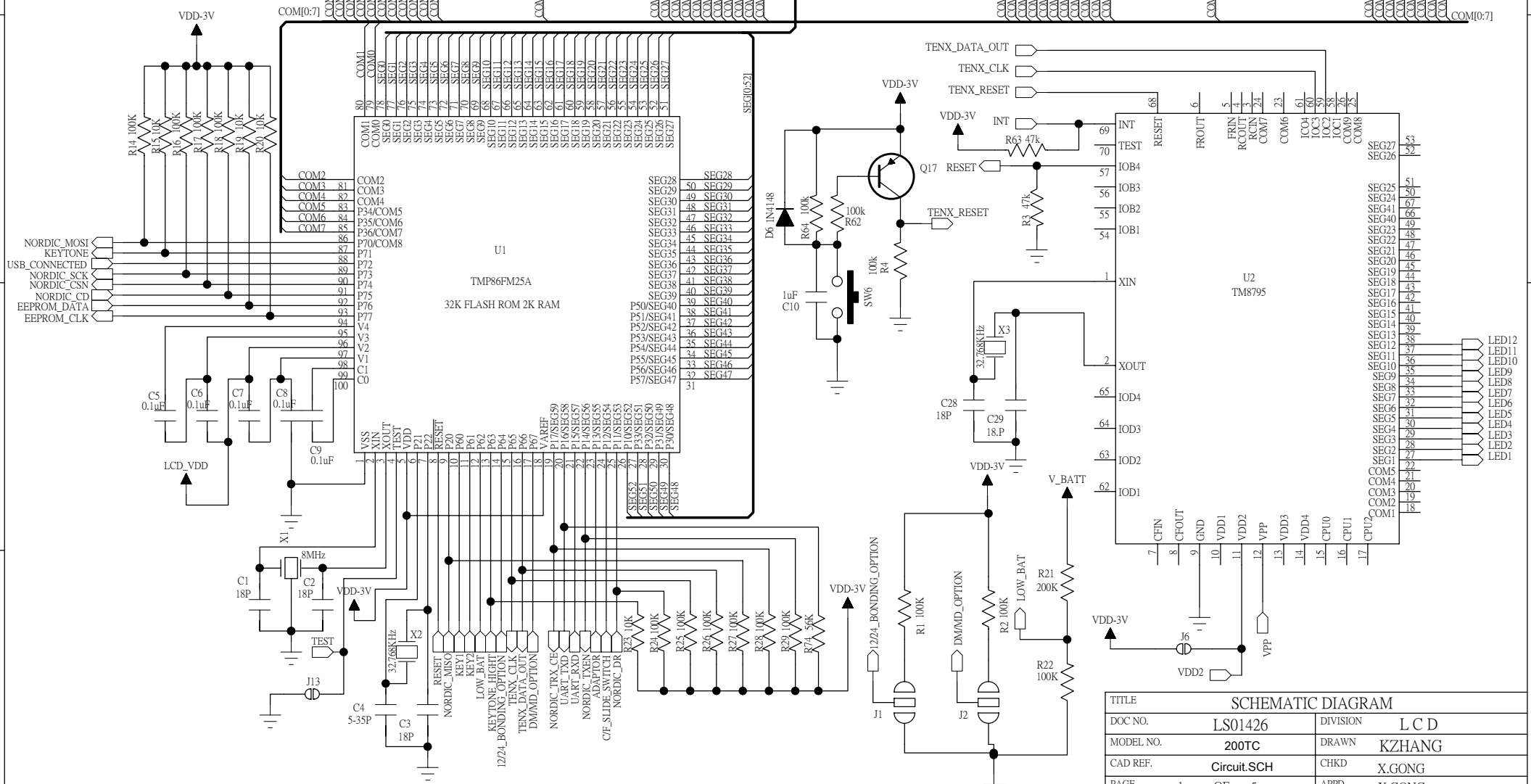
C

B

B

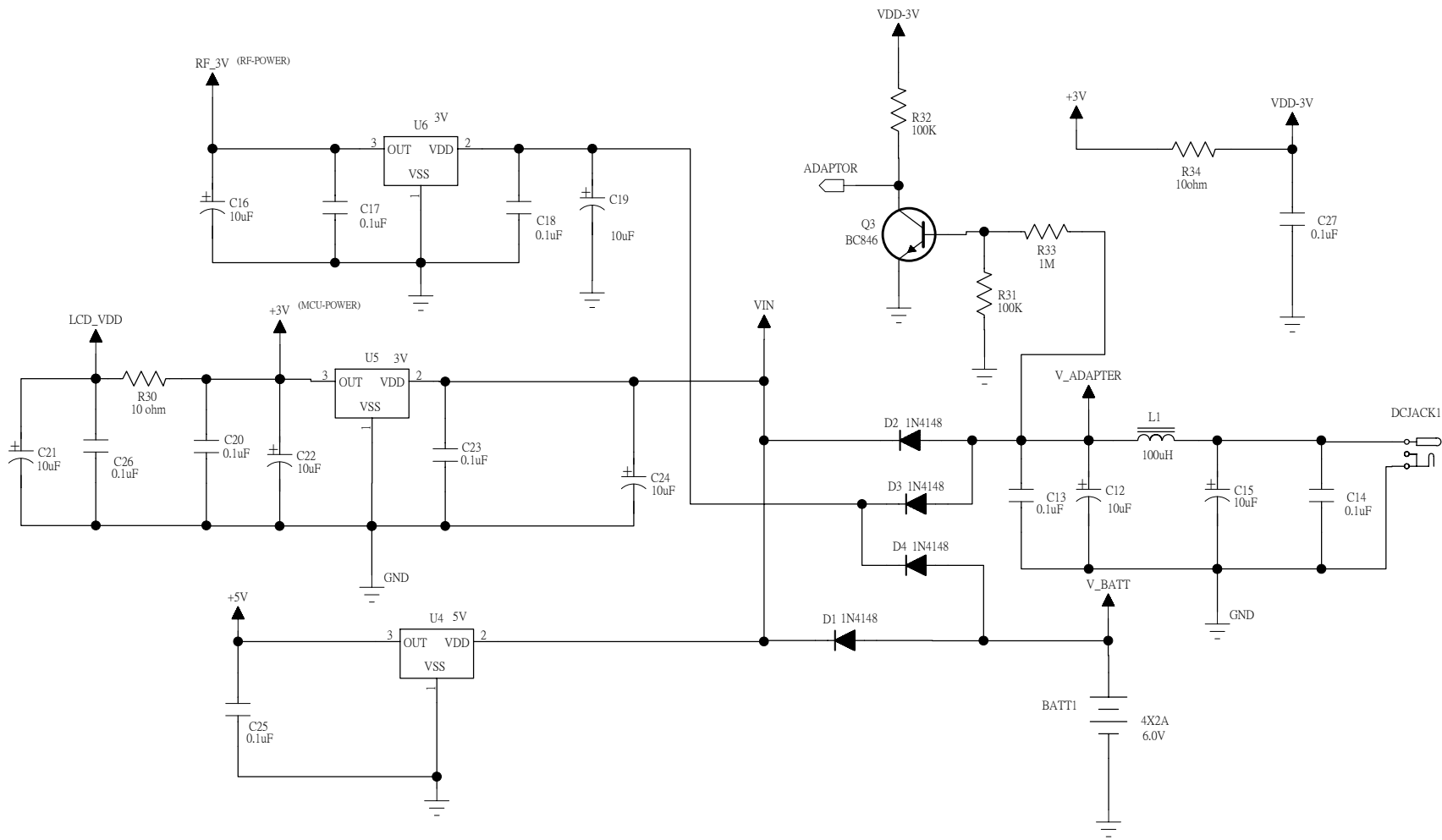
A

A



TITLE	SCHEMATIC DIAGRAM		
DOC NO.	LS01426	DIVISION	L C D
MODEL NO.	200TC	DRAWN	KZHANG
CAD REF.	Circuit.SCH	CHKD	X.GONG
PAGE	1 OF 5	APPD.	X.GONG
IDT TECHNOLOGY LTD.			

ISSUE	REVISION	DATE:		APPROVED BY
1.0	FIRST RELEASE FOR PRODUCTION	Aug.14.08	KZHANG	X.GONG



TITLE		SCHEMATIC DIAGRAM	
DOC NO.	LS01426	DIVISION	L C D
MODEL NO.	200TC	DRAWN	KZHANG
CAD REF.	Circuit.SCH	CHKD	X.GONG
PAGE	2 OF 5	APPD.	X.GONG
IDT TECHNOLOGY LTD.			

ISSUE	REVISION	DATE:	APPROVED BY
1.0	FIRST RELEASE FOR PRODUCTION	Aug.14.08	KZHANG
			X.GONG

D

C

B

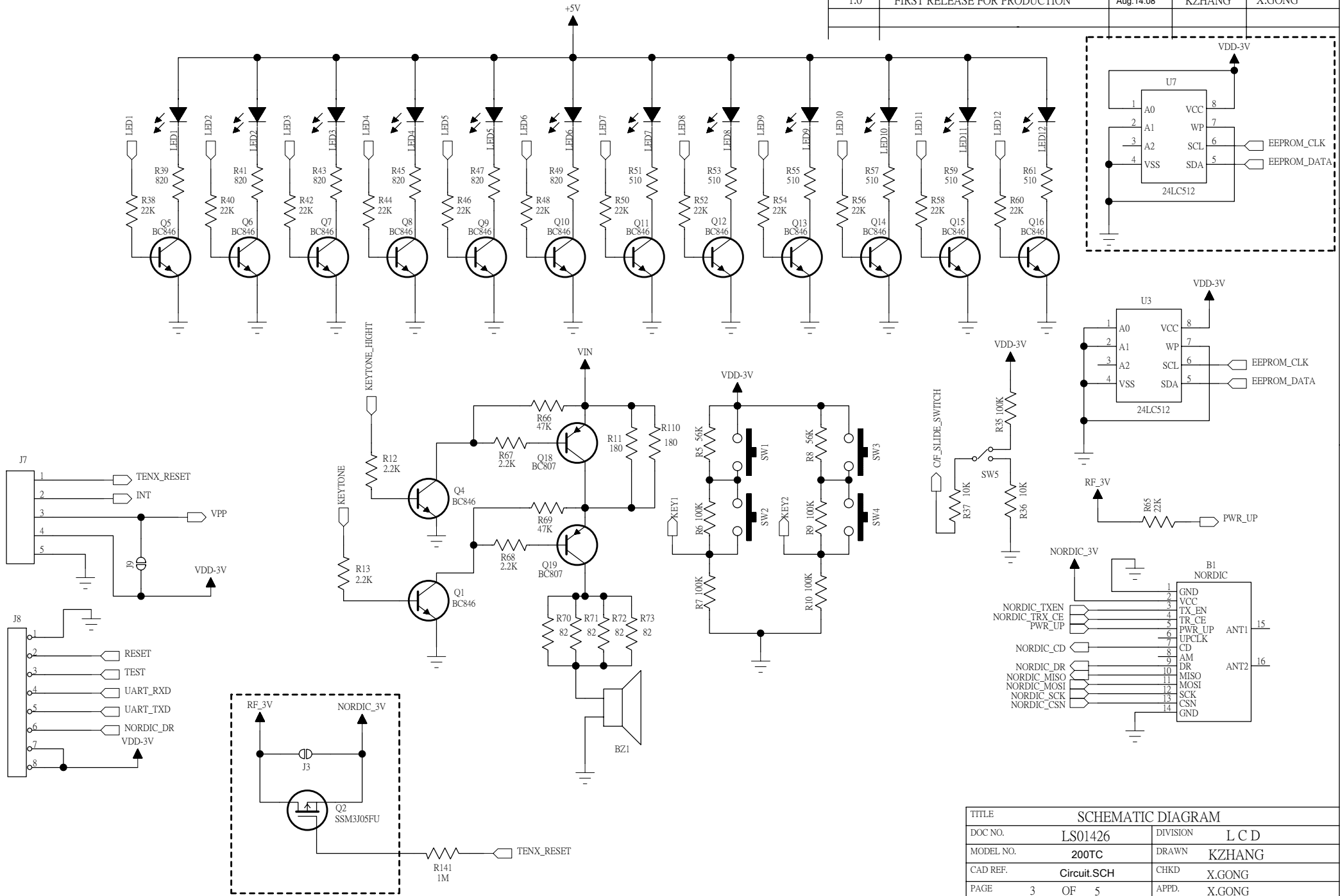
A

D

C

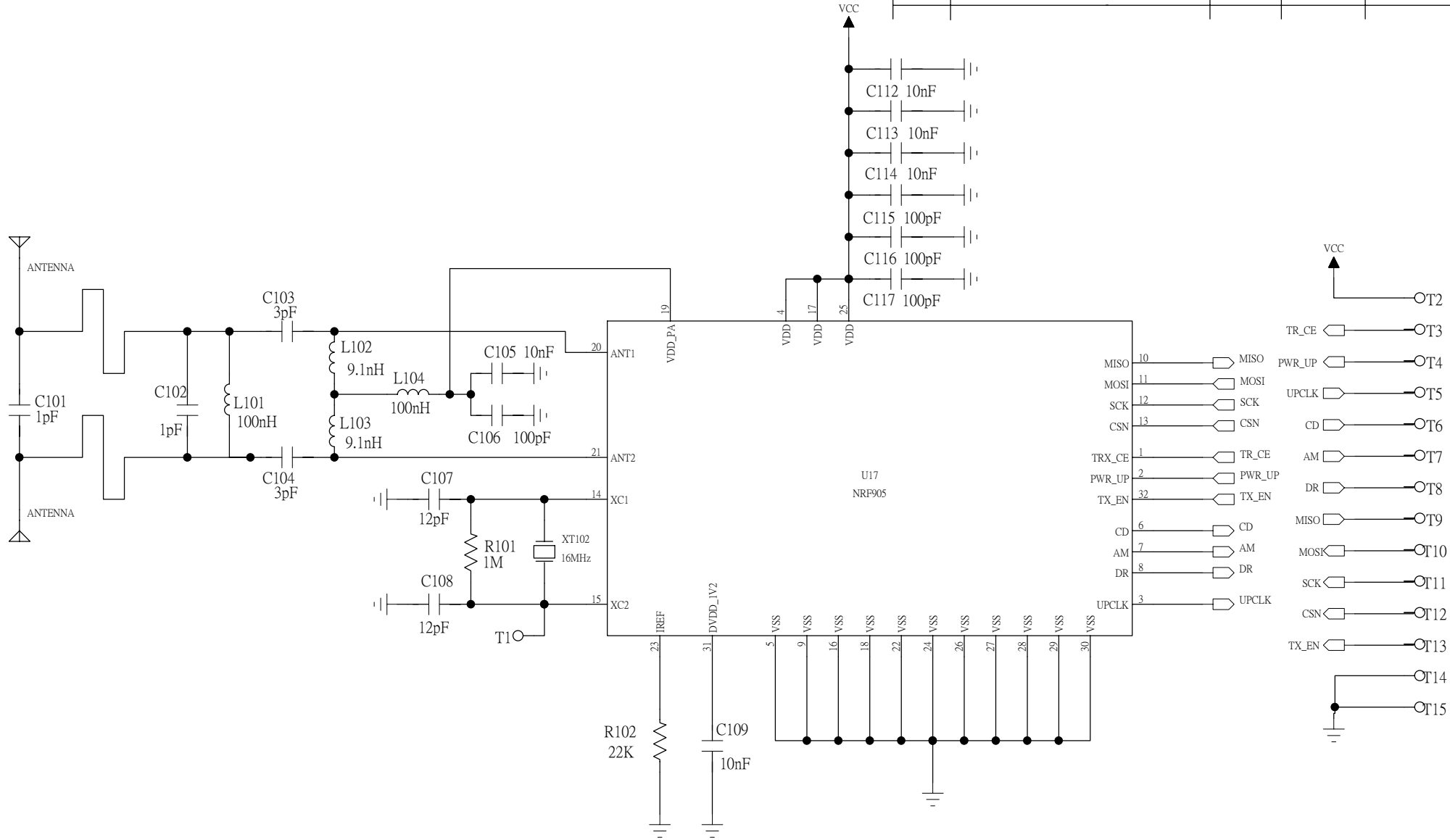
B

A



TITLE	SCHEMATIC DIAGRAM		
DOC NO.	LS01426	DIVISION	L C D
MODEL NO.	200TC	DRAWN	KZHANG
CAD REF.	Circuit.SCH	CHKD	X.GONG
PAGE	3 OF 5	APPD.	X.GONG
IDT TECHNOLOGY LTD.			

ISSUE	REVISION	DATE:	APPROVED BY
1.0	FIRST RELEASE FOR PRODUCTION	Aug.14.08	KZHANG
			X.GONG



TITLE			
SCHEMATIC DIAGRAM		DIVISION	
DOC NO.	LS01426	LCD	
MODEL NO.	200TC	DRAWN	
Circuit.SCH		CHKD	
PAGE	5 OF 5	APPD.	
		X.GONG	
IDT TECHNOLOGY LTD.			