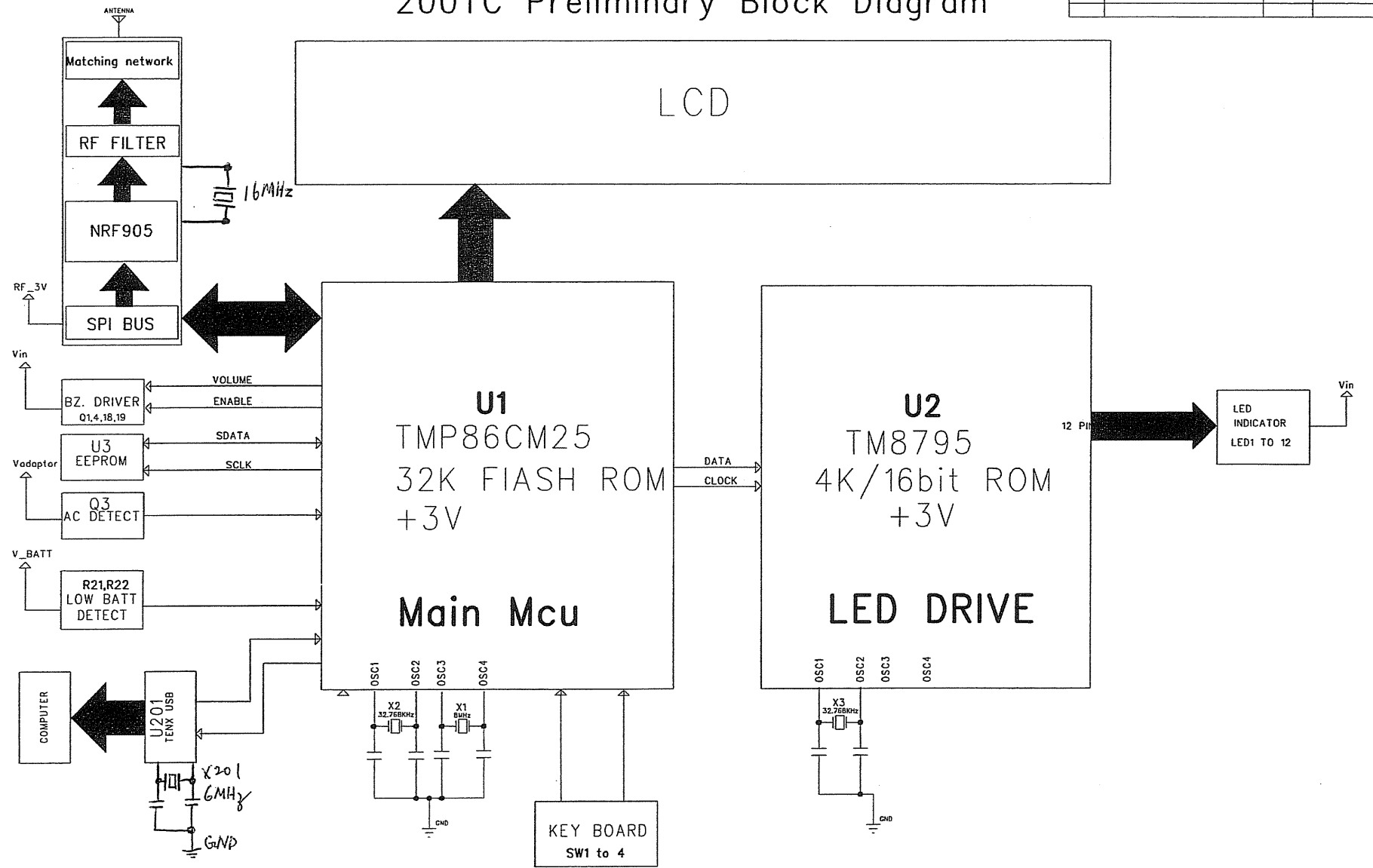


ISSUE	REVISION	DATE:	MADE BY	APPROVED BY
1.0	FIRST RELEASE FOR PROTOTYPE	OCT.7.08	K.ZHANG	X.GONG

200TC Preliminary Block Diagram

903.2MHz to 926.6MHz



Remark:
 1. Will use sensirion sensor if it can pass our contamination test.
 2. Use LED as indicator.
 3. Will add PIN name after getting I/O assignment.

TITLE MAIN BOARD SCHEMATIC DIAGRAM			
DDC NO.	LS XXXXX	DIVISION	LCD PDD
MODEL NO.	XXX	DRAWN	K.zhang
CAD REF.	BLOCKSCH	CHKD	X.gong
PAGE	1 OF 1	APPD.	X.gong
IDT TECHNOLOGY LTD.			

BLOCK DIAGRAM

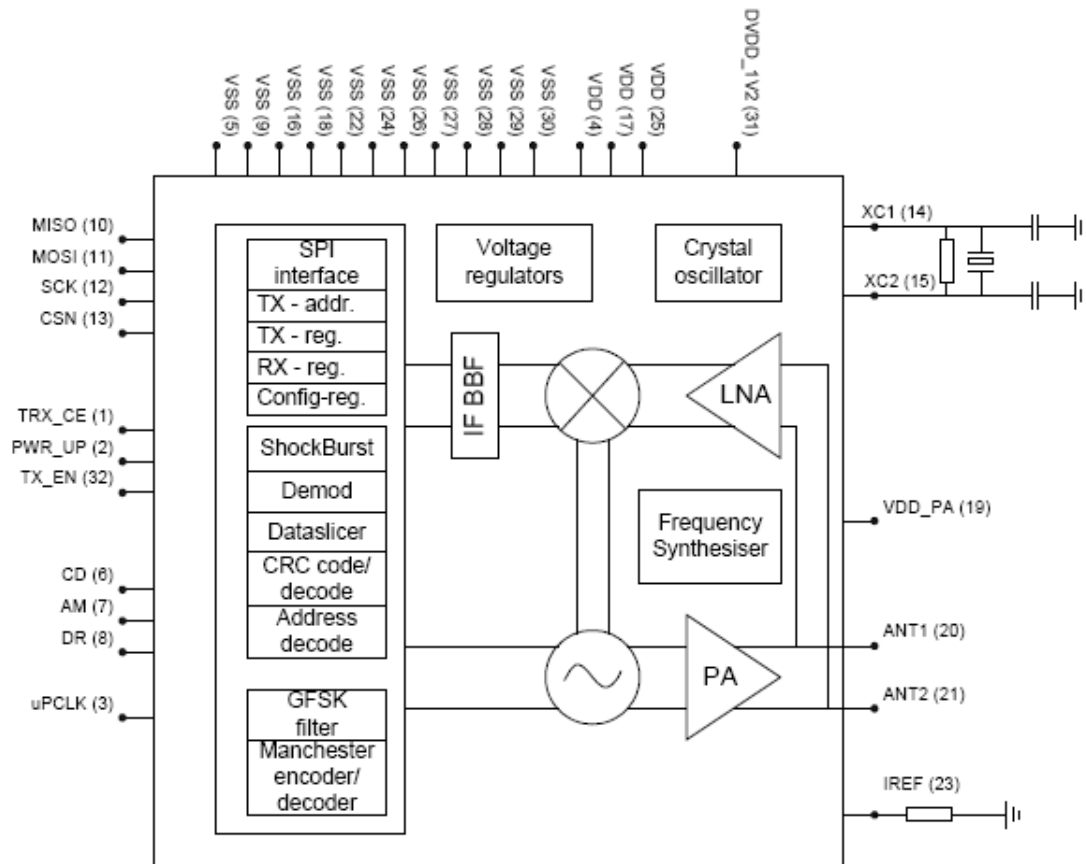


Figure 1 nRF905 with external components.