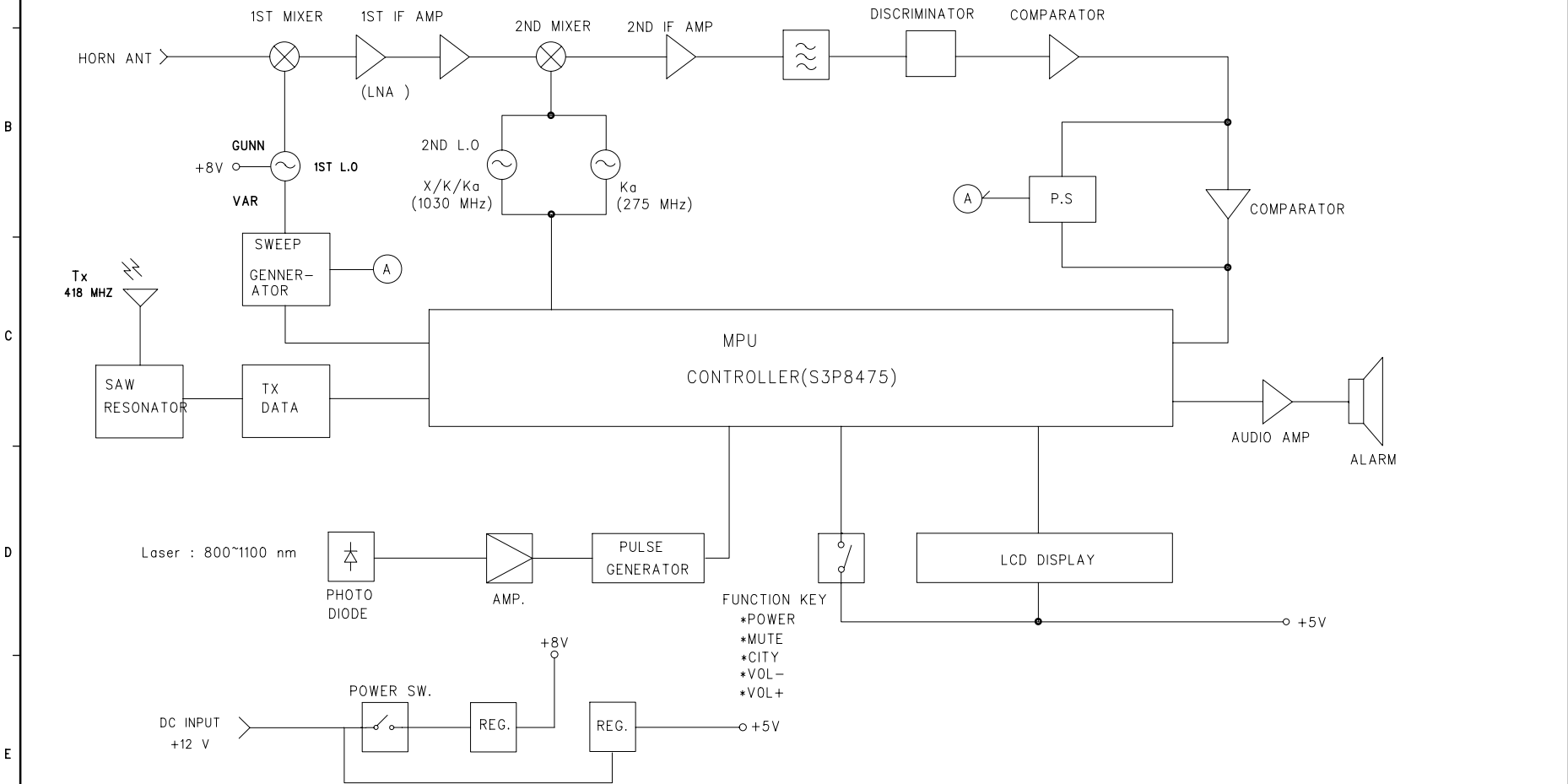


TPX MAIN BLOCK DIAGRAM

A X BAND: 10.525 GHz
 K BAND: 24.150 GHz
 Ka BAND: 33.4 - 36.0 GHz



DWG NO.	REV.	DATA	
MODEL		APPR.	
TITLE		CHECK.	
BLOCK DIAGRAM		DRAW.	
		DESIGN.	
WILLTRONICS WILLTRONICS INC.		SHEET	1 OF 1