



LCIE

WIFI 5GHz Template: Release April 22nd, 2016

# TEST REPORT

N°: 140527-682780E

Version : 01

## Subject

Radio spectrum matters  
tests according to standards:  
47 CFR Part 15.407 & RSS 247 Issue 1(DFS Only) 

## Issued to

**SAGEMCOM BROADBAND SAS**  
250 Route de l'Empereur  
92848 – REUIL MALMAISON  
FRANCE

## Apparatus under test

 Product HOME Hub  
 Trade mark **BELL CANADA**  
 Manufacturer **SAGEMCOM BROADBAND SAS**  
 Model under test **FAST 5566**  
 Serial number DM1603203000012

## Test date

: April 14, 2016 to April 19, 2016

## Test location

Fontenay Aux Roses

## Composition of document

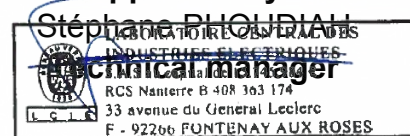
90 pages

## Document issued on

June 10, 2016

Written by :  
Arnaud FAYETTE  
Tests operator

## Approved by :



This document shall not be reproduced, except in full, without the written approval of the LCIE. This document contains results related only to the items tested. It does not imply the conformity of the whole production to the items tested. Unless otherwise specified, the decision of conformity takes into account the uncertainty of measurement. This document doesn't anticipate any certification decision.

**LCIE**

Laboratoire Central des Industries Electriques  
Une société de Bureau Veritas

33, Av du Général Leclerc  
92266 Fontenay Aux Roses  
FRANCE

Tél : +33 1 40 95 60 60  
contact@lcie.fr  
www.lcie.fr



## PUBLICATION HISTORY

<b>Version</b>	<b>Date</b>	<b>Author</b>	<b>Modification</b>
01	June 10, 2016	Arnaud FAYETTE	Creation of the document



L C I E

## SUMMARY

1.	TEST PROGRAM .....	4
2.	EQUIPMENT UNDER TEST: CONFIGURATION (DECLARED BY PROVIDER) .....	5
3.	DFS DETECTION THRESHOLDS DETERMINATION, REFERENCE NOISE LEVEL & CHANNEL LOADING .....	20
4.	DYNAMIC FREQUENCY SELECTION (DFS): CHANNEL AVAILABILITY CHECK TIME & DFS DETECTION THRESHOLD .....	28
5.	DYNAMIC FREQUENCY SELECTION (DFS): U-NII DETECTION BANDWIDTH .....	33
6.	DYNAMIC FREQUENCY SELECTION (DFS): STATISTICAL PERFORMANCE CHECK & DFS DETECTION THRESHOLD .....	38
7.	DYNAMIC FREQUENCY SELECTION (DFS): CHANNEL CLOSING TRANSMISSION TIME & CHANNEL MOVE TIME .....	44
8.	DYNAMIC FREQUENCY SELECTION (DFS): NON-OCCUPANCY PERIOD .....	48
9.	RADAR TEST SIGNAL TYPE FOR STATISTICAL PERFORMANCE CHECK .....	52
10.	U-NII DETECTION BANDWIDTH DATA RESULTS .....	58
11.	RADAR TEST SIGNAL TYPE 5 & 0 .....	60
12.	UNCERTAINTIES CHART .....	90



## 1. TEST PROGRAM

### References

- 47 CFR Part 15.407 (DFS requirements)
- RSS 247 Issue 1 (DFS requirements)
- KDB 905462 D02 UNII DFS Compliance Procedures New Rules v02
- KDB 905462 D04 Test Mode New Rules v01
- KDB 905462 D06 802.11 Channel Plans New Rules v02
- KDB905462 D07 Overview UNII Rules v01

### Radio requirement:

Clause (47CFR Part 15.407 & RSS 247 Issue 1) Test Description	Test result - Comments
Channel Availability Check Time & DFS Detection Threshold <a href="#">P</a>	<input checked="" type="checkbox"/> PASS <input type="checkbox"/> FAIL <input type="checkbox"/> NA(1)(2) <input type="checkbox"/> NP(3)
U-NII Detection Bandwidth <a href="#">P</a>	<input checked="" type="checkbox"/> PASS <input type="checkbox"/> FAIL <input type="checkbox"/> NA(1) <input type="checkbox"/> NP(3)
Statistical Performance Check & DFS Detection Threshold <a href="#">P</a>	<input checked="" type="checkbox"/> PASS <input type="checkbox"/> FAIL <input type="checkbox"/> NA <input type="checkbox"/> NP(3)
Channel Closing Transmission Time & Channel Move Time <a href="#">P</a>	<input checked="" type="checkbox"/> PASS <input type="checkbox"/> FAIL <input type="checkbox"/> NA <input type="checkbox"/> NP(3)
Non-occupancy period <a href="#">P</a>	<input checked="" type="checkbox"/> PASS <input type="checkbox"/> FAIL <input type="checkbox"/> NA(1) <input type="checkbox"/> NP(3)
This table is a summary of test report, see conclusion of each clause of this test report for detail.	

- (1): Client without radar detection  
 (2): Client with radar detection  
 (3): Limited program

## 2. EQUIPMENT UNDER TEST: CONFIGURATION (DECLARED BY PROVIDER)

### 2.1. HARDWARE IDENTIFICATION (EUT AND AUXILIARIES):

Equipment under test (EUT):  
BELL CANADA FAST 5566

Serial Number: DM1603203000012



Equipment Under Test



L C I E





Equipment Under Test

**Inputs/outputs - Cable:**

Access	Type	Length used (m)	Declared <3m	Shielded	Under test	Comments
1	Power Supply	-	<input checked="" type="checkbox"/>	<input type="checkbox"/>	<input type="checkbox"/>	-
2	Ethernet	-	<input checked="" type="checkbox"/>	<input type="checkbox"/>	<input type="checkbox"/>	-

**Auxiliary equipment used during test:**

Type	Reference	Sn	Comments
Wireless AC1750 Dual Band Gigabit Cloud Router	DLINK DIR-868L	RZ641E8004888	FCC ID: RRK2012060056-1 IC ID: 4833A-WMCA01A1
Laptop	Lenovo Think Pad	L3-AW9Z	Use to set the EUT & the communication traffic
Laptop	Dell	10136766025	Use to set the EUT & the communication traffic



L C I E

**Equipment information:**

Type:	<b>WIFI</b>			
Frequency band:	<input type="checkbox"/> 5150MHz-5250MHz	<input type="checkbox"/> 5250MHz-5350MHz	<input checked="" type="checkbox"/> 5470MHz-5725MHz	
	<input checked="" type="checkbox"/> 5725MHz-5825MHz			
Standard:	<input checked="" type="checkbox"/> 802.11a	<input checked="" type="checkbox"/> 802.11n HT20	<input checked="" type="checkbox"/> 802.11n HT40	
	<input checked="" type="checkbox"/> 802.11ac VHT20	<input checked="" type="checkbox"/> 802.11ac VHT40	<input checked="" type="checkbox"/> 802.11ac VHT80	
	<input type="checkbox"/> 802.11ac VHT160			
Spectrum Modulation:	<input checked="" type="checkbox"/> OFDM			
Channel bandwidth:	<input checked="" type="checkbox"/> 20MHz	<input checked="" type="checkbox"/> 40MHz	<input checked="" type="checkbox"/> 80MHz	<input type="checkbox"/> 160MHz
Antenna Type:	<input checked="" type="checkbox"/> Integral	<input type="checkbox"/> External	<input type="checkbox"/> Dedicated	
Antenna connector:	<input checked="" type="checkbox"/> Yes	<input type="checkbox"/> No	<input type="checkbox"/> Temporary for test	
Transmit chains:	<input type="checkbox"/> 1	<input type="checkbox"/> 2	<input type="checkbox"/> 3	<input checked="" type="checkbox"/> 4
	<input type="checkbox"/> 5	<input type="checkbox"/> 6	<input type="checkbox"/> 7	<input type="checkbox"/> 8
TPC:	<input checked="" type="checkbox"/> Yes		<input type="checkbox"/> No	
Receiver chains	<input type="checkbox"/> 1	<input type="checkbox"/> 2	<input type="checkbox"/> 3	<input checked="" type="checkbox"/> 4
	<input type="checkbox"/> 5	<input type="checkbox"/> 6	<input type="checkbox"/> 7	<input type="checkbox"/> 8
Type of equipment:	<input checked="" type="checkbox"/> Stand-alone	<input type="checkbox"/> Plug-in	<input type="checkbox"/> Combined	
Operating temperature range:	Tmin:	<input type="checkbox"/> -20°C	<input type="checkbox"/> 0°C	<input checked="" type="checkbox"/> -30 °C
	Tnom:	20°C		
	Tmax:	<input type="checkbox"/> 35°C	<input type="checkbox"/> 55°C	<input checked="" type="checkbox"/> 50 °C
Type of power source:	<input checked="" type="checkbox"/> AC power supply	<input type="checkbox"/> DC power supply	<input type="checkbox"/> Battery Battery Type	
Operating voltage range:	Vmin:	<input checked="" type="checkbox"/> 108 V/60Hz	<input type="checkbox"/> X Vdc	
	Vnom:	<input checked="" type="checkbox"/> 120V/60Hz	<input type="checkbox"/> X Vdc	
	Vmax	<input checked="" type="checkbox"/> 132 V/60Hz	<input type="checkbox"/> X Vdc	
Mode:	<input checked="" type="checkbox"/> Master	<input type="checkbox"/> Slave with radar detection	<input type="checkbox"/> Slave without radar detection	
	<input type="checkbox"/> Bridge		<input type="checkbox"/> Mesh	
Fixed outdoor P to P/M application:	<input type="checkbox"/> Yes		<input type="checkbox"/> No	
System architectures:	<input checked="" type="checkbox"/> IP based		<input type="checkbox"/> Frame based	
Time require for EUT to complete its power cycle on	0 s			
User access restriction:	<input checked="" type="checkbox"/> Yes (The manufacturer declares that information regarding the parameters of the detected Radar Waveforms is not available to the end user)		<input type="checkbox"/> No	

**Antenna Characteristic**

Antenna assembly	Gain (dBi)	Frequency Band (MHz)	Impedance(Ω)
1	1.9	5490-5835	50
2	3.3	5490-5835	50
3	5.5	5490-5835	50
4	5.5	5490-5835	50
Accumulated	7.5	5490-5835	50





L C I E

Operating frequency range		
Frequency Band (MHz)	Test report	Purpose
2400MHz to 2483.5MHz	140527-682720A	Power measurement 2.4GHz
5150MHz to 5250MHz	140527-682720B	Power measurement 5GHz
5150MHz to 5250MHz	140527-682720C	DFS measurement 5GHz
5470MHz to 5825MHz	140527-682720D	Power measurement 5GHz
5470MHz to 5825MHz	140527-682720E	DFS measurement 5GHz

CHANNEL PLAN		
802.11a / 802.11n HT20/ 802.11ac VHT20		
Channel	Frequency (MHz)	Available Channel
36	5180	<input type="checkbox"/>
40	5200	<input type="checkbox"/>
44	5220	<input type="checkbox"/>
48	5240	<input type="checkbox"/>
52	5260	<input type="checkbox"/>
56	5280	<input type="checkbox"/>
60	5300	<input type="checkbox"/>
C1=64	5320	<input type="checkbox"/>
C2=100	5500	<input checked="" type="checkbox"/>
104	5520	<input checked="" type="checkbox"/>
108	5540	<input checked="" type="checkbox"/>
112	5560	<input checked="" type="checkbox"/>
116	5580	<input checked="" type="checkbox"/>
120	5600	<input type="checkbox"/>
124	5620	<input type="checkbox"/>
128	5640	<input type="checkbox"/>
132	5660	<input checked="" type="checkbox"/>
136	5680	<input checked="" type="checkbox"/>
140	5700	<input checked="" type="checkbox"/>
149	5745	<input checked="" type="checkbox"/>
153	5765	<input checked="" type="checkbox"/>
157	5785	<input checked="" type="checkbox"/>
161	5805	<input checked="" type="checkbox"/>
165	5825	<input checked="" type="checkbox"/>



L C I E

CHANNEL PLAN		
802.11n HT40/ 802.11ac VHT40		
Channel	Frequency (MHz)	Available Channel
36+40	5190	<input type="checkbox"/>
44+48	5230	<input type="checkbox"/>
52+56	5270	<input type="checkbox"/>
C3=60+64	5310	<input type="checkbox"/>
C4=100+104	5510	<input checked="" type="checkbox"/>
108+112	5550	<input checked="" type="checkbox"/>
116+120	5590	<input type="checkbox"/>
124+128	5630	<input type="checkbox"/>
132+136	5670	<input checked="" type="checkbox"/>
140+144	5710	<input checked="" type="checkbox"/>
149+153	5755	<input checked="" type="checkbox"/>
157+161	5795	<input checked="" type="checkbox"/>

CHANNEL PLAN		
802.11ac VHT80		
Channel	Frequency (MHz)	Available Channel
36+40+44+48	5210	<input type="checkbox"/>
C5=52+56+60+64	5290	<input type="checkbox"/>
C6=100+104+108+112	5530	<input checked="" type="checkbox"/>
116+120+124+128	5610	<input type="checkbox"/>
132+136+140+144	5690	<input checked="" type="checkbox"/>
149+153+157+161	5775	<input checked="" type="checkbox"/>

No DFS Channel
DFS Channel
Weather DFS Channel (Not Authorised for RSS-247)



L C I E

DATA RATE		
802.11a		
Data Rate (Mbps)	Modulation Type	Modulation Worst Case
6	BPSK	<input checked="" type="checkbox"/>
9	BPSK	<input type="checkbox"/>
12	QPSK	<input type="checkbox"/>
18	QPSK	<input type="checkbox"/>
24	16-QAM	<input type="checkbox"/>
36	16-QAM	<input type="checkbox"/>
48	64-QAM	<input type="checkbox"/>
54	64-QAM	<input type="checkbox"/>



L C I E

DATA RATE									
802.11n HT20									
Available for EUT	MCS Index	Spatial streams	Modulation				Data Rate (Mbps)		Worst Case Modulation
							(GI = 800ns)	(GI = 400ns)	
<input checked="" type="checkbox"/>	0	1	BPSK				6.5	7.2	<input type="checkbox"/>
<input checked="" type="checkbox"/>	1	1	QPSK				13	14.4	<input type="checkbox"/>
<input checked="" type="checkbox"/>	2	1	QPSK				19.5	21.7	<input type="checkbox"/>
<input checked="" type="checkbox"/>	3	1	16-QAM				26	28.9	<input type="checkbox"/>
<input checked="" type="checkbox"/>	4	1	16-QAM				39	43.3	<input type="checkbox"/>
<input checked="" type="checkbox"/>	5	1	64-QAM				52	57.8	<input type="checkbox"/>
<input checked="" type="checkbox"/>	6	1	64-QAM				58.5	65	<input type="checkbox"/>
<input checked="" type="checkbox"/>	7	1	64-QAM				65	72.2	<input type="checkbox"/>
<input checked="" type="checkbox"/>	8	2	BPSK				13	14.4	<input type="checkbox"/>
<input checked="" type="checkbox"/>	9	2	QPSK				26	28.9	<input type="checkbox"/>
<input checked="" type="checkbox"/>	10	2	QPSK				39	43.3	<input type="checkbox"/>
<input checked="" type="checkbox"/>	11	2	16-QAM				52	57.8	<input type="checkbox"/>
<input checked="" type="checkbox"/>	12	2	16-QAM				78	86.7	<input type="checkbox"/>
<input checked="" type="checkbox"/>	13	2	64-QAM				104	115.6	<input type="checkbox"/>
<input checked="" type="checkbox"/>	14	2	64-QAM				117	130.3	<input type="checkbox"/>
<input checked="" type="checkbox"/>	15	2	64-QAM				130	144.4	<input type="checkbox"/>
<input checked="" type="checkbox"/>	16	3	BPSK				19.5	21.7	<input type="checkbox"/>
<input checked="" type="checkbox"/>	17	3	QPSK				39	43.3	<input type="checkbox"/>
<input checked="" type="checkbox"/>	18	3	QPSK				58.5	65	<input type="checkbox"/>
<input checked="" type="checkbox"/>	19	3	16-QAM				78	86.7	<input type="checkbox"/>
<input checked="" type="checkbox"/>	20	3	16-QAM				117	130	<input type="checkbox"/>
<input checked="" type="checkbox"/>	21	3	64-QAM				156	173.3	<input type="checkbox"/>
<input checked="" type="checkbox"/>	22	3	64-QAM				175.5	195	<input type="checkbox"/>
<input checked="" type="checkbox"/>	23	3	64-QAM				195	216.7	<input type="checkbox"/>
<input checked="" type="checkbox"/>	24	4	BPSK				26	28.9	<input checked="" type="checkbox"/>
<input checked="" type="checkbox"/>	25	4	QPSK				52	57.8	<input type="checkbox"/>
<input checked="" type="checkbox"/>	26	4	QPSK				78	86.7	<input type="checkbox"/>
<input checked="" type="checkbox"/>	27	4	16-QAM				104	115.6	<input type="checkbox"/>
<input checked="" type="checkbox"/>	28	4	16-QAM				156	173.3	<input type="checkbox"/>
<input checked="" type="checkbox"/>	29	4	64-QAM				208	231.1	<input type="checkbox"/>
<input checked="" type="checkbox"/>	30	4	64-QAM				234	260	<input type="checkbox"/>
<input checked="" type="checkbox"/>	31	4	64-QAM				260	288.9	<input type="checkbox"/>
<input checked="" type="checkbox"/>	32	1	BPSK	-	-	-	-	<input type="checkbox"/>	
<input checked="" type="checkbox"/>	33	2	16-QAM	QPSK	-	-	39	43.3	<input type="checkbox"/>
<input checked="" type="checkbox"/>	34	2	64-QAM	QPSK	-	-	52	57.8	<input type="checkbox"/>
<input checked="" type="checkbox"/>	35	2	64-QAM	16-QAM	-	-	65	72.2	<input type="checkbox"/>
<input checked="" type="checkbox"/>	36	2	16-QAM	QPSK	-	-	58.5	65	<input type="checkbox"/>
<input checked="" type="checkbox"/>	37	2	64-QAM	QPSK	-	-	78	86.7	<input type="checkbox"/>
<input checked="" type="checkbox"/>	38	2	64-QAM	16-QAM	-	-	97.5	108.3	<input type="checkbox"/>
<input checked="" type="checkbox"/>	39	3	16-QAM	QPSK	QPSK	-	52	57.8	<input type="checkbox"/>
<input checked="" type="checkbox"/>	40	3	16-QAM	16-QAM	QPSK	-	65	72.2	<input type="checkbox"/>
<input checked="" type="checkbox"/>	41	3	64-QAM	QPSK	QPSK	-	65	72.2	<input type="checkbox"/>
<input checked="" type="checkbox"/>	42	3	64-QAM	16-QAM	QPSK	-	78	86.7	<input type="checkbox"/>
<input checked="" type="checkbox"/>	43	3	64-QAM	16-QAM	16-QAM	-	91	101.1	<input type="checkbox"/>
<input checked="" type="checkbox"/>	44	3	64-QAM	64-QAM	QPSK	-	91	101.1	<input type="checkbox"/>
<input checked="" type="checkbox"/>	45	3	64-QAM	64-QAM	16-QAM	-	104	115.6	<input type="checkbox"/>
<input checked="" type="checkbox"/>	46	3	16-QAM	QPSK	QPSK	-	78	86.7	<input type="checkbox"/>
<input checked="" type="checkbox"/>	47	3	16-QAM	16-QAM	QPSK	-	97.5	108.3	<input type="checkbox"/>
<input checked="" type="checkbox"/>	48	3	64-QAM	QPSK	QPSK	-	97.5	108.3	<input type="checkbox"/>
<input checked="" type="checkbox"/>	49	3	64-QAM	16-QAM	QPSK	-	117	130	<input type="checkbox"/>
<input checked="" type="checkbox"/>	50	3	64-QAM	16-QAM	16-QAM	-	136.5	151.7	<input type="checkbox"/>
<input checked="" type="checkbox"/>	51	3	64-QAM	64-QAM	QPSK	-	136.5	151.7	<input type="checkbox"/>
<input checked="" type="checkbox"/>	52	3	64-QAM	64-QAM	16-QAM	-	156	173.3	<input type="checkbox"/>
<input checked="" type="checkbox"/>	53	4	16-QAM	QPSK	QPSK	QPSK	65	72.2	<input type="checkbox"/>
<input checked="" type="checkbox"/>	54	4	16-QAM	16-QAM	QPSK	QPSK	78	86.7	<input type="checkbox"/>
<input checked="" type="checkbox"/>	55	4	16-QAM	16-QAM	16-QAM	QPSK	91	101.1	<input type="checkbox"/>
<input checked="" type="checkbox"/>	56	4	64-QAM	QPSK	QPSK	QPSK	78	86.7	<input type="checkbox"/>
<input checked="" type="checkbox"/>	57	4	64-QAM	16-QAM	QPSK	QPSK	91	101.1	<input type="checkbox"/>
<input checked="" type="checkbox"/>	58	4	64-QAM	16-QAM	16-QAM	QPSK	104	115.6	<input type="checkbox"/>
<input checked="" type="checkbox"/>	59	4	64-QAM	16-QAM	16-QAM	16-QAM	117	130	<input type="checkbox"/>
<input checked="" type="checkbox"/>	60	4	64-QAM	QPSK	QPSK	QPSK	104	115.6	<input type="checkbox"/>
<input checked="" type="checkbox"/>	61	4	64-QAM	16-QAM	16-QAM	QPSK	117	130	<input type="checkbox"/>
<input checked="" type="checkbox"/>	62	4	64-QAM	16-QAM	16-QAM	16-QAM	130	144.4	<input type="checkbox"/>
<input checked="" type="checkbox"/>	63	4	64-QAM	64-QAM	64-QAM	QPSK	130	144.4	<input type="checkbox"/>
<input checked="" type="checkbox"/>	64	4	64-QAM	64-QAM	64-QAM	16-QAM	143	158.9	<input type="checkbox"/>
<input checked="" type="checkbox"/>	65	4	16-QAM	QPSK	QPSK	QPSK	97.5	108.3	<input type="checkbox"/>
<input checked="" type="checkbox"/>	66	4	16-QAM	16-QAM	QPSK	QPSK	117	130	<input type="checkbox"/>
<input checked="" type="checkbox"/>	67	4	16-QAM	16-QAM	16-QAM	QPSK	136.5	151.7	<input type="checkbox"/>
<input checked="" type="checkbox"/>	68	4	64-QAM	QPSK	QPSK	QPSK	117	130	<input type="checkbox"/>
<input checked="" type="checkbox"/>	69	4	64-QAM	16-QAM	QPSK	QPSK	136.5	151.7	<input type="checkbox"/>
<input checked="" type="checkbox"/>	70	4	64-QAM	16-QAM	16-QAM	QPSK	156	173.3	<input type="checkbox"/>
<input checked="" type="checkbox"/>	71	4	64-QAM	16-QAM	16-QAM	16-QAM	175.5	195	<input type="checkbox"/>
<input checked="" type="checkbox"/>	72	4	64-QAM	64-QAM	QPSK	QPSK	156	173.3	<input type="checkbox"/>
<input checked="" type="checkbox"/>	73	4	64-QAM	64-QAM	16-QAM	QPSK	175.5	195	<input type="checkbox"/>
<input checked="" type="checkbox"/>	74	4	64-QAM	64-QAM	16-QAM	16-QAM	195	216.7	<input type="checkbox"/>
<input checked="" type="checkbox"/>	75	4	64-QAM	64-QAM	64-QAM	QPSK	195	216.7	<input type="checkbox"/>
<input checked="" type="checkbox"/>	76	4	64-QAM	64-QAM	64-QAM	16-QAM	214.5	238.3	<input type="checkbox"/>



L C I E

DATA RATE									
802.11n HT40									
Available for EUT	MCS Index	Spatial streams	Modulation				Data Rate (Mbps)		Worst Case Modulation
							(GI = 800ns)	(GI = 400ns)	
<input checked="" type="checkbox"/>	0	1	BPSK				13	15	<input type="checkbox"/>
<input checked="" type="checkbox"/>	1	1	QPSK				27	30	<input type="checkbox"/>
<input checked="" type="checkbox"/>	2	1	QPSK				40.5	45	<input type="checkbox"/>
<input checked="" type="checkbox"/>	3	1	16-QAM				54	60	<input type="checkbox"/>
<input checked="" type="checkbox"/>	4	1	16-QAM				81	90	<input type="checkbox"/>
<input checked="" type="checkbox"/>	5	1	64-QAM				108	120	<input type="checkbox"/>
<input checked="" type="checkbox"/>	6	1	64-QAM				121.5	135	<input type="checkbox"/>
<input checked="" type="checkbox"/>	7	1	64-QAM				135	150	<input type="checkbox"/>
<input checked="" type="checkbox"/>	8	2	BPSK				27	30	<input type="checkbox"/>
<input checked="" type="checkbox"/>	9	2	QPSK				54	60	<input type="checkbox"/>
<input checked="" type="checkbox"/>	10	2	QPSK				81	90	<input type="checkbox"/>
<input checked="" type="checkbox"/>	11	2	16-QAM				108	120	<input type="checkbox"/>
<input checked="" type="checkbox"/>	12	2	16-QAM				162	180	<input type="checkbox"/>
<input checked="" type="checkbox"/>	13	2	64-QAM				216	240	<input type="checkbox"/>
<input checked="" type="checkbox"/>	14	2	64-QAM				243	270	<input type="checkbox"/>
<input checked="" type="checkbox"/>	15	2	64-QAM				270	300	<input type="checkbox"/>
<input checked="" type="checkbox"/>	16	3	BPSK				40.5	45	<input type="checkbox"/>
<input checked="" type="checkbox"/>	17	3	QPSK				81	90	<input type="checkbox"/>
<input checked="" type="checkbox"/>	18	3	QPSK				121.5	135	<input type="checkbox"/>
<input checked="" type="checkbox"/>	19	3	16-QAM				162	180	<input type="checkbox"/>
<input checked="" type="checkbox"/>	20	3	16-QAM				243	270	<input type="checkbox"/>
<input checked="" type="checkbox"/>	21	3	64-QAM				324	360	<input type="checkbox"/>
<input checked="" type="checkbox"/>	22	3	64-QAM				364.5	405	<input type="checkbox"/>
<input checked="" type="checkbox"/>	23	3	64-QAM				405	450	<input type="checkbox"/>
<input checked="" type="checkbox"/>	24	4	BPSK				54	60	<input checked="" type="checkbox"/>
<input checked="" type="checkbox"/>	25	4	QPSK				108	120	<input type="checkbox"/>
<input checked="" type="checkbox"/>	26	4	QPSK				162	180	<input type="checkbox"/>
<input checked="" type="checkbox"/>	27	4	16-QAM				216	240	<input type="checkbox"/>
<input checked="" type="checkbox"/>	28	4	16-QAM				324	360	<input type="checkbox"/>
<input checked="" type="checkbox"/>	29	4	64-QAM				432	480	<input type="checkbox"/>
<input checked="" type="checkbox"/>	30	4	64-QAM				486	540	<input type="checkbox"/>
<input checked="" type="checkbox"/>	31	4	64-QAM				540	600	<input type="checkbox"/>
<input checked="" type="checkbox"/>	32	1	BPSK	-	-	-	6.0	6.7	<input type="checkbox"/>
<input checked="" type="checkbox"/>	33	2	16-QAM	QPSK	-	-	81	90.0	<input type="checkbox"/>
<input checked="" type="checkbox"/>	34	2	64-QAM	QPSK	-	-	108	120	<input type="checkbox"/>
<input checked="" type="checkbox"/>	35	2	64-QAM	16-QAM	-	-	135	150	<input type="checkbox"/>
<input checked="" type="checkbox"/>	36	2	16-QAM	QPSK	-	-	121.5	135	<input type="checkbox"/>
<input checked="" type="checkbox"/>	37	2	64-QAM	QPSK	-	-	162	180	<input type="checkbox"/>
<input checked="" type="checkbox"/>	38	2	64-QAM	16-QAM	-	-	202.5	225	<input type="checkbox"/>
<input checked="" type="checkbox"/>	39	3	16-QAM	QPSK	QPSK	-	108	120	<input type="checkbox"/>
<input checked="" type="checkbox"/>	40	3	16-QAM	16-QAM	QPSK	-	135	150	<input type="checkbox"/>
<input checked="" type="checkbox"/>	41	3	64-QAM	QPSK	QPSK	-	135	150	<input type="checkbox"/>
<input checked="" type="checkbox"/>	42	3	64-QAM	16-QAM	QPSK	-	162	180	<input type="checkbox"/>
<input checked="" type="checkbox"/>	43	3	64-QAM	16-QAM	16-QAM	-	189	210	<input type="checkbox"/>
<input checked="" type="checkbox"/>	44	3	64-QAM	64-QAM	QPSK	-	189	210	<input type="checkbox"/>
<input checked="" type="checkbox"/>	45	3	64-QAM	64-QAM	16-QAM	-	216	240	<input type="checkbox"/>
<input checked="" type="checkbox"/>	46	3	16-QAM	QPSK	QPSK	-	162	180	<input type="checkbox"/>
<input checked="" type="checkbox"/>	47	3	16-QAM	16-QAM	QPSK	-	202.5	225	<input type="checkbox"/>
<input checked="" type="checkbox"/>	48	3	64-QAM	QPSK	QPSK	-	202.5	225	<input type="checkbox"/>
<input checked="" type="checkbox"/>	49	3	64-QAM	16-QAM	QPSK	-	243	270	<input type="checkbox"/>
<input checked="" type="checkbox"/>	50	3	64-QAM	16-QAM	16-QAM	-	283.5	315	<input type="checkbox"/>
<input checked="" type="checkbox"/>	51	3	64-QAM	64-QAM	QPSK	-	283.5	315	<input type="checkbox"/>
<input checked="" type="checkbox"/>	52	3	64-QAM	64-QAM	16-QAM	-	324	360	<input type="checkbox"/>
<input checked="" type="checkbox"/>	53	4	16-QAM	QPSK	QPSK	QPSK	135	150	<input type="checkbox"/>
<input checked="" type="checkbox"/>	54	4	16-QAM	16-QAM	QPSK	QPSK	162	180	<input type="checkbox"/>
<input checked="" type="checkbox"/>	55	4	16-QAM	16-QAM	16-QAM	QPSK	189	210	<input type="checkbox"/>
<input checked="" type="checkbox"/>	56	4	64-QAM	QPSK	QPSK	QPSK	162	180	<input type="checkbox"/>
<input checked="" type="checkbox"/>	57	4	64-QAM	16-QAM	QPSK	QPSK	189	210	<input type="checkbox"/>
<input checked="" type="checkbox"/>	58	4	64-QAM	16-QAM	16-QAM	QPSK	216	240	<input type="checkbox"/>
<input checked="" type="checkbox"/>	59	4	64-QAM	16-QAM	16-QAM	16-QAM	243	270	<input type="checkbox"/>
<input checked="" type="checkbox"/>	60	4	64-QAM	QPSK	QPSK	QPSK	216	240	<input type="checkbox"/>
<input checked="" type="checkbox"/>	61	4	64-QAM	16-QAM	16-QAM	QPSK	243	270	<input type="checkbox"/>
<input checked="" type="checkbox"/>	62	4	64-QAM	16-QAM	16-QAM	16-QAM	270	300	<input type="checkbox"/>
<input checked="" type="checkbox"/>	63	4	64-QAM	64-QAM	64-QAM	QPSK	270	300	<input type="checkbox"/>
<input checked="" type="checkbox"/>	64	4	64-QAM	64-QAM	64-QAM	16-QAM	297	330	<input type="checkbox"/>
<input checked="" type="checkbox"/>	65	4	16-QAM	QPSK	QPSK	QPSK	202.5	225	<input type="checkbox"/>
<input checked="" type="checkbox"/>	66	4	16-QAM	16-QAM	QPSK	QPSK	243	270	<input type="checkbox"/>
<input checked="" type="checkbox"/>	67	4	16-QAM	16-QAM	16-QAM	QPSK	283.5	315	<input type="checkbox"/>
<input checked="" type="checkbox"/>	68	4	64-QAM	QPSK	QPSK	QPSK	243	270	<input type="checkbox"/>
<input checked="" type="checkbox"/>	69	4	64-QAM	16-QAM	QPSK	QPSK	283.5	315	<input type="checkbox"/>
<input checked="" type="checkbox"/>	70	4	64-QAM	16-QAM	16-QAM	QPSK	324	360	<input type="checkbox"/>
<input checked="" type="checkbox"/>	71	4	64-QAM	16-QAM	16-QAM	16-QAM	364.5	405	<input type="checkbox"/>
<input checked="" type="checkbox"/>	72	4	64-QAM	64-QAM	QPSK	QPSK	324	360	<input type="checkbox"/>
<input checked="" type="checkbox"/>	73	4	64-QAM	64-QAM	16-QAM	QPSK	364.5	405	<input type="checkbox"/>
<input checked="" type="checkbox"/>	74	4	64-QAM	64-QAM	16-QAM	16-QAM	405	450	<input type="checkbox"/>
<input checked="" type="checkbox"/>	75	4	64-QAM	64-QAM	64-QAM	QPSK	405	450	<input type="checkbox"/>
<input checked="" type="checkbox"/>	76	4	64-QAM	64-QAM	64-QAM	16-QAM	445.5	495	<input type="checkbox"/>



L C I E

DATA RATE: 802.11ac VHT20							
Available for EUT	MCS Index	Nbr of spatial streams	Modulation (Stream 1/2/3/4)	Coding rate	GI = 800ns	GI = 400ns	Worst Case Modulation
<input checked="" type="checkbox"/>	0	1	BPSK	1/2	6,5	7,2	<input type="checkbox"/>
<input checked="" type="checkbox"/>	1	1	QPSK	1/2	13	14,4	<input type="checkbox"/>
<input checked="" type="checkbox"/>	2	1	QPSK	3/4	19,5	21,7	<input type="checkbox"/>
<input checked="" type="checkbox"/>	3	1	16-QAM	1/2	26	28,9	<input type="checkbox"/>
<input checked="" type="checkbox"/>	4	1	16-QAM	3/4	39	43,3	<input type="checkbox"/>
<input checked="" type="checkbox"/>	5	1	64-QAM	2/3	52	57,8	<input type="checkbox"/>
<input checked="" type="checkbox"/>	6	1	64-QAM	3/4	58,5	65	<input type="checkbox"/>
<input checked="" type="checkbox"/>	7	1	64-QAM	5/6	65	72,2	<input type="checkbox"/>
<input checked="" type="checkbox"/>	8	1	256-QAM	3/4	78	86,7	<input type="checkbox"/>
<input checked="" type="checkbox"/>	9	1	256-QAM	5/6	N/A	N/A	<input type="checkbox"/>
<input checked="" type="checkbox"/>	10	2	BPSK	1/2	13	14,4	<input type="checkbox"/>
<input checked="" type="checkbox"/>	11	2	QPSK	1/2	26	28,8	<input type="checkbox"/>
<input checked="" type="checkbox"/>	12	2	QPSK	3/4	39	43,4	<input type="checkbox"/>
<input checked="" type="checkbox"/>	13	2	16-QAM	1/2	52	57,8	<input type="checkbox"/>
<input checked="" type="checkbox"/>	14	2	16-QAM	3/4	78	86,6	<input type="checkbox"/>
<input checked="" type="checkbox"/>	15	2	64-QAM	2/3	104	115,6	<input type="checkbox"/>
<input checked="" type="checkbox"/>	16	2	64-QAM	3/4	117	130	<input type="checkbox"/>
<input checked="" type="checkbox"/>	17	2	64-QAM	5/6	130	144,4	<input type="checkbox"/>
<input checked="" type="checkbox"/>	18	2	256-QAM	3/4	156	173,4	<input type="checkbox"/>
<input checked="" type="checkbox"/>	19	2	256-QAM	5/6	N/A	N/A	<input type="checkbox"/>
<input checked="" type="checkbox"/>	20	3	BPSK	1/2	19,5	21,6	<input type="checkbox"/>
<input checked="" type="checkbox"/>	21	3	QPSK	1/2	39	43,2	<input type="checkbox"/>
<input checked="" type="checkbox"/>	22	3	QPSK	3/4	58,5	65,1	<input type="checkbox"/>
<input checked="" type="checkbox"/>	23	3	16-QAM	1/2	78	86,7	<input type="checkbox"/>
<input checked="" type="checkbox"/>	24	3	16-QAM	3/4	117	129,9	<input checked="" type="checkbox"/>
<input checked="" type="checkbox"/>	25	3	64-QAM	2/3	156	173,4	<input type="checkbox"/>
<input checked="" type="checkbox"/>	26	3	64-QAM	3/4	175,5	195	<input type="checkbox"/>
<input checked="" type="checkbox"/>	27	3	64-QAM	5/6	195	216,6	<input type="checkbox"/>
<input checked="" type="checkbox"/>	28	3	256-QAM	3/4	234	260,1	<input type="checkbox"/>
<input checked="" type="checkbox"/>	29	3	256-QAM	5/6	N/A	N/A	<input type="checkbox"/>
<input checked="" type="checkbox"/>	30	4	BPSK	1/2	26	28,8	<input type="checkbox"/>
<input checked="" type="checkbox"/>	31	4	QPSK	1/2	52	57,6	<input type="checkbox"/>
<input checked="" type="checkbox"/>	32	4	QPSK	3/4	78	86,8	<input type="checkbox"/>
<input checked="" type="checkbox"/>	33	4	16-QAM	1/2	104	115,6	<input type="checkbox"/>
<input checked="" type="checkbox"/>	34	4	16-QAM	3/4	156	173,2	<input type="checkbox"/>
<input checked="" type="checkbox"/>	35	4	64-QAM	2/3	208	231,2	<input type="checkbox"/>
<input checked="" type="checkbox"/>	36	4	64-QAM	3/4	234	260	<input type="checkbox"/>
<input checked="" type="checkbox"/>	37	4	64-QAM	5/6	260	288,8	<input type="checkbox"/>
<input checked="" type="checkbox"/>	38	4	256-QAM	3/4	312	346,8	<input type="checkbox"/>
<input checked="" type="checkbox"/>	39	4	256-QAM	5/6	N/A	N/A	<input type="checkbox"/>
<input checked="" type="checkbox"/>	40	5	BPSK	1/2	32,5	36	<input type="checkbox"/>
<input checked="" type="checkbox"/>	41	5	QPSK	1/2	65	72	<input type="checkbox"/>
<input checked="" type="checkbox"/>	42	5	QPSK	3/4	97,5	108,5	<input type="checkbox"/>
<input checked="" type="checkbox"/>	43	5	16-QAM	1/2	130	144,5	<input type="checkbox"/>
<input checked="" type="checkbox"/>	44	5	16-QAM	3/4	195	216,5	<input type="checkbox"/>
<input checked="" type="checkbox"/>	45	5	64-QAM	2/3	260	289	<input type="checkbox"/>
<input checked="" type="checkbox"/>	46	5	64-QAM	3/4	292,5	325	<input type="checkbox"/>
<input checked="" type="checkbox"/>	47	5	64-QAM	5/6	325	361	<input type="checkbox"/>
<input checked="" type="checkbox"/>	48	5	256-QAM	3/4	390	433,5	<input type="checkbox"/>
<input checked="" type="checkbox"/>	49	5	256-QAM	5/6	N/A	N/A	<input type="checkbox"/>
<input checked="" type="checkbox"/>	50	6	BPSK	1/2	39	43,2	<input type="checkbox"/>
<input checked="" type="checkbox"/>	51	6	QPSK	1/2	78	86,4	<input type="checkbox"/>
<input checked="" type="checkbox"/>	52	6	QPSK	3/4	117	130,2	<input type="checkbox"/>
<input checked="" type="checkbox"/>	53	6	16-QAM	1/2	156	173,4	<input type="checkbox"/>
<input checked="" type="checkbox"/>	54	6	16-QAM	3/4	234	259,8	<input type="checkbox"/>
<input checked="" type="checkbox"/>	55	6	64-QAM	2/3	312	346,8	<input type="checkbox"/>
<input checked="" type="checkbox"/>	56	6	64-QAM	3/4	351	390	<input type="checkbox"/>
<input checked="" type="checkbox"/>	57	6	64-QAM	5/6	390	433,2	<input type="checkbox"/>
<input checked="" type="checkbox"/>	58	6	256-QAM	3/4	468	520,2	<input type="checkbox"/>
<input checked="" type="checkbox"/>	59	6	256-QAM	5/6	N/A	N/A	<input type="checkbox"/>
<input checked="" type="checkbox"/>	60	7	BPSK	1/2	45,5	50,4	<input type="checkbox"/>
<input checked="" type="checkbox"/>	61	7	QPSK	1/2	91	100,8	<input type="checkbox"/>
<input checked="" type="checkbox"/>	62	7	QPSK	3/4	136,5	151,9	<input type="checkbox"/>
<input checked="" type="checkbox"/>	63	7	16-QAM	1/2	182	202,3	<input type="checkbox"/>
<input checked="" type="checkbox"/>	64	7	16-QAM	3/4	273	303,1	<input type="checkbox"/>
<input checked="" type="checkbox"/>	65	7	64-QAM	2/3	364	404,6	<input type="checkbox"/>
<input checked="" type="checkbox"/>	66	7	64-QAM	3/4	409,5	455	<input type="checkbox"/>
<input checked="" type="checkbox"/>	67	7	64-QAM	5/6	455	505,4	<input type="checkbox"/>
<input checked="" type="checkbox"/>	68	7	256-QAM	3/4	546	606,9	<input type="checkbox"/>
<input checked="" type="checkbox"/>	69	7	256-QAM	5/6	N/A	N/A	<input type="checkbox"/>
<input checked="" type="checkbox"/>	70	8	BPSK	1/2	52	57,6	<input type="checkbox"/>
<input checked="" type="checkbox"/>	71	8	QPSK	1/2	104	115,2	<input type="checkbox"/>
<input checked="" type="checkbox"/>	72	8	QPSK	3/4	156	173,6	<input type="checkbox"/>
<input checked="" type="checkbox"/>	73	8	16-QAM	1/2	208	231,2	<input type="checkbox"/>
<input checked="" type="checkbox"/>	74	8	16-QAM	3/4	312	346,4	<input type="checkbox"/>
<input checked="" type="checkbox"/>	75	8	64-QAM	2/3	416	462,4	<input type="checkbox"/>
<input checked="" type="checkbox"/>	76	8	64-QAM	3/4	468	520	<input type="checkbox"/>
<input checked="" type="checkbox"/>	77	8	64-QAM	5/6	520	577,6	<input type="checkbox"/>
<input checked="" type="checkbox"/>	78	8	256-QAM	3/4	624	693,6	<input type="checkbox"/>
<input checked="" type="checkbox"/>	79	8	256-QAM	5/6	N/A	N/A	<input type="checkbox"/>



L C I E

DATA RATE: 802.11ac VHT40							
Available for EUT	MCS Index	Nbr of spatial streams	Modulation (Stream 1/2/3/4)	Coding rate	GI = 800ns	GI = 400ns	Worst Case Modulation
<input checked="" type="checkbox"/>	0	1	BPSK	1/2	13,5	15	<input type="checkbox"/>
<input checked="" type="checkbox"/>	1	1	QPSK	1/2	27	30	<input type="checkbox"/>
<input checked="" type="checkbox"/>	2	1	QPSK	3/4	40,5	45	<input type="checkbox"/>
<input checked="" type="checkbox"/>	3	1	16-QAM	1/2	54	60	<input type="checkbox"/>
<input checked="" type="checkbox"/>	4	1	16-QAM	3/4	81	90	<input type="checkbox"/>
<input checked="" type="checkbox"/>	5	1	64-QAM	2/3	108	120	<input type="checkbox"/>
<input checked="" type="checkbox"/>	6	1	64-QAM	3/4	121,5	135	<input type="checkbox"/>
<input checked="" type="checkbox"/>	7	1	64-QAM	5/6	135	150	<input type="checkbox"/>
<input checked="" type="checkbox"/>	8	1	256-QAM	3/4	162	180	<input type="checkbox"/>
<input checked="" type="checkbox"/>	9	1	256-QAM	5/6	180	200	<input type="checkbox"/>
<input checked="" type="checkbox"/>	10	2	BPSK	1/2	27	30	<input type="checkbox"/>
<input checked="" type="checkbox"/>	11	2	QPSK	1/2	54	60	<input type="checkbox"/>
<input checked="" type="checkbox"/>	12	2	QPSK	3/4	81	90	<input type="checkbox"/>
<input checked="" type="checkbox"/>	13	2	16-QAM	1/2	108	120	<input type="checkbox"/>
<input checked="" type="checkbox"/>	14	2	16-QAM	3/4	162	180	<input type="checkbox"/>
<input checked="" type="checkbox"/>	15	2	64-QAM	2/3	216	240	<input type="checkbox"/>
<input checked="" type="checkbox"/>	16	2	64-QAM	3/4	243	270	<input type="checkbox"/>
<input checked="" type="checkbox"/>	17	2	64-QAM	5/6	270	300	<input type="checkbox"/>
<input checked="" type="checkbox"/>	18	2	256-QAM	3/4	324	360	<input type="checkbox"/>
<input checked="" type="checkbox"/>	19	2	256-QAM	5/6	360	400	<input type="checkbox"/>
<input checked="" type="checkbox"/>	20	3	BPSK	1/2	40,5	45	<input type="checkbox"/>
<input checked="" type="checkbox"/>	21	3	QPSK	1/2	81	90	<input type="checkbox"/>
<input checked="" type="checkbox"/>	22	3	QPSK	3/4	121,5	135	<input type="checkbox"/>
<input checked="" type="checkbox"/>	23	3	16-QAM	1/2	162	180	<input type="checkbox"/>
<input checked="" type="checkbox"/>	24	3	16-QAM	3/4	243	270	<input checked="" type="checkbox"/>
<input checked="" type="checkbox"/>	25	3	64-QAM	2/3	324	360	<input type="checkbox"/>
<input checked="" type="checkbox"/>	26	3	64-QAM	3/4	364,5	405	<input type="checkbox"/>
<input checked="" type="checkbox"/>	27	3	64-QAM	5/6	405	450	<input type="checkbox"/>
<input checked="" type="checkbox"/>	28	3	256-QAM	3/4	486	540	<input type="checkbox"/>
<input checked="" type="checkbox"/>	29	3	256-QAM	5/6	540	600	<input type="checkbox"/>
<input checked="" type="checkbox"/>	30	4	BPSK	1/2	54	60	<input type="checkbox"/>
<input checked="" type="checkbox"/>	31	4	QPSK	1/2	108	120	<input type="checkbox"/>
<input checked="" type="checkbox"/>	32	4	QPSK	3/4	162	180	<input type="checkbox"/>
<input checked="" type="checkbox"/>	33	4	16-QAM	1/2	216	240	<input type="checkbox"/>
<input checked="" type="checkbox"/>	34	4	16-QAM	3/4	324	360	<input type="checkbox"/>
<input checked="" type="checkbox"/>	35	4	64-QAM	2/3	432	480	<input type="checkbox"/>
<input checked="" type="checkbox"/>	36	4	64-QAM	3/4	486	540	<input type="checkbox"/>
<input checked="" type="checkbox"/>	37	4	64-QAM	5/6	540	600	<input type="checkbox"/>
<input checked="" type="checkbox"/>	38	4	256-QAM	3/4	648	720	<input type="checkbox"/>
<input checked="" type="checkbox"/>	39	4	256-QAM	5/6	720	800	<input type="checkbox"/>
<input checked="" type="checkbox"/>	40	5	BPSK	1/2	67,5	75	<input type="checkbox"/>
<input checked="" type="checkbox"/>	41	5	QPSK	1/2	135	150	<input type="checkbox"/>
<input checked="" type="checkbox"/>	42	5	QPSK	3/4	202,5	225	<input type="checkbox"/>
<input checked="" type="checkbox"/>	43	5	16-QAM	1/2	270	300	<input type="checkbox"/>
<input checked="" type="checkbox"/>	44	5	16-QAM	3/4	405	450	<input type="checkbox"/>
<input checked="" type="checkbox"/>	45	5	64-QAM	2/3	540	600	<input type="checkbox"/>
<input checked="" type="checkbox"/>	46	5	64-QAM	3/4	607,5	675	<input type="checkbox"/>
<input checked="" type="checkbox"/>	47	5	64-QAM	5/6	675	750	<input type="checkbox"/>
<input checked="" type="checkbox"/>	48	5	256-QAM	3/4	810	900	<input type="checkbox"/>
<input checked="" type="checkbox"/>	49	5	256-QAM	5/6	900	1000	<input type="checkbox"/>
<input checked="" type="checkbox"/>	50	6	BPSK	1/2	81	90	<input type="checkbox"/>
<input checked="" type="checkbox"/>	51	6	QPSK	1/2	162	180	<input type="checkbox"/>
<input checked="" type="checkbox"/>	52	6	QPSK	3/4	243	270	<input type="checkbox"/>
<input checked="" type="checkbox"/>	53	6	16-QAM	1/2	324	360	<input type="checkbox"/>
<input checked="" type="checkbox"/>	54	6	16-QAM	3/4	486	540	<input type="checkbox"/>
<input checked="" type="checkbox"/>	55	6	64-QAM	2/3	648	720	<input type="checkbox"/>
<input checked="" type="checkbox"/>	56	6	64-QAM	3/4	729	810	<input type="checkbox"/>
<input checked="" type="checkbox"/>	57	6	64-QAM	5/6	810	900	<input type="checkbox"/>
<input checked="" type="checkbox"/>	58	6	256-QAM	3/4	972	1080	<input type="checkbox"/>
<input checked="" type="checkbox"/>	59	6	256-QAM	5/6	1080	1200	<input type="checkbox"/>
<input checked="" type="checkbox"/>	60	7	BPSK	1/2	94,5	105	<input type="checkbox"/>
<input checked="" type="checkbox"/>	61	7	QPSK	1/2	189	210	<input type="checkbox"/>
<input checked="" type="checkbox"/>	62	7	QPSK	3/4	283,5	315	<input type="checkbox"/>
<input checked="" type="checkbox"/>	63	7	16-QAM	1/2	378	420	<input type="checkbox"/>
<input checked="" type="checkbox"/>	64	7	16-QAM	3/4	567	630	<input type="checkbox"/>
<input checked="" type="checkbox"/>	65	7	64-QAM	2/3	756	840	<input type="checkbox"/>
<input checked="" type="checkbox"/>	66	7	64-QAM	3/4	850,5	945	<input type="checkbox"/>
<input checked="" type="checkbox"/>	67	7	64-QAM	5/6	945	1050	<input type="checkbox"/>
<input checked="" type="checkbox"/>	68	7	256-QAM	3/4	1134	1260	<input type="checkbox"/>
<input checked="" type="checkbox"/>	69	7	256-QAM	5/6	1260	1400	<input type="checkbox"/>
<input checked="" type="checkbox"/>	70	8	BPSK	1/2	108	120	<input type="checkbox"/>
<input checked="" type="checkbox"/>	71	8	QPSK	1/2	216	240	<input type="checkbox"/>
<input checked="" type="checkbox"/>	72	8	QPSK	3/4	324	360	<input type="checkbox"/>
<input checked="" type="checkbox"/>	73	8	16-QAM	1/2	432	480	<input type="checkbox"/>
<input checked="" type="checkbox"/>	74	8	16-QAM	3/4	648	720	<input type="checkbox"/>
<input checked="" type="checkbox"/>	75	8	64-QAM	2/3	864	960	<input type="checkbox"/>
<input checked="" type="checkbox"/>	76	8	64-QAM	3/4	972	1080	<input type="checkbox"/>
<input checked="" type="checkbox"/>	77	8	64-QAM	5/6	1080	1200	<input type="checkbox"/>
<input checked="" type="checkbox"/>	78	8	256-QAM	3/4	1296	1440	<input type="checkbox"/>
<input checked="" type="checkbox"/>	79	8	256-QAM	5/6	1440	1600	<input type="checkbox"/>



L C I E

DATA RATE: 802.11ac VHT80							
Available for EUT	MCS Index	Nbr of spatial streams	Modulation (Stream 1/2/3/4)	Coding rate	GI = 800ns	GI = 400ns	Worst Case Modulation
<input checked="" type="checkbox"/>	0	1	BPSK	1/2	29.3	32.5	<input type="checkbox"/>
<input checked="" type="checkbox"/>	1	1	QPSK	1/2	58.5	65	<input type="checkbox"/>
<input checked="" type="checkbox"/>	2	1	QPSK	3/4	87.8	97.5	<input type="checkbox"/>
<input checked="" type="checkbox"/>	3	1	16-QAM	1/2	117	130	<input type="checkbox"/>
<input checked="" type="checkbox"/>	4	1	16-QAM	3/4	175.5	195	<input type="checkbox"/>
<input checked="" type="checkbox"/>	5	1	64-QAM	2/3	234	260	<input type="checkbox"/>
<input checked="" type="checkbox"/>	6	1	64-QAM	3/4	263.3	292.5	<input type="checkbox"/>
<input checked="" type="checkbox"/>	7	1	64-QAM	5/6	292.5	325	<input type="checkbox"/>
<input checked="" type="checkbox"/>	8	1	256-QAM	3/4	351	390	<input type="checkbox"/>
<input checked="" type="checkbox"/>	9	1	256-QAM	5/6	390	433.3	<input type="checkbox"/>
<input checked="" type="checkbox"/>	10	2	BPSK	1/2	58.6	65	<input type="checkbox"/>
<input checked="" type="checkbox"/>	11	2	QPSK	1/2	117	130	<input type="checkbox"/>
<input checked="" type="checkbox"/>	12	2	QPSK	3/4	175.6	195	<input type="checkbox"/>
<input checked="" type="checkbox"/>	13	2	16-QAM	1/2	234	260	<input type="checkbox"/>
<input checked="" type="checkbox"/>	14	2	16-QAM	3/4	351	390	<input type="checkbox"/>
<input checked="" type="checkbox"/>	15	2	64-QAM	2/3	468	520	<input type="checkbox"/>
<input checked="" type="checkbox"/>	16	2	64-QAM	3/4	526.6	585	<input type="checkbox"/>
<input checked="" type="checkbox"/>	17	2	64-QAM	5/6	585	650	<input type="checkbox"/>
<input checked="" type="checkbox"/>	18	2	256-QAM	3/4	702	780	<input type="checkbox"/>
<input checked="" type="checkbox"/>	19	2	256-QAM	5/6	780	866.6	<input type="checkbox"/>
<input checked="" type="checkbox"/>	20	3	BPSK	1/2	87.9	97.5	<input type="checkbox"/>
<input checked="" type="checkbox"/>	21	3	QPSK	1/2	175.5	195	<input type="checkbox"/>
<input checked="" type="checkbox"/>	22	3	QPSK	3/4	263.4	292.5	<input type="checkbox"/>
<input checked="" type="checkbox"/>	23	3	16-QAM	1/2	351	390	<input type="checkbox"/>
<input checked="" type="checkbox"/>	24	3	16-QAM	3/4	526.5	585	<input checked="" type="checkbox"/>
<input checked="" type="checkbox"/>	25	3	64-QAM	2/3	702	780	<input type="checkbox"/>
<input checked="" type="checkbox"/>	26	3	64-QAM	3/4	789.9	877.5	<input type="checkbox"/>
<input checked="" type="checkbox"/>	27	3	64-QAM	5/6	877.5	975	<input type="checkbox"/>
<input checked="" type="checkbox"/>	28	3	256-QAM	3/4	1053	1170	<input type="checkbox"/>
<input checked="" type="checkbox"/>	29	3	256-QAM	5/6	1170	1299.9	<input type="checkbox"/>
<input checked="" type="checkbox"/>	30	4	BPSK	1/2	117.2	130	<input type="checkbox"/>
<input checked="" type="checkbox"/>	31	4	QPSK	1/2	234	260	<input type="checkbox"/>
<input checked="" type="checkbox"/>	32	4	QPSK	3/4	351.2	390	<input type="checkbox"/>
<input checked="" type="checkbox"/>	33	4	16-QAM	1/2	468	520	<input type="checkbox"/>
<input checked="" type="checkbox"/>	34	4	16-QAM	3/4	702	780	<input type="checkbox"/>
<input checked="" type="checkbox"/>	35	4	64-QAM	2/3	936	1040	<input type="checkbox"/>
<input checked="" type="checkbox"/>	36	4	64-QAM	3/4	1053.2	1170	<input type="checkbox"/>
<input checked="" type="checkbox"/>	37	4	64-QAM	5/6	1170	1300	<input type="checkbox"/>
<input checked="" type="checkbox"/>	38	4	256-QAM	3/4	1404	1560	<input type="checkbox"/>
<input checked="" type="checkbox"/>	39	4	256-QAM	5/6	1560	1733.2	<input type="checkbox"/>
<input checked="" type="checkbox"/>	40	5	BPSK	1/2	146.5	162.5	<input type="checkbox"/>
<input checked="" type="checkbox"/>	41	5	QPSK	1/2	292.5	325	<input type="checkbox"/>
<input checked="" type="checkbox"/>	42	5	QPSK	3/4	439	487.5	<input type="checkbox"/>
<input checked="" type="checkbox"/>	43	5	16-QAM	1/2	585	650	<input type="checkbox"/>
<input checked="" type="checkbox"/>	44	5	16-QAM	3/4	877.5	975	<input type="checkbox"/>
<input checked="" type="checkbox"/>	45	5	64-QAM	2/3	1170	1300	<input type="checkbox"/>
<input checked="" type="checkbox"/>	46	5	64-QAM	3/4	1316.5	1462.5	<input type="checkbox"/>
<input checked="" type="checkbox"/>	47	5	64-QAM	5/6	1462.5	1625	<input type="checkbox"/>
<input checked="" type="checkbox"/>	48	5	256-QAM	3/4	1755	1950	<input type="checkbox"/>
<input checked="" type="checkbox"/>	49	5	256-QAM	5/6	1950	2166.5	<input type="checkbox"/>
<input checked="" type="checkbox"/>	50	6	BPSK	1/2	175.8	195	<input type="checkbox"/>
<input checked="" type="checkbox"/>	51	6	QPSK	1/2	351	390	<input type="checkbox"/>
<input checked="" type="checkbox"/>	52	6	QPSK	3/4	526.8	585	<input type="checkbox"/>
<input checked="" type="checkbox"/>	53	6	16-QAM	1/2	702	780	<input type="checkbox"/>
<input checked="" type="checkbox"/>	54	6	16-QAM	3/4	1053	1170	<input type="checkbox"/>
<input checked="" type="checkbox"/>	55	6	64-QAM	2/3	1404	1560	<input type="checkbox"/>
<input checked="" type="checkbox"/>	56	6	64-QAM	3/4	1579.8	1755	<input type="checkbox"/>
<input checked="" type="checkbox"/>	57	6	64-QAM	5/6	1755	1950	<input type="checkbox"/>
<input checked="" type="checkbox"/>	58	6	256-QAM	3/4	2106	2340	<input type="checkbox"/>
<input checked="" type="checkbox"/>	59	6	256-QAM	5/6	2340	2599.8	<input type="checkbox"/>
<input checked="" type="checkbox"/>	60	7	BPSK	1/2	205.1	227.5	<input type="checkbox"/>
<input checked="" type="checkbox"/>	61	7	QPSK	1/2	409.5	455	<input type="checkbox"/>
<input checked="" type="checkbox"/>	62	7	QPSK	3/4	614.6	682.5	<input type="checkbox"/>
<input checked="" type="checkbox"/>	63	7	16-QAM	1/2	819	910	<input type="checkbox"/>
<input checked="" type="checkbox"/>	64	7	16-QAM	3/4	1228.5	1365	<input type="checkbox"/>
<input checked="" type="checkbox"/>	65	7	64-QAM	2/3	1638	1820	<input type="checkbox"/>
<input checked="" type="checkbox"/>	66	7	64-QAM	3/4	1843.1	2047.5	<input type="checkbox"/>
<input checked="" type="checkbox"/>	67	7	64-QAM	5/6	2047.5	2275	<input type="checkbox"/>
<input checked="" type="checkbox"/>	68	7	256-QAM	3/4	2457	2730	<input type="checkbox"/>
<input checked="" type="checkbox"/>	69	7	256-QAM	5/6	2730	3033.1	<input type="checkbox"/>
<input checked="" type="checkbox"/>	70	8	BPSK	1/2	234.4	260	<input type="checkbox"/>
<input checked="" type="checkbox"/>	71	8	QPSK	1/2	468	520	<input type="checkbox"/>
<input checked="" type="checkbox"/>	72	8	QPSK	3/4	702.4	780	<input type="checkbox"/>
<input checked="" type="checkbox"/>	73	8	16-QAM	1/2	936	1040	<input type="checkbox"/>
<input checked="" type="checkbox"/>	74	8	16-QAM	3/4	1404	1560	<input type="checkbox"/>
<input checked="" type="checkbox"/>	75	8	64-QAM	2/3	1872	2080	<input type="checkbox"/>
<input checked="" type="checkbox"/>	76	8	64-QAM	3/4	2106.4	2340	<input type="checkbox"/>
<input checked="" type="checkbox"/>	77	8	64-QAM	5/6	2340	2600	<input type="checkbox"/>
<input checked="" type="checkbox"/>	78	8	256-QAM	3/4	2808	3120	<input type="checkbox"/>
<input checked="" type="checkbox"/>	79	8	256-QAM	5/6	3120	3466.4	<input type="checkbox"/>





Test report reference: N°

<b>802.11a</b>	
<b>Channel</b>	C2
EIRP TPC Max (dBm)	28.2
EIRP TPC Min (dBm)	22.9
Occupied Bandwidth (MHz)	16.6

<b>802.11n HT20/ac VHT20</b>	
<b>Channel</b>	C2
EIRP TPC Max (dBm)	28.0
EIRP TPC Min (dBm)	23.1
Occupied Bandwidth (MHz)	17.9

<b>802.11n HT40/ac VHT40</b>	
<b>Channel</b>	C4
EIRP TPC Max (dBm)	28.0
EIRP TPC Min (dBm)	23.1
Occupied Bandwidth (MHz)	36.4

<b>802.11ac VHT80</b>	
<b>Channel</b>	C6
EIRP TPC Max (dBm)	26.6
EIRP TPC Min (dBm)	22.7
Occupied Bandwidth (MHz)	75.6

## 2.2. RUNNING MODE

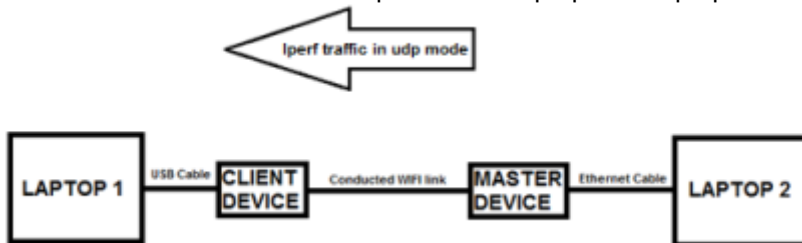
The EUT is set in the following modes during tests:

- Emission-reception with a duty cycle above 17% in the data rate that produced the highest output power

Following commands with the specific test software “Teraterm” are used to set the product:

- See document :” procedure tests.docx” for the command used to initialize the product.
- see document : « commandes dfs qtn.docx » for the command used during test.

-System testing is performed with iperf test software in udp mode from the Master Device to the Client Device on the test channel. The data traffic is performed Laptop 2 to Laptop 1



### 2.3. EQUIPMENT LABELLING



Power Supply



Power Supply



Power Supply



Power Supply

### 2.4. EQUIPMENT MODIFICATION

None       Modification:

### 3. DFS DETECTION THRESHOLDS DETERMINATION, REFERENCE NOISE LEVEL & CHANNEL LOADING

#### 3.1. TEST CONDITIONS

Test performed by : Arnaud FAYETTE  
 Date of test : April 14, 2016  
 Ambient temperature : 23 °C  
 Relative humidity : 47 %

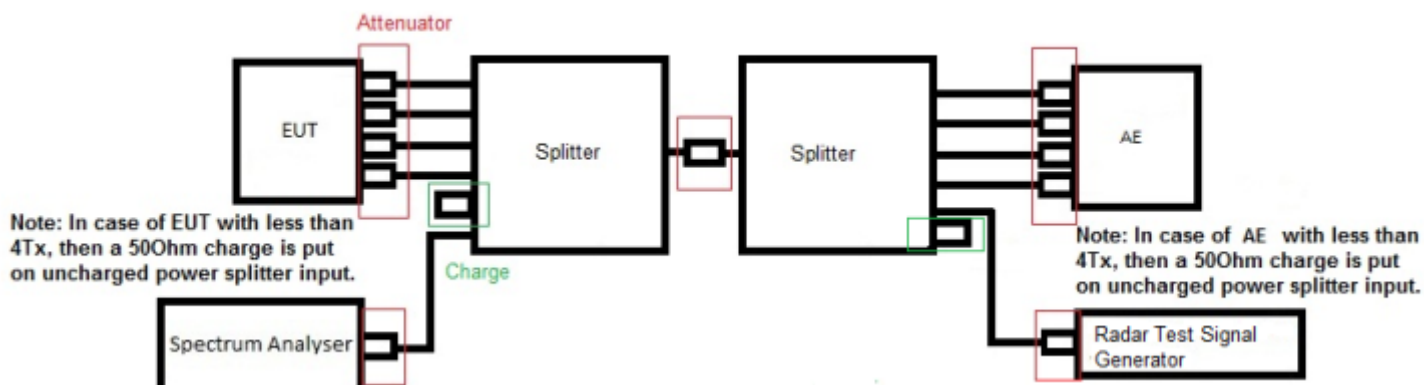
#### 3.2. TEST SETUP

- The Equipment Under Test is:

- On a table
- In an anechoic chamber

- Measurement is performed with a spectrum analyzer:

- On the EUT conducted access
- On the EUT with a test fixture





L C I E



Photograph for DFS Detection Thresholds Determination, Reference Noise Level, Channel Loading



### 3.3. TEST EQUIPMENT LIST

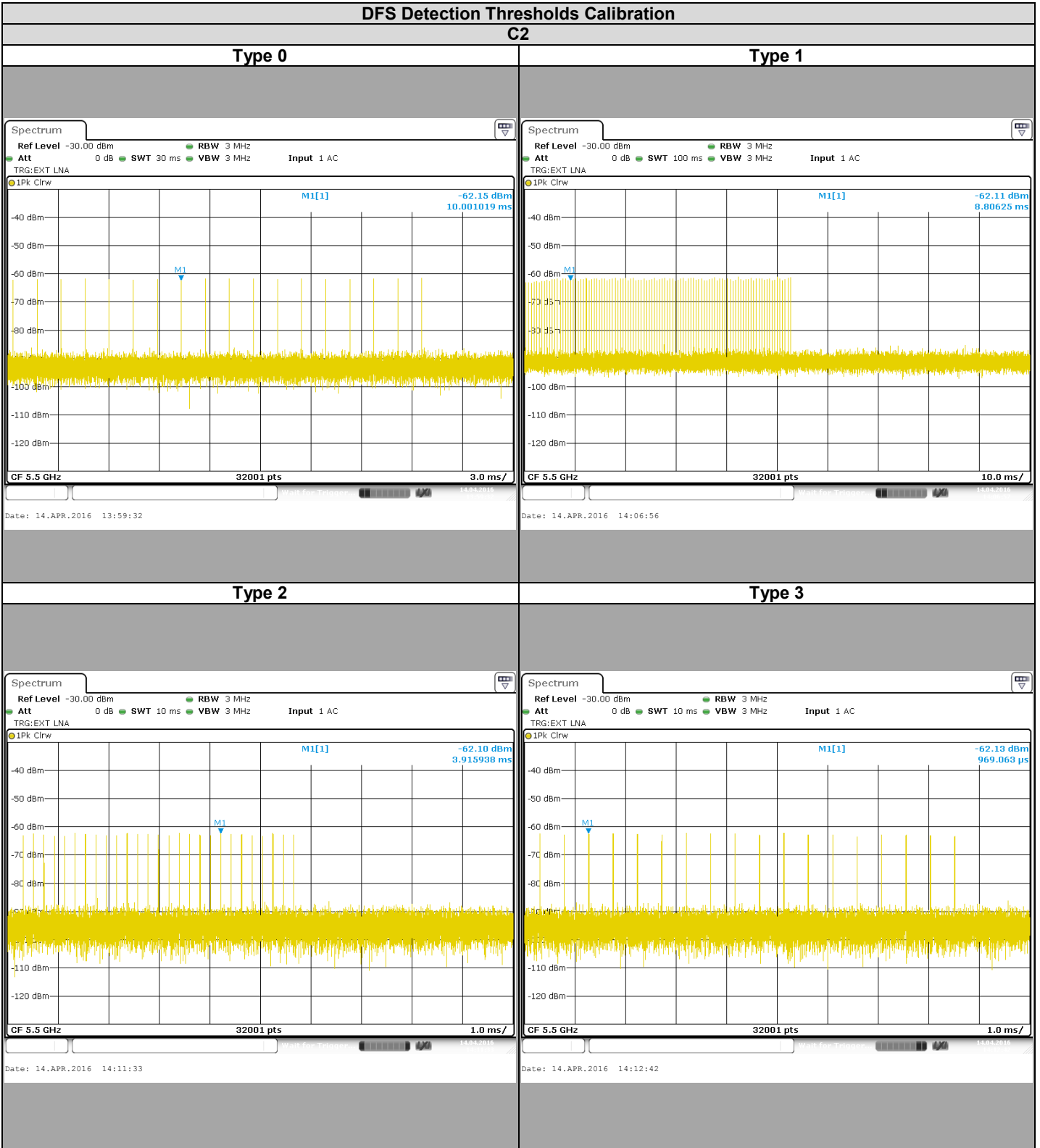
DESCRIPTION	MANUFACTURER	MODEL	N° LCIE	Cal_Date	Cal_Due
Multi-meter	ISOTECH	IDM 91E	A1240253	2015/08	2016/08
Spectrum analyzer	ROHDE & SCHWARZ	ESR	A2642023	2015/03	2016/03
RF cable	Télédyne	920-0202-024	A5329663	2014/04	2016/04
RF cable	Télédyne	920-0202-024	A5329664	2014/04	2016/04
RF cable	Télédyne	920-0202-024	A5329665	2014/04	2016/04
RF cable	Télédyne	920-0202-024	A5329668	2014/04	2016/04
RF cable	Télédyne	920-0202-024	A5329669	2014/04	2016/04
RF cable	Télédyne	920-0202-024	A5329670	2014/04	2016/04
RF cable	Télédyne	920-0202-024	A5329670	2014/04	2016/04
RF cable	Télédyne	920-0202-024	A5329672	2014/04	2016/04
RF cable	Télédyne	920-0202-024	A5329673	2014/04	2016/04
Vector signal generator	ROHDE & SCHWARZ	SMJ100A	A5444007	Verified with calibrated EMI receiver/ Spectrum analyzer before testing	
Programmable AC/DC power supply	KIKUSUI	PCR500M	A7040079	Verified with calibrated multimeter before testing	
Attenuator 10dB	MINI CIRCUITS	BW-S10W2+	A7122229	2014/04	2016/04
Attenuator 10dB	MINI CIRCUITS	BW-S10W2+	A7122230	2014/04	2016/04
RF cable & Attenuator 20dB	Télédyne & MINI CIRCUITS	920-0202-024 & FW-20+	A5329661	2014/10	2016/10
RF cable & Attenuator 20dB	Télédyne & MINI CIRCUITS	920-0202-024 & FW-20+	A5329676	2014/10	2016/10
RF cable & Attenuator 20dB	Télédyne & MINI CIRCUITS	920-0202-024 & FW-20+	A5329674	2014/10	2016/10
RF cable & Attenuator 20dB	Télédyne & MINI CIRCUITS	920-0202-024 & FW-20+	A5329675	2014/10	2016/10
Attenuator 3dB	MINI CIRCUITS	BW-S3W2+	A7122238	2014/04	2016/04
Attenuator 3dB	MINI CIRCUITS	BW-S3W2+	A7122239	2014/04	2016/04
Attenuator 3dB	MINI CIRCUITS	BW-S3W2+	A7122240	2014/04	2016/04
Attenuator 3dB	MINI CIRCUITS	BW-S3W2+	A7122241	2014/04	2016/04
Attenuator 3dB	MINI CIRCUITS	BW-S3W2+	A7122242	2014/04	2016/04
Attenuator 3dB	MINI CIRCUITS	BW-S3W2+	A7122243	2014/04	2016/04
Power splitter	Mini-Circuits	ZN6PD-63W-S+	A7132040	2014/04	2016/04
Power splitter	Mini-Circuits	ZN6PD-63W-S+	A7132041	2014/04	2016/04
Load 50 ohms	Fairview Microwave	ST0635F	A7152075	2014/04	2016/04
Load 50 ohms	Fairview Microwave	ST0635F	A7152076	2014/04	2016/04
Load 50 ohms	Fairview Microwave	ST0635F	A7152077	2014/04	2016/04
Load 50 ohms	Fairview Microwave	ST0635F	A7152078	2014/04	2016/04

Note : In our Quality System, the calibration due of our equipment is more or less 2 months.



L C I E

### 3.4. RESULTS





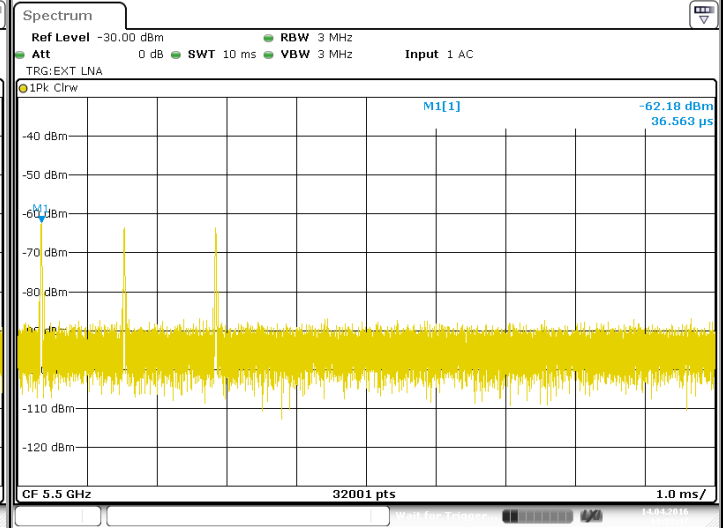
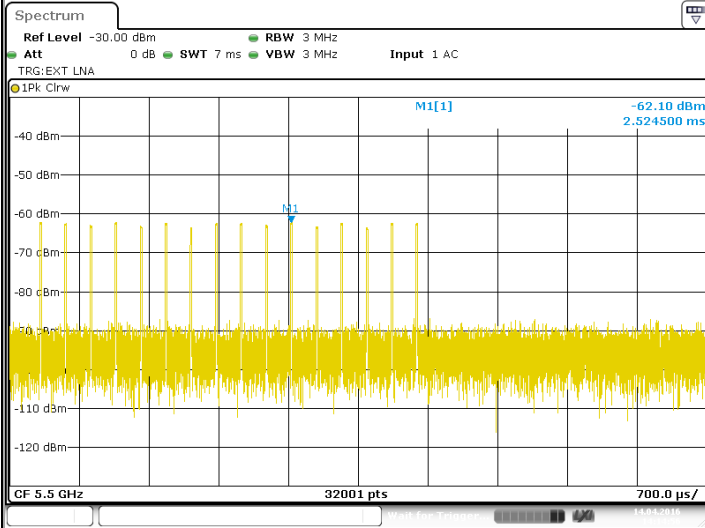
L C I E

### DFS Detection Thresholds Calibration

C2

Type 4

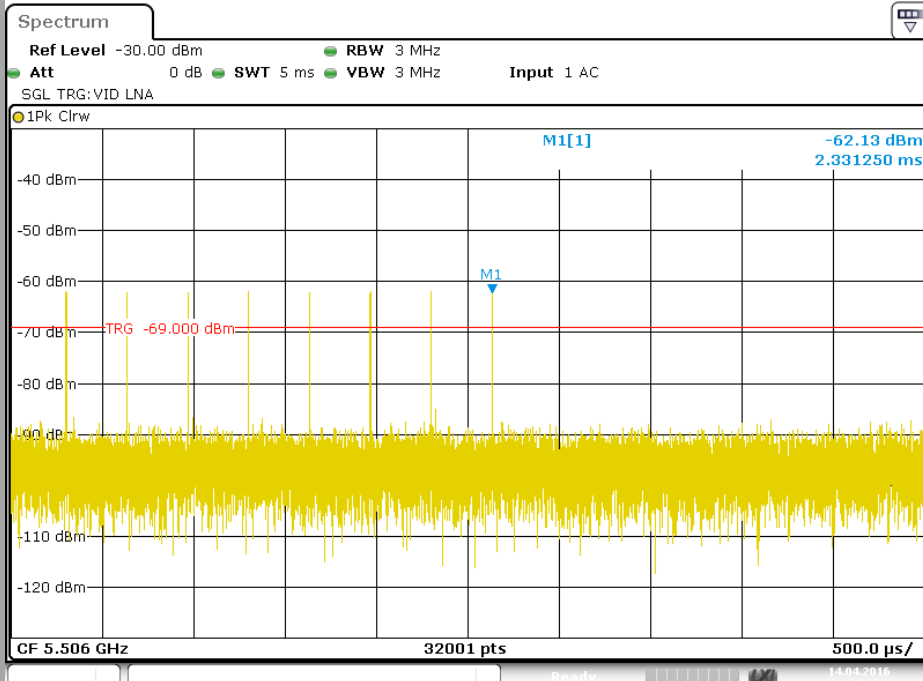
Type 5



Date: 14.APR.2016 14:14:56

Date: 14.APR.2016 14:33:46

Type 6



Date: 14.APR.2016 14:50:54





L C I E

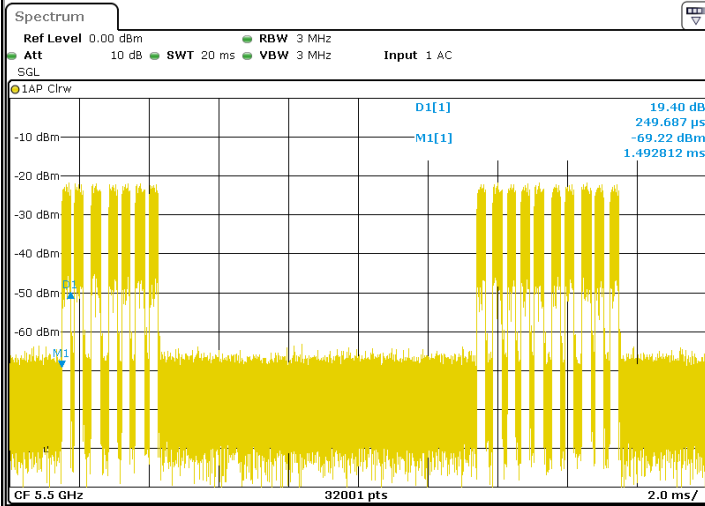
Channel	Channel
Applicable Level (dBm)	-64
Lowest Antenna Gain (dBi)	1,9
DFS Detection Thresholds (dBm)	-62,1
Additional Level (dB)	1
Radar Level (dBm)	-61,1



L C I E

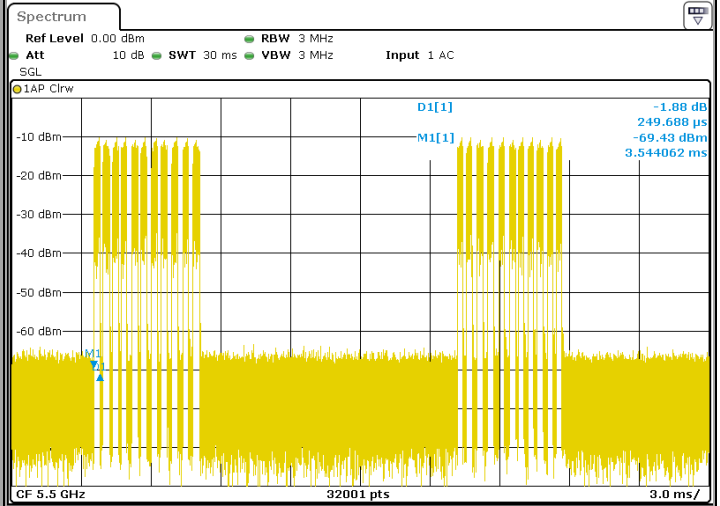
Master Traffic

802.11a



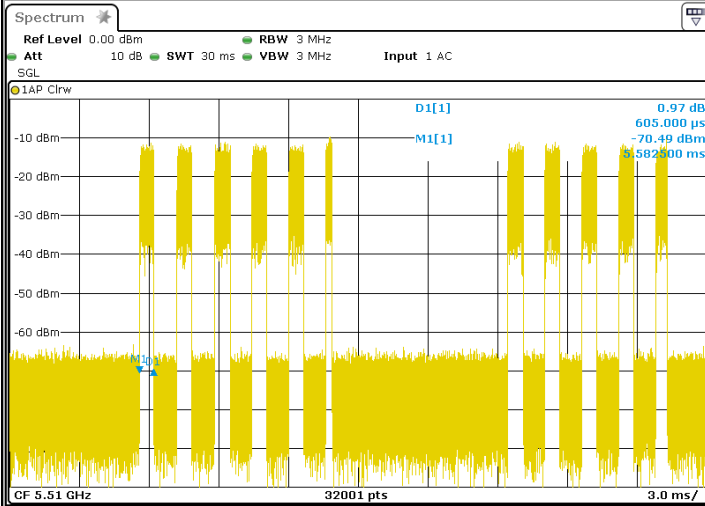
Date: 18.APR.2016 09:31:59

802.11n HT20



Date: 18.APR.2016 10:14:04

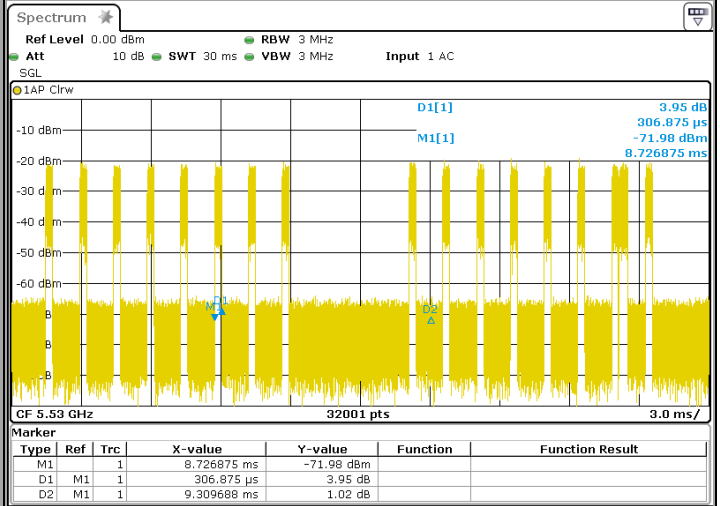
802.11n HT40



Date: 18.APR.2016 10:56:59

Duty Cycle (%)

802.11ac VHT80



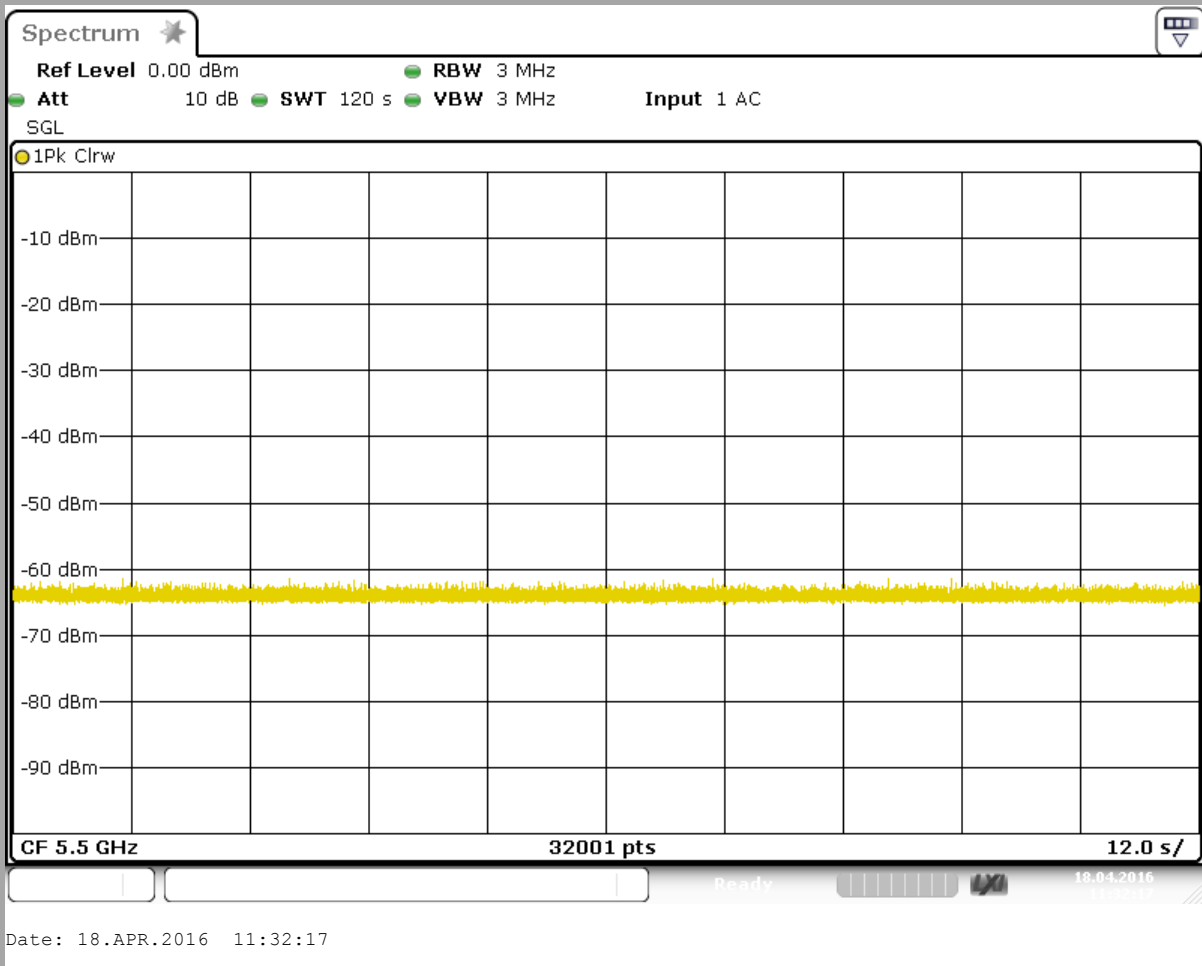
Date: 18.APR.2016 11:09:24

Over 17%



L C I E

Reference Noise Level  
Channel



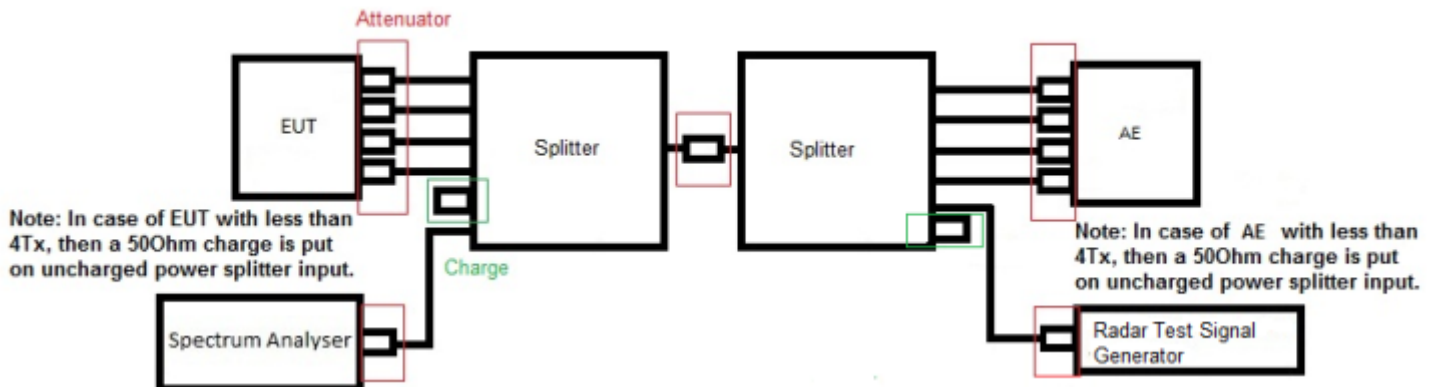
**4. DYNAMIC FREQUENCY SELECTION (DFS): CHANNEL AVAILABILITY CHECK TIME & DFS DETECTION THRESHOLD**

**4.1. TEST CONDITIONS**

Test performed by : Arnaud FAYETTE  
 Date of test : January 15, 2016  
 Ambient temperature : 23 °C  
 Relative humidity : 47 %

**4.2. TEST SETUP**

- The Equipment Under Test is:
  - On a table
  - In an anechoic chamber
- Measurement is performed with a spectrum analyzer:
  - On the EUT conducted access
  - On the EUT with a test fixture





Photograph for Channel Availability Check

#### 4.3. LIMIT

Channel Availability Check Time shall exceed 60 seconds  
Radard burst must be detected at the start & the end of Channel Availability Check Time



#### 4.4. TEST EQUIPMENT LIST

DESCRIPTION	MANUFACTURER	MODEL	N° LCIE	Cal_Date	Cal_Due
Multi-meter	ISOTECH	IDM 91E	A1240253	2015/08	2016/08
Spectrum analyzer	ROHDE & SCHWARZ	ESR	A2642023	2015/03	2016/03
RF cable	Télédyne	920-0202-024	A5329663	2014/04	2016/04
RF cable	Télédyne	920-0202-024	A5329664	2014/04	2016/04
RF cable	Télédyne	920-0202-024	A5329665	2014/04	2016/04
RF cable	Télédyne	920-0202-024	A5329668	2014/04	2016/04
RF cable	Télédyne	920-0202-024	A5329669	2014/04	2016/04
RF cable	Télédyne	920-0202-024	A5329670	2014/04	2016/04
RF cable	Télédyne	920-0202-024	A5329670	2014/04	2016/04
RF cable	Télédyne	920-0202-024	A5329672	2014/04	2016/04
RF cable	Télédyne	920-0202-024	A5329673	2014/04	2016/04
Vector signal generator	ROHDE & SCHWARZ	SMJ100A	A5444007	Verified with calibrated EMI receiver/ Spectrum analyzer before testing	
Programmable AC/DC power supply	KIKUSUI	PCR500M	A7040079	Verified with calibrated multimeter before testing	
Attenuator 10dB	MINI CIRCUITS	BW-S10W2+	A7122229	2014/04	2016/04
Attenuator 10dB	MINI CIRCUITS	BW-S10W2+	A7122230	2014/04	2016/04
RF cable & Attenuator 20dB	Télédyne & MINI CIRCUITS	920-0202-024 & FW-20+	A5329661	2014/10	2016/10
RF cable & Attenuator 20dB	Télédyne & MINI CIRCUITS	920-0202-024 & FW-20+	A5329676	2014/10	2016/10
RF cable & Attenuator 20dB	Télédyne & MINI CIRCUITS	920-0202-024 & FW-20+	A5329674	2014/10	2016/10
RF cable & Attenuator 20dB	Télédyne & MINI CIRCUITS	920-0202-024 & FW-20+	A5329675	2014/10	2016/10
Attenuator 3dB	MINI CIRCUITS	BW-S3W2+	A7122238	2014/04	2016/04
Attenuator 3dB	MINI CIRCUITS	BW-S3W2+	A7122239	2014/04	2016/04
Attenuator 3dB	MINI CIRCUITS	BW-S3W2+	A7122240	2014/04	2016/04
Attenuator 3dB	MINI CIRCUITS	BW-S3W2+	A7122241	2014/04	2016/04
Attenuator 3dB	MINI CIRCUITS	BW-S3W2+	A7122242	2014/04	2016/04
Attenuator 3dB	MINI CIRCUITS	BW-S3W2+	A7122243	2014/04	2016/04
Power splitter	Mini-Circuits	ZN6PD-63W-S+	A7132040	2014/04	2016/04
Power splitter	Mini-Circuits	ZN6PD-63W-S+	A7132041	2014/04	2016/04
Load 50 ohms	Fairview Microwave	ST0635F	A7152075	2014/04	2016/04
Load 50 ohms	Fairview Microwave	ST0635F	A7152076	2014/04	2016/04
Load 50 ohms	Fairview Microwave	ST0635F	A7152077	2014/04	2016/04
Load 50 ohms	Fairview Microwave	ST0635F	A7152078	2014/04	2016/04

Note : In our Quality System, the calibration due of our equipment is more or less 2 months.

#### 4.5. DIVERGENCE, ADDITION OR SUPPRESSION ON THE TEST SPECIFICATION

None       Divergence:



L C I E

4.6. RESULTS

Channel Availability Check		
802.11a		
C2		
Channel Availability Check Time	Radar Type 0 at the beginning of the Channel Availability Check Time	
<p>Ref Level 0.00 dBm RBW 3 MHz Att 10 dB SWT 150 s VBW 3 MHz Input 1 AC SGL 1PK Clrw M1[1] -62.93 dBm 15.0 s</p> <p>CF 5.5 GHz 32001 pts 15.0 s/</p> <p>Date: 18.APR.2016 13:38:26</p>	<p>Ref Level 0.00 dBm RBW 3 MHz Att 10 dB SWT 150 s VBW 3 MHz Input 1 AC SGL 1PK Clrw M1[1] -53.70 dBm 2.10000 s</p> <p>CF 5.5 GHz 32001 pts 15.0 s/</p> <p>Date: 18.APR.2016 13:28:36</p>	
Radar Type 0 at the end of the Channel Availability Check Time		
<p>Ref Level 0.00 dBm RBW 3 MHz Att 10 dB SWT 150 s VBW 3 MHz Input 1 AC SGL 1PK Clrw M1[1] -53.30 dBm 56.93438 s</p> <p>CF 5.5 GHz 32001 pts 15.0 s/</p> <p>Date: 18.APR.2016 13:58:51</p>		
Channel Availability Check Time (s)	68.29	
Radar burst Type 0 at the beginning of Channel Availability Check time detected & no transmission from the EUT on the tested channel	<input checked="" type="checkbox"/> Yes	<input type="checkbox"/> No
Radar burst Type 0 at the end of Channel Availability Check time detected & no transmission from the EUT on the tested channel	<input checked="" type="checkbox"/> Yes	<input type="checkbox"/> No



#### 4.7. CONCLUSION

Channel Availability Check Time & DFS Detection Threshold measurement performed on the sample of the product **BELL CANADA FAST 5566**, SN: **DM1603203000012**, in configuration and description presented in this test report, show levels **compliant** to the **47 CFR PART 15.407 & RSS 247 ISSUE 1** limits.



## 5. DYNAMIC FREQUENCY SELECTION (DFS): U-NII DETECTION BANDWIDTH

### 5.1. TEST CONDITIONS

Test performed by : Arnaud FAYETTE  
 Date of test : January 19, 2016  
 Ambient temperature : 23 °C  
 Relative humidity : 47 %

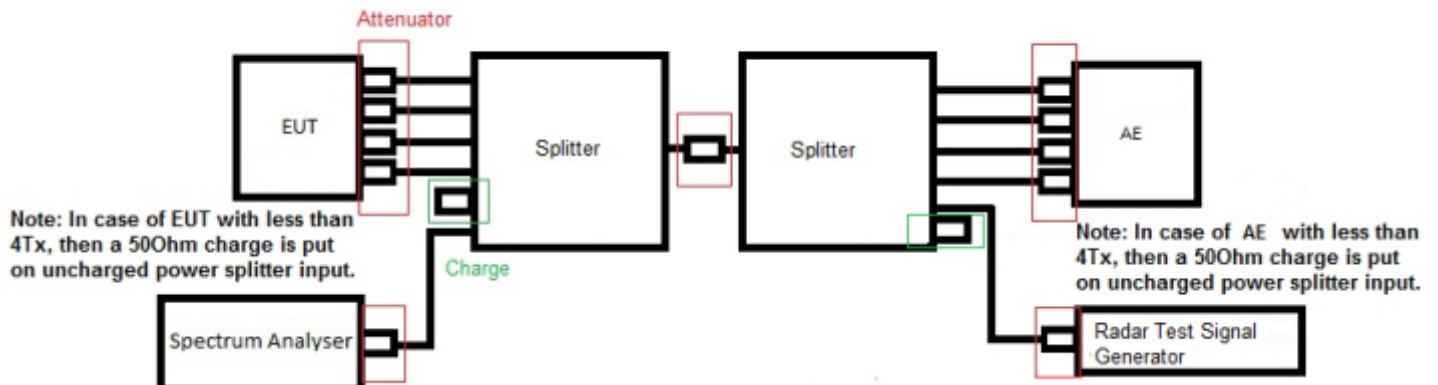
### 5.2. TEST SETUP

- The Equipment Under Test is:

- On a table
- In an anechoic chamber

- Measurement is performed with a spectrum analyzer:

- On the EUT conducted access
- On the EUT with a test fixture





L C I E



Photograph for U-NII Detection Bandwidth



### 5.3. LIMIT

Minimum 100% of the U-NII 99% transmission power bandwidth

### 5.4. TEST EQUIPMENT LIST

DESCRIPTION	MANUFACTURER	MODEL	N° LCIE	Cal_Date	Cal_Due
Multi-meter	ISOTECH	IDM 91E	A1240253	2015/08	2016/08
Spectrum analyzer	ROHDE & SCHWARZ	ESR	A2642023	2015/03	2016/03
RF cable	Télédyne	920-0202-024	A5329663	2014/04	2016/04
RF cable	Télédyne	920-0202-024	A5329664	2014/04	2016/04
RF cable	Télédyne	920-0202-024	A5329665	2014/04	2016/04
RF cable	Télédyne	920-0202-024	A5329668	2014/04	2016/04
RF cable	Télédyne	920-0202-024	A5329669	2014/04	2016/04
RF cable	Télédyne	920-0202-024	A5329670	2014/04	2016/04
RF cable	Télédyne	920-0202-024	A5329670	2014/04	2016/04
RF cable	Télédyne	920-0202-024	A5329672	2014/04	2016/04
RF cable	Télédyne	920-0202-024	A5329673	2014/04	2016/04
Vector signal generator	ROHDE & SCHWARZ	SMJ100A	A5444007	Verified with calibrated EMI receiver/ Spectrum analyzer before testing	
Programmable AC/DC power supply	KIKUSUI	PCR500M	A7040079	Verified with calibrated multimeter before testing	
Attenuator 10dB	MINI CIRCUITS	BW-S10W2+	A7122229	2014/04	2016/04
Attenuator 10dB	MINI CIRCUITS	BW-S10W2+	A7122230	2014/04	2016/04
RF cable & Attenuator 20dB	Télédyne & MINI CIRCUITS	920-0202-024 & FW-20+	A5329661	2014/10	2016/10
RF cable & Attenuator 20dB	Télédyne & MINI CIRCUITS	920-0202-024 & FW-20+	A5329676	2014/10	2016/10
RF cable & Attenuator 20dB	Télédyne & MINI CIRCUITS	920-0202-024 & FW-20+	A5329674	2014/10	2016/10
RF cable & Attenuator 20dB	Télédyne & MINI CIRCUITS	920-0202-024 & FW-20+	A5329675	2014/10	2016/10
Attenuator 3dB	MINI CIRCUITS	BW-S3W2+	A7122238	2014/04	2016/04
Attenuator 3dB	MINI CIRCUITS	BW-S3W2+	A7122239	2014/04	2016/04
Attenuator 3dB	MINI CIRCUITS	BW-S3W2+	A7122240	2014/04	2016/04
Attenuator 3dB	MINI CIRCUITS	BW-S3W2+	A7122241	2014/04	2016/04
Attenuator 3dB	MINI CIRCUITS	BW-S3W2+	A7122242	2014/04	2016/04
Attenuator 3dB	MINI CIRCUITS	BW-S3W2+	A7122243	2014/04	2016/04
Power splitter	Mini-Circuits	ZN6PD-63W-S+	A7132040	2014/04	2016/04
Power splitter	Mini-Circuits	ZN6PD-63W-S+	A7132041	2014/04	2016/04
Load 50 ohms	Fairview Microwave	ST0635F	A7152075	2014/04	2016/04
Load 50 ohms	Fairview Microwave	ST0635F	A7152076	2014/04	2016/04
Load 50 ohms	Fairview Microwave	ST0635F	A7152077	2014/04	2016/04
Load 50 ohms	Fairview Microwave	ST0635F	A7152078	2014/04	2016/04

Note : In our Quality System, the calibration due of our equipment is more or less 2 months.

### 5.5. DIVERGENCE, ADDITION OR SUPPRESSION ON THE TEST SPECIFICATION

None       Divergence:

## 5.6. RESULTS

<b>802.11a</b>	
Channel	Channel
FL (M Hz)	5490
FH (M Hz)	5510
U-NII Detection bandwidth (M Hz)	20
99%Occupied bandwidth (M Hz)	16,6
U-NII Detection Bandwidth (%)	120,5

<b>Mode</b>	
Channel	Channel
FL (M Hz)	5490
FH (M Hz)	5510
U-NII Detection bandwidth (M Hz)	20
99%Occupied bandwidth (M Hz)	17,9
U-NII Detection Bandwidth (%)	111,7

<b>Mode</b>	
Channel	Channel
FL (M Hz)	5490
FH (M Hz)	5530
U-NII Detection bandwidth (M Hz)	40
99%Occupied bandwidth (M Hz)	36,5
U-NII Detection Bandwidth (%)	109,6



802.11ac VHT80	
Channel	Channel
FL (M Hz)	5490
FH (M Hz)	5570
U-NII Detection bandwidth (M Hz)	80
99%Occupied bandwidth (M Hz)	75,7
U-NII Detection Bandwidth (%)	105,7

#### 5.7. CONCLUSION

U-NII Detection Bandwidth measurement performed on the sample of the product **BELL CANADA FAST 5566**, SN: **DM1603203000012**, in configuration and description presented in this test report, show levels **compliant** to the 47 CFR PART 15.407 & RSS 247 ISSUE 1 limits.

## 6. DYNAMIC FREQUENCY SELECTION (DFS): STATISTICAL PERFORMANCE CHECK & DFS DETECTION THRESHOLD

### 6.1. TEST CONDITIONS

Test performed by : Arnaud FAYETTE  
 Date of test : January 18, 2016 to January 19, 2016  
 Ambient temperature : 23 °C  
 Relative humidity : 45 %

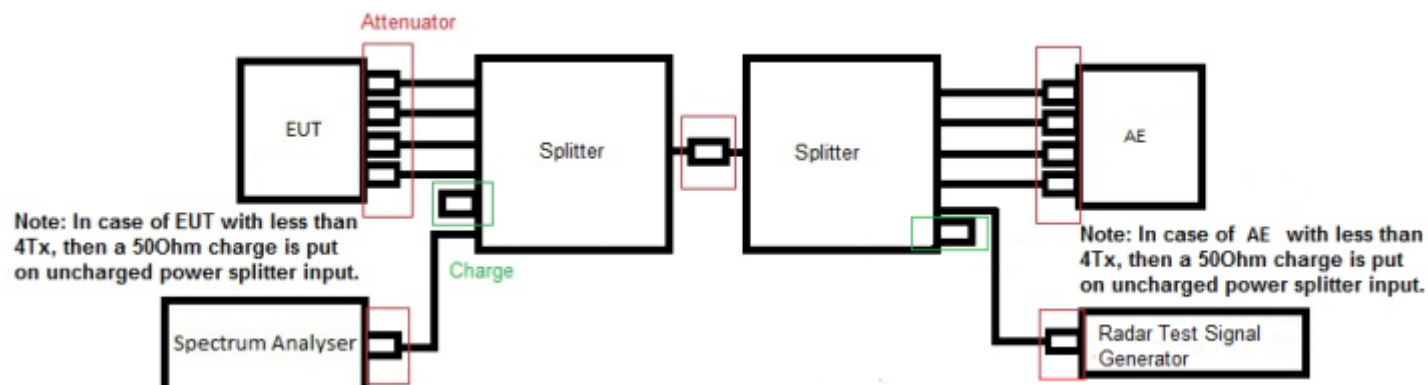
### 6.2. TEST SETUP

- The Equipment Under Test is:

- On a table
- In an anechoic chamber

- Measurement is performed with a spectrum analyzer:

- On the EUT conducted access
- On the EUT with a test fixture





L C I E



Photograph for Statistical Performance Check & DFS Detection Threshold



L C I E

**6.3. LIMIT**

Short Pulse Radar Test Waveform					
Radar Type	Pulse Width (µsec)	PRI (µsec)	Number of Pulses	Minimum Percentage of Successful Detection	Minimum Number of Trials
1	1	See pulse sequence	$(1/360) * (19 * 10^6 / 3066)$	60%	30
2	1-5	150-230	23-29	60%	30
3	6-10	200-500	16-18	60%	30
4	11-20	200-500	12-16	60%	30
Aggregate Radar Type 1-4 (%)				80%	120

Long Pulse Radar Test Waveform							
Radar Type	Pulse Width (µsec)	Chirp Width (MHz)	PRI (µsec)	Number of Pulses	Number of Bursts	Minimum Percentage of Successful Detection	Minimum Number of Trials
5	50-100	5-20	1000-2000	1-3	8-20	80%	30

Frequency Hopping Radar Test Waveform							
Radar Type	Pulse Width (µsec)	PRI (µsec)	Pulses per Hop	Hopping Rate (kHz)	Hopping Sequence Length (msec)	Minimum Percentage of Successful Detection	Minimum Number of Trials
6	1	333	9	0.333	300	70%	30





#### 6.4. TEST EQUIPMENT LIST

DESCRIPTION	MANUFACTURER	MODEL	N° LCIE	Cal_Date	Cal_Due
Multi-meter	ISOTECH	IDM 91E	A1240253	2015/08	2016/08
Spectrum analyzer	ROHDE & SCHWARZ	ESR	A2642023	2015/03	2016/03
RF cable	Télédyne	920-0202-024	A5329663	2014/04	2016/04
RF cable	Télédyne	920-0202-024	A5329664	2014/04	2016/04
RF cable	Télédyne	920-0202-024	A5329665	2014/04	2016/04
RF cable	Télédyne	920-0202-024	A5329668	2014/04	2016/04
RF cable	Télédyne	920-0202-024	A5329669	2014/04	2016/04
RF cable	Télédyne	920-0202-024	A5329670	2014/04	2016/04
RF cable	Télédyne	920-0202-024	A5329670	2014/04	2016/04
RF cable	Télédyne	920-0202-024	A5329672	2014/04	2016/04
RF cable	Télédyne	920-0202-024	A5329673	2014/04	2016/04
Vector signal generator	ROHDE & SCHWARZ	SMJ100A	A5444007	Verified with calibrated EMI receiver/ Spectrum analyzer before testing	
Programmable AC/DC power supply	KIKUSUI	PCR500M	A7040079	Verified with calibrated multimeter before testing	
Attenuator 10dB	MINI CIRCUITS	BW-S10W2+	A7122229	2014/04	2016/04
Attenuator 10dB	MINI CIRCUITS	BW-S10W2+	A7122230	2014/04	2016/04
RF cable & Attenuator 20dB	Télédyne & MINI CIRCUITS	920-0202-024 & FW-20+	A5329661	2014/10	2016/10
RF cable & Attenuator 20dB	Télédyne & MINI CIRCUITS	920-0202-024 & FW-20+	A5329676	2014/10	2016/10
RF cable & Attenuator 20dB	Télédyne & MINI CIRCUITS	920-0202-024 & FW-20+	A5329674	2014/10	2016/10
RF cable & Attenuator 20dB	Télédyne & MINI CIRCUITS	920-0202-024 & FW-20+	A5329675	2014/10	2016/10
Attenuator 3dB	MINI CIRCUITS	BW-S3W2+	A7122238	2014/04	2016/04
Attenuator 3dB	MINI CIRCUITS	BW-S3W2+	A7122239	2014/04	2016/04
Attenuator 3dB	MINI CIRCUITS	BW-S3W2+	A7122240	2014/04	2016/04
Attenuator 3dB	MINI CIRCUITS	BW-S3W2+	A7122241	2014/04	2016/04
Attenuator 3dB	MINI CIRCUITS	BW-S3W2+	A7122242	2014/04	2016/04
Attenuator 3dB	MINI CIRCUITS	BW-S3W2+	A7122243	2014/04	2016/04
Power splitter	Mini-Circuits	ZN6PD-63W-S+	A7132040	2014/04	2016/04
Power splitter	Mini-Circuits	ZN6PD-63W-S+	A7132041	2014/04	2016/04
Load 50 ohms	Fairview Microwave	ST0635F	A7152075	2014/04	2016/04
Load 50 ohms	Fairview Microwave	ST0635F	A7152076	2014/04	2016/04
Load 50 ohms	Fairview Microwave	ST0635F	A7152077	2014/04	2016/04
Load 50 ohms	Fairview Microwave	ST0635F	A7152078	2014/04	2016/04

Note : In our Quality System, the calibration due of our equipment is more or less 2 months.

**6.5. DIVERGENCE, ADDITION OR SUPPRESSION ON THE TEST SPECIFICATION**

None       Divergence:

**6.6. RESULTS**

<b>802.11a</b>	
<b>Short Pulse Radar</b>	
Channel	Channel
Detection Radar Type 1 (%)	100
Detection Radar Type 2 (%)	96,7
Detection Radar Type 3 (%)	90
Detection Radar Type 4 (%)	90
Aggregate Radar Type 1-4 (%)	94,175
<b>Long Pulse Radar</b>	
Detection Radar Type 5 (%)	93.3
<b>Frequency Hopping Radar</b>	
Detection Radar Type 6 (%)	100

<b>802.11n HT20</b>	
<b>Short Pulse Radar</b>	
Channel	Channel
Detection Radar Type 1 (%)	100
Detection Radar Type 2 (%)	93,3
Detection Radar Type 3 (%)	90
Detection Radar Type 4 (%)	80
Aggregate Radar Type 1-4 (%)	90,825
<b>Long Pulse Radar</b>	
Detection Radar Type 5 (%)	93.3
<b>Frequency Hopping Radar</b>	
Detection Radar Type 6 (%)	100



802.11n HT40	
Short Pulse Radar	
Channel	Channel
Detection Radar Type 1 (%)	100
Detection Radar Type 2 (%)	86,7
Detection Radar Type 3 (%)	86,7
Detection Radar Type 4 (%)	93,3
Aggregate Radar Type 1-4 (%)	91,675
Long Pulse Radar	
Detection Radar Type 5 (%)	96.7
Frequency Hopping Radar	
Detection Radar Type 6 (%)	100

802.11ac VHT80	
Short Pulse Radar	
Channel	Channel
Detection Radar Type 1 (%)	100
Detection Radar Type 2 (%)	100
Detection Radar Type 3 (%)	96,7
Detection Radar Type 4 (%)	93,3
Aggregate Radar Type 1-4 (%)	97,5
Long Pulse Radar	
Detection Radar Type 5 (%)	100
Frequency Hopping Radar	
Detection Radar Type 6 (%)	100

## 6.7. CONCLUSION

Statistical Performance Check & DFS Detection Threshold measurement performed on the sample of the product **BELL CANADA FAST 5566**, SN: **DM1603203000012**, in configuration and description presented in this test report, show levels **compliant** to the 47 CFR PART 15.407 & RSS 247 ISSUE 1 limits.

## 7. DYNAMIC FREQUENCY SELECTION (DFS): CHANNEL CLOSING TRANSMISSION TIME & CHANNEL MOVE TIME

### 7.1. TEST CONDITIONS

Test performed by : Arnaud FAYETTE  
 Date of test : January 18, 2016  
 Ambient temperature : 23 °C  
 Relative humidity : 47 %

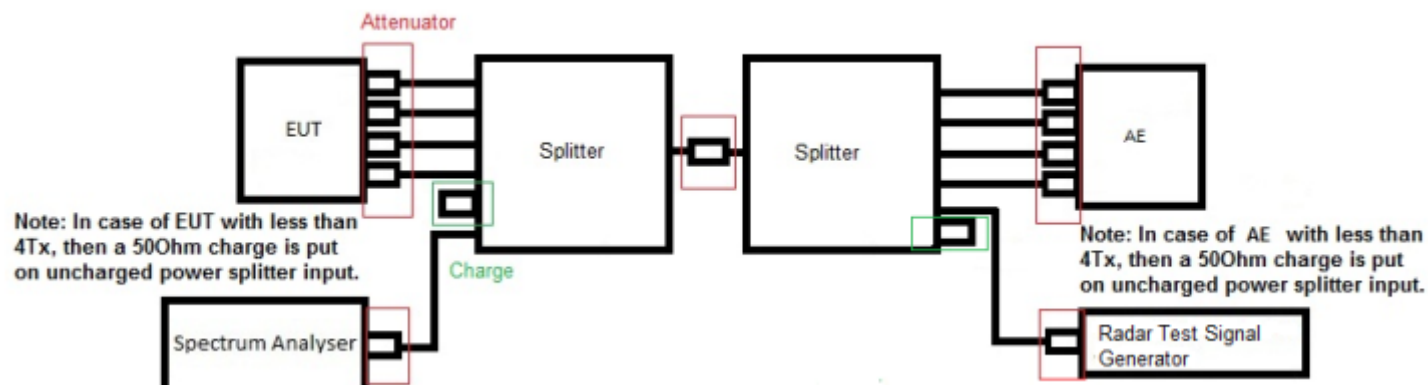
### 7.2. TEST SETUP

- The Equipment Under Test is:

- On a table
- In an anechoic chamber

- Measurement is performed with a spectrum analyzer:

- On the EUT conducted access
- On the EUT with a test fixture





L C I E



Photograph for DFS Channel Closing Transmission Time



### 7.3. LIMIT

Channel Closing Transmission Time shall not exceed 200ms + an aggregate of 60ms over remaining 10s period  
Channel Move Time shall not exceed 10seconds

### 7.4. TEST EQUIPMENT LIST

DESCRIPTION	MANUFACTURER	MODEL	N° LCIE	Cal_Date	Cal_Due
Multi-meter	ISOTECH	IDM 91E	A1240253	2015/08	2016/08
Spectrum analyzer	ROHDE & SCHWARZ	ESR	A2642023	2015/03	2016/03
RF cable	Télédyne	920-0202-024	A5329663	2014/04	2016/04
RF cable	Télédyne	920-0202-024	A5329664	2014/04	2016/04
RF cable	Télédyne	920-0202-024	A5329665	2014/04	2016/04
RF cable	Télédyne	920-0202-024	A5329668	2014/04	2016/04
RF cable	Télédyne	920-0202-024	A5329669	2014/04	2016/04
RF cable	Télédyne	920-0202-024	A5329670	2014/04	2016/04
RF cable	Télédyne	920-0202-024	A5329670	2014/04	2016/04
RF cable	Télédyne	920-0202-024	A5329672	2014/04	2016/04
RF cable	Télédyne	920-0202-024	A5329673	2014/04	2016/04
Vector signal generator	ROHDE & SCHWARZ	SMJ100A	A5444007	Verified with calibrated EMI receiver/ Spectrum analyzer before testing	
Programmable AC/DC power supply	KIKUSUI	PCR500M	A7040079	Verified with calibrated multimeter before testing	
Attenuator 10dB	MINI CIRCUITS	BW-S10W2+	A7122229	2014/04	2016/04
Attenuator 10dB	MINI CIRCUITS	BW-S10W2+	A7122230	2014/04	2016/04
RF cable & Attenuator 20dB	Télédyne & MINI CIRCUITS	920-0202-024 & FW-20+	A5329661	2014/10	2016/10
RF cable & Attenuator 20dB	Télédyne & MINI CIRCUITS	920-0202-024 & FW-20+	A5329676	2014/10	2016/10
RF cable & Attenuator 20dB	Télédyne & MINI CIRCUITS	920-0202-024 & FW-20+	A5329674	2014/10	2016/10
RF cable & Attenuator 20dB	Télédyne & MINI CIRCUITS	920-0202-024 & FW-20+	A5329675	2014/10	2016/10
Attenuator 3dB	MINI CIRCUITS	BW-S3W2+	A7122238	2014/04	2016/04
Attenuator 3dB	MINI CIRCUITS	BW-S3W2+	A7122239	2014/04	2016/04
Attenuator 3dB	MINI CIRCUITS	BW-S3W2+	A7122240	2014/04	2016/04
Attenuator 3dB	MINI CIRCUITS	BW-S3W2+	A7122241	2014/04	2016/04
Attenuator 3dB	MINI CIRCUITS	BW-S3W2+	A7122242	2014/04	2016/04
Attenuator 3dB	MINI CIRCUITS	BW-S3W2+	A7122243	2014/04	2016/04
Power splitter	Mini-Circuits	ZN6PD-63W-S+	A7132040	2014/04	2016/04
Power splitter	Mini-Circuits	ZN6PD-63W-S+	A7132041	2014/04	2016/04
Load 50 ohms	Fairview Microwave	ST0635F	A7152075	2014/04	2016/04
Load 50 ohms	Fairview Microwave	ST0635F	A7152076	2014/04	2016/04
Load 50 ohms	Fairview Microwave	ST0635F	A7152077	2014/04	2016/04
Load 50 ohms	Fairview Microwave	ST0635F	A7152078	2014/04	2016/04

Note : In our Quality System, the calibration due of our equipment is more or less 2 months.

### 7.5. DIVERGENCE, ADDITION OR SUPPRESSION ON THE TEST SPECIFICATION

None       Divergence:



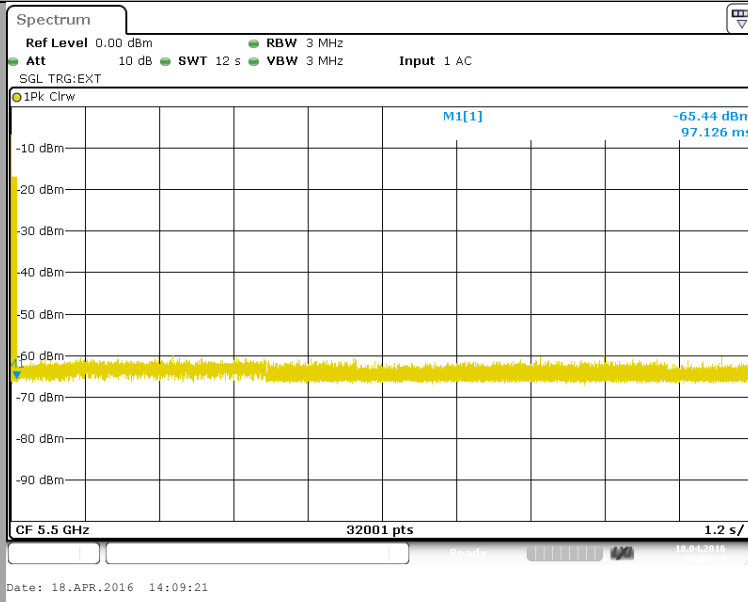
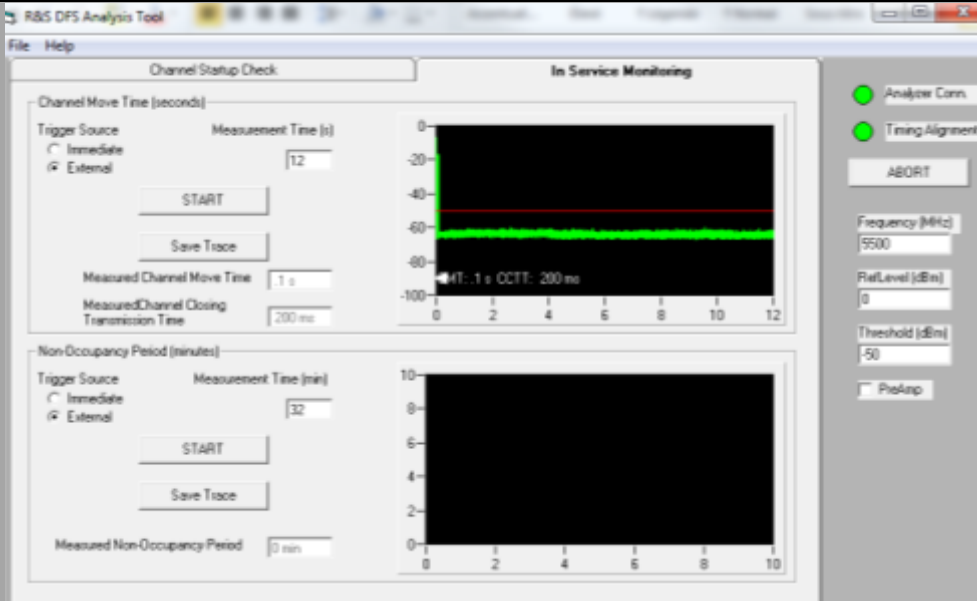
L C I E

7.6. RESULTS

Channel Closing Transmission Time & Channel Move Time

802.11a

C2



Channel Closing Transmission Time (s)

0.2

Channel Move Time (s)

1

7.7. CONCLUSION

Channel Closing Transmission Time & Channel Move Time measurement performed on the sample of the product **BELL CANADA FAST 5566**, SN: **DM1603203000012**, in configuration and description presented in this test report, show levels **compliant** to the 47 CFR PART 15.407 & RSS 247 ISSUE 1 limits.

## 8. DYNAMIC FREQUENCY SELECTION (DFS): NON-OCCUPANCY PERIOD

### 8.1. TEST CONDITIONS

Test performed by : Arnaud FAYETTE  
 Date of test : April 15, 2016  
 Ambient temperature : 23 °C  
 Relative humidity : 47 %

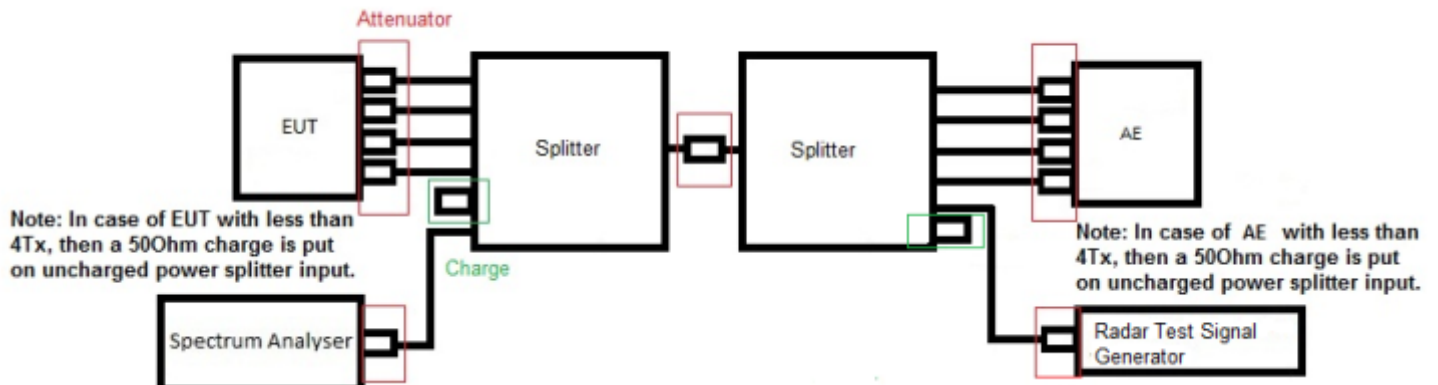
### 8.2. TEST SETUP

- The Equipment Under Test is:

- On a table
- In an anechoic chamber

- Measurement is performed with a spectrum analyzer:

- On the EUT conducted access
- On the EUT with a test fixture







Photograph for DFS Non-Occupancy Period

### 8.3. LIMIT

Non-Occupancy Period shall exceed 1800 seconds



#### 8.4. TEST EQUIPMENT LIST

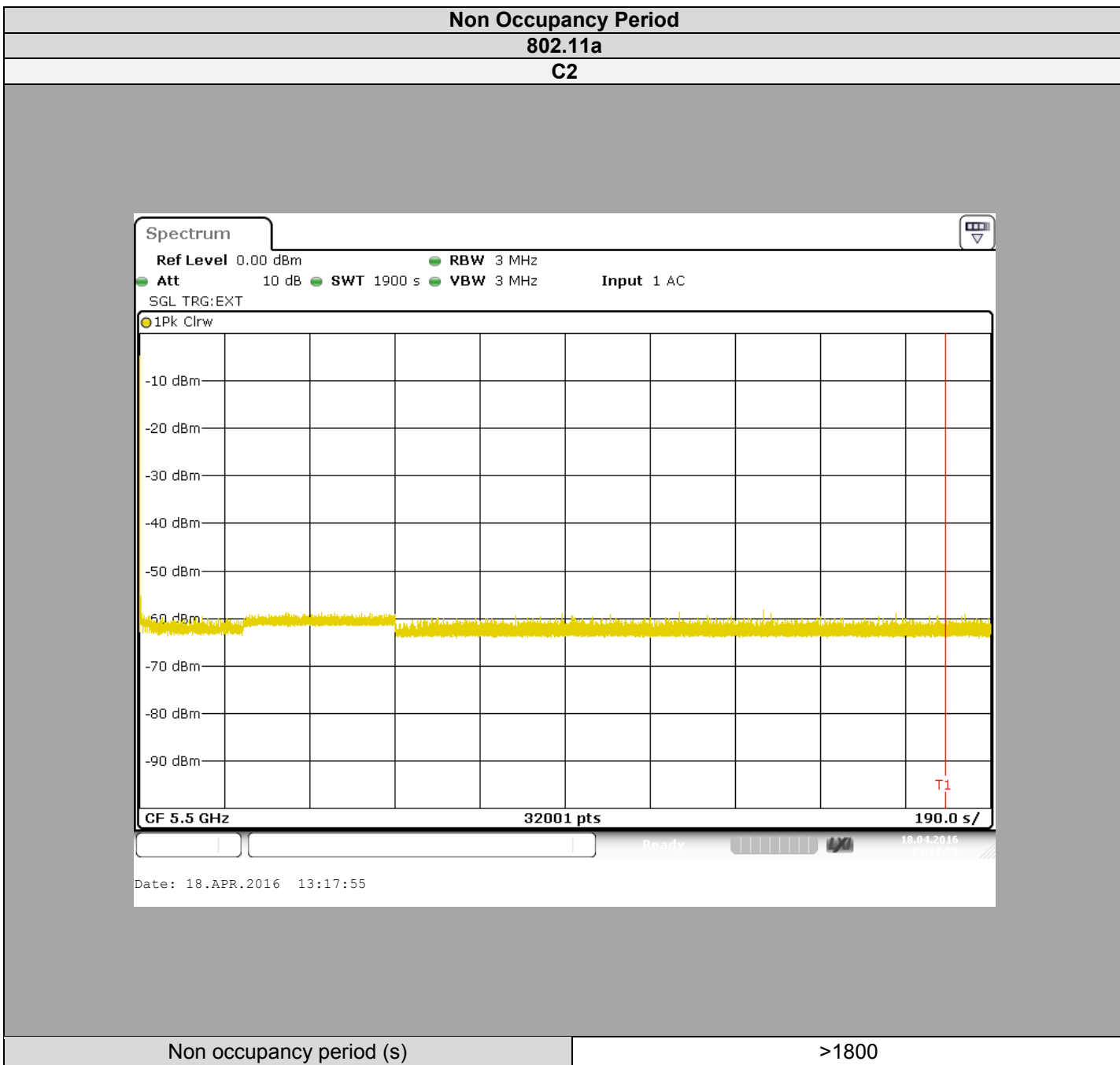
DESCRIPTION	MANUFACTURER	MODEL	N° LCIE	Cal_Date	Cal_Due
Multi-meter	ISOTECH	IDM 91E	A1240253	2015/08	2016/08
Spectrum analyzer	ROHDE & SCHWARZ	ESR	A2642023	2015/03	2016/03
RF cable	Télédyne	920-0202-024	A5329663	2014/04	2016/04
RF cable	Télédyne	920-0202-024	A5329664	2014/04	2016/04
RF cable	Télédyne	920-0202-024	A5329665	2014/04	2016/04
RF cable	Télédyne	920-0202-024	A5329668	2014/04	2016/04
RF cable	Télédyne	920-0202-024	A5329669	2014/04	2016/04
RF cable	Télédyne	920-0202-024	A5329670	2014/04	2016/04
RF cable	Télédyne	920-0202-024	A5329670	2014/04	2016/04
RF cable	Télédyne	920-0202-024	A5329672	2014/04	2016/04
RF cable	Télédyne	920-0202-024	A5329673	2014/04	2016/04
Vector signal generator	ROHDE & SCHWARZ	SMJ100A	A5444007	Verified with calibrated EMI receiver/ Spectrum analyzer before testing	
Programmable AC/DC power supply	KIKUSUI	PCR500M	A7040079	Verified with calibrated multimeter before testing	
Attenuator 10dB	MINI CIRCUITS	BW-S10W2+	A7122229	2014/04	2016/04
Attenuator 10dB	MINI CIRCUITS	BW-S10W2+	A7122230	2014/04	2016/04
RF cable & Attenuator 20dB	Télédyne & MINI CIRCUITS	920-0202-024 & FW-20+	A5329661	2014/10	2016/10
RF cable & Attenuator 20dB	Télédyne & MINI CIRCUITS	920-0202-024 & FW-20+	A5329676	2014/10	2016/10
RF cable & Attenuator 20dB	Télédyne & MINI CIRCUITS	920-0202-024 & FW-20+	A5329674	2014/10	2016/10
RF cable & Attenuator 20dB	Télédyne & MINI CIRCUITS	920-0202-024 & FW-20+	A5329675	2014/10	2016/10
Attenuator 3dB	MINI CIRCUITS	BW-S3W2+	A7122238	2014/04	2016/04
Attenuator 3dB	MINI CIRCUITS	BW-S3W2+	A7122239	2014/04	2016/04
Attenuator 3dB	MINI CIRCUITS	BW-S3W2+	A7122240	2014/04	2016/04
Attenuator 3dB	MINI CIRCUITS	BW-S3W2+	A7122241	2014/04	2016/04
Attenuator 3dB	MINI CIRCUITS	BW-S3W2+	A7122242	2014/04	2016/04
Attenuator 3dB	MINI CIRCUITS	BW-S3W2+	A7122243	2014/04	2016/04
Power splitter	Mini-Circuits	ZN6PD-63W-S+	A7132040	2014/04	2016/04
Power splitter	Mini-Circuits	ZN6PD-63W-S+	A7132041	2014/04	2016/04
Load 50 ohms	Fairview Microwave	ST0635F	A7152075	2014/04	2016/04
Load 50 ohms	Fairview Microwave	ST0635F	A7152076	2014/04	2016/04
Load 50 ohms	Fairview Microwave	ST0635F	A7152077	2014/04	2016/04
Load 50 ohms	Fairview Microwave	ST0635F	A7152078	2014/04	2016/04

Note : In our Quality System, the calibration due of our equipment is more or less 2 months.

#### 8.5. DIVERGENCE, ADDITION OR SUPPRESSION ON THE TEST SPECIFICATION

None       Divergence:

## 8.6. RESULTS



## 8.7. CONCLUSION

Non-Occupancy period measurement performed on the sample of the product **BELL CANADA FAST 5566**, SN: **DM1603203000012**, in configuration and description presented in this test report, show levels **compliant** to the 47 CFR PART 15.407 & RSS 247 ISSUE 1 limits.



L C I E

**9. RADAR TEST SIGNAL TYPE FOR STATISTICAL PERFORMANCE CHECK**

RADAR TYPE 1				802.11a	802.11n HT20	802.11n HT40	802.11ac VHT80
Trial #	Number of Pulses per Burst	Pulse Width (µsec)	PRI (µs)	Detection (1=yes/0=no)	Detection (1=yes/0=no)	Detection (1=yes/0=no)	Detection (1=yes/0=no)
1	102	1	518	1	1	1	1
2	99	1	538	1	1	1	1
3	95	1	558	1	1	1	1
4	92	1	577	1	1	1	1
5	89	1	598	1	1	1	1
6	86	1	618	1	1	1	1
7	83	1	638	1	1	1	1
8	81	1	658	1	1	1	1
9	78	1	678	1	1	1	1
10	74	1	718	1	1	1	1
11	72	1	738	1	1	1	1
12	70	1	758	1	1	1	1
13	68	1	778	1	1	1	1
14	67	1	797	1	1	1	1
15	65	1	818	1	1	1	1
16	88	1	600	1	1	1	1
17	76	1	700	1	1	1	1
18	66	1	800	1	1	1	1
19	53	1	1000	1	1	1	1
20	44	1	1200	1	1	1	1
21	38	1	1400	1	1	1	1
22	33	1	1600	1	1	1	1
23	30	1	1800	1	1	1	1
24	27	1	2000	1	1	1	1
25	24	1	2200	1	1	1	1
26	22	1	2400	1	1	1	1
27	21	1	2600	1	1	1	1
28	19	1	2800	1	1	1	1
29	19	1	2900	1	1	1	1
30	18	1	3000	1	1	1	1
Statistical Performance Check (%)				100,0	100,0	100,0	100,0



L C I E

RADAR TYPE 2				802.11a	802.11n HT20	802.11n HT40	802.11ac VHT80
Trial #	Number of Pulses per Burst	Pulse Width (µsec)	PRI (µs)	Detection (1=yes/0=no)	Detection (1=yes/0=no)	Detection (1=yes/0=no)	Detection (1=yes/0=no)
1	27	3	206	1	1	1	1
2	25	1,9	154	1	1	0	1
3	25	1,6	171	0	1	1	1
4	27	4,6	222	1	1	1	1
5	26	3,4	150	1	1	1	1
6	23	4,1	165	1	1	1	1
7	23	3,7	194	1	1	1	1
8	26	4,1	219	1	0	1	1
9	29	3,9	212	1	1	1	1
10	24	1,6	207	1	0	1	1
11	25	2,1	194	1	1	1	1
12	28	2,3	185	1	1	1	1
13	25	1,8	221	1	1	1	1
14	28	1,5	228	1	1	1	1
15	28	1,9	183	1	1	1	1
16	28	2,2	163	1	1	1	1
17	24	4,7	178	1	1	1	1
18	27	3,3	165	1	1	1	1
19	26	3,3	153	1	1	1	1
20	26	5	169	1	1	1	1
21	24	1,1	209	1	1	1	1
22	28	3,1	154	1	1	1	1
23	27	2,7	222	1	1	1	1
24	23	2,2	211	1	1	1	1
25	28	2,6	172	1	1	0	1
26	24	1,9	152	1	1	1	1
27	28	4,2	157	1	1	1	1
28	27	1,5	227	1	1	0	1
29	27	3,3	164	1	1	1	1
30	26	1,6	170	1	1	0	1
Statistical Performance Check (%)				96,7	93,3	86,7	100,0



L C I E

RADAR TYPE 2				802.11a	802.11n HT20	802.11n HT40	802.11ac VHT80
Trial #	Number of Pulses per Burst	Pulse Width (µsec)	PRI (µs)	Detection (1=yes/0=no)	Detection (1=yes/0=no)	Detection (1=yes/0=no)	Detection (1=yes/0=no)
1	27	3	206	1	1	1	1
2	25	1,9	154	1	1	0	1
3	25	1,6	171	0	1	1	1
4	27	4,6	222	1	1	1	1
5	26	3,4	150	1	1	1	1
6	23	4,1	165	1	1	1	1
7	23	3,7	194	1	1	1	1
8	26	4,1	219	1	0	1	1
9	29	3,9	212	1	1	1	1
10	24	1,6	207	1	0	1	1
11	25	2,1	194	1	1	1	1
12	28	2,3	185	1	1	1	1
13	25	1,8	221	1	1	1	1
14	28	1,5	228	1	1	1	1
15	28	1,9	183	1	1	1	1
16	28	2,2	163	1	1	1	1
17	24	4,7	178	1	1	1	1
18	27	3,3	165	1	1	1	1
19	26	3,3	153	1	1	1	1
20	26	5	169	1	1	1	1
21	24	1,1	209	1	1	1	1
22	28	3,1	154	1	1	1	1
23	27	2,7	222	1	1	1	1
24	23	2,2	211	1	1	1	1
25	28	2,6	172	1	1	0	1
26	24	1,9	152	1	1	1	1
27	28	4,2	157	1	1	1	1
28	27	1,5	227	1	1	0	1
29	27	3,3	164	1	1	1	1
30	26	1,6	170	1	1	0	1
Statistical Performance Check (%)				96,7	93,3	86,7	100,0



L C I E

RADAR TYPE 4				802.11a	802.11n HT20	802.11n HT40	802.11ac VHT80
Trial #	Number of Pulses per Burst	Pulse Width (µsec)	PRI (µs)	Detection (1=yes/0=no)	Detection (1=yes/0=no)	Detection (1=yes/0=no)	Detection (1=yes/0=no)
1	16	17,4	252	0	1	1	1
2	12	14,1	229	1	1	1	1
3	15	16,5	229	1	1	1	1
4	15	17,4	270	1	1	1	1
5	15	16,9	360	1	1	1	1
6	12	17,1	362	0	1	1	0
7	14	12,1	296	1	1	1	1
8	12	12	482	1	0	1	1
9	14	17,9	220	1	1	1	1
10	15	13,1	391	1	1	1	1
11	12	13,7	396	0	1	1	1
12	13	13	355	1	1	1	1
13	15	16,9	405	1	0	1	1
14	12	16,1	241	1	0	1	1
15	13	19,8	388	1	1	1	1
16	14	17	386	1	1	1	1
17	12	12,7	497	1	1	1	1
18	15	14,2	432	1	1	1	1
19	14	11,4	320	1	1	0	1
20	12	16,9	478	1	1	1	1
21	15	13,6	314	1	1	1	1
22	12	20	467	1	1	1	1
23	16	13,8	398	1	0	1	1
24	16	19,8	459	1	1	1	1
25	15	17,4	399	1	0	1	1
26	15	16,9	226	1	1	0	1
27	13	16,9	345	1	0	1	1
28	12	13,7	404	1	1	1	1
29	15	15	295	1	1	1	1
30	15	14,5	313	1	1	1	0
Statistical Performance Check (%)				90,0	80,0	93,3	93,3



L C I E

RADAR TYPE 5		802.11a	802.11n HT20	802.11n HT40	802.11ac VHT80
Trial #	See Annex	Detection (1=yes/0=no)	Detection (1=yes/0=no)	Detection (1=yes/0=no)	Detection (1=yes/0=no)
1	FCC0696-T5-08-TRIAL-1	1	1	1	1
2	FCC0696-T5-09-TRIAL-2	1	1	1	1
3	FCC0696-T5-10-TRIAL-3	1	1	1	1
4	FCC0696-T5-11-TRIAL-4	1	1	1	1
5	FCC0696-T5-12-TRIAL-5	1	1	1	1
6	FCC0696-T5-13-TRIAL-6	1	1	1	1
7	FCC0696-T5-14-TRIAL-7	1	1	1	1
8	FCC0696-T5-15-TRIAL-8	1	1	1	1
9	FCC0696-T5-16-TRIAL-9	1	1	1	1
10	FCC0696-T5-17-TRIAL-10	1	1	1	1
11	FCC0696-T5-18-TRIAL-11	1	1	1	1
12	FCC0696-T5-19-TRIAL-12	1	1	1	1
13	FCC0696-T5-20-TRIAL-13	1	1	1	1
14	FCC0696-T5-08-TRIAL-14	1	1	1	1
15	FCC0696-T5-09-TRIAL-15	1	1	1	1
16	FCC0696-T5-10-TRIAL-16	0	1	1	1
17	FCC0696-T5-11-TRIAL-17	1	1	1	1
18	FCC0696-T5-12-TRIAL-18	1	1	1	1
19	FCC0696-T5-08-TRIAL-19	1	1	0	1
20	FCC0696-T5-09-TRIAL-20	1	1	1	1
21	FCC0696-T5-10-TRIAL-21	1	1	1	1
22	FCC0696-T5-11-TRIAL-22	1	1	1	1
23	FCC0696-T5-12-TRIAL-23	1	1	1	1
24	FCC0696-T5-13-TRIAL-24	1	1	1	1
25	FCC0696-T5-14-TRIAL-25	1	1	1	1
26	FCC0696-T5-15-TRIAL-26	1	0	1	1
27	FCC0696-T5-16-TRIAL-27	0	1	1	1
28	FCC0696-T5-17-TRIAL-28	1	1	1	1
29	FCC0696-T5-18-TRIAL-29	1	1	1	1
30	FCC0696-T5-19-TRIAL-30	1	0	1	1
Statistical Performance Check (%)		93,3	93,3	96,7	100,0





L C I E

RADAR TYPE 6		802.11a	802.11n HT20	802.11n HT40	802.11ac VHT80
Trial #	<a href="http://ntiacsd.ntia.doc.gov/dfs/HopFreqInPlanBW.txt">http://ntiacsd.ntia.doc.gov/dfs/HopFreqInPlanBW.txt</a>	Detection (1=yes/0=no)	Detection (1=yes/0=no)	Detection (1=yes/0=no)	Detection (1=yes/0=no)
1	Burst 0	1	1	1	1
2	Burst 1	1	1	1	1
3	Burst 2	1	1	1	1
4	Burst 3	1	1	1	1
5	Burst 4	1	1	1	1
6	Burst 5	1	1	1	1
7	Burst 6	1	1	1	1
8	Burst 7	1	1	1	1
9	Burst 8	1	1	1	1
10	Burst 9	1	1	1	1
11	Burst 10	1	1	1	1
12	Burst 11	1	1	1	1
13	Burst 12	1	1	1	1
14	Burst 13	1	1	1	1
15	Burst 14	1	1	1	1
16	Burst 15	1	1	1	1
17	Burst 16	1	1	1	1
18	Burst 17	1	1	1	1
19	Burst 18	1	1	1	1
20	Burst 19	1	1	1	1
21	Burst 20	1	1	1	1
22	Burst 21	1	1	1	1
23	Burst 22	1	1	1	1
24	Burst 23	1	1	1	1
25	Burst 24	1	1	1	1
26	Burst 25	1	1	1	1
27	Burst 26	1	1	1	1
28	Burst 27	1	1	1	1
29	Burst 28	1	1	1	1
30	Burst 29	1	1	1	1
Statistical Performance Check (%)		100,0	100,0	100,0	100,0



**10. U-NII DETECTION BANDWIDTH DATA RESULTS**

802.11a	Channel	7	5500	MHz							
	U-NII Detection Bandwidth										
	Trial: Detection=1 & No Detection=0										
Radar Frequency (MHz)	Trial 1	Trial 2	Trial 3	Trial 4	Trial 5	Trial 6	Trial 7	Trial 8	Trial 9	Trial 10	Detection (%)
5490	1	1	1	1	1	1	1	1	1	1	100
5495	1	1	1	1	1	1	1	1	1	1	100
5500	0	1	1	1	1	1	1	1	1	1	90
5505	0	1	1	1	1	1	1	1	1	1	90
5510	0	1	1	1	1	1	1	1	1	1	90

802.11n HT20	Channel	C7	5500	MHz							
	U-NII Detection Bandwidth										
	Trial: Detection=1 & No Detection=0										
Radar Frequency (MHz)	Trial 1	Trial 2	Trial 3	Trial 4	Trial 5	Trial 6	Trial 7	Trial 8	Trial 9	Trial 10	Detection (%)
5490	1	1	1	1	1	1	1	1	1	1	100
5495	1	1	1	1	1	1	1	1	1	1	100
5500	1	1	1	1	1	1	1	1	1	1	100
5505	1	1	1	1	1	1	1	1	1	1	100
5510	1	1	1	1	1	1	1	1	1	1	100

802.11n HT40	Channel	13	5510	MHz							
	U-NII Detection Bandwidth										
	Trial: Detection=1 & No Detection=0										
Radar Frequency (MHz)	Trial 1	Trial 2	Trial 3	Trial 4	Trial 5	Trial 6	Trial 7	Trial 8	Trial 9	Trial 10	Detection (%)
5490	1	1	1	1	1	1	1	1	1	1	100
5495	1	1	1	1	1	1	1	1	1	1	100
5500	1	1	1	1	1	1	1	1	1	1	100
5505	1	1	1	1	1	1	1	1	1	1	100
5510	1	1	1	1	1	1	1	1	1	1	100
5515	1	1	1	1	1	1	1	1	1	1	100
5520	1	1	1	1	1	1	1	1	1	1	100
5525	1	1	1	1	1	1	1	1	1	1	100
5530	1	1	1	1	1	1	1	1	1	1	100



L C I E

802.11ac HT80	Channel		19	5530	MHz						
	U-NII Detection Bandwidth										
	Trial: Detection=1 & No Detection=0										
Radar Frequency (MHz)	Trial 1	Trial 2	Trial 3	Trial 4	Trial 5	Trial 6	Trial 7	Trial 8	Trial 9	Trial 10	Detection (%)
5490	1	1	1	1	1	1	1	1	1	1	100
5495	1	1	1	1	1	1	1	1	1	1	100
5500	1	1	1	1	1	1	1	1	1	1	100
5505	1	1	1	1	1	1	1	1	1	1	100
5510	1	1	1	1	1	1	1	1	1	1	100
5515	1	1	1	1	1	1	1	1	1	1	100
5520	1	1	1	1	1	1	1	1	1	1	100
5525	1	1	1	1	1	1	1	1	1	1	100
5530	1	1	1	1	1	1	1	1	1	1	100
5535	1	1	1	1	1	1	1	1	1	1	100
5540	1	1	1	1	1	1	1	1	1	1	100
5545	1	1	1	1	1	1	1	1	1	1	100
5550	1	1	1	1	1	1	1	1	1	1	100
5555	1	1	1	1	1	1	1	1	1	1	100
5560	1	1	1	1	1	1	1	1	1	1	100
5565	1	1	1	1	1	1	1	1	1	1	100
5570	1	1	1	1	1	1	1	1	1	1	100



L C I E

**11. RADAR TEST SIGNAL TYPE 5 & 0**

**TYPE 5 PARAMETER SHEET**

Rohde & Schwarz  
K6 Pulse Sequencer

**Trial Number : 1**

**Bursts in Trial: 8**

Burst	Number of Pulses	Pulse Width (µsec)	Chirp Width (MHz)	Pulse 1-to-2 Spacing (µsec)	Pulse 2-to-3 Spacing (µsec)	Start Location Within Interval (msec)
1	1	83	8			1028
2	2	89,2	20	928		137
3	2	51,3	13	1091		1139
4	3	74,1	20	1114	1237	1423
5	2	81,3	15	1828		714
6	2	64,5	7	1706		1035
7	3	87	18	1045	954	1492
8	2	79,6	19	1047		577
9						
10						
11						
12						
13						
14						
15						
16						
17						
18						
19						
20						



L C I E

# TYPE 5 PARAMETER SHEET

Rohde & Schwarz  
K6 Pulse Sequencer

Trial Number : 2

Bursts in Trial: 9

Burst	Number of Pulses	Pulse Width (µsec)	Chirp Width (MHz)	Pulse 1-to-2 Spacing (µsec)	Pulse 2-to-3 Spacing (µsec)	Start Location Within Interval (msec)
1	1	84,8	7			1057
2	2	69,4	8	1611		744
3	2	52,8	7	1026		294
4	2	58,4	11	1001		596
5	3	87,9	17	1130	923	432
6	1	79,1	7			812
7	1	68	20			702
8	3	66,3	15	1213	1920	301
9	2	86	8	1066		430
10						
11						
12						
13						
14						
15						
16						
17						
18						
19						
20						



L C I E

## TYPE 5 PARAMETER SHEET

Rohde & Schwarz  
K6 Pulse Sequencer

Trial Number : 3

Bursts in Trial: 10

Burst	Number of Pulses	Pulse Width (µsec)	Chirp Width (MHz)	Pulse 1-to-2 Spacing (µsec)	Pulse 2-to-3 Spacing (µsec)	Start Location Within Interval (msec)
1	3	98,2	9	1535	1372	264
2	3	73,6	18	985	1379	670
3	2	96	9	931		1069
4	2	95,1	7	1755		457
5	2	75,7	9	1863		543
6	2	71,7	15	1452		84
7	2	74,5	17	1126		525
8	3	80,6	14	1615	1146	967
9	2	56,5	19	1319		291
10	3	55,2	15	993	1070	1016
11						
12						
13						
14						
15						
16						
17						
18						
19						
20						



L C I E

## TYPE 5 PARAMETER SHEET

Rohde & Schwarz  
K6 Pulse Sequencer

Trial Number : 4

Bursts in Trial: 11

Burst	Number of Pulses	Pulse Width (µsec)	Chirp Width (MHz)	Pulse 1-to-2 Spacing (µsec)	Pulse 2-to-3 Spacing (µsec)	Start Location Within Interval (msec)
1	1	91,3	7			70
2	2	96,1	20	1397		244
3	2	92,9	8	1222		569
4	1	93,7	9			1024
5	3	73,3	15	1243	1066	815
6	3	88,1	13	1133	1652	549
7	2	93,7	14	920		1027
8	1	99,1	6			834
9	3	88,6	17	1511	1909	600
10	2	92,5	10	1050		314
11	2	53,7	17	1624		7
12						
13						
14						
15						
16						
17						
18						
19						
20						



L C I E

# TYPE 5 PARAMETER SHEET

Rohde & Schwarz  
K6 Pulse Sequencer

Trial Number : 5

Bursts in Trial: 12

Burst	Number of Pulses	Pulse Width (µsec)	Chirp Width (MHz)	Pulse 1-to-2 Spacing (µsec)	Pulse 2-to-3 Spacing (µsec)	Start Location Within Interval (msec)
1	1	51,8	20			641
2	2	80,1	8	1641		875
3	2	88,2	8	1852		33
4	2	71,8	10	1048		476
5	2	91,8	6	1778		910
6	2	56,8	19	1212		570
7	1	69,6	13			637
8	2	94,6	13	1595		347
9	3	52,7	18	1682	1384	483
10	2	65,5	5	1082		39
11	3	68,6	17	1467	1397	337
12	1	94,1	14			378
13						
14						
15						
16						
17						
18						
19						
20						





L C I E

# TYPE 5 PARAMETER SHEET

Rohde & Schwarz  
K6 Pulse Sequencer

Trial Number : 6

Bursts in Trial: 13

Burst	Number of Pulses	Pulse Width (µsec)	Chirp Width (MHz)	Pulse 1-to-2 Spacing (µsec)	Pulse 2-to-3 Spacing (µsec)	Start Location Within Interval (msec)
1	2	80,3	8	1655		381
2	2	54,5	5	1022		363
3	3	68,3	12	967	1634	209
4	3	64	18	1382	1616	337
5	3	73,2	20	1339	1044	432
6	2	77,8	20	1441		910
7	1	57,2	13			137
8	3	77,3	15	1284	1888	320
9	2	72,4	10	1040		349
10	2	83,9	5	1843		849
11	2	95	13	1021		352
12	1	63,3	10			583
13	2	60,3	11	1658		285
14						
15						
16						
17						
18						
19						
20						



L C I E

# TYPE 5 PARAMETER SHEET

Rohde & Schwarz  
K6 Pulse Sequencer

Trial Number : 7

Bursts in Trial: 14

Burst	Number of Pulses	Pulse Width (µsec)	Chirp Width (MHz)	Pulse 1-to-2 Spacing (µsec)	Pulse 2-to-3 Spacing (µsec)	Start Location Within Interval (msec)
1	1	60,8	19			487
2	2	91	14	1147		817
3	1	57,8	9			597
4	1	77,6	8			20
5	2	66,3	13	1151		92
6	1	97,5	7			569
7	1	90,1	10			716
8	1	53	6			403
9	3	50,5	17	1524	1311	397
10	1	55,8	10			121
11	2	73,7	12	1777		285
12	3	55,3	12	968	1848	240
13	2	79,8	7	1709		178
14	3	84,3	6	1627	1577	180
15						
16						
17						
18						
19						
20						



L C I E

# TYPE 5 PARAMETER SHEET

Rohde & Schwarz  
K6 Pulse Sequencer

Trial Number : 8

Bursts in Trial: 15

Burst	Number of Pulses	Pulse Width (µsec)	Chirp Width (MHz)	Pulse 1-to-2 Spacing (µsec)	Pulse 2-to-3 Spacing (µsec)	Start Location Within Interval (msec)
1	2	65,3	10	1635		169
2	2	90,7	9	1682		356
3	1	87,7	18			265
4	1	82,7	6			216
5	1	85,2	20			370
6	2	67,9	6	1090		639
7	3	61,6	11	1413	990	778
8	2	73,1	7	1591		519
9	3	51,6	15	1882	1340	551
10	1	83,4	12			743
11	2	93,1	5	1741		660
12	2	88,6	7	1004		746
13	3	91,9	19	1291	1892	313
14	2	90,7	20	1628		362
15	1	52,4	17			37
16						
17						
18						
19						
20						



L C I E

## TYPE 5 PARAMETER SHEET

Rohde & Schwarz  
K6 Pulse Sequencer

Trial Number : 9

Bursts in Trial: 16

Burst	Number of Pulses	Pulse Width (µsec)	Chirp Width (MHz)	Pulse 1-to-2 Spacing (µsec)	Pulse 2-to-3 Spacing (µsec)	Start Location Within Interval (msec)
1	2	84,1	7	1896		659
2	2	69,1	7	1696		266
3	1	71,7	7			703
4	1	83	20			631
5	2	96,8	11	1232		567
6	2	61,1	11	1241		647
7	1	70,1	5			418
8	2	62,5	19	1144		149
9	2	78,3	13	1703		296
10	2	97,4	15	1728		700
11	3	88,9	17	1759	1060	246
12	3	91	13	1606	1572	468
13	3	76,5	11	1082	1896	231
14	1	64,5	12			182
15	2	60,2	18	1314		311
16	3	90,4	14	1415	1474	705
17						
18						
19						
20						



L C I E

## TYPE 5 PARAMETER SHEET

Rohde & Schwarz  
K6 Pulse Sequencer

Trial Number : 10

Bursts in Trial: 17

Burst	Number of Pulses	Pulse Width (µsec)	Chirp Width (MHz)	Pulse 1-to-2 Spacing (µsec)	Pulse 2-to-3 Spacing (µsec)	Start Location Within Interval (msec)
1	2	66,2	20	1769		164
2	1	83	8			264
3	2	99,6	18	1270		570
4	3	98,4	14	1283	1283	221
5	3	55,6	13	1939	1733	185
6	2	97,5	20	1492		485
7	1	55,5	17			652
8	3	77,4	5	1637	1876	182
9	1	77,6	15			610
10	2	71,9	15	1457		246
11	3	80	15	1005	1786	413
12	1	65,2	11			118
13	2	92	8	1265		519
14	3	68,6	18	1138	1708	457
15	1	94,3	8			451
16	2	70,7	18	1093		207
17	2	63,4	8	1080		132
18						
19						
20						



L C I E

## TYPE 5 PARAMETER SHEET

Rohde & Schwarz  
K6 Pulse Sequencer

Trial Number : 11

Bursts in Trial: 18

Burst	Number of Pulses	Pulse Width (µsec)	Chirp Width (MHz)	Pulse 1-to-2 Spacing (µsec)	Pulse 2-to-3 Spacing (µsec)	Start Location Within Interval (msec)
1	2	79,7	5	1563		647
2	2	59,3	19	1693		423
3	2	52,1	13	1625		110
4	1	93,8	19			194
5	2	93	6	1550		97
6	2	87,6	14	1233		448
7	3	62	7	1063	1503	144
8	3	95,4	19	1430	1577	282
9	1	82,8	7			514
10	3	51,2	15	1404	1885	187
11	2	81	8	1554		392
12	3	81,6	5	1254	1055	387
13	2	62,1	14	1006		291
14	2	82	13	1003		435
15	2	60,9	18	1027		508
16	1	58,2	10			230
17	2	80,6	6	1027		468
18	2	65,7	15	1878		279
19						
20						



L C I E

## TYPE 5 PARAMETER SHEET

Rohde & Schwarz  
K6 Pulse Sequencer

Trial Number : 12

Bursts in Trial: 19

Burst	Number of Pulses	Pulse Width (µsec)	Chirp Width (MHz)	Pulse 1-to-2 Spacing (µsec)	Pulse 2-to-3 Spacing (µsec)	Start Location Within Interval (msec)
1	2	78,6	10	1208		558
2	3	93,2	11	1743	1155	475
3	2	86	13	1719		70
4	1	76,4	13			529
5	1	84,4	10			144
6	1	68,4	5			422
7	2	65,1	11	1250		524
8	2	58,6	13	1372		384
9	3	68,6	15	1499	1321	476
10	3	91,8	13	1201	1475	19
11	3	88,4	7	1274	1510	451
12	2	91,2	20	1331		469
13	3	87,7	11	1356	1716	214
14	3	61,1	13	1718	957	29
15	3	77,1	11	1257	1093	477
16	2	81,7	7	1792		256
17	3	53,6	13	1304	1449	246
18	1	68,2	19			237
19	1	93,8	20			57
20						



L C I E

## TYPE 5 PARAMETER SHEET

Rohde & Schwarz  
K6 Pulse Sequencer

Trial Number : 13

Bursts in Trial: 20

Burst	Number of Pulses	Pulse Width (µsec)	Chirp Width (MHz)	Pulse 1-to-2 Spacing (µsec)	Pulse 2-to-3 Spacing (µsec)	Start Location Within Interval (msec)
1	2	67,2	11	1581		422
2	2	64,9	13	1929		404
3	2	88,1	10	1131		298
4	2	75,5	18	1884		18
5	3	69,9	9	1348	1175	523
6	2	80,4	9	1074		12
7	2	55	9	1831		4
8	2	70,1	11	988		320
9	3	98,8	17	1502	1211	35
10	3	58,8	12	1019	1687	83
11	2	67,9	8	1268		285
12	1	85,6	7			410
13	2	93,5	19	1574		134
14	3	58,4	10	968	1893	168
15	1	73,8	17			266
16	3	95	19	922	1739	183
17	3	63,6	5	1267	1251	146
18	2	74,8	10	1175		336
19	2	62,9	5	1110		131
20	1	72,8	15			496





L C I E

# TYPE 5 PARAMETER SHEET

Rohde & Schwarz  
K6 Pulse Sequencer

Trial Number : 14

Bursts in Trial: 8

Burst	Number of Pulses	Pulse Width (µsec)	Chirp Width (MHz)	Pulse 1-to-2 Spacing (µsec)	Pulse 2-to-3 Spacing (µsec)	Start Location Within Interval (msec)
1	3	64,2	19	1609	1360	1089
2	2	88,4	17	1751		1357
3	1	51,1	14			1003
4	3	63,6	15	963	962	1376
5	1	84,3	11			937
6	3	90,7	5	1098	986	1068
7	2	93	20	1130		1124
8	2	67,4	12	1308		574
9						
10						
11						
12						
13						
14						
15						
16						
17						
18						
19						
20						



L C I E

# TYPE 5 PARAMETER SHEET

Rohde & Schwarz  
K6 Pulse Sequencer

Trial Number : 15

Bursts in Trial: 9

Burst	Number of Pulses	Pulse Width (µsec)	Chirp Width (MHz)	Pulse 1-to-2 Spacing (µsec)	Pulse 2-to-3 Spacing (µsec)	Start Location Within Interval (msec)
1	1	62,3	5			128
2	3	76,5	8	1019	1323	486
3	2	82,5	5	1183		911
4	2	54	10	1805		972
5	3	94,7	18	1565	1079	46
6	3	53,9	19	1625	1139	570
7	3	55,6	13	1623	1927	1143
8	2	68,3	13	1890		1163
9	3	99,8	8	1857	1735	249
10						
11						
12						
13						
14						
15						
16						
17						
18						
19						
20						



L C I E

## TYPE 5 PARAMETER SHEET

Rohde & Schwarz  
K6 Pulse Sequencer

Trial Number : 16

Bursts in Trial: 10

Burst	Number of Pulses	Pulse Width (µsec)	Chirp Width (MHz)	Pulse 1-to-2 Spacing (µsec)	Pulse 2-to-3 Spacing (µsec)	Start Location Within Interval (msec)
1	2	54,1	5	1152		389
2	2	78,9	13	1150		881
3	1	77,6	13			980
4	1	85,8	14			40
5	3	74,8	15	1596	976	418
6	1	99,2	5			129
7	3	71,5	6	1454	1858	947
8	1	67,5	5			413
9	2	68,7	9	1840		1060
10	3	81,2	13	1604	1132	803
11						
12						
13						
14						
15						
16						
17						
18						
19						
20						



L C I E

## TYPE 5 PARAMETER SHEET

Rohde & Schwarz  
K6 Pulse Sequencer

Trial Number : 17

Bursts in Trial: 11

Burst	Number of Pulses	Pulse Width (µsec)	Chirp Width (MHz)	Pulse 1-to-2 Spacing (µsec)	Pulse 2-to-3 Spacing (µsec)	Start Location Within Interval (msec)
1	1	78,5	8			441
2	1	60,8	9			62
3	1	96,8	11			942
4	2	65,9	17	1306		1079
5	3	95,3	6	1571	1562	269
6	2	67	17	962		44
7	2	92,9	19	1635		503
8	3	74,3	14	1463	1896	264
9	3	77,7	10	1875	1453	115
10	2	75,1	6	1036		465
11	1	94,8	19			676
12						
13						
14						
15						
16						
17						
18						
19						
20						



L C I E

# TYPE 5 PARAMETER SHEET

Rohde & Schwarz  
K6 Pulse Sequencer

Trial Number : 18

Bursts in Trial: 12

Burst	Number of Pulses	Pulse Width (µsec)	Chirp Width (MHz)	Pulse 1-to-2 Spacing (µsec)	Pulse 2-to-3 Spacing (µsec)	Start Location Within Interval (msec)
1	2	53,1	8	1042		583
2	2	59,6	13	989		824
3	3	72,4	5	1686	1217	658
4	2	66,6	17	1726		663
5	3	57,3	6	1791	1191	602
6	1	51,9	18			955
7	1	56,1	13			900
8	2	96,1	6	1368		599
9	1	93,4	18			634
10	1	97,3	11			534
11	3	50,5	7	1103	1061	599
12	2	67,1	18	1036		489
13						
14						
15						
16						
17						
18						
19						
20						



L C I E

# TYPE 5 PARAMETER SHEET

Rohde & Schwarz  
K6 Pulse Sequencer

Trial Number : 19

Bursts in Trial: 8

Burst	Number of Pulses	Pulse Width (µsec)	Chirp Width (MHz)	Pulse 1-to-2 Spacing (µsec)	Pulse 2-to-3 Spacing (µsec)	Start Location Within Interval (msec)
1	2	61,4	18	1761		1229
2	3	69,1	7	1759	1639	1136
3	3	56,5	8	961	1228	508
4	1	87,2	19			993
5	2	96	7	1852		1374
6	3	51,8	15	1295	1517	522
7	3	71,8	17	1651	1422	1394
8	2	54,3	20	1296		952
9						
10						
11						
12						
13						
14						
15						
16						
17						
18						
19						
20						



L C I E

## TYPE 5 PARAMETER SHEET

Rohde & Schwarz  
K6 Pulse Sequencer

Trial Number : 20

Bursts in Trial: 9

Burst	Number of Pulses	Pulse Width (µsec)	Chirp Width (MHz)	Pulse 1-to-2 Spacing (µsec)	Pulse 2-to-3 Spacing (µsec)	Start Location Within Interval (msec)
1	1	84,5	6			890
2	2	89,4	8	1712		681
3	2	86,5	13	1634		839
4	2	57,4	18	1601		1217
5	2	95,7	5	1062		798
6	3	94,5	5	1745	1189	216
7	2	70,5	12	1385		548
8	2	69,9	11	1924		134
9	2	96	13	1778		692
10						
11						
12						
13						
14						
15						
16						
17						
18						
19						
20						



L C I E

# TYPE 5 PARAMETER SHEET

Rohde & Schwarz  
K6 Pulse Sequencer

Trial Number : 21

Bursts in Trial: 10

Burst	Number of Pulses	Pulse Width (µsec)	Chirp Width (MHz)	Pulse 1-to-2 Spacing (µsec)	Pulse 2-to-3 Spacing (µsec)	Start Location Within Interval (msec)
1	2	61,1	18	1731		841
2	1	69,6	17			421
3	2	80,5	7	1015		29
4	2	51,3	14	1021		657
5	2	52,7	14	1046		790
6	2	63,3	20	1279		230
7	1	63,9	12			310
8	3	52,2	9	1109	1579	593
9	2	63,6	14	1519		807
10	3	56	17	1375	1076	205
11						
12						
13						
14						
15						
16						
17						
18						
19						
20						





L C I E

# TYPE 5 PARAMETER SHEET

Rohde & Schwarz  
K6 Pulse Sequencer

Trial Number : 22

Bursts in Trial: 11

Burst	Number of Pulses	Pulse Width (µsec)	Chirp Width (MHz)	Pulse 1-to-2 Spacing (µsec)	Pulse 2-to-3 Spacing (µsec)	Start Location Within Interval (msec)
1	1	85,3	9			517
2	1	60,9	19			1056
3	3	65,2	7	1138	1571	1076
4	3	53,5	8	1862	1214	174
5	2	55,8	13	1101		639
6	2	64,9	7	1630		809
7	2	84,3	19	1556		686
8	2	60,8	13	981		363
9	3	86,7	14	1450	1851	531
10	3	82,4	17	1139	1862	239
11	3	58,1	18	1102	1299	307
12						
13						
14						
15						
16						
17						
18						
19						
20						



L C I E

# TYPE 5 PARAMETER SHEET

Rohde & Schwarz  
K6 Pulse Sequencer

Trial Number : 23

Bursts in Trial: 12

Burst	Number of Pulses	Pulse Width (µsec)	Chirp Width (MHz)	Pulse 1-to-2 Spacing (µsec)	Pulse 2-to-3 Spacing (µsec)	Start Location Within Interval (msec)
1	1	65,7	8			549
2	1	81,7	6			6
3	2	61,8	5	1257		610
4	2	99,5	7	1559		681
5	2	75,5	20	1196		923
6	2	77,7	15	1495		99
7	2	56	7	1268		285
8	2	78,5	9	1892		142
9	2	96,7	17	1834		977
10	2	85,6	13	1022		478
11	1	88,1	19			212
12	2	86,8	17	1007		483
13						
14						
15						
16						
17						
18						
19						
20						



L C I E

# TYPE 5 PARAMETER SHEET

Rohde & Schwarz  
K6 Pulse Sequencer

Trial Number : 24

Bursts in Trial: 13

Burst	Number of Pulses	Pulse Width (µsec)	Chirp Width (MHz)	Pulse 1-to-2 Spacing (µsec)	Pulse 2-to-3 Spacing (µsec)	Start Location Within Interval (msec)
1	1	79,5	20			383
2	3	88,7	20	1519	1294	340
3	2	64,6	5	1619		597
4	2	65,1	17	1365		367
5	2	56,2	20	1095		229
6	3	50,7	11	1637	1159	633
7	3	87,7	14	944	1559	719
8	3	65,6	9	1644	1834	745
9	2	81,4	13	1455		898
10	1	90,7	15			382
11	2	85,6	9	1419		461
12	2	88,3	17	1801		103
13	2	59	14	1701		698
14						
15						
16						
17						
18						
19						
20						



L C I E

# TYPE 5 PARAMETER SHEET

Rohde & Schwarz  
K6 Pulse Sequencer

Trial Number : 25

Bursts in Trial: 14

Burst	Number of Pulses	Pulse Width (µsec)	Chirp Width (MHz)	Pulse 1-to-2 Spacing (µsec)	Pulse 2-to-3 Spacing (µsec)	Start Location Within Interval (msec)
1	2	90,3	20	1361		325
2	2	63,8	10	1434		802
3	1	68,6	5			129
4	1	69,6	13			410
5	3	75,2	13	1208	1604	189
6	2	82,1	18	1766		131
7	2	92,5	18	1688		91
8	2	65,1	17	1648		822
9	3	99,6	18	1235	1393	742
10	2	81,9	18	1280		705
11	2	82,3	12	1255		849
12	1	94,3	5			19
13	2	55,9	15	1784		741
14	3	83,1	15	1226	1329	205
15						
16						
17						
18						
19						
20						



L C I E

# TYPE 5 PARAMETER SHEET

Rohde & Schwarz  
K6 Pulse Sequencer

Trial Number : 26

Bursts in Trial: 15

Burst	Number of Pulses	Pulse Width (µsec)	Chirp Width (MHz)	Pulse 1-to-2 Spacing (µsec)	Pulse 2-to-3 Spacing (µsec)	Start Location Within Interval (msec)
1	3	87,6	9	1547	1025	642
2	2	82,5	10	1377		607
3	3	56,5	9	1437	994	231
4	2	99	6	1240		478
5	1	79,6	5			695
6	2	87,7	18	1830		633
7	3	60,5	18	1504	1118	258
8	3	97,1	18	1587	1144	394
9	3	79,3	14	1071	1272	450
10	1	56,6	7			322
11	2	93,2	19	967		6
12	2	85,7	5	1861		603
13	2	90	8	1177		109
14	2	67	20	1690		441
15	2	90,9	9	1469		138
16						
17						
18						
19						
20						



L C I E

## TYPE 5 PARAMETER SHEET

Rohde & Schwarz  
K6 Pulse Sequencer

Trial Number : 27

Bursts in Trial: 16

Burst	Number of Pulses	Pulse Width (µsec)	Chirp Width (MHz)	Pulse 1-to-2 Spacing (µsec)	Pulse 2-to-3 Spacing (µsec)	Start Location Within Interval (msec)
1	2	80,7	5	1043		405
2	3	61,7	9	1412	1823	24
3	1	63,1	9			261
4	2	67	5	1819		532
5	1	58,3	13			172
6	1	71,3	12			40
7	2	94,2	10	1776		347
8	2	75,3	12	1395		397
9	2	91,3	11	1908		163
10	3	66,5	14	1133	1814	711
11	2	68	13	1780		518
12	3	72,4	6	1796	1266	180
13	3	98,4	14	955	1835	64
14	2	81	6	1065		635
15	2	57,2	18	1274		676
16	2	99,1	18	1873		740
17						
18						
19						
20						



L C I E

## TYPE 5 PARAMETER SHEET

Rohde & Schwarz  
K6 Pulse Sequencer

Trial Number : 28

Bursts in Trial: 17

Burst	Number of Pulses	Pulse Width (µsec)	Chirp Width (MHz)	Pulse 1-to-2 Spacing (µsec)	Pulse 2-to-3 Spacing (µsec)	Start Location Within Interval (msec)
1	3	78,2	15	1832	1762	213
2	2	66,4	8	1589		177
3	2	79,5	5	1417		52
4	3	71	13	1906	1049	75
5	1	85,5	9			515
6	2	56,2	14	1332		209
7	2	82,3	12	1444		296
8	2	55,9	18	1519		49
9	2	73,5	6	1892		371
10	1	94,9	10			184
11	3	59,7	13	974	1059	240
12	1	84	20			593
13	2	87,4	9	1647		77
14	1	97,5	13			567
15	2	74,8	7	1235		518
16	2	90	19	1543		266
17	2	53,9	9	1207		557
18						
19						
20						



L C I E

## TYPE 5 PARAMETER SHEET

Rohde & Schwarz  
K6 Pulse Sequencer

Trial Number : 29

Bursts in Trial: 18

Burst	Number of Pulses	Pulse Width (µsec)	Chirp Width (MHz)	Pulse 1-to-2 Spacing (µsec)	Pulse 2-to-3 Spacing (µsec)	Start Location Within Interval (msec)
1	2	68,2	13	1691		590
2	3	84,7	6	1099	1764	138
3	3	52,7	13	1147	1362	205
4	2	52,5	15	1254		96
5	2	87,6	8	1432		346
6	3	99,6	17	1038	1096	435
7	1	55,1	12			471
8	1	91,7	10			315
9	2	86,6	9	1755		225
10	2	76,2	13	1067		200
11	3	70,3	20	1773	1044	612
12	2	79,5	11	1328		6
13	2	73,8	5	1213		61
14	1	93,8	10			657
15	3	98,9	20	1284	1416	297
16	3	85,5	8	1732	1580	54
17	2	65,2	19	1483		368
18	1	74	20			297
19						
20						





L C I E

# TYPE 5 PARAMETER SHEET

Rohde & Schwarz  
K6 Pulse Sequencer

Trial Number : 30

Bursts in Trial: 19

Burst	Number of Pulses	Pulse Width (µsec)	Chirp Width (MHz)	Pulse 1-to-2 Spacing (µsec)	Pulse 2-to-3 Spacing (µsec)	Start Location Within Interval (msec)
1	3	92,9	13	1390	1002	447
2	2	89,7	11	979		5
3	3	59,1	13	1015	1601	394
4	2	66,4	17	1571		415
5	1	81,2	18			172
6	3	52,3	17	1727	1599	460
7	2	95,1	19	1074		366
8	3	55,3	7	975	1524	92
9	2	70,2	14	1322		193
10	3	78,9	13	1252	1503	235
11	1	54	7			171
12	2	81,3	20	1439		67
13	2	77,2	13	1747		520
14	3	78,3	20	1714	1589	317
15	2	75,6	15	1838		199
16	2	87,3	7	1050		319
17	1	97,8	17			377
18	3	76,3	17	1183	952	557
19	3	66,4	9	1031	1586	608
20						

## TYPE 0

Pulses per Burst	Pulse Width (µsec)	PRI (µs)
18	1	1428



## 12. UNCERTAINTIES CHART

47 CFR Part 15.407 & RSS 247 Kind of test	Wide uncertainty laboratory (k=2) $\pm x(\text{dB}) / (\text{Hz}) /$ ms	Uncertainty limit
RF power, conducted	$\pm 0.6$ dB	$\pm 1.5$ dB
RF power, radiated	$\pm 3.1$ dB	$\pm 1.5$ dB
Temperature	$\pm 0.5$ °C	$\pm 1$ °C

The uncertainty values calculated by the laboratory are lower than limit uncertainty values defined by the CISPR. The conformity of the sample is directly established by the applicable limits values. This table includes all uncertainties maximum feasible for testing in the laboratory, whether or not made in this report