

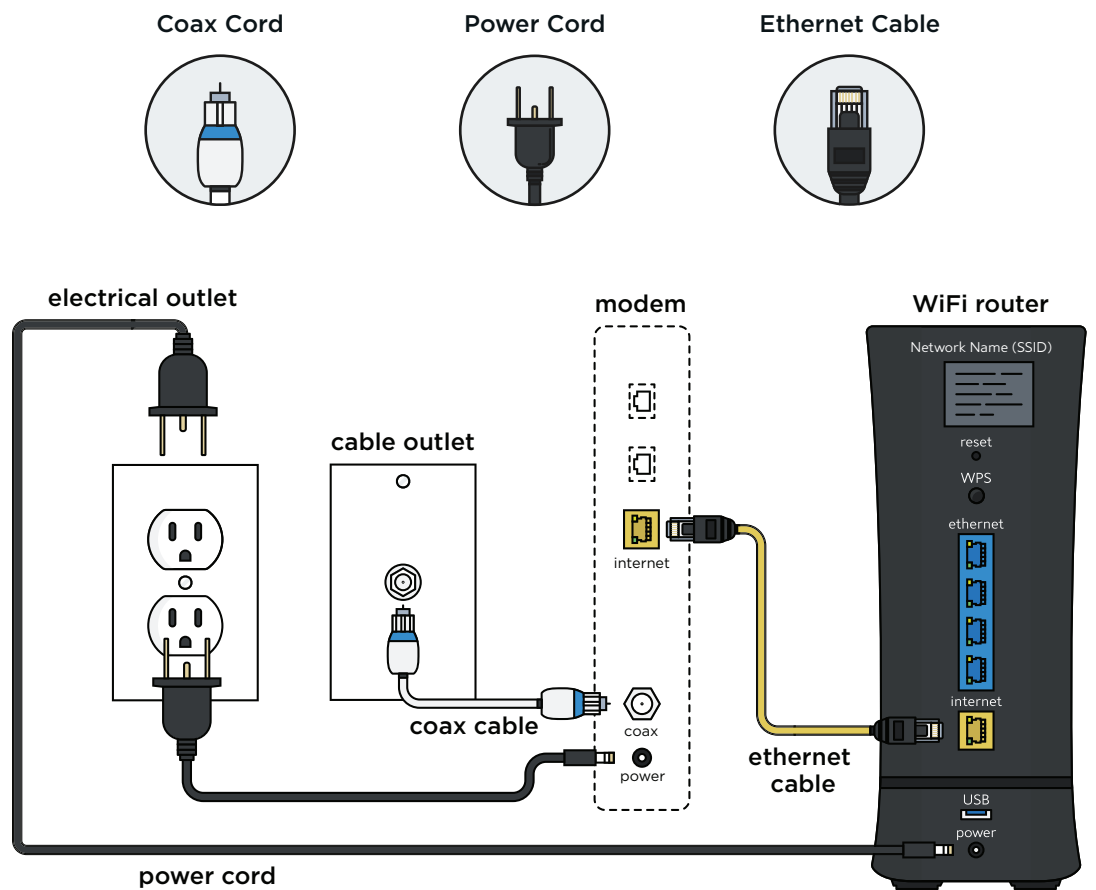
Setting Up WiFi

802.11ac Wave 2 Router



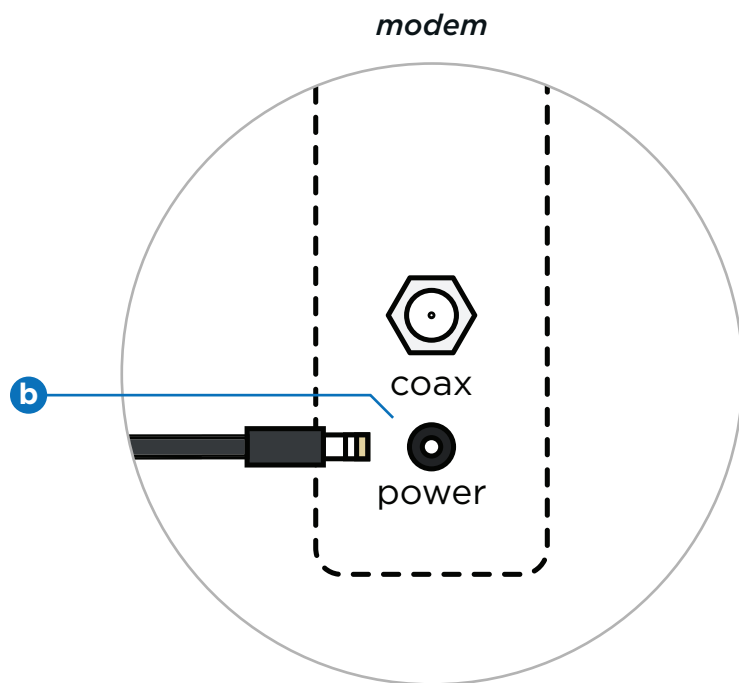
Identify your equipment

Note: You should already have a coax cable connected to your modem.



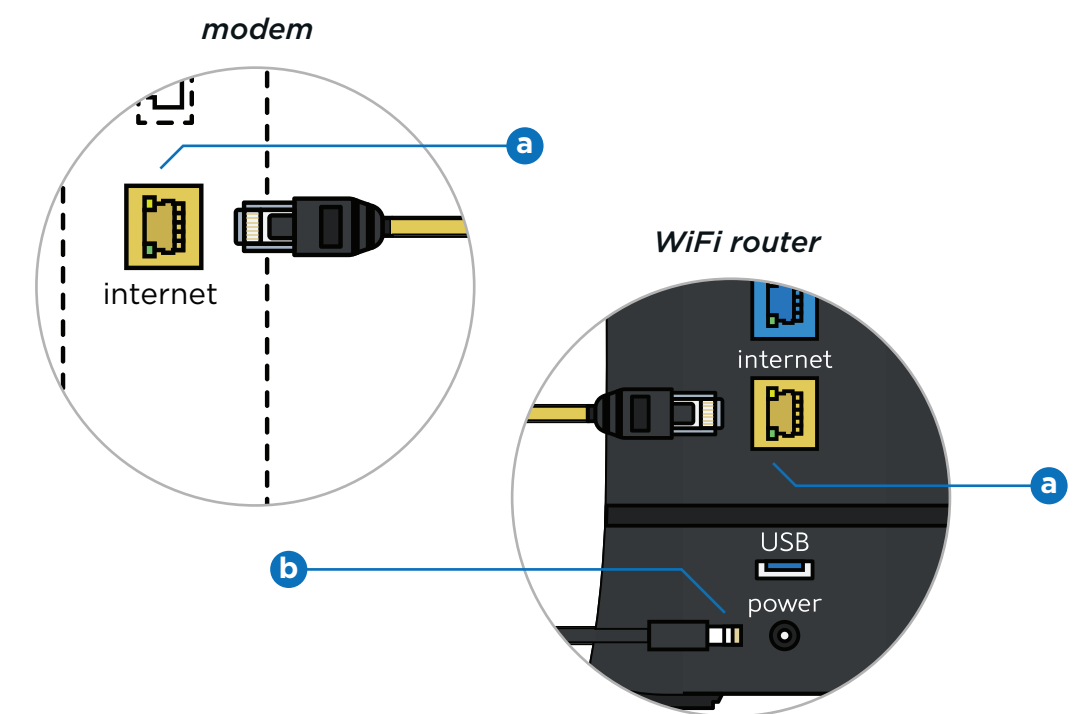
1 Unplug the modem

- Make sure the modem is connected and activated before installing this router.
- Unplug the power cable from the modem, and then plug it back in.
- After you plug in the modem, wait for it to connect to the network (about 2 to 5 minutes) before proceeding to the next step.



2 Connect the modem and the WiFi router

- Connect one end of the Ethernet cable to the modem, and the other end to the yellow internet port on the WiFi router.
- Plug the power cord into the WiFi router, then plug the other end into an electrical outlet.
- Wait for the WiFi light on the front panel of the WiFi router to turn on.



3 Connect a wireless device to the WiFi router

- On your device, make sure your WiFi is turned on, then open the WiFi connections.
- Select the unique network name (SSID) as printed on the WiFi router and on the enclosed stickers. If your device is 5 GHz capable, connecting to the 5G network may provide a better experience.
- Enter the WiFi password as printed on the WiFi router. This password is also printed on the stickers included with the router.

Follow steps A-C to connect other devices.

Tips

To get the best WiFi coverage, place the WiFi router in a central location in your home. Also, avoid placing the device in the basement, a desk drawer or other enclosed area, as this can affect your signal strength.

Place the WiFi router away from household electronics like baby monitors, microwaves and wireless headsets. These can sometimes interfere with your signal.

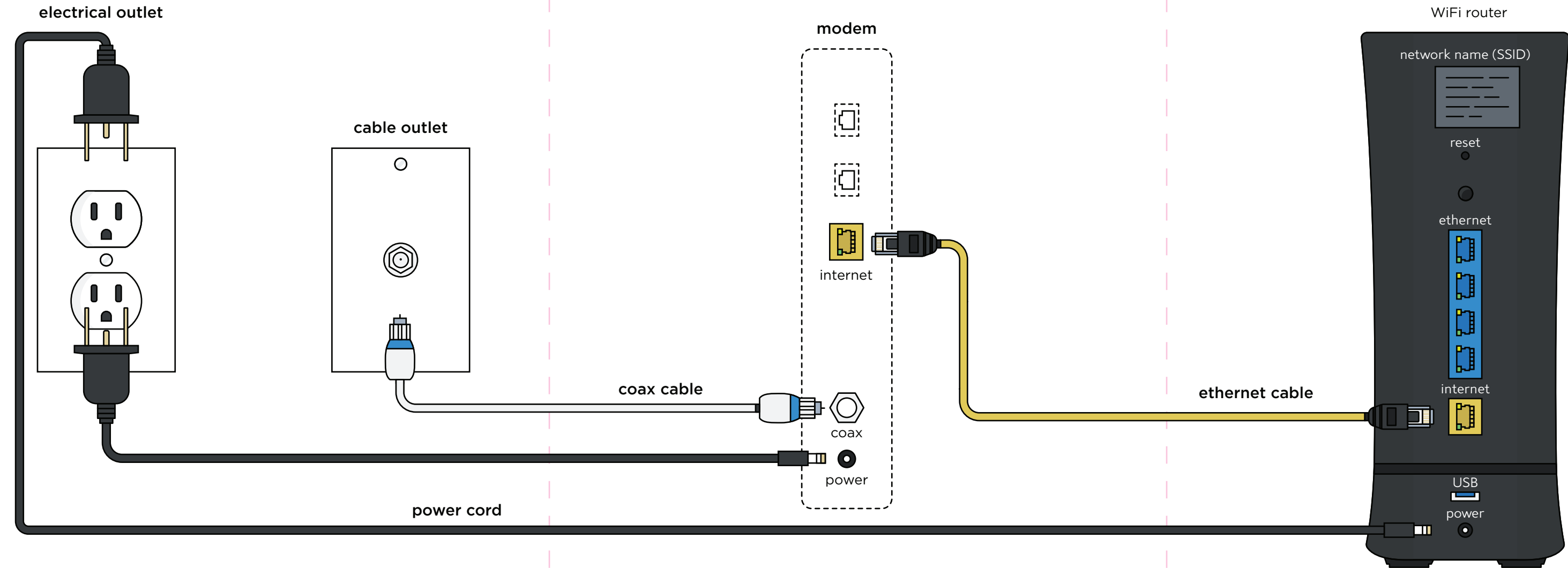
Need more help?

In-home WiFi

spectrum.net/inhomewifi

Business WiFi

spectrumbusiness.net/businesswifi



Important Information about the Sagemcom "FAST 5280" (aka. RAC2V1S):

Installation and Safe Usage Instructions:

1. Place the router in a vertical orientation on a flat surface.
2. Connect the manufacturer supplied AC to DC power adapter. The FAST 5280 router requires the use of a 12VDC, 2.5A power adapter. Only use a manufacturer supplied and approved power adapter and Ethernet cable.
3. Connect the "FAST 5280" to the AC Mains in accordance with the installation instructions in this booklet, and the markings on the identification label (voltage, current, and frequency of electricity network).
4. Connect the Ethernet cable (provided) to the RJ45 port labeled "wan" on one end and to the Internet access device provided by your ISP on the other end.
5. For connection of a computer with an Ethernet cable use one of the RJ45 ports on the product marked "1", "2", "3", or "4". Then connect the other end of the Ethernet Cable to the Ethernet port of a computer. Repeat as necessary with the other available Ethernet ports.

When using this device, basic safety precautions should always be followed to reduce the risk of fire, electric shock, and injury to persons including the following:

1. Do not use this product near water and avoid contact with moisture. For example, does not use near a bathtub, wash bowl, kitchen sink, laundry tub, in a wet basement, or near a swimming pool. Care should be taken so that liquids are not spilled on this equipment.
2. This equipment is for indoor use only, do not place or install in an outdoor location.
3. Place your product on a firm, solid surface, no obstacle at a minimum distance of 20cm (0.65ft). If you put it on something unsteady, it may fall and be damaged. If you place it on a soft surface, such as rug, sofa or cushion, the vents may be blocked, causing the product to overheat.
4. Never insert objects into the vents of this equipment as this can result in the risk of electrical shock or fire.
5. As the power adapter is the only way to connect to the electrical network, the product must be installed near an easily accessed power outlet.
6. This equipment should only be operated with the type of power supply (Voltage and Current) indicated on the marking label.
7. Do not overload wall outlets or extension cords. Doing so can result in the risk of fire or electrical shock.
8. Avoid blocking any vent openings or exhaust exits on this equipment. Do not place equipment in a built-in installation such as a cabinet that may impede the flow of air through the ventilation openings.
9. The equipment should be situated away from heat sources such as radiators, heat registers, stoves, or other heat producing appliances and equipment.
10. Care should be taken to ensure that the power cord is routed, so it is not likely to be walked on or pinched by items placed upon or next to it.
11. Unplug this equipment before cleaning. Do not use liquid cleaners or aerosol cleaners. Use a damp cloth for cleaning only.
12. This equipment is not user serviceable and is to be serviced by qualified personnel only. Do not disassemble this equipment. If service is required, disconnect all power from the equipment and consult qualified service personnel.
13. To disconnect this equipment from AC power, unplug the power supply from the AC wall socket.
14. Connect only to in house equipment (SELV interface). It is not allowed to connect to public cable distribution or cable television network.
15. Use the product in the environment specified as below:
 - Air temperature between 0°C (32 F) and +40°C (104 F).
 - Relative humidity between 20% and 90%.
 - Altitude: 2000 meters (6561ft) maximum.

Save these Instructions!

Federal Communications Commission (FCC) Statements

This device complies with Part 15 of the FCC Rules. Operation is subject to the following two conditions:

- (1) This device may not cause harmful interference, and
- (2) This device must accept any interference received, including interference that may cause undesired operation.

Modifications:

You are cautioned that changes or modifications not expressly approved by the party responsible for compliance could void your authority to operate the equipment.

FCC Responsible Party: Sagemcom USA
14651 N. Dallas Parkway
Suite 900
Dallas, TX 75254
Phone: 972-674-4100

Radio Frequency Interference Statement

Note: This equipment has been tested and found to comply with the limits for a Class B digital device, pursuant to Part 15 of the FCC Rules. These limits are designed to provide reasonable protection against harmful interference in a residential installation. This equipment generates, uses and can radiate radio frequency energy and, if not installed and used in accordance with the instructions, may cause harmful interference to radio communications. However, there is no guarantee that interference will not occur in a particular installation. If this equipment does cause harmful interference to radio or television reception, which can be determined by turning the equipment off and on, the user is encouraged to try to correct the interference by one or more of the following measures:

1. Reorient or relocate the receiving antenna.
2. Increase the separation between the equipment and receiver.
3. Connect the equipment into an outlet on a circuit different from that to which the receiver is connected.
4. Consult the dealer or an experienced radio/TV technician for help.

FCC Radiation Exposure Statement

This equipment complies with FCC radiation exposure limits set forth for an uncontrolled environment. This transmitter must not be co-located or operating in conjunction with any other antenna or transmitter.

This device produces radio frequency energy in the 2.4GHz and 5GHz spectrum. The antenna must be positioned to keep a minimum distance of 30cm (0.98ft) from the radiating element to any nearby person.

Issued by Sagemcom Broadband SAS
Sagemcom
250, route de l'Empereur - 92500 RUEIL MALMAISON
FRANCE

© Sagemcom Broadband SAS 2017
All rights reserved. Subject to availability.
Rights of modifications reserved.
www.sagemcom.com