

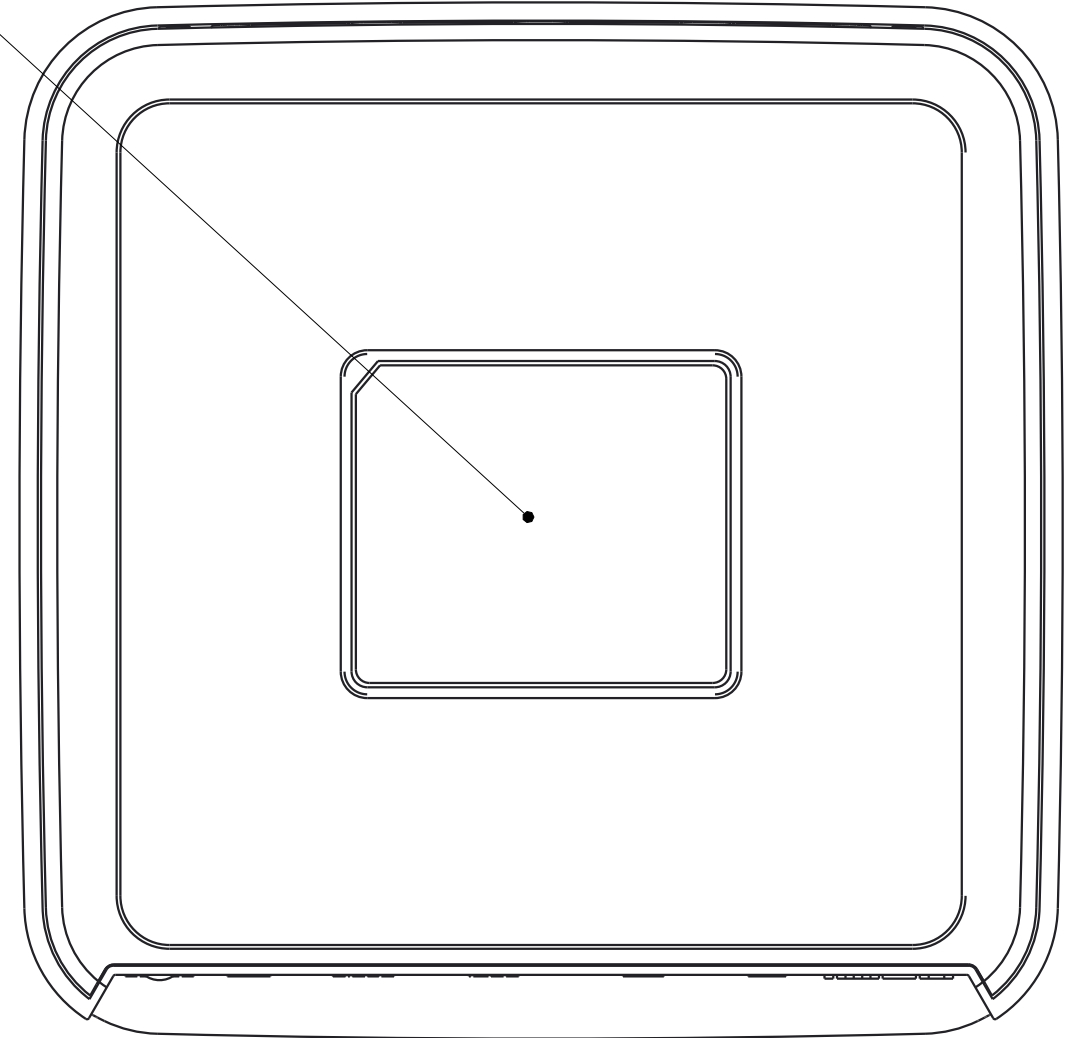
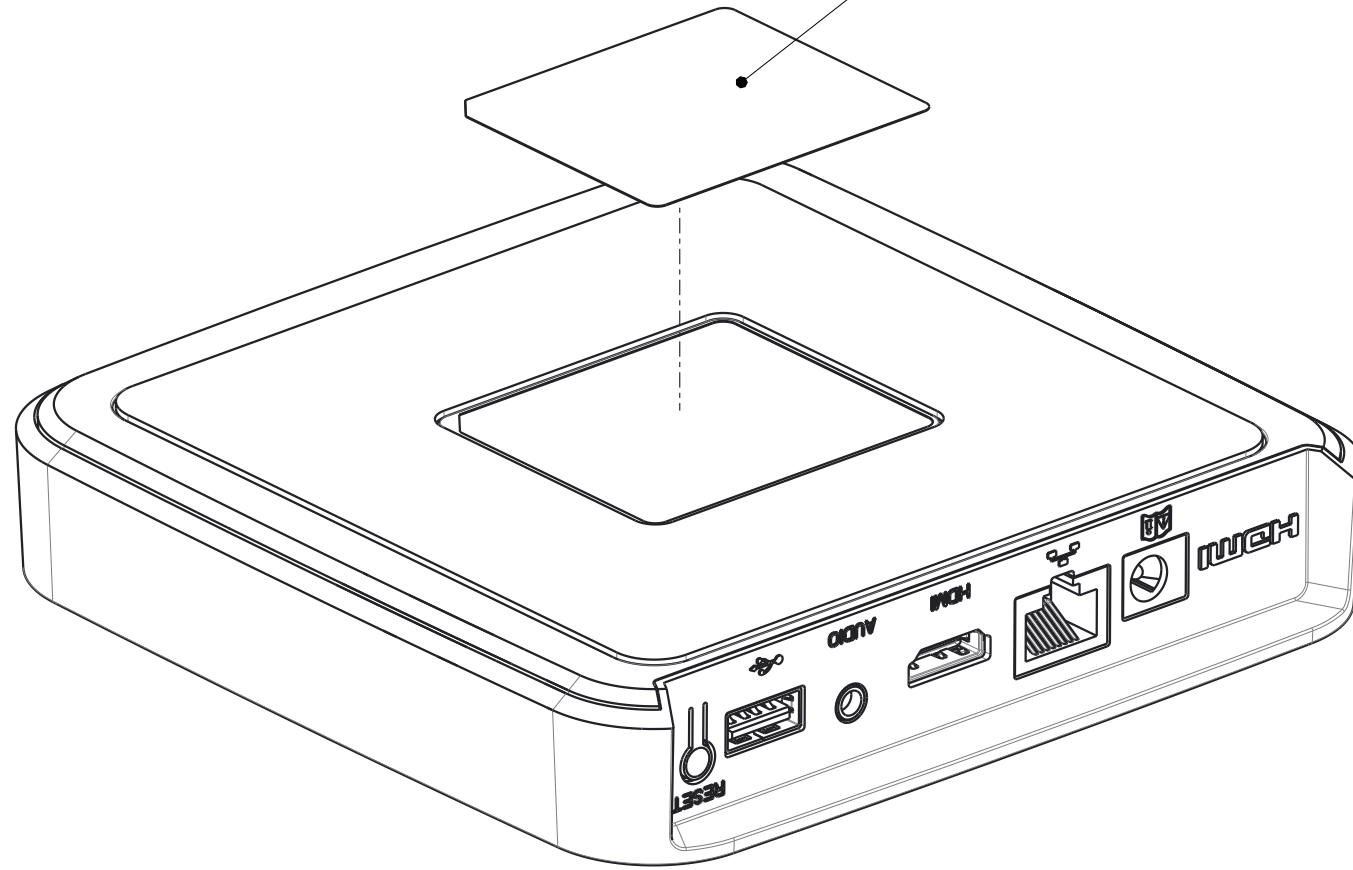
D

C

B

A

Manufacturer label DIW 3930 Cogeco



2

2

1

Conforme aux specifications environnementales Sagemcom,
 incluant la conformite RoHS
 Compliant with Sagemcom environmental specifications,
 including RoHS compliance

CAO/CAD : PRO/ENGINEER (PTC)			MATERIE/MATERIAL		TRAITEMENT/TREATMENT		PROTECTION		ETAT DE SURFACE SURFACE TEXTURE		ECHELLE SCALE		
			.		.		.		MICRONS		1.000		
MODIFIE MODIFIED		NOM/NAME			DATE		VERIFIE CHECKED		NOM/NAME		DATE		
.		H.CHUSSEAU				
LIBELLE DENOMINATION										FEUILLE/SHEET			
										1 \ 1			
Sagemcom				R.FAB/P.N.				FORMAT SIZE		.		.	
				.				A3		NUMERO DU DOCUMENT DRAWING NUMBER		TYPE PART VERS.	
HC 01		06/08/21		NOM VERS.		DATE							

24035757-A

D

C

B

A