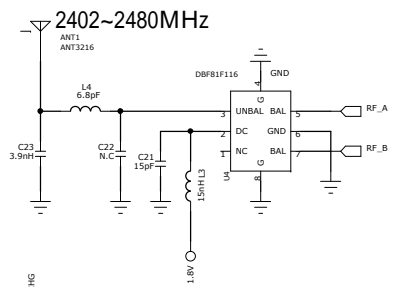
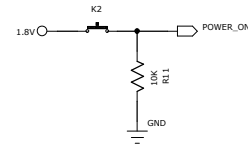
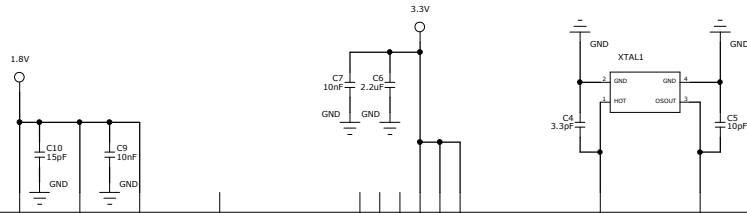
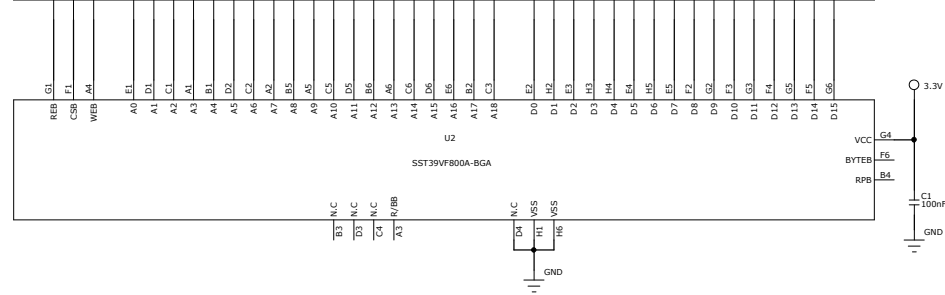
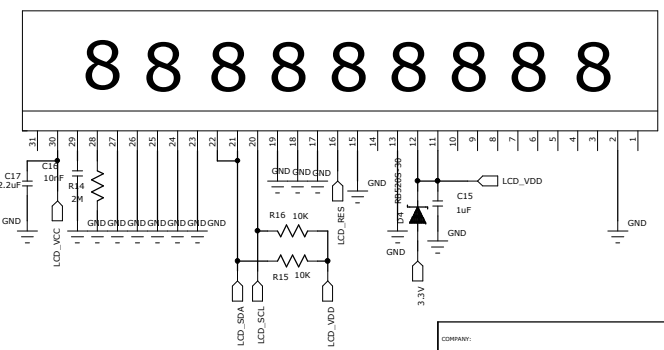
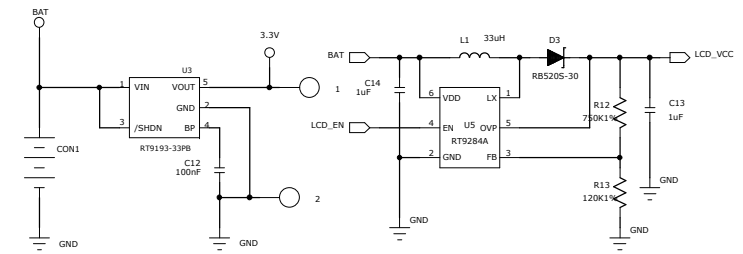
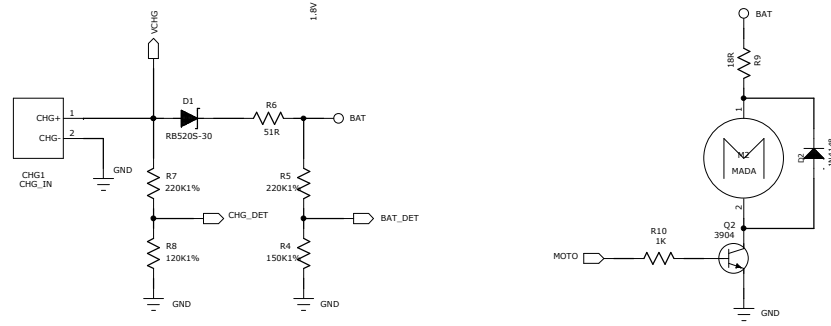
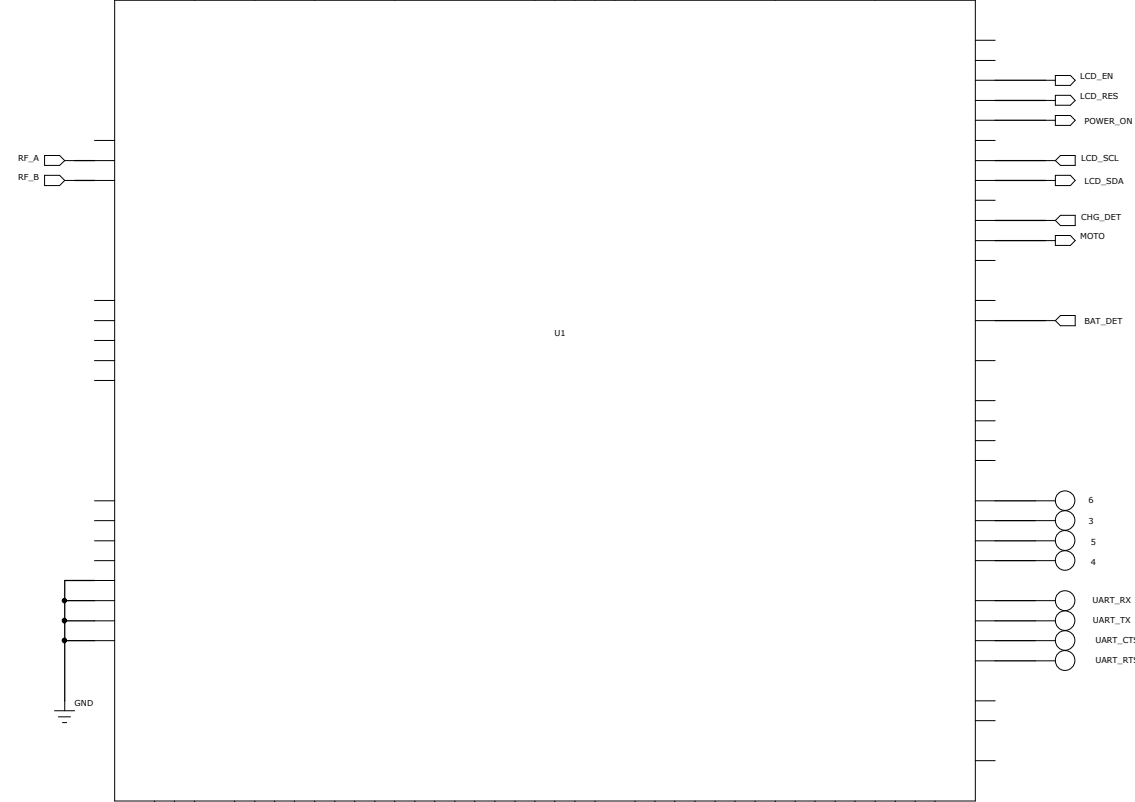


5552070



| REVISION RECORD |         |           |       |
|-----------------|---------|-----------|-------|
| LT#             | ECO NO. | APPROVED: | DATE: |
|                 |         |           |       |
|                 |         |           |       |
|                 |         |           |       |



|                  |        |              |       |
|------------------|--------|--------------|-------|
| COMPANY:         |        |              |       |
| TITLE:           |        |              |       |
| DRAWN:           | DATED: | CODE:        | SIZE: |
| CHECKED:         | DATED: | DRAWING NO.: | REV.: |
| QUALITY CONTROL: | DATED: | SCALE:       |       |
| RELEASED:        | DATED: | SHEET: 0F    |       |