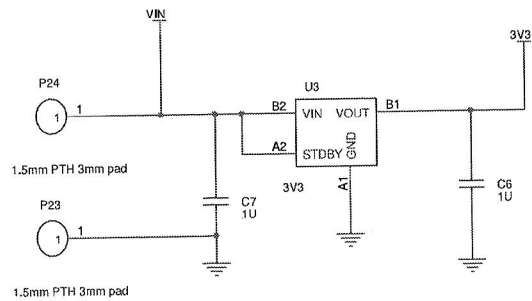


C4 removed, L3 was 3N6, L4 was 2N7, ANTI was 2450AT18B100E



(C) LX TECHNOLOGIES		
Title Bluetooth Module LM780		
Size A3	Document Number ERBLULM780	Rev 04
Date: Monday, August 22, 2011	Sheet 1	of 2

