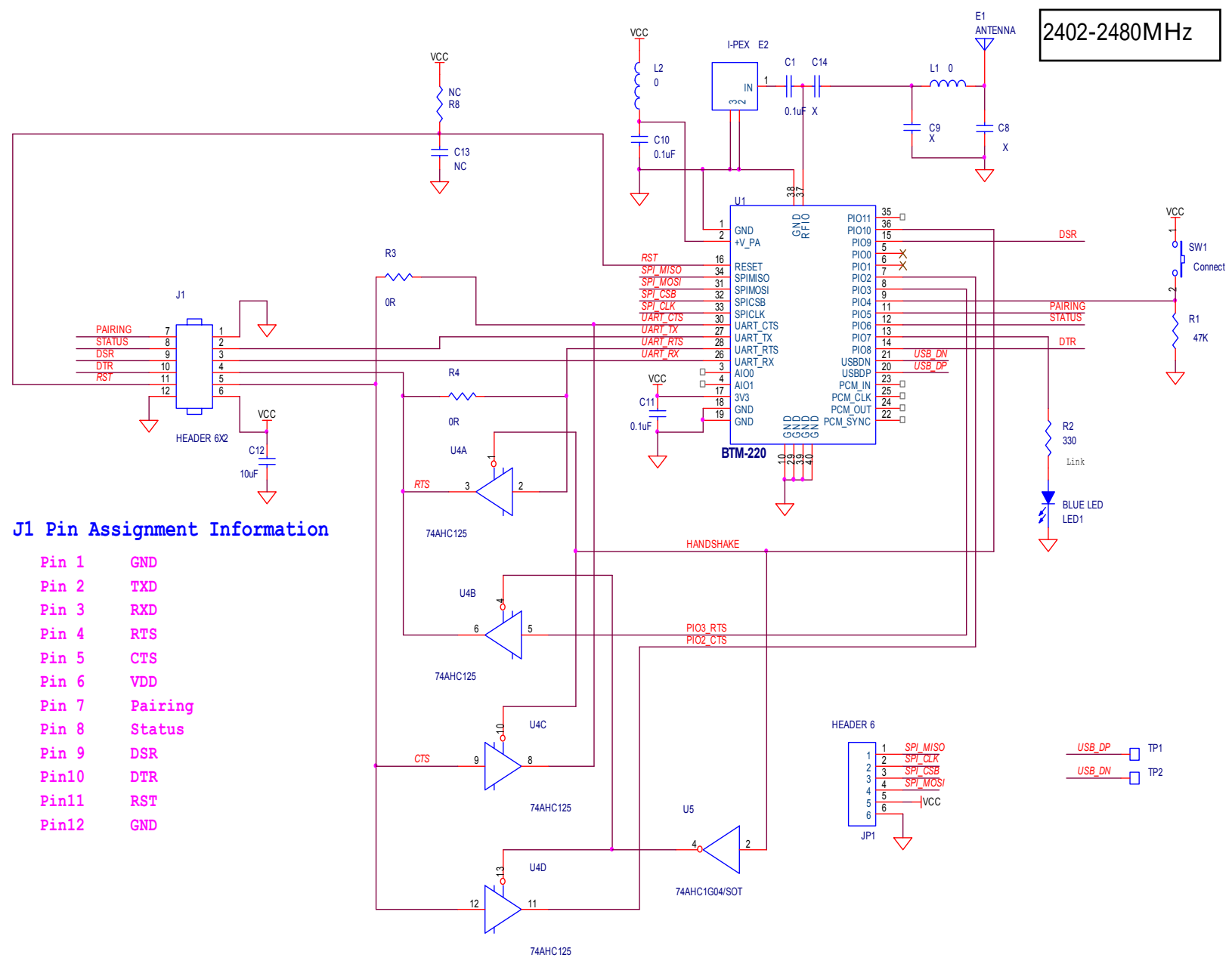
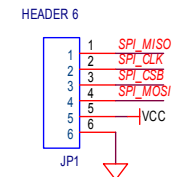


2402-2480MHz



J1 Pin Assignment Information

- Pin 1 GND
- Pin 2 TXD
- Pin 3 RXD
- Pin 4 RTS
- Pin 5 CTS
- Pin 6 VDD
- Pin 7 Pairing
- Pin 8 Status
- Pin 9 DSR
- Pin 10 DTR
- Pin 11 RST
- Pin 12 GND



Title		
LM400 LM072 (LM-058) (LM048)		
Size	Document Number	Rev
B	<Doc>	A1
Date:	Sheet	1 of 1