

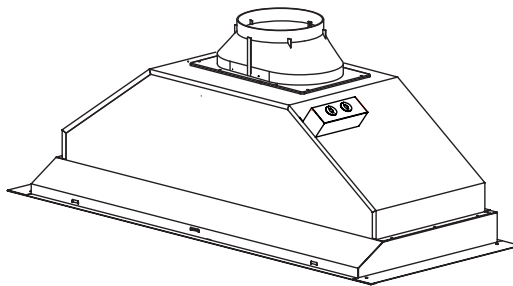
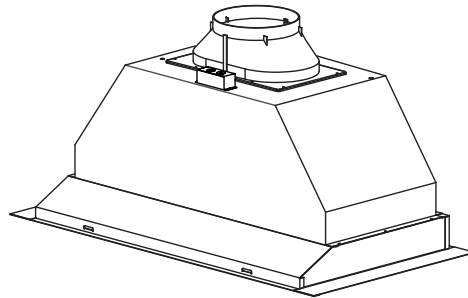
Use, Care, and Installation Guide

Tornado II

AK8200AS

Tornado III

AK8300ASX



Model number: _____

Serial Number: _____

Date of Purchase: _____

Sales Dealer: _____

SAFETY NOTICE 2-3

LIST OF MATERIALS 4

INSTALLATION

 Ducting Calculation Sheet 5

 Mounting Height & Clearance 6

 Ducting Options 7

 Specifications 8

 Electrical 9

 Installing the Power Pack 10

 Single and Dual Internal Blowers 11

 External Blower Preparation 12

FEATURES & CONTROLS

 Touch Controls 13

 RF Remote Control 14

MAINTENANCE

 Cleaning and Installing Filters 15

 Lights 16

TROUBLESHOOTING 17

LIST OF PARTS AND ACCESSORIES 18

Important Safety Notice

WARNING

TO REDUCE THE RISK OF FIRE OR ELECTRIC SHOCK, DO NOT USE THIS FAN WITH ANY SOLID-STATE CONTROL DEVICE.

WARNING

TO REDUCE THE RISK OF FIRE ELECTRIC SHOCK, OR INJURY TO PERSONS, OBSERVE THE FOLLOWING:

- a. Use this unit only in the manner intended by the manufacturer, if you have questions, contact the manufacturer.
- b. Before servicing or cleaning unit, switch power off at service panel and lock panel to prevent power from being switched on accidentally. When the service disconnecting means cannot be locked, securely fasten a prominent warning device, such as a tag, to the service panel.

CAUTION

For general ventilating use only. Do not use to exhaust hazardous or explosive materials and vapors. Take care when using cleaning agents or detergents. Suitable for use in household cooking area.

WARNING

TO REDUCE THE RISK OF RANGE TOP GREASE FIRE:

- a. Never leave surface units unattended at high settings. Boilovers cause smoking and greasy spillovers that may ignite. Heat oils slowly on low or medium settings.
- b. Always turn hood ON when cooking at high heat or when flaming food
- c. Clean ventilating fans frequently. Grease should not be allowed to accumulate on fan or filter.
- d. Use proper pan size. Always use cookware appropriate for the size of the surface element.
- e. Keep fan, filters and grease laden surfaces clean.
- f. Use high setting on hood only when necessary.
- g. Don't leave hood unattended when cooking.
- h. Always use cookware and utensils appropriate for the type of and amount of food being prepared.

WARNING

TO REDUCE THE RISK OF INJURY TO PERSONS IN THE EVENT OF A RANGE TOP FIRE, OBSERVE THE FOLLOWING:

- a. SMOTHER FLAMES with a close-fitting lid, cookie sheet, or metal tray, then turn off the burner. BE CAREFUL TO PREVENT BURNS. If the flames do not go out immediately, EVACUATE AND CALL THE FIRE DEPARTMENT.
- b. NEVER PICK UP A FLAMING PAN – You may be burned.
- c. DO NOT USE WATER, including wet dishcloths or towels – a violent steam explosion will result.
- d. Use an extinguisher ONLY if:
 - 1. You know you have a Class ABC extinguisher, and you already know how to operate it.
 - 2. The fire is small and contained in the area where it started.
 - 3. The fire department is being called.
 - 4. You can fight the fire with your back to an exit

WARNING

TO REDUCE THE RISK OF FIRE, ELECTRIC SHOCK OR INJURY TO PERSONS, OBSERVE THE FOLLOWING:

- a. Installation work and electrical wiring must be done by qualified person(s) in accordance with all applicable codes and standards. Including fire-rated construction.
- b. Sufficient air is needed for power combustion and exhausting of gases through the flue (chimney) of fuel burning equipment to prevent back-drafting. Follow the heating equipment manufacturer's guideline and safety standards such as those published by the National Fire Protection Association (NFPA) and the American Society for Heating, Refrigeration and Air Conditioning Engineers (ASHRAE) and the local code authorities.
- c. When cutting or drilling into wall or ceiling, do not damage electrical wiring and other hidden utilities.
- d. Ducted fans must always vent to the outdoors.
- e. If this unit is to be installed over a tub or shower, it must be marked as appropriate for the application and be connected to a GFI (Ground Fault Interrupter protected branch circuit).
- g. NEVER place a switch where it can be reached from a tub or shower.
- h. Make sure the power is off before installing, wiring or maintenancing.

WARNING

TO REDUCE THE RISK OF FIRE, USE ONLY METAL DUCTWORK.

CAUTION

To reduce risk of fire and to properly exhaust air outside - Do not vent exhaust air into spaces within walls, ceilings, attics, crawl spaces or garages.

OPERATION

Always leave safety grilles and filters in place. Without these components, operating blowers could catch onto hair, fingers and loose clothing.

The manufacturer declines all responsibility in the event of failure to observe the instructions given here for installation, maintenance and suitable use of the product. The manufacturer further declines all responsibility for injury due to negligence and the warranty of the unit automatically expires due to improper maintenance.

***NOTE: Please check www.zephyronline.com for revisions before doing any custom work.**

ELECTRICAL REQUIREMENTS

Important:

Observe all governing codes and ordinances.

It is the customer's responsibility:

- To contact a qualified electrical installer.
- To assure that the electrical installation is adequate and in conformance with National Electrical Code, ANSI/NFPA 70 latest edition* or CSA standards C22.1-94, Canadian Electrical Code, Part 1 and C22.2 No.0-M91 - latest edition** and all local codes and ordinances.
If codes permit and a separate ground wire is used, it is recommended that a qualified electrician determine that the ground path is adequate.

Do not ground to a gas pipe.

Check with a qualified electrician if you are not sure the range hood is properly grounded.

Do not have a fuse in the neutral or ground circuit.

*National Fire Protection Association Batterymarch Park, Quincy, Massachusetts 02269

** CSA International 8501 East Pleasant Valley Road, Cleveland, Ohio 44131-5575

This appliance requires a 120V 60Hz electrical supply and connected to an individual properly grounded branch circuit protected by a 15 or 20 ampere circuit breaker or time delay fuse. Wiring must be 2 wire with ground. Please also refer to Electrical Diagram on product.

AK8200AS (dual blower) - 710W, 5.95 Amps

AK8300ASX (single blower) - 460W, 3.85 Amps

AK8300ASX (dual blower) - 780W, 6.55 Amps

AK8300ASX (external blower) - 840W, 7.3 Amps

A cable locking connector (not supplied) might also be required by local codes. Check with local requirements, purchase and install appropriate connector if necessary.

FEDERAL COMMUNICATION COMMISSION INTERFACE STATEMENT

This equipment has been tested and found to comply with the limits for a Class B digital device, pursuant to Part 15 of the FCC Rules. These limits are designed to provide reasonable protection against harmful interference in a residential installation.

This equipment generates, uses and can radiate radio frequency energy and, if not installed and used in accordance with the instructions, may cause harmful interference to radio communications. However, there is no guarantee that interference will not occur in a particular installation. If this equipment does cause harmful interference to radio or television reception, which can be determined by turning the equipment off and on, the user is encouraged to try to correct the interference by one of the following measures:

- . Reorient or relocate the receiving antenna.
- . Increase the separation between the equipment and receiver.
- . Connect the equipment into an outlet on a circuit different from that to which the receiver is connected.
- . Consult the dealer or an experienced radio/TV technician for help

List of Materials

MODELS: AK8200AS AND AK8300ASX

PARTS SUPPLIED

AK8200AS

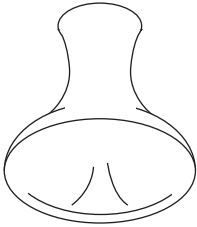
- 1 - Power Pack
- 2 - Decorative mesh filters
- 2 - Halogen light bulbs (pre-installed)
- 1 - Dual internal blower (pre-installed)
- 1 - 8" round adapter
- 1 - RF remote control (with battery)
- 1 - Hardware package

AK8300ASX

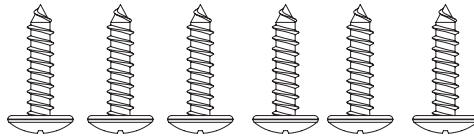
- 1 - Power Pack
- 3 - Decorative mesh filters
- 4 - Halogen light bulbs (pre-installed)
- 1 - 8" round adapter
- 1 - External blower wiring
- 1 - RF remote control (with battery)
- 1 - Hardware package
- NO BLOWER

HARDWARE PACKAGE CONTENTS

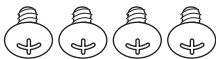
Suction Cup (1)



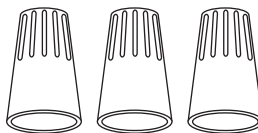
M4 x 1" (6)



M4 x 8 (4)






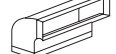







Wire Caps (3)













PARTS NOT SUPPLIED

- Ducting, conduit and all installation tools
- Cable connector (*if required by local codes*)
- Single internal blower kit (*CBI-600B*) - AK8300ASX only
- Dual internal blower kit (*PBI-1100A*) - AK8300ASX only
- External blower kit (*CBE-1000*) - AK8300ASX only
- Optional stainless steel hood liner (*AK08xxAS*)
- Optional baffle filter kit (*Z0F-B082, Z0F-B083*)

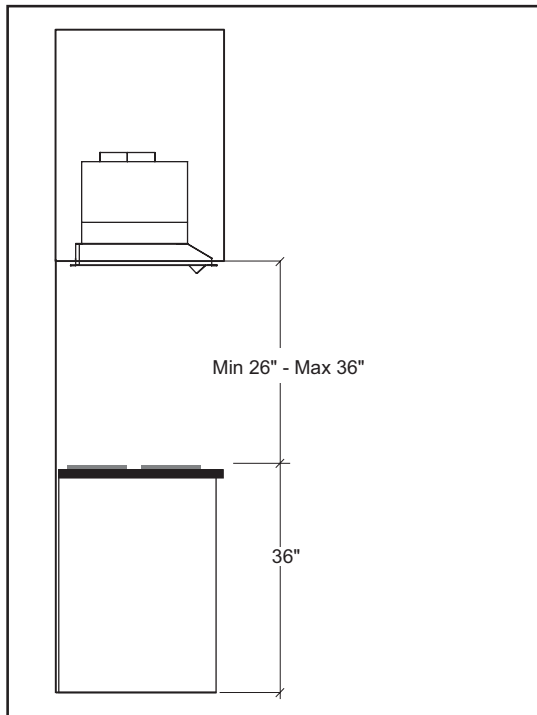
Installation – Ducting Calculation Sheet

Duct pieces		Equivalent number length x used =	Total
	3-1/4" x 10" Rect., straight	1 Ft. x () =	Ft.
	6" Round, straight	1 Ft. x () =	Ft.
	7"-10" Round, straight	1 Ft. x () =	Ft.
	3-1/4" x 10" Rect. 90° elbow	15 Ft. x () =	Ft.
	3-1/4" x 10" Rect. 45° elbow	9 Ft. x () =	Ft.
	3-1/4" x 10" Rect. 90° flat elbow	24 Ft. x () =	Ft.
	3-1/4" x 10" Rect. wall cap with damper	30 Ft. x () =	Ft.
	3-1/4" x 10" Rect. to 6" round transition	5 Ft. x () =	Ft.
	3-1/4" x 10" Rect. to 6" round transition 90° elbow	20 Ft. x () =	Ft.
	6" Round, 90° elbow	15 Ft. x () =	Ft.
	6" Round, 45° elbow	9 Ft. x () =	Ft.
Subtotal column 1 =			Ft.

Duct pieces		Equivalent number length x used =	Total
	6" Round wall cap with damper	30 Ft. x () =	Ft.
	6" Round, roof cap	30 Ft. x () =	Ft.
	6" round to 3-1/4" x 10" rect. transition	1 Ft. x () =	Ft.
	6" round to 3-1/4" x 10" rect. transition 90° elbow	16 Ft. x () =	Ft.
	7" - 10" Round, 90° elbow	15 Ft. x () =	Ft.
	7" - 10" Round, 45° elbow	9 Ft. x () =	Ft.
	7" - 10" Round wall cap with damper	30 Ft. x () =	Ft.
	7" - 10" Round, roof cap	30 Ft. x () =	Ft.
	7" round to 3 1/4" x 10" rect. transition	8 Ft. x () =	Ft.
	7" round to 3-1/4" x 10" rect. transition 90° elbow	23 Ft. x () =	Ft.
Subtotal column 2 =			Ft.
Subtotal column 1 =			Ft.
Total ductwork =			Ft.

Maximum Duct Length: For satisfactory air movement, the total duct length should not exceed 100 equivalent feet.

Installation – Mounting Height & Clearance



Minimum mount height between range top to hood bottom should be no less than 26".

Maximum mount height should be no higher than 36".

It is important to install the hood at the proper mounting height. Hoods mounted too low could result in heat damage and fire hazard; while hoods mounted too high will be hard to reach and will lose its performance and efficiency.

If available, also refer range manufacturer's height clearance requirements and recommended hood mounting height above range.

DUCTING

A minimum of 6" round or 3-1/4" x 10" rectangular duct must be used to maintain maximum air flow efficiency for single blower and 8" round duct for dual and external blower.

Always use rigid type metal ducts only. Flexible ducts could restrict air flow by up to 50%.

Also use calculation (on page 5) to compute total available duct run when using elbows, transitions and caps.

ALWAYS, when possible, reduce the number or transitions and turns. If long duct run is required, increase duct size.

If turns or transitions are required; install as far away from hood duct output and as far apart, between the two as possible.

AK8200AS

Vertical Ducting:

8" round minimum (dual blower)

Horizontal Ducting:

N/A

AK8300ASX

Vertical Ducting:

6" round minimum (single blower)

8" round minimum (dual and external blowers)

Horizontal Ducting:

N/A

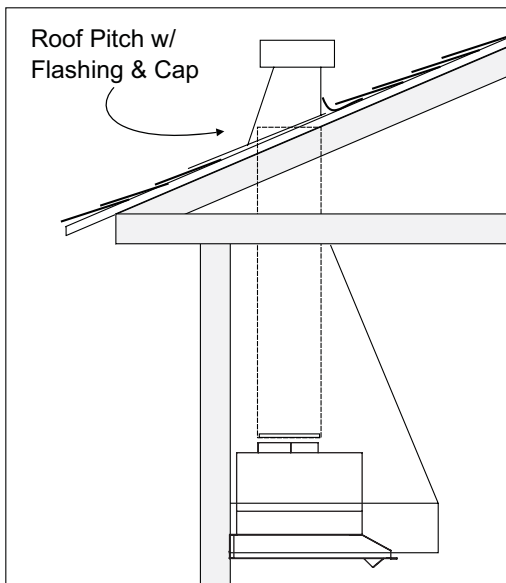
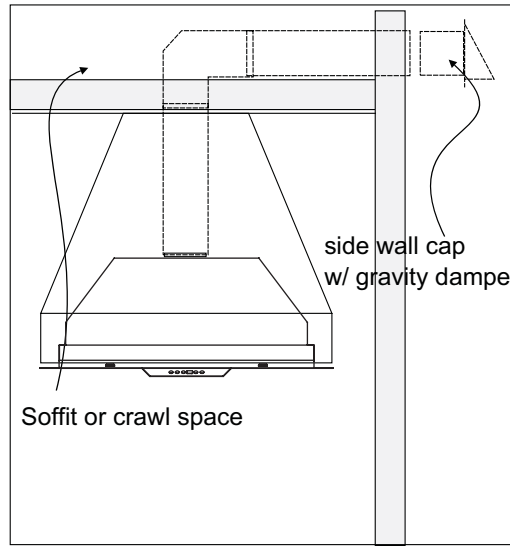
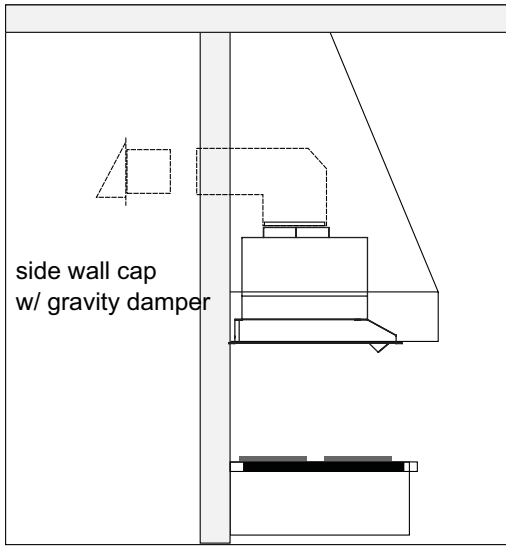
WARNING FIRE HAZARD

NEVER exhaust air or terminate duct work into spaces between walls, crawl spaces, ceiling, attics or garages. All exhaust must be ducted to the outside.

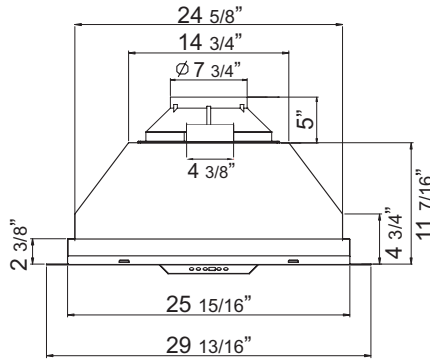
Use metal ductwork only.

Fasten all connections with sheet metal screws and tape all joints with certified Silver Tape or Duct Tape.

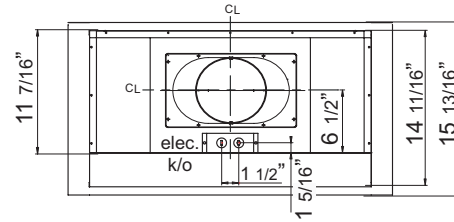
Some Ducting Options



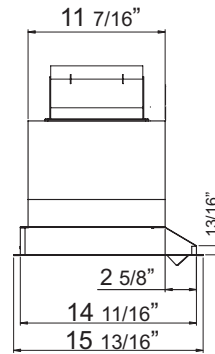
Installation – Specifications



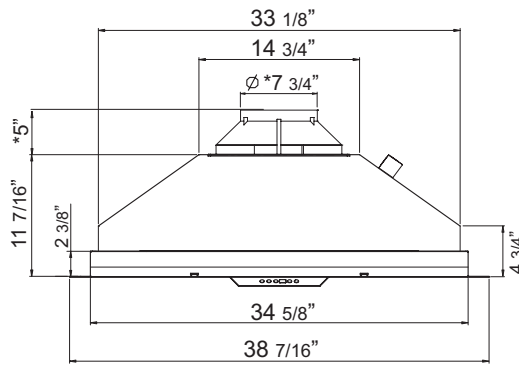
AK8200AS
front



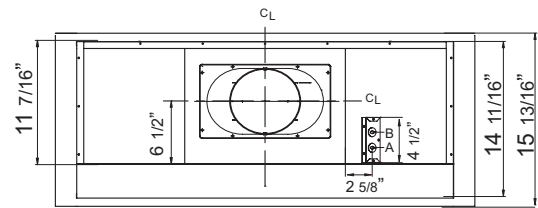
AK8200AS
top



AK8200AS/AK8300ASX
side



AK8300ASX
front



AK8300ASX
top

*note: 8" round transition is only needed if using power pack with a dual internal or external blower.

**ELECTRICAL
WARNING**

All Electrical work must be performed by qualified electrician or person with similar technical know how and background.

For personal safety, remove house fuse or open circuit breaker before beginning installation. Do not use extension cord or adapter plug with this appliance.

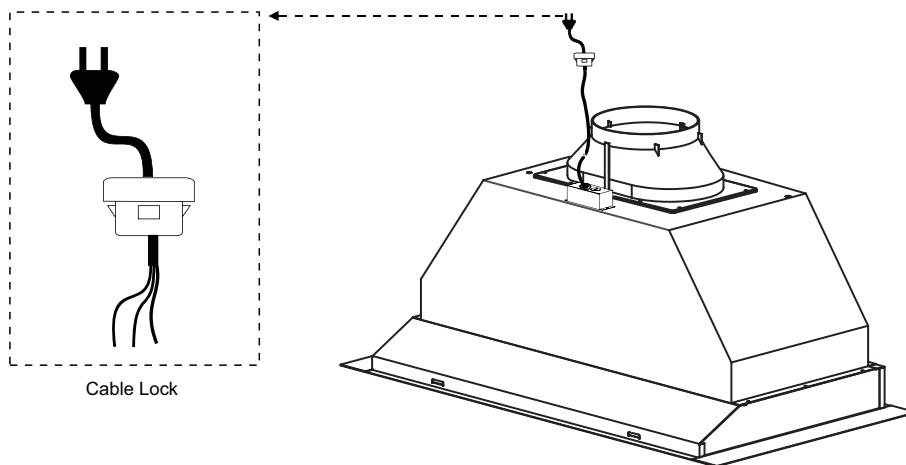
Follow national electrical codes or prevailing local codes and ordinances.

Electrical Supply:

This appliance requires a 120V 60Hz electrical supply, and connected to an individual, properly grounded branch circuit, protected by a 15 or 20 ampere circuit breaker or time delay fuse. Wiring must be 2 wire w/ ground. Please also refer Electrical Diagram labeled on product.

Cable Lock:

A cable locking connector (not supplied) might also be required by local codes. Check with local requirements and codes, purchase and install appropriate connector if necessary.



Installation – Installing the Power Pack

⚠ CAUTION: At least two installers are required due to the weight and size of the hood.

1. Install blower into Power Pack
 AK8200AS - Blower is pre-installed
 AK8300ASX - Refer to page 11 for instructions
Remove support screw from top of Power Pack before installing into cabinet. FIG 2b
2. Install 8" round adapter to top of Power Pack. See page 11, step 3 for instructions.
3. Install optional AK08xxAS Stainless Steel Liner. Review manual included with liner for more details.
4. If no liner is used cut out an opening in the bottom of the cabinet by following the dimensions in FIG 1.
5. Lift Power Pack into opening and secure to bottom of cabinet using (4) M4 stainless steel screws, (1) in each corner; see FIG 2.
note: Wood blocking may need to be added to cabinet base if additional support is needed.
6. Install duct work and seal with duct tape.
7. Install electrical.
8. **Remove all packing materials before using Power Pack.** Switch power on and check for leaks around duct tape.
9. Install decorative mesh or *optional baffle filters. Light panels must be re-positioned if using baffle filters. See FIG 3 for instructions on converting from decorative mesh filters to baffle filters.

note: FIG 3, Picture 1 light panel is flush mounted. FIG 3, Picture 4 light panel is angled inward with the baffle filter.

*Baffle filters are sold as an optional accessory, turn to the "List of Parts and Accessories" page for part numbers.

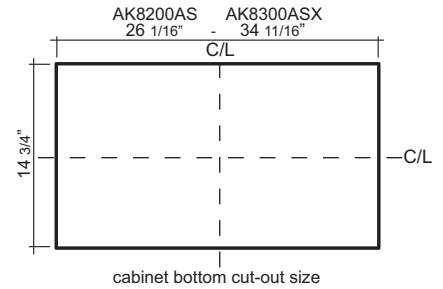


FIG 1

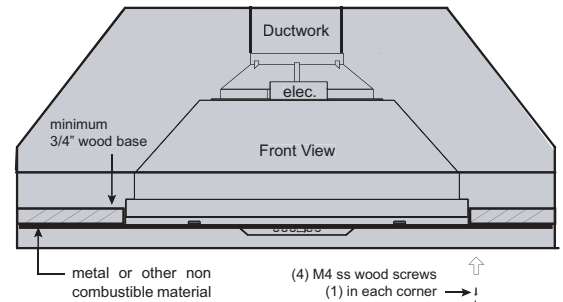


FIG 2

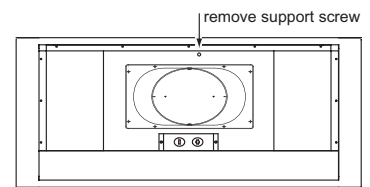
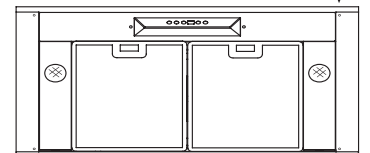


FIG 2b

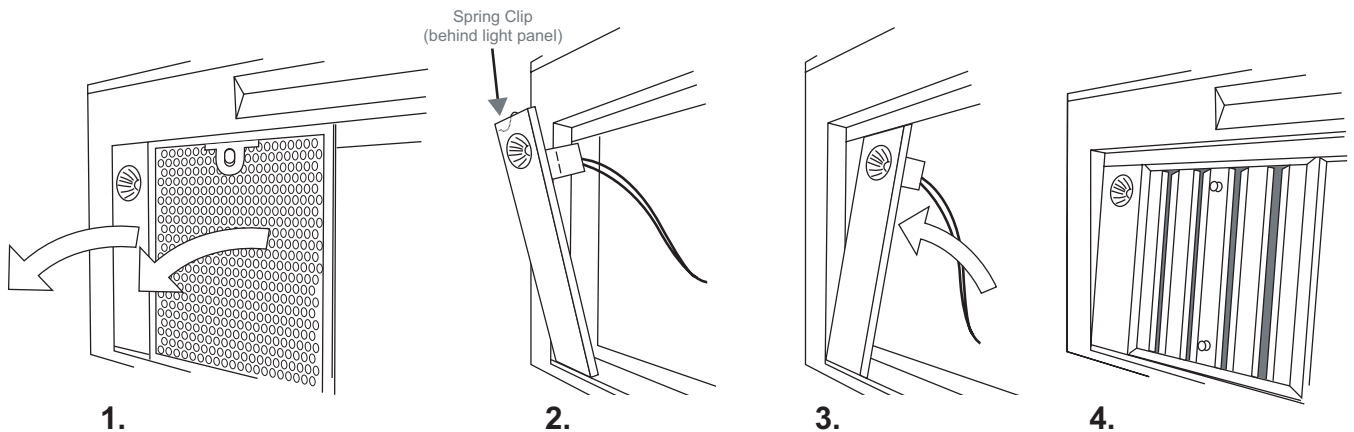
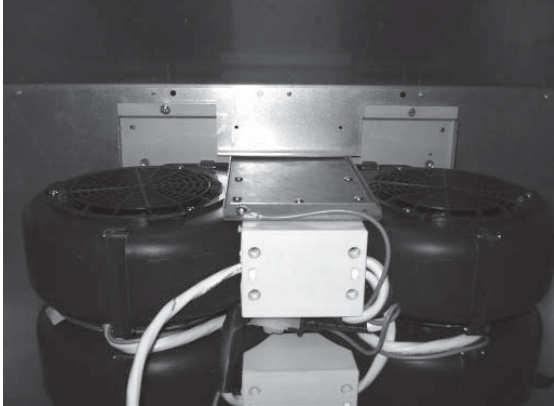


FIG 3

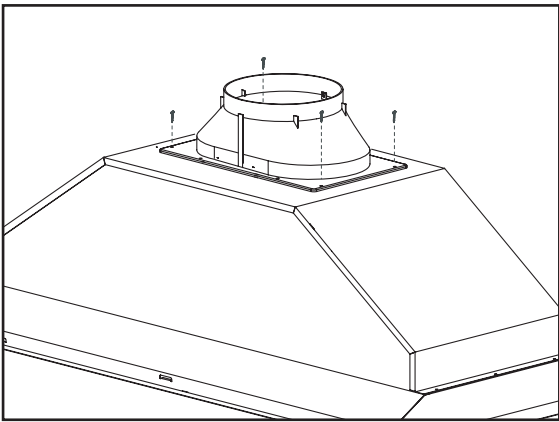
**MULTIPLE BLOWERS ARE COMPATIBLE WITH AK8300ASX ONLY.
AK8200AS INCLUDES A 1000 CFM DUAL BLOWER ONLY.
FOR EXTERNAL BLOWER INSTRUCTIONS TURN TO PAGE 12.**



1. Position blower plate over bracket on inside back of hood and pivot up. Secure plate to hood with (2) 10x3/16" screws. (blower pictured is a PBI-1100A)

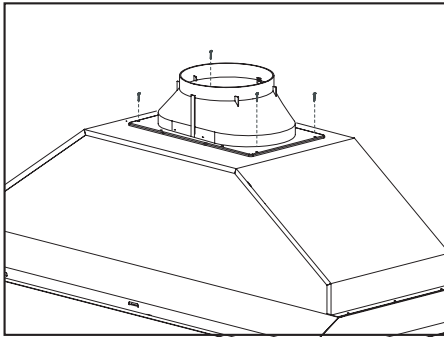


2. Connect 6 pin male connector from blower wiring to 6 pin female connector in the power pack. (plug is located inside the power pack protruding from the white control board box).

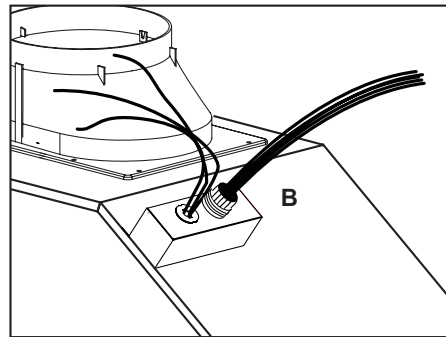


3. **Single Blower** – Connect 6" round duct work to blower collar.
Dual Blower – Place 8" round adapter on top of power pack and secure with (4) M4x8 screws. Connect 8" round duct work to 8" round adapter.

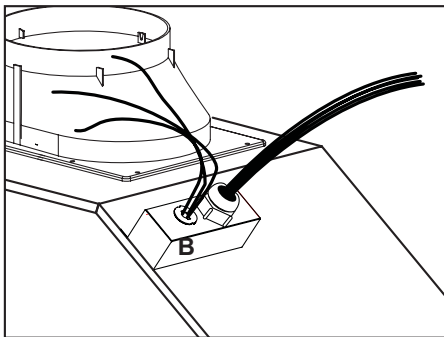
Installation – External Blower Preparation



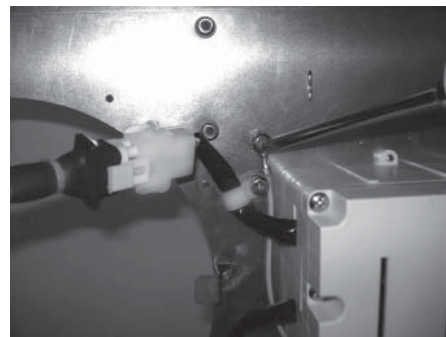
1. Place 8" round adapter on top of power pack and secure with (4) M4x8 screws. Connect 8" round duct work to 8" round adapter.



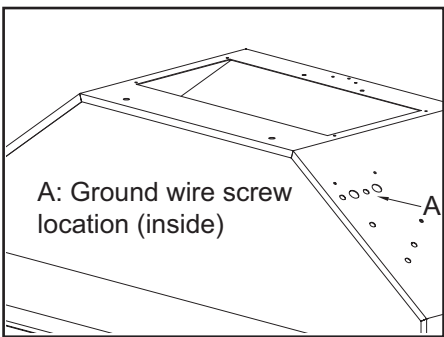
2. Install threaded end of external blower wiring through external blower wiring knock out (**B**) located in junction box on top of power pack.



3. Place cap over threaded end of external blower wiring and secure by turning clockwise.

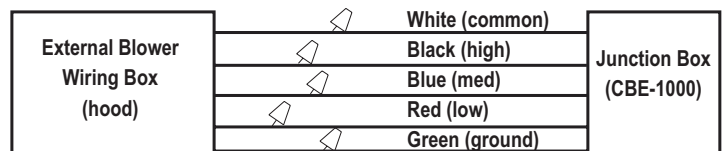


4. Connect 6 pin male connector from blower wiring to 6 pin female connector in the power pack. (plug is located inside the power pack protruding from the white control board box).

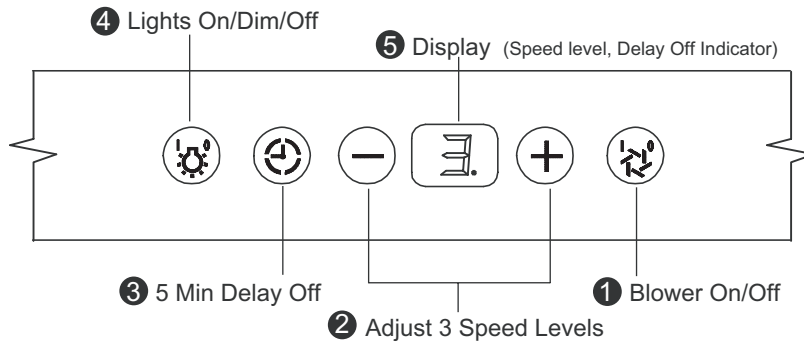


5. Secure green ground wire from external blower wiring to ground screw located inside the power pack


CBE-1000: WIRING DIAGRAM






NOTE: For instructions on mounting the external blower, please refer to the CBE-1000 manual included in the external blower packaging and on our website: www.zephyronline.com





1 Blower On/Off

By pressing , the blower is switched On and Off. When switched on, the blower turns on at the same speed it was switched off at. When switched off the entire hood powers off, including the lights.


2 Speed Selection

The 3 speed levels are selected by pressing  to decrease and  to increase speed level. The display indicates speed level selected. Pressing  when the hood is off will also turn it on.

3 Delay Off

This is used for programmed shut down of blower and lights 5 minutes after the function is activated. Press  once, a dot displays in the lower right hand side of display  indicating the function is on. The hood will change to speed 1 and shut down after 5 minutes.

4 Lights On/Dim/Off

Switch lights On by pressing  once, again to dim and again to switch Off.

5 Display

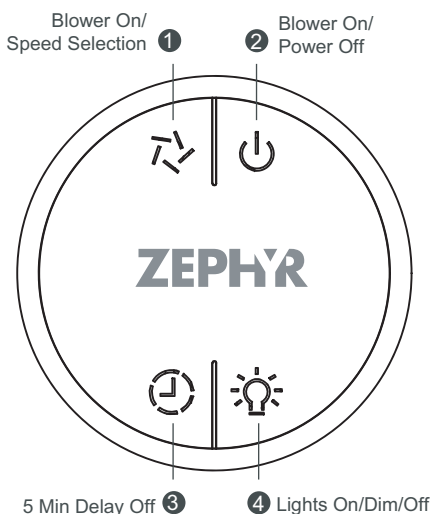
Displays blower speed level and delay off status.

FCC Caution: To assure continued compliance, any changes or modifications not expressly approved by the party responsible for compliance could void the user's authority to operate this equipment. (Example - use only shielded interface cables when connecting to computer or peripheral device. This device complies with Part 15 of the FCC Rules. Operation is subject to the following two conditions. (1) This device may not cause harmful interference, and (2) This device must accept any interference received, including interference that may cause undesired operation.


This remote control may operate in humid environments, but not when placed on a wet surface.

REMOTE CONTROL FEATURES:



The RF remote control is equipped with a magnet for easy storage. The remote may be placed on any magnetic surface such as a refrigerator or the Zephyr remote holder. Maximum remote control communication distance from power pack is 15 feet.




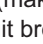
1 Blower On/Speed Selection

By pressing , the blower is switched On. Press  again to cycle through all three blower speeds.

2 Blowers On/Hood Off

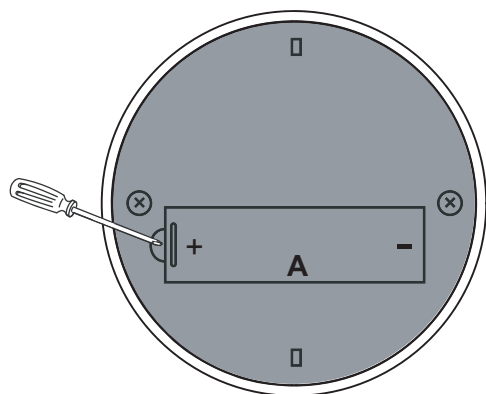
By pressing , the blowers will power on at the last speed setting. Press  again and the entire hood will power off, including lights.

3 Delay Off

By pressing , the blower and lights will enter Delay Off mode. A dot will appear in the lower right corner of the power pack display  indicating the function is on. The blower will change to speed 1 and shut down after 5 minutes.

4 Lights On/Dim/Off

Switch lights On by pressing  once, again to dim and again to switch Off.



REMOTE CONTROL MAINTENANCE:

Clean the remote control using non abrasive detergents

Follow instructions below for replacing battery.

Using a small flat head screwdriver, raise the cover of the battery door (A) in order to access the battery compartment.

Remove the battery and replace with Type **A23 12V**. Negative end of battery should face the spring inside the remote.

Replace battery door and recycle old battery.

If the remote control does not work after installation (yet the hood works correctly):

1. Place remote control on the counter near the hood (make sure a good battery is installed).
2. Disconnect power from the hood by turning off circuit breaker.
3. Reconnect power to the hood.

Follow this procedure whenever the remote control does not work.

SURFACE MAINTENANCE:

Clean periodically with hot soapy water and clean cotton cloth. Do not use corrosive or abrasive detergent, or steel wool/ scoring pads which will scratch and damage surface. Do not use products containing chlorine bleach or orange cleaners.

For heavier soil use liquid degreaser.

After cleaning, you may use non-abrasive stainless steel polish/ cleaners, to polish and buff out the stainless luster and grain. Always scrub lightly using a micro fiber or clean cotton cloth and with the grain.

Decorative Mesh and Baffle Filters

The filters are intended to trap residue and grease from cooking. Although the filters should never need replacing, they are required to be cleaned every 30 days or more often depending on cooking habits.

Filters may be placed in dishwasher at low heat or soaked in hot soapy water. Dry filters and re-install before using hood.

Installing Decorative Mesh Filters, FIG 4:

1. Place back of filter into channel on back of power pack.
2. Pull down on filter handle and pivot up until filter is flush with bottom of power pack and locks into place.

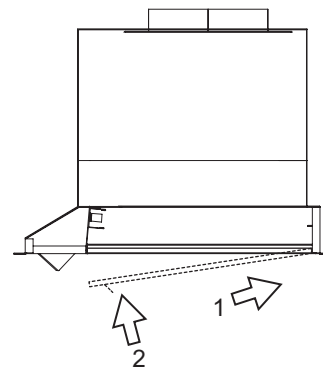


FIG 4

Replacing Decorative Mesh Filters:

Hood Model:	Part No.	Qty. to Order
AK8200AS	50200023	2
AK8300ASX	50200023	3

Installing Baffle Filters, FIG 5:

1. Place filter into top groove of the power pack as shown and pull towards front of power pack using handles.
2. Pivot back of filter upwards so it is angled in the power pack.
3. Push filter into channel on back of power pack to lock into place.

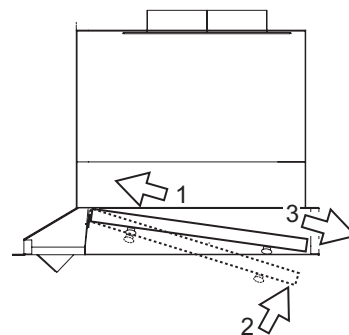


FIG 5

Replacing/Ordering Baffle Filters:

Hood Model:	Part No.	Qty. Included
AK8200AS	Z0F-B082	2
AK8300ASX	Z0F-B083	3

REPLACING LIGHT BULBS

CAUTION: Light bulb becomes extremely hot when turned on.

DO NOT touch bulb until switched off and cooled. Touching hot bulbs could cause serious burns.

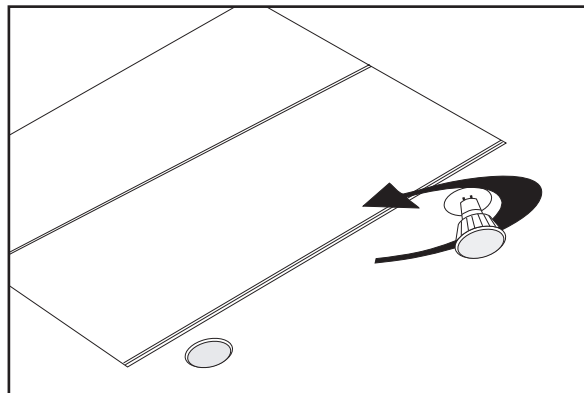
Make sure all power is turned off and bulbs are not hot.

Remove by turning bulb counter clockwise. **Note:** Bulb does not unscrew; it turns 60 degrees, stops and falls out.

If bulbs are difficult to turn due to prolonged use, firmly attach a glass suction cup approximately the diameter of the bulb or use a rubber/latex glove and turn counter clockwise.

Replacement bulbs are available at specialty lighting stores. Purchase type MR16 (GU-10) 35W halogen.

For Zephyr part numbers please turn to page 18 of the manual.



Bottom View

TROUBLESHOOTING PROCEDURES FOR TORNADO II AND TORNADO III

Issue	Cause	What to do
After installation, the unit doesn't work.	1. The power source is not turned ON.	1. Make sure the circuit breaker and the unit's power is ON.
	2. The power line and the cable locking connector is not connecting properly.	2. Check the power connection with the unit is connected properly.
	3. The switch board and control board wirings are disconnected.	3. Make sure the wirings between the switch board and control board are connected properly.
	4. The wires on control board are loose.	4. Make sure the wires on the control board are connected properly.
	5. The switch board or control board is defective.	5. Change the switch board or control board.
Light works, but motor is not turning.	1. The motor is defective, possible seized.	1. Change the motor.
	2. The thermally protected system detects if the motor is too hot to operate and shuts the motor down.	2. The motor will function properly after the thermally protected system cool down.
	3. Damaged capacitor.	3. Change the capacitor.
	4. The motor wire is not connected.	4. Make sure the motor wire is plugged into the molex connector.
The unit is vibrating.	1. The motor is not secure in place.	1. Tighten the motor in place.
	2. Damaged blower wheel.	2. Change the blower.
	3. The hood is not secured in place.	3. Check the installation of the hood.
The motor is working, but the lights are not.	1. Defective halogen bulb.	1. Change the halogen bulb.
	2. The light bulb is loose.	2. Tighten the light bulb.
	3. The wires on the control board are loose.	3. Make sure the wires on control board are connected properly.
The hood is not venting out properly.	1. The hood might be hanging too high from the cook top.	1. Adjust the distance between the cook top and the bottom of the hood within 26" and 36" range.
	2. The wind from the opened windows or opened doors in the surrounding area are affecting the ventilation of the hood.	2. Close all the windows and doors to eliminate the outside wind flow.
	3. Blockage in the duct opening or duct work.	3. Remove all the blocking from the duct work or duct opening.
	4. The direction of duct opening is against the wind.	4. Adjust the duct opening direction.
	5. Using the wrong size of ducting.	5. Change the ducting to correct size.
Metal filter is vibrating.	1. Metal filter is loose.	1. Change the metal filter.
	2. Spring clip is broken.(baffle filter)	2. Change the spring clip.
RF Remote control does not work	1. Battery is dead	1. Replace battery with type A23 12v
	2. Poor communication with the power pack	2. Remote control must be within 15 ft of power pack
	3. RF remote lost communication with power pack	3. Reset power pack and remote by switching power off at the circuit breaker for 5 minutes. Place remote on counter top near power pack and switch the circuit breaker back on.

List of Parts and Accessories

DESCRIPTION	PART #
Replacement Parts	
Light Bulb MR16 (GU10) 35W (each)	Z0B-0023
Decorative Mesh Filter (each)	50200023
Optional Accessories	
Single blower (AK8300ASX only)	CBI-600B
Dual blower (AK8300ASX only)	PBI-1100A
External blower (AK8300ASX only)	CBE-1000
*Baffle Filter Kit (AK8200AS)	Z0F-B082
*Baffle Filter Kit (AK8300ASX)	Z0F-B083
Liner,36" (AK8200AS)	AK0806AS
Liner,42" (AK8200AS)	AK0842AS
Liner,48" (AK8300ASX)	AK0848AS
Liner,54" (AK8300ASX)	AK0854AS
Liner,60" (AK8300ASX)	AK0860AS

To order parts, visit us online at <http://store.zephyronline.com> or call us at 1.888.880.8368

*If installing optional baffle filter accessory, the side light panels must be removed and repositioned for proper installation. See page 10 for more details.

TO OBTAIN SERVICE UNDER WARRANTY:
or any Service Related Questions, please call:
1-888-880-8368

Staple your receipt here.
Proof of the original purchase date is needed
to obtain service under the warranty.

TO OBTAIN SERVICE UNDER WARRANTY: You must present proof of original purchase date.
Please keep a copy of your dated proof of purchase (sales slip) in order to obtain service under warranty.

One Year Service Repair Warranty:

For one year from date of original purchase, we will provide free of charge, service labor to repair any failed parts or components due to manufacturing defects.

Ten Years Parts Warranty:

For ten years from date of original purchase, we will provide free of charge, nonconsumable replacement parts or components that failed due to manufacturing defects. Consumable parts not covered by this warranty include: Light Bulbs, Metal and Carbon Filters.

Who is Covered:

This warranty is extended to the original purchaser for products purchased for ordinary home use in the 48 mainland states, Hawaii and Washington D.C. In Canada and Alaska, this warranty is Limited. There might be costs associated with shipping the products to our designated service locations or you might need to pay service technician's travel costs, to have the appliance repaired in-home.

This Warranty will be Voided When:

Product damaged through negligence, misuse, abuse, accident. Improper installation and failure to follow installation instructions. When product is used commercially or other than its intended purpose. Damaged because of improper connection with equipment of other manufacturers. Repaired or modified by anyone other than Zephyr's Authorized Agents.

What is Not Covered:

Consumable parts such as light bulbs, filters, and fuses. Services outside of service area and the labor cost incurred in connection with the removal, shipping and reinstallation cost, nor does it cover any other contingent expenses. The natural wear of finish, and wear due to improper maintenance, use of corrosive and abrasive cleaning products, pads, and oven cleaner products. Chips, dents or cracks due to abuse, misuse, freight damage, or improper installation. Service trips to your home to teach you how to use the product. Damage of product caused by accident, fire, floods or act of God.

This warranty is valid in the United States and Canada. It is non-transferable and applies only to the original purchaser and does not extend to subsequent owners of this product. Any applicable implied warranties, including the warranty of merchantability, are limited in duration to a period of express warranty as provided herein beginning with the date of original purchase at retail and, no warranties, whether express or implied, shall apply to this product thereafter.

Have your product proof of purchase with date ready for warranty issues.

Or write to:

Zephyr Corporation
Service and Warranty Department
395 Mendell Street
San Francisco, CA 94124