

# Operational description

Operate at ISM frequency bands (2.4GHz)

GSPI/SDIO for WiFi and UART for Bluetooth

IEEE standards support: IEEE 802.11b, IEEE 802.11g, IEEE 802.11n,

IEEE 802.11d, IEEE 802.11e, IEEE 802.11h, IEEE 802.11i

Fully Qualified for Bluetooth 2.1 + EDR specification including both 2Mbps and 3Mbps modulation mode

Fully qualified for Bluetooth 3.0

Fully qualified for Bluetooth 4.0 Dual mode

Full –speed Bluetooth operation with Piconet and Scatternet support.

Enterprise level security which can apply WPA/WPA2 certification for WiFi.

WiFi 1 transmitter and 1 receiver allow data rates supporting up to

150 Mbps downstream and 150 Mbps upstream PHY rates

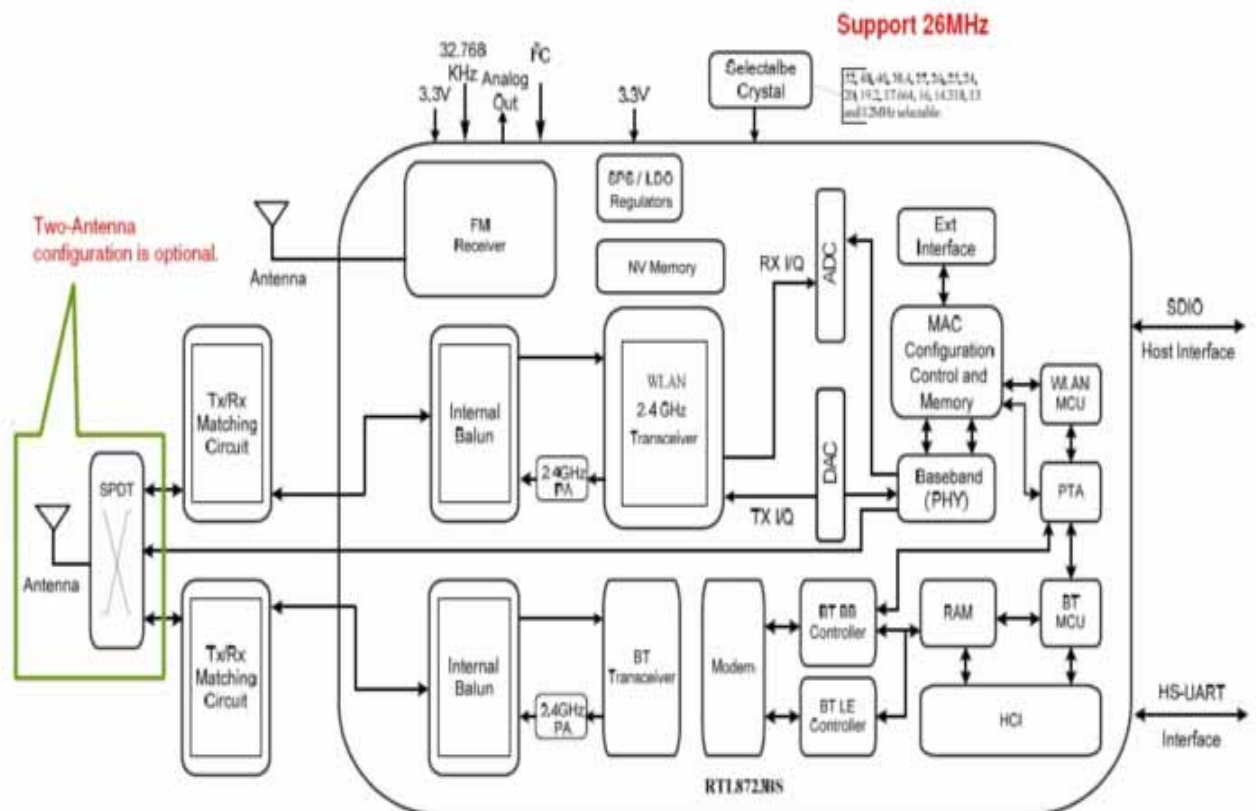
For WiFi/BT, it uses fixed path for WiFi and BT, which means one antenna assigned for WiFi and the other is assigned for BT.

Support Bluetooth adaptive power management mechanism

Full-featured software utility for easy configuration and management

RoHS compliance

Low Halogen compliance



RTL8723BS with shared antenna between WLAN and Bluetooth