

#16_GSM850_GPRS (4 Tx slots)_Bottom Face_1cm_Ch251

DUT: 322823-02

Communication System: GSM850; Frequency: 848.8 MHz; Duty Cycle: 1:2

Medium: MSL_850_130424 Medium parameters used: $f = 849$ MHz; $\sigma = 1.01$ mho/m; $\epsilon_r = 55.298$; $\rho =$

1000 kg/m³

Ambient Temperature : 22.7 °C ; Liquid Temperature : 21.7 °C

DASY5 Configuration:

- Probe: ET3DV6 - SN1787; ConvF(6.08, 6.08, 6.08); Calibrated: 2012/5/29;
- Sensor-Surface: 4mm (Mechanical Surface Detection)
- Electronics: DAE4 Sn910; Calibrated: 2012/12/5
- Phantom: ELI v5.0 Left; Type: QDOVA002AA; Serial: TP:1131
- Measurement SW: DASY52, Version 52.8 (3); SEMCAD X Version 14.6.5 (6469)

Configuration/Ch251/Area Scan (51x91x1): Measurement grid: dx=15mm, dy=15mm
 Maximum value of SAR (interpolated) = 0.420 mW/g

Configuration/Ch251/Zoom Scan (5x5x7)/Cube 0: Measurement grid: dx=8mm, dy=8mm, dz=5mm

Reference Value = 21.088 V/m; Power Drift = -0.17 dB

Peak SAR (extrapolated) = 0.573 mW/g

SAR(1 g) = 0.375 mW/g; SAR(10 g) = 0.236 mW/g

Maximum value of SAR (measured) = 0.406 mW/g

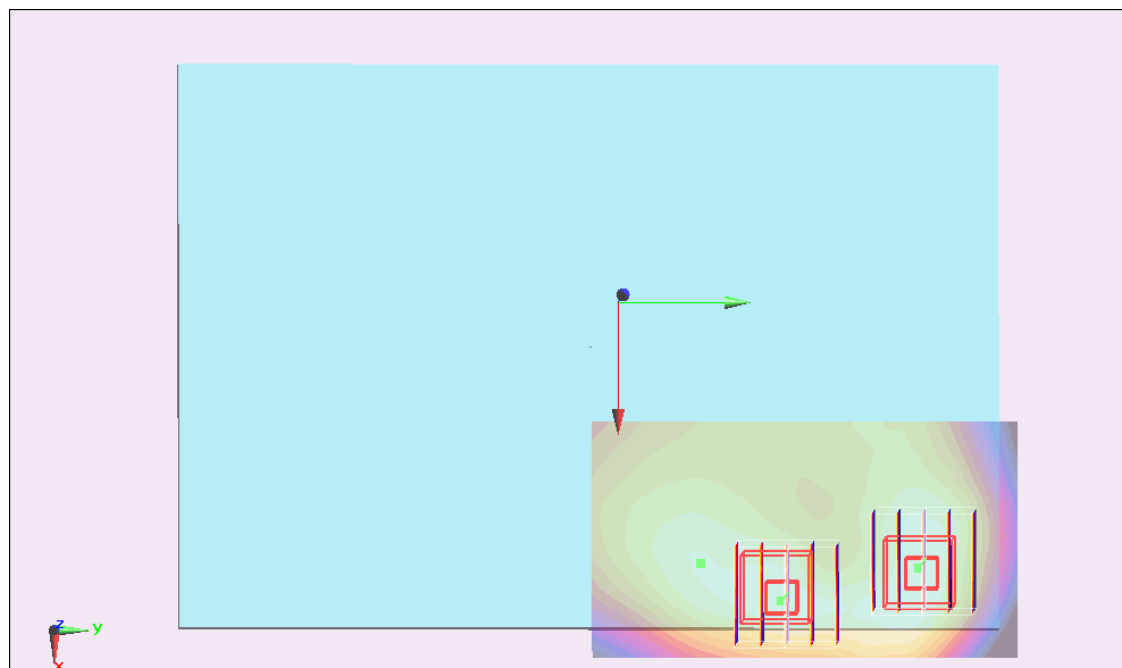
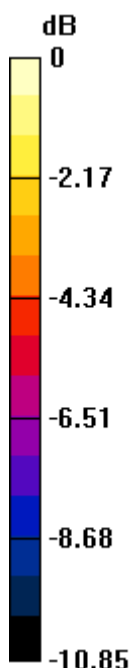
Configuration/Ch251/Zoom Scan (5x5x7)/Cube 1: Measurement grid: dx=8mm, dy=8mm, dz=5mm

Reference Value = 21.088 V/m; Power Drift = -0.17 dB

Peak SAR (extrapolated) = 0.482 mW/g

SAR(1 g) = 0.349 mW/g; SAR(10 g) = 0.241 mW/g

Maximum value of SAR (measured) = 0.379 mW/g



0 dB = 0.379 mW/g = -8.43 dB mW/g

#17_GSM850_GPRS (4 Tx slots)_Edge 1_1.2cm_Ch251

DUT: 322823-02

Communication System: GSM850; Frequency: 848.8 MHz; Duty Cycle: 1:2

Medium: MSL_850_130424 Medium parameters used: $f = 849$ MHz; $\sigma = 1.01$ mho/m; $\epsilon_r = 55.298$; $\rho =$

1000 kg/m³

Ambient Temperature : 22.7 °C ; Liquid Temperature : 21.7 °C

DASY5 Configuration:

- Probe: ET3DV6 - SN1787; ConvF(6.08, 6.08, 6.08); Calibrated: 2012/5/29;
- Sensor-Surface: 4mm (Mechanical Surface Detection)
- Electronics: DAE4 Sn910; Calibrated: 2012/12/5
- Phantom: ELI v5.0 Left; Type: QDOVA002AA; Serial: TP:1131
- Measurement SW: DASY52, Version 52.8 (3); SEMCAD X Version 14.6.5 (6469)

Configuration/Ch251/Area Scan (41x91x1): Measurement grid: dx=15mm, dy=15mm
Maximum value of SAR (interpolated) = 0.209 mW/g

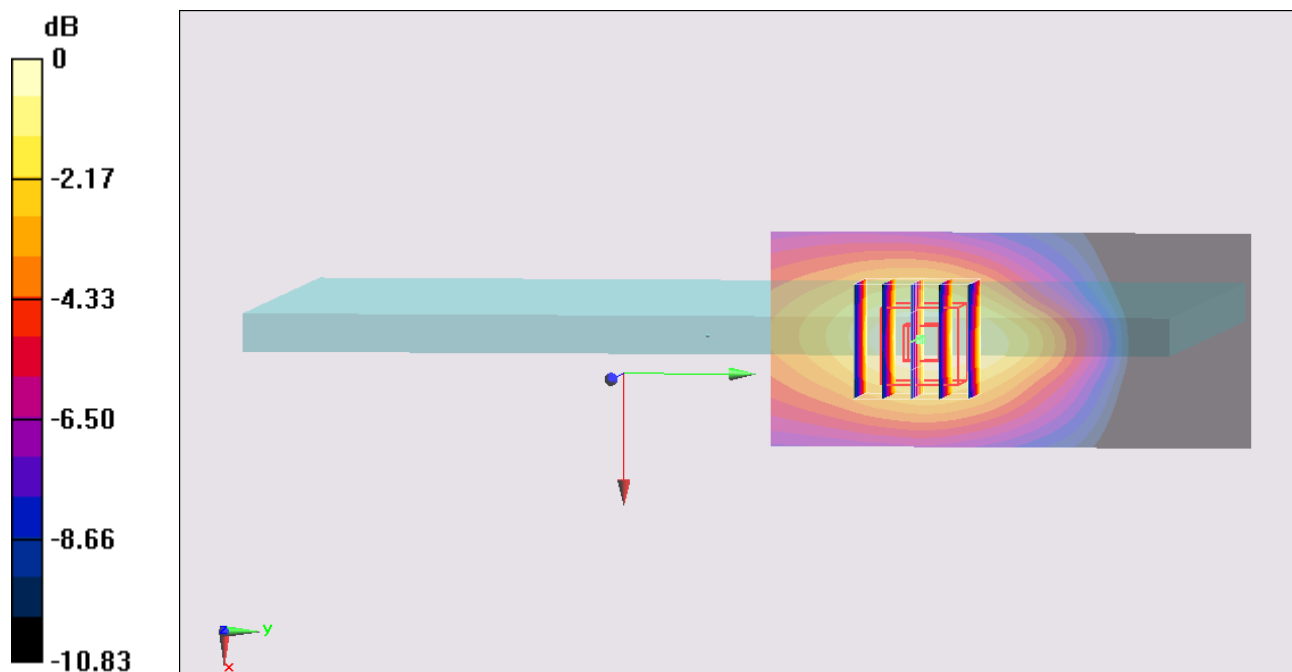
Configuration/Ch251/Zoom Scan (5x5x7)/Cube 0: Measurement grid: dx=8mm, dy=8mm, dz=5mm

Reference Value = 14.943 V/m; Power Drift = -0.04 dB

Peak SAR (extrapolated) = 0.284 mW/g

SAR(1 g) = 0.193 mW/g; SAR(10 g) = 0.126 mW/g

Maximum value of SAR (measured) = 0.208 mW/g



#40_GSM850_GPRS (4 Tx slots)_Edge 2_0cm_Ch251

DUT: 322823-02

Communication System: GSM850; Frequency: 848.8 MHz; Duty Cycle: 1:2

Medium: MSL_850_130424 Medium parameters used: $f = 849$ MHz; $\sigma = 1.01$ mho/m; $\epsilon_r = 55.298$; $\rho =$

1000 kg/m³

Ambient Temperature : 22.7 °C ; Liquid Temperature : 21.7 °C

DASY5 Configuration:

- Probe: ET3DV6 - SN1787; ConvF(6.08, 6.08, 6.08); Calibrated: 2012/5/29;
- Sensor-Surface: 4mm (Mechanical Surface Detection)
- Electronics: DAE4 Sn910; Calibrated: 2012/12/5
- Phantom: ELI v5.0 Left; Type: QDOVA002AA; Serial: TP:1131
- Measurement SW: DASY52, Version 52.8 (3); SEMCAD X Version 14.6.5 (6469)

Configuration/Ch251/Area Scan (41x131x1): Measurement grid: dx=15mm, dy=15mm
 Maximum value of SAR (interpolated) = 0.872 mW/g

Configuration/Ch251/Zoom Scan (5x5x7)/Cube 0: Measurement grid: dx=8mm, dy=8mm, dz=5mm

Reference Value = 28.334 V/m; Power Drift = -0.14 dB

Peak SAR (extrapolated) = 1.409 mW/g

SAR(1 g) = 0.630 mW/g; SAR(10 g) = 0.373 mW/g

Maximum value of SAR (measured) = 0.739 mW/g

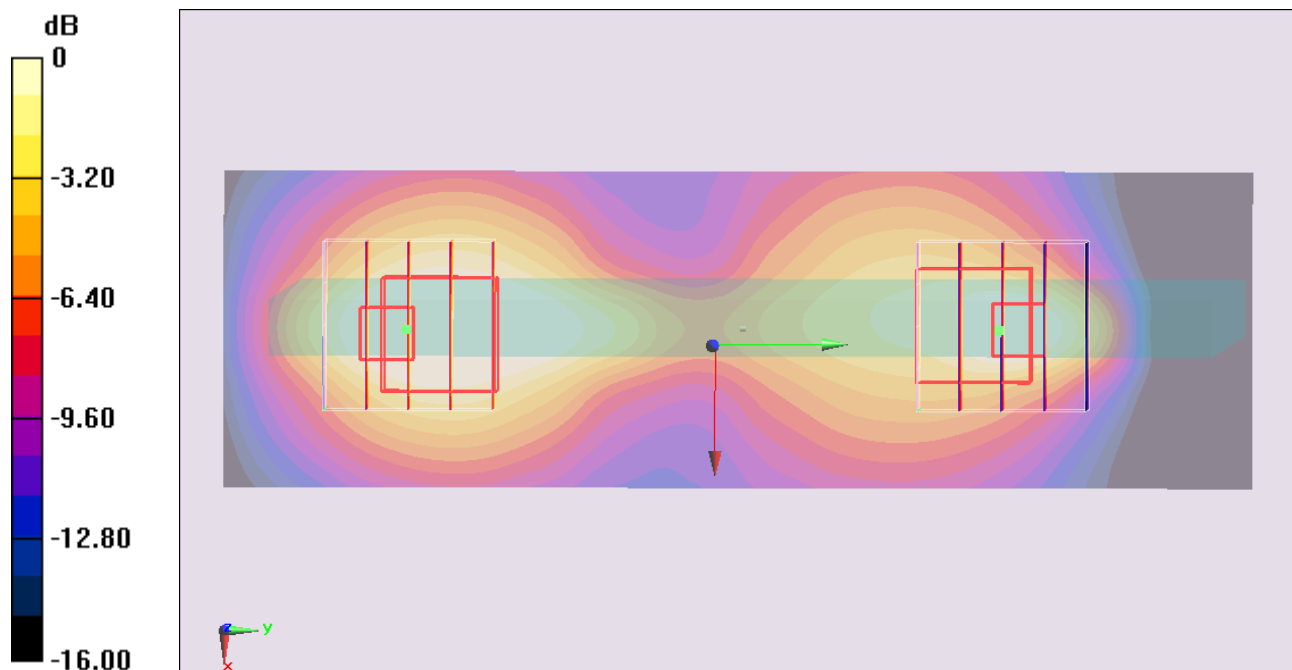
Configuration/Ch251/Zoom Scan (5x5x7)/Cube 1: Measurement grid: dx=8mm, dy=8mm, dz=5mm

Reference Value = 28.334 V/m; Power Drift = -0.14 dB

Peak SAR (extrapolated) = 1.358 mW/g

SAR(1 g) = 0.475 mW/g; SAR(10 g) = 0.235 mW/g

Maximum value of SAR (measured) = 0.587 mW/g



0 dB = 0.587 mW/g = -4.63 dB mW/g

#41_GSM850_GPRS (4 Tx slots)_Edge 2_0cm_Ch128

DUT: 322823-02

Communication System: GSM850; Frequency: 824.2 MHz; Duty Cycle: 1:2

Medium: MSL_850_130424 Medium parameters used : $f = 824.2$ MHz; $\sigma = 0.985$ mho/m; $\epsilon_r = 55.449$; ρ

$= 1000$ kg/m³

Ambient Temperature : 22.7 °C ; Liquid Temperature : 21.7 °C

DASY5 Configuration:

- Probe: ET3DV6 - SN1787; ConvF(6.08, 6.08, 6.08); Calibrated: 2012/5/29;
- Sensor-Surface: 4mm (Mechanical Surface Detection)
- Electronics: DAE4 Sn910; Calibrated: 2012/12/5
- Phantom: ELI v5.0 Left; Type: QDOVA002AA; Serial: TP:1131
- Measurement SW: DASY52, Version 52.8 (3); SEMCAD X Version 14.6.5 (6469)

Configuration/Ch128/Area Scan (41x131x1): Measurement grid: dx=15mm, dy=15mm
 Maximum value of SAR (interpolated) = 0.710 mW/g

Configuration/Ch128/Zoom Scan (5x5x7)/Cube 0: Measurement grid: dx=8mm, dy=8mm, dz=5mm

Reference Value = 27.680 V/m; Power Drift = 0.03 dB

Peak SAR (extrapolated) = 1.557 mW/g

SAR(1 g) = 0.646 mW/g; SAR(10 g) = 0.373 mW/g

Maximum value of SAR (measured) = 0.818 mW/g

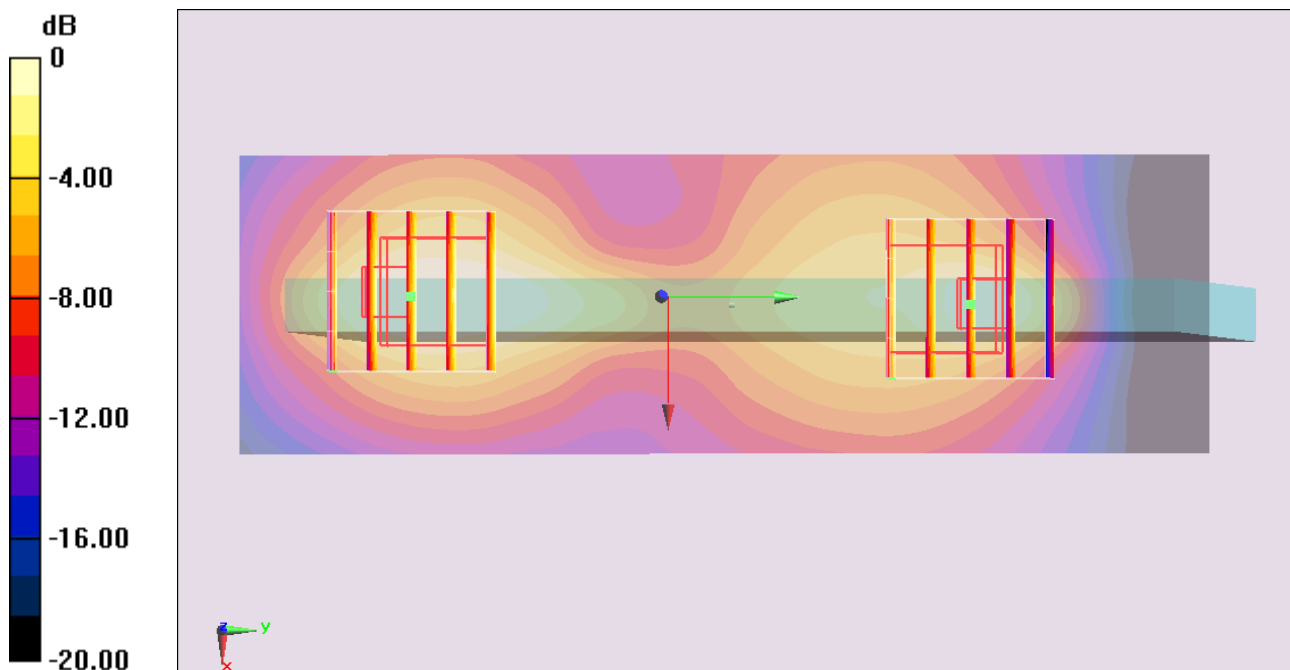
Configuration/Ch128/Zoom Scan (5x5x7)/Cube 1: Measurement grid: dx=8mm, dy=8mm, dz=5mm

Reference Value = 27.680 V/m; Power Drift = 0.03 dB

Peak SAR (extrapolated) = 1.247 mW/g

SAR(1 g) = 0.498 mW/g; SAR(10 g) = 0.265 mW/g

Maximum value of SAR (measured) = 0.614 mW/g



0 dB = 0.614 mW/g = -4.24 dB mW/g

#42_GSM850_GPRS (4 Tx slots)_Edge 2_0cm_Ch189

DUT: 322823-02

Communication System: GSM850; Frequency: 836.4 MHz; Duty Cycle: 1:2

Medium: MSL_850_130424 Medium parameters used : $f = 836.4$ MHz; $\sigma = 0.998$ mho/m; $\epsilon_r = 55.382$; ρ

$= 1000$ kg/m³

Ambient Temperature : 22.7 °C ; Liquid Temperature : 21.7 °C

DASY5 Configuration:

- Probe: ET3DV6 - SN1787; ConvF(6.08, 6.08, 6.08); Calibrated: 2012/5/29;
- Sensor-Surface: 4mm (Mechanical Surface Detection)
- Electronics: DAE4 Sn910; Calibrated: 2012/12/5
- Phantom: ELI v5.0 Left; Type: QDOVA002AA; Serial: TP:1131
- Measurement SW: DASY52, Version 52.8 (3); SEMCAD X Version 14.6.5 (6469)

Configuration/Ch189/Area Scan (41x131x1): Measurement grid: dx=15mm, dy=15mm
Maximum value of SAR (interpolated) = 1.00 mW/g

Configuration/Ch189/Zoom Scan (5x5x7)/Cube 0: Measurement grid: dx=8mm, dy=8mm, dz=5mm

Reference Value = 29.151 V/m; Power Drift = -0.03 dB

Peak SAR (extrapolated) = 1.798 mW/g

SAR(1 g) = 0.757 mW/g; SAR(10 g) = 0.432 mW/g

Maximum value of SAR (measured) = 0.958 mW/g

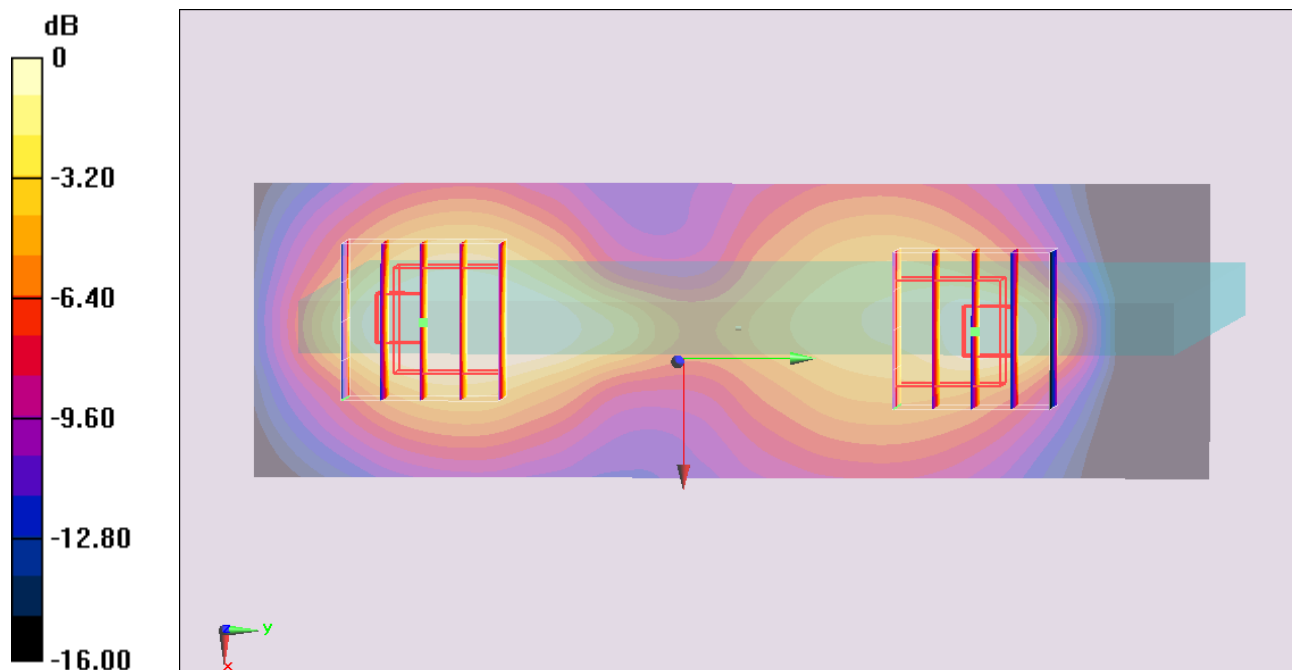
Configuration/Ch189/Zoom Scan (5x5x7)/Cube 1: Measurement grid: dx=8mm, dy=8mm, dz=5mm

Reference Value = 29.151 V/m; Power Drift = -0.03 dB

Peak SAR (extrapolated) = 1.568 mW/g

SAR(1 g) = 0.569 mW/g; SAR(10 g) = 0.296 mW/g

Maximum value of SAR (measured) = 0.692 mW/g



0 dB = 0.692 mW/g = -3.20 dB mW/g

#18_GSM850_GPRS (4 Tx slots)_Bottom Face_0cm_Ch251

DUT: 322823-02

Communication System: GSM850; Frequency: 848.8 MHz; Duty Cycle: 1:2

Medium: MSL_850_130424 Medium parameters used: $f = 849$ MHz; $\sigma = 1.01$ mho/m; $\epsilon_r = 55.298$; $\rho =$

1000 kg/m³

Ambient Temperature : 22.7 °C; Liquid Temperature : 21.7 °C

DASY5 Configuration:

- Probe: ET3DV6 - SN1787; ConvF(6.08, 6.08, 6.08); Calibrated: 2012/5/29;
- Sensor-Surface: 4mm (Mechanical Surface Detection)
- Electronics: DAE4 Sn910; Calibrated: 2012/12/5
- Phantom: ELI v5.0 Left; Type: QDOVA002AA; Serial: TP:1131
- Measurement SW: DASY52, Version 52.8 (3); SEMCAD X Version 14.6.5 (6469)

Configuration/Ch251/Area Scan (51x101x1): Measurement grid: dx=15mm, dy=15mm
Maximum value of SAR (interpolated) = 0.725 mW/g

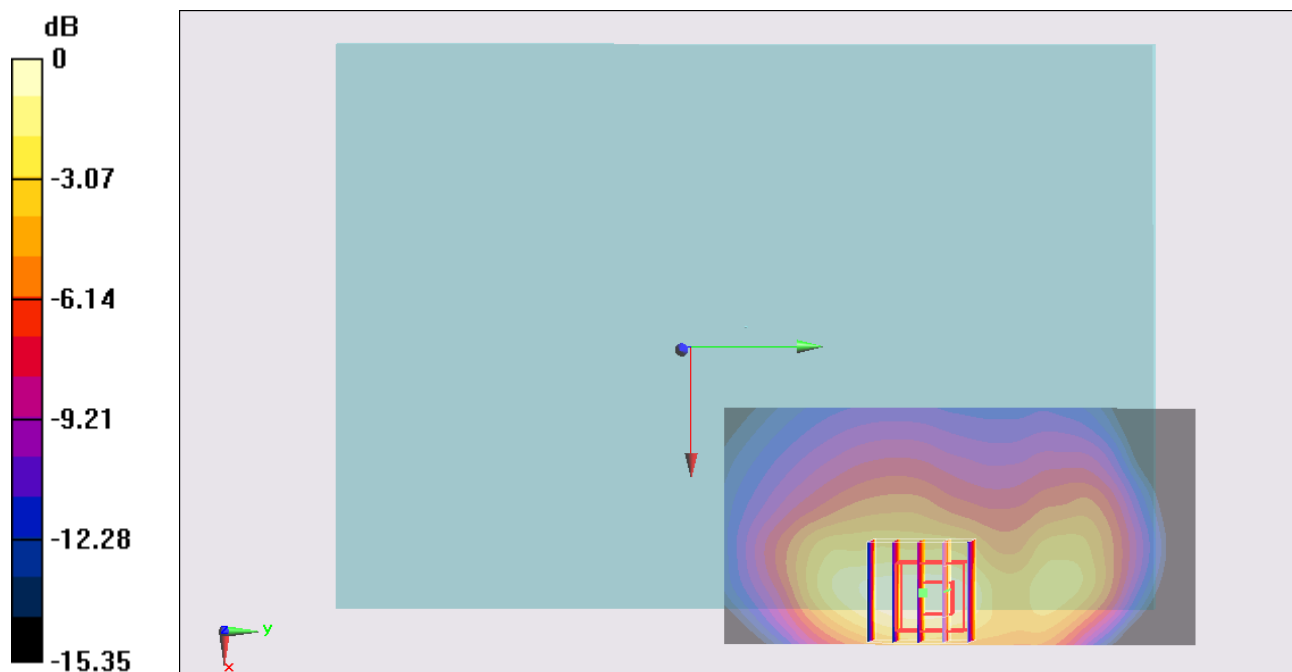
Configuration/Ch251/Zoom Scan (5x5x7)/Cube 0: Measurement grid: dx=8mm, dy=8mm, dz=5mm

Reference Value = 27.833 V/m; Power Drift = -0.04 dB

Peak SAR (extrapolated) = 1.291 mW/g

SAR(1 g) = 0.694 mW/g; SAR(10 g) = 0.383 mW/g

Maximum value of SAR (measured) = 0.739 mW/g



0 dB = 0.739 mW/g = -2.63 dB mW/g

#43_GSM850_GPRS (4 Tx slots)_Bottom Face_0cm_Ch128

DUT: 322823-02

Communication System: GSM850; Frequency: 824.2 MHz; Duty Cycle: 1:2

Medium: MSL_850_130424 Medium parameters used : $f = 824.2$ MHz; $\sigma = 0.985$ mho/m; $\epsilon_r = 55.449$; ρ

$= 1000$ kg/m³

Ambient Temperature : 22.7 °C; Liquid Temperature : 21.7 °C

DASY5 Configuration:

- Probe: ET3DV6 - SN1787; ConvF(6.08, 6.08, 6.08); Calibrated: 2012/5/29;
- Sensor-Surface: 4mm (Mechanical Surface Detection)
- Electronics: DAE4 Sn910; Calibrated: 2012/12/5
- Phantom: ELI v5.0 Left; Type: QDOVA002AA; Serial: TP:1131
- Measurement SW: DASY52, Version 52.8 (3); SEMCAD X Version 14.6.5 (6469)

Configuration/Ch128/Area Scan (51x101x1): Measurement grid: dx=15mm, dy=15mm
 Maximum value of SAR (interpolated) = 0.805 mW/g

Configuration/Ch128/Zoom Scan (5x5x7)/Cube 0: Measurement grid: dx=8mm, dy=8mm, dz=5mm

Reference Value = 29.422 V/m; Power Drift = -0.07 dB

Peak SAR (extrapolated) = 1.144 mW/g

SAR(1 g) = 0.642 mW/g; SAR(10 g) = 0.368 mW/g

Maximum value of SAR (measured) = 0.710 mW/g

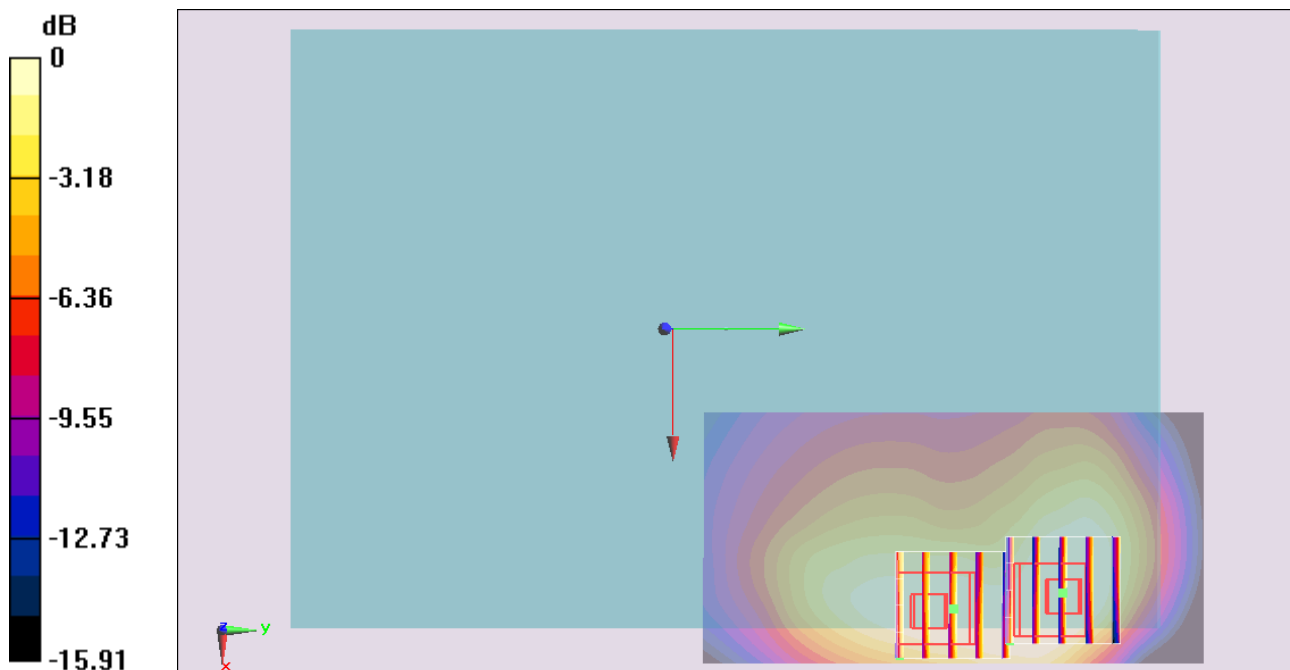
Configuration/Ch128/Zoom Scan (5x5x7)/Cube 1: Measurement grid: dx=8mm, dy=8mm, dz=5mm

Reference Value = 29.422 V/m; Power Drift = -0.07 dB

Peak SAR (extrapolated) = 1.020 mW/g

SAR(1 g) = 0.523 mW/g; SAR(10 g) = 0.290 mW/g

Maximum value of SAR (measured) = 0.581 mW/g



0 dB = 0.581 mW/g = -4.72 dB mW/g

#44_GSM850_GPRS (4 Tx slots)_Bottom Face_0cm_Ch189

DUT: 322823-02

Communication System: GSM850; Frequency: 836.4 MHz; Duty Cycle: 1:2

Medium: MSL_850_130424 Medium parameters used : $f = 836.4$ MHz; $\sigma = 0.998$ mho/m; $\epsilon_r = 55.382$; ρ

$= 1000$ kg/m³

Ambient Temperature : 22.7 °C; Liquid Temperature : 21.7 °C

DASY5 Configuration:

- Probe: ET3DV6 - SN1787; ConvF(6.08, 6.08, 6.08); Calibrated: 2012/5/29;
- Sensor-Surface: 4mm (Mechanical Surface Detection)
- Electronics: DAE4 Sn910; Calibrated: 2012/12/5
- Phantom: ELI v5.0 Left; Type: QDOVA002AA; Serial: TP:1131
- Measurement SW: DASY52, Version 52.8 (3); SEMCAD X Version 14.6.5 (6469)

Configuration/Ch189/Area Scan (51x101x1): Measurement grid: dx=15mm, dy=15mm
 Maximum value of SAR (interpolated) = 0.676 mW/g

Configuration/Ch189/Zoom Scan (5x5x7)/Cube 0: Measurement grid: dx=8mm, dy=8mm, dz=5mm

Reference Value = 27.503 V/m; Power Drift = -0.05 dB

Peak SAR (extrapolated) = 1.139 mW/g

SAR(1 g) = 0.642 mW/g; SAR(10 g) = 0.369 mW/g

Maximum value of SAR (measured) = 0.684 mW/g

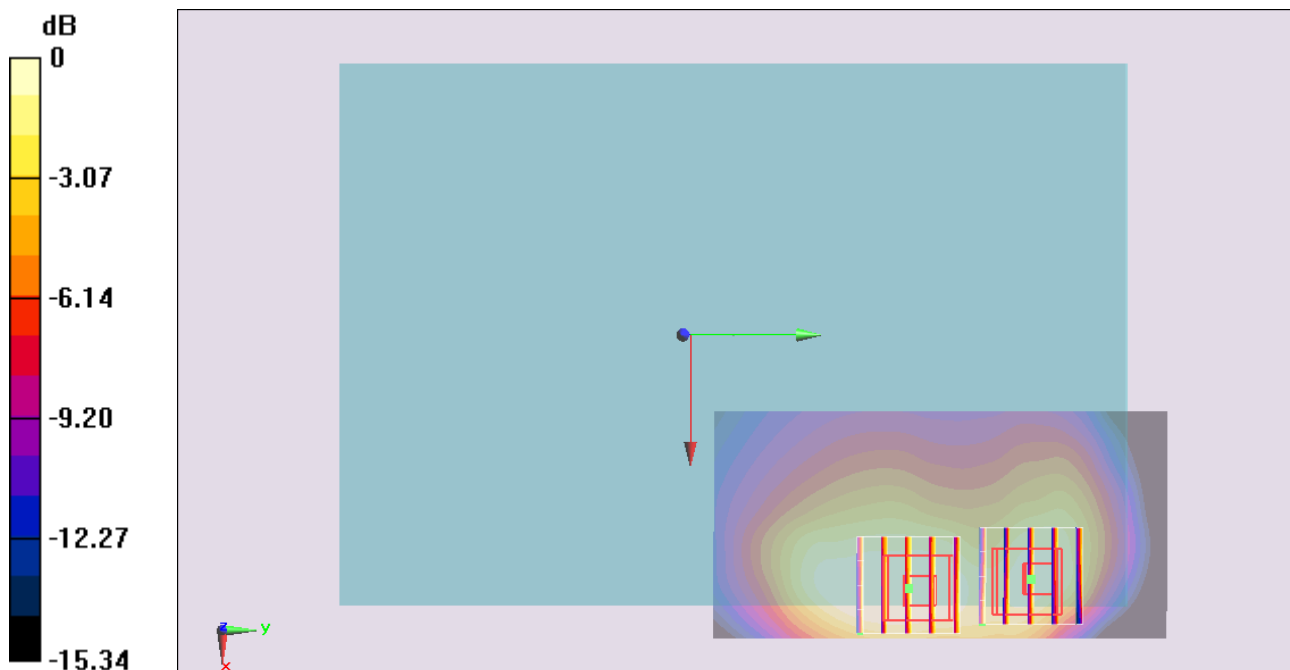
Configuration/Ch189/Zoom Scan (5x5x7)/Cube 1: Measurement grid: dx=8mm, dy=8mm, dz=5mm

Reference Value = 27.503 V/m; Power Drift = -0.05 dB

Peak SAR (extrapolated) = 0.932 mW/g

SAR(1 g) = 0.489 mW/g; SAR(10 g) = 0.274 mW/g

Maximum value of SAR (measured) = 0.523 mW/g



0 dB = 0.523 mW/g = -5.63 dB mW/g

#19_GSM850_GPRS (4 Tx slots)_Edge 1_0cm_Ch251

DUT: 322823-02

Communication System: GSM850; Frequency: 848.8 MHz; Duty Cycle: 1:2

Medium: MSL_850_130424 Medium parameters used: $f = 849$ MHz; $\sigma = 1.01$ mho/m; $\epsilon_r = 55.298$; $\rho =$

1000 kg/m³

Ambient Temperature : 22.7 °C ; Liquid Temperature : 21.7 °C

DASY5 Configuration:

- Probe: ET3DV6 - SN1787; ConvF(6.08, 6.08, 6.08); Calibrated: 2012/5/29;
- Sensor-Surface: 4mm (Mechanical Surface Detection)
- Electronics: DAE4 Sn910; Calibrated: 2012/12/5
- Phantom: ELI v5.0 Left; Type: QDOVA002AA; Serial: TP:1131
- Measurement SW: DASY52, Version 52.8 (3); SEMCAD X Version 14.6.5 (6469)

Configuration/Ch251/Area Scan (41x91x1): Measurement grid: dx=15mm, dy=15mm
 Maximum value of SAR (interpolated) = 0.572 mW/g

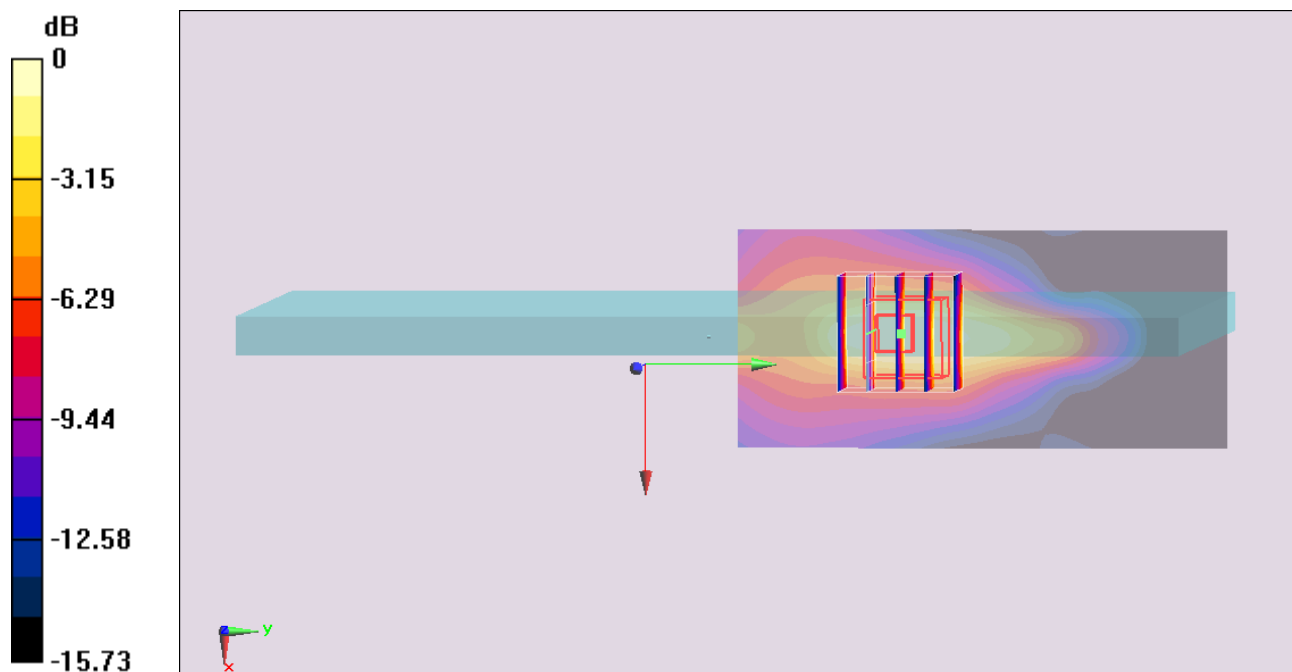
Configuration/Ch251/Zoom Scan (5x5x7)/Cube 0: Measurement grid: dx=8mm, dy=8mm, dz=5mm

Reference Value = 24.933 V/m; Power Drift = -0.01 dB

Peak SAR (extrapolated) = 1.004 mW/g

SAR(1 g) = 0.457 mW/g; SAR(10 g) = 0.224 mW/g

Maximum value of SAR (measured) = 0.552 mW/g



0 dB = 0.552 mW/g = -5.16 dB mW/g

#20_GSM850_GPRS (4 Tx slots)_Curved surface of Edge1_0cm_Ch251

DUT: 322823-02

Communication System: GSM850; Frequency: 848.8 MHz; Duty Cycle: 1:2

Medium: MSL_850_130424 Medium parameters used: $f = 849$ MHz; $\sigma = 1.01$ mho/m; $\epsilon_r = 55.298$; $\rho =$

1000 kg/m³

Ambient Temperature : 22.7 °C ; Liquid Temperature : 21.7 °C

DASY5 Configuration:

- Probe: ET3DV6 - SN1787; ConvF(6.08, 6.08, 6.08); Calibrated: 2012/5/29;
- Sensor-Surface: 4mm (Mechanical Surface Detection)
- Electronics: DAE4 Sn910; Calibrated: 2012/12/5
- Phantom: ELI v5.0 Left; Type: QDOVA002AA; Serial: TP:1131
- Measurement SW: DASY52, Version 52.8 (3); SEMCAD X Version 14.6.5 (6469)

Configuration/251/Area Scan (61x91x1): Measurement grid: dx=15mm, dy=15mm

Maximum value of SAR (interpolated) = 0.687 mW/g

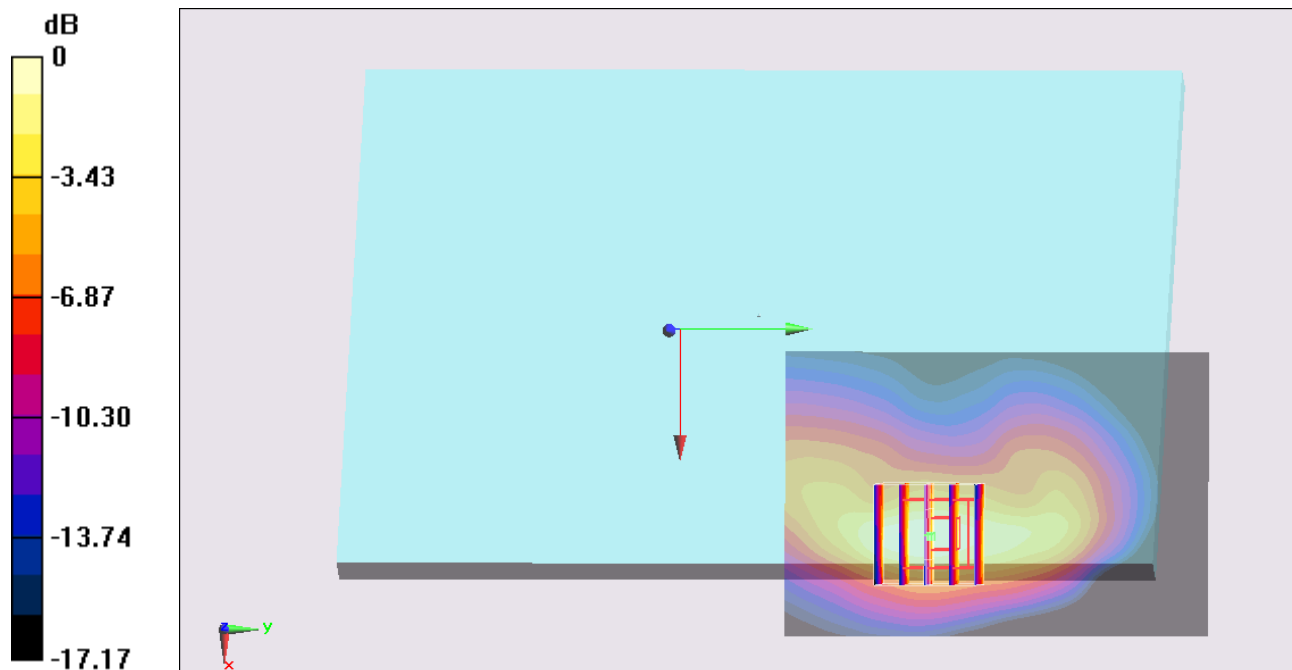
Configuration/251/Zoom Scan (5x5x7)/Cube 0: Measurement grid: dx=8mm, dy=8mm, dz=5mm

Reference Value = 27.015 V/m; Power Drift = 0.00 dB

Peak SAR (extrapolated) = 1.214 mW/g

SAR(1 g) = 0.598 mW/g; SAR(10 g) = 0.312 mW/g

Maximum value of SAR (measured) = 0.674 mW/g



0 dB = 0.674 mW/g = -3.43 dB mW/g

#01_GSM1900_GPRS (4 Tx slots)_Bottom Face_1cm_Ch512

DUT: 322823-02

Communication System: PCS; Frequency: 1850.2 MHz; Duty Cycle: 1:2

Medium: MSL_1900_130423 Medium parameters used : $f = 1850.2$ MHz; $\sigma = 1.488$ mho/m; $\epsilon_r = 53.062$;

$\rho = 1000$ kg/m³

Ambient Temperature : 22.5 °C ; Liquid Temperature : 21.5 °C

DASY5 Configuration:

- Probe: ET3DV6 - SN1787; ConvF(4.58, 4.58, 4.58); Calibrated: 2012/5/29;
- Sensor-Surface: 4mm (Mechanical Surface Detection)
- Electronics: DAE4 Sn910; Calibrated: 2012/12/5
- Phantom: ELI v4.0; Type: QDOVA001BB; Serial: TP:1127
- Measurement SW: DASY52, Version 52.8 (3); SEMCAD X Version 14.6.5 (6469)

Configuration/Ch512/Area Scan (51x91x1): Measurement grid: dx=15mm, dy=15mm
 Maximum value of SAR (interpolated) = 0.307 mW/g

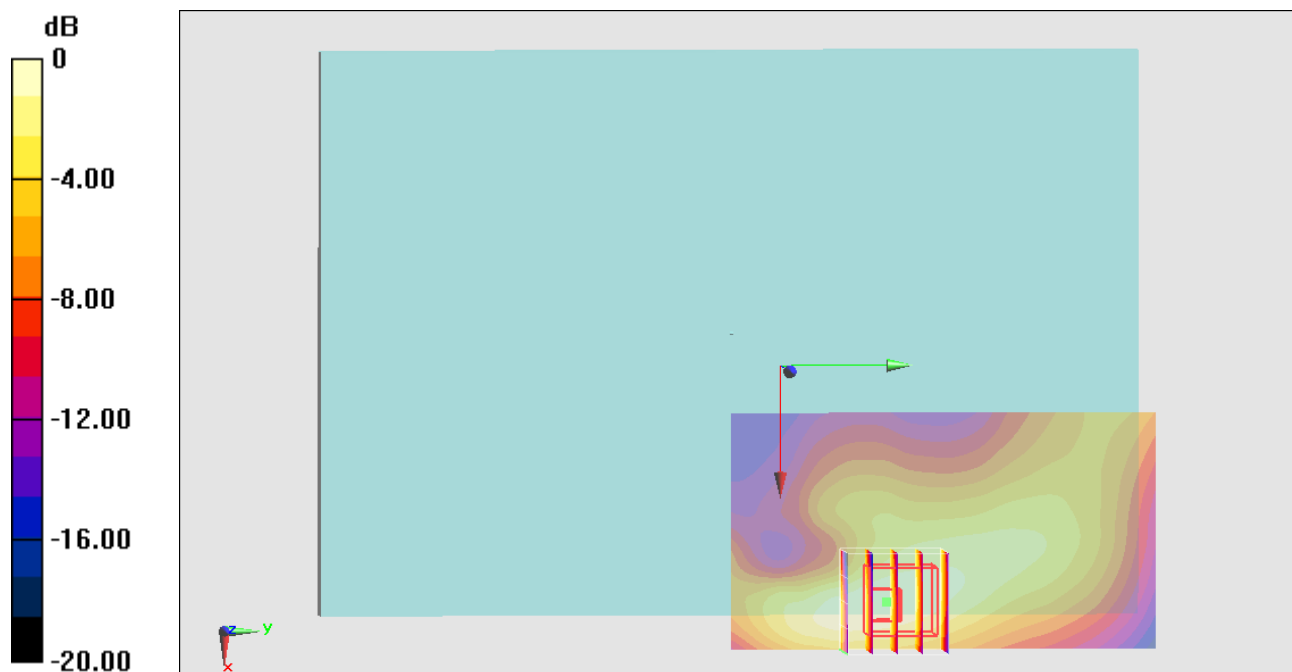
Configuration/Ch512/Zoom Scan (5x5x7)/Cube 0: Measurement grid: dx=8mm, dy=8mm, dz=5mm

Reference Value = 15.467 V/m; Power Drift = -0.07 dB

Peak SAR (extrapolated) = 0.394 mW/g

SAR(1 g) = 0.265 mW/g; SAR(10 g) = 0.159 mW/g

Maximum value of SAR (measured) = 0.297 mW/g



0 dB = 0.297 mW/g = -10.54 dB mW/g

#02_GSM1900_GPRS (4 Tx slots)_Edge 1_1.2cm_Ch512

DUT: 322823-02

Communication System: PCS; Frequency: 1850.2 MHz; Duty Cycle: 1:2

Medium: MSL_1900_130423 Medium parameters used : $f = 1850.2$ MHz; $\sigma = 1.488$ mho/m; $\epsilon_r = 53.062$;

$\rho = 1000$ kg/m³

Ambient Temperature : 22.5 °C ; Liquid Temperature : 21.5 °C

DASY5 Configuration:

- Probe: ET3DV6 - SN1787; ConvF(4.58, 4.58, 4.58); Calibrated: 2012/5/29;
- Sensor-Surface: 4mm (Mechanical Surface Detection)
- Electronics: DAE4 Sn910; Calibrated: 2012/12/5
- Phantom: ELI v4.0; Type: QDOVA001BB; Serial: TP:1127
- Measurement SW: DASY52, Version 52.8 (3); SEMCAD X Version 14.6.5 (6469)

Configuration/Ch512/Area Scan (41x91x1): Measurement grid: dx=15mm, dy=15mm
 Maximum value of SAR (interpolated) = 0.226 mW/g

Configuration/Ch512/Zoom Scan (5x5x7)/Cube 0: Measurement grid: dx=8mm, dy=8mm, dz=5mm

Reference Value = 13.352 V/m; Power Drift = -0.01 dB

Peak SAR (extrapolated) = 0.293 mW/g

SAR(1 g) = 0.198 mW/g; SAR(10 g) = 0.116 mW/g

Maximum value of SAR (measured) = 0.222 mW/g

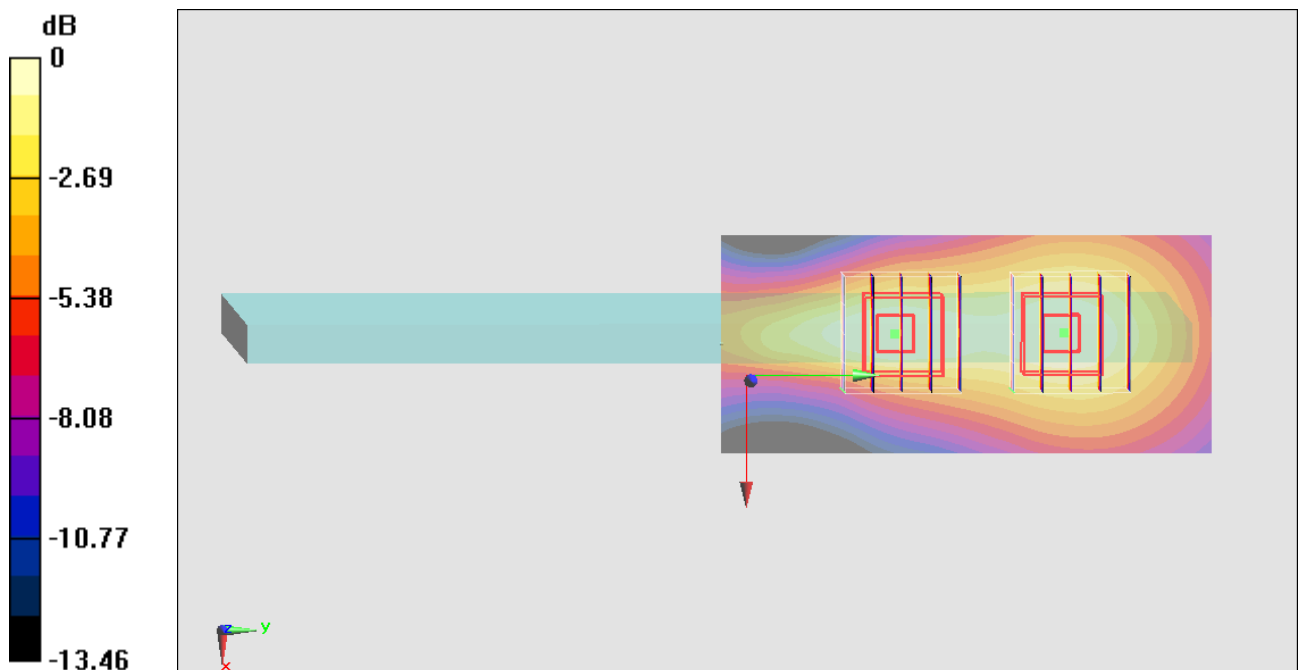
Configuration/Ch512/Zoom Scan (5x5x7)/Cube 1: Measurement grid: dx=8mm, dy=8mm, dz=5mm

Reference Value = 13.352 V/m; Power Drift = -0.01 dB

Peak SAR (extrapolated) = 0.258 mW/g

SAR(1 g) = 0.185 mW/g; SAR(10 g) = 0.119 mW/g

Maximum value of SAR (measured) = 0.200 mW/g



0 dB = 0.200 mW/g = -13.98 dB mW/g

#26_GSM1900_GPRS (4 Tx slots)_Edge2_0cm_Ch512

DUT: 322823-02

Communication System: PCS; Frequency: 1850.2 MHz; Duty Cycle: 1:2

Medium: MSL_1900_130423 Medium parameters used : $f = 1850.2$ MHz; $\sigma = 1.488$ mho/m; $\epsilon_r = 53.062$;

$\rho = 1000$ kg/m³

Ambient Temperature : 22.5 °C ; Liquid Temperature : 21.5 °C

DASY5 Configuration:

- Probe: ET3DV6 - SN1787; ConvF(4.58, 4.58, 4.58); Calibrated: 2012/5/29;
- Sensor-Surface: 4mm (Mechanical Surface Detection)
- Electronics: DAE4 Sn910; Calibrated: 2012/12/5
- Phantom: ELI v4.0; Type: QDOVA001BB; Serial: TP:1127
- Measurement SW: DASY52, Version 52.8 (3); SEMCAD X Version 14.6.5 (6469)

Configuration/Ch512/Area Scan (41x141x1): Measurement grid: dx=15mm, dy=15mm
 Maximum value of SAR (interpolated) = 0.451 mW/g

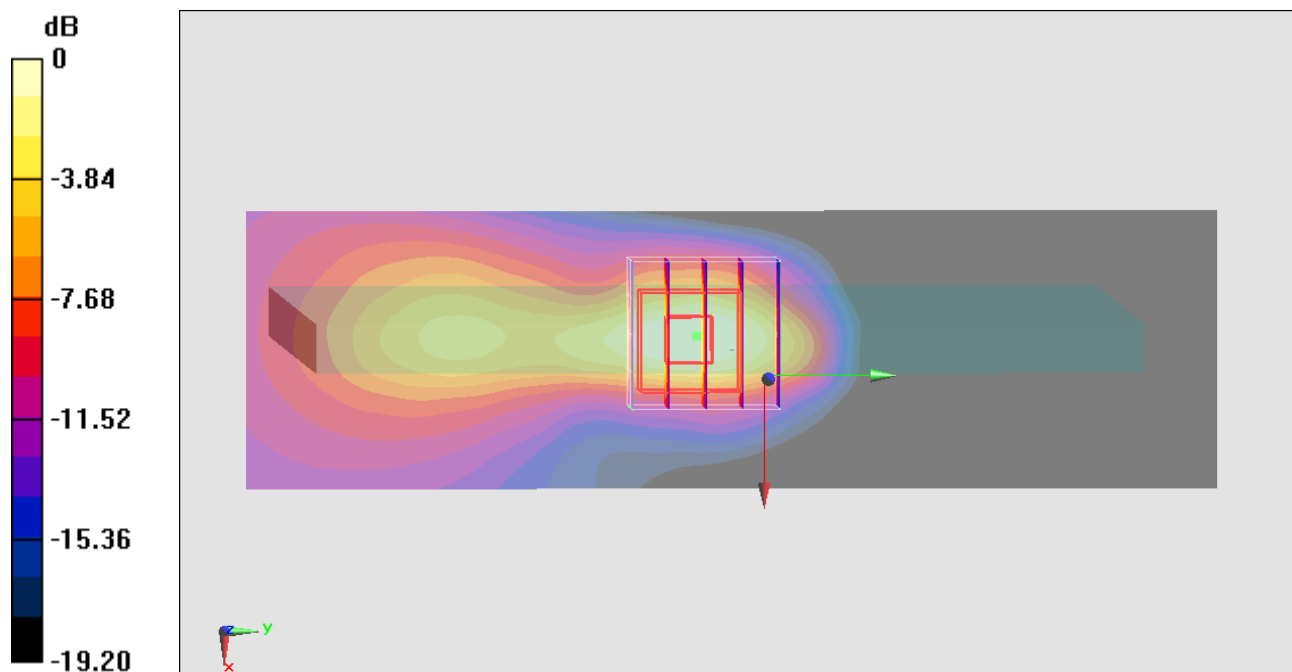
Configuration/Ch512/Zoom Scan (5x5x7)/Cube 0: Measurement grid: dx=8mm, dy=8mm, dz=5mm

Reference Value = 17.815 V/m; Power Drift = -0.04 dB

Peak SAR (extrapolated) = 0.567 mW/g

SAR(1 g) = 0.347 mW/g; SAR(10 g) = 0.174 mW/g

Maximum value of SAR (measured) = 0.387 mW/g



0 dB = 0.387 mW/g = -8.25 dB mW/g

#03_GSM1900_GPRS (4 Tx slots)_Bottom Face_0cm_Ch512

DUT: 322823-02

Communication System: PCS; Frequency: 1850.2 MHz; Duty Cycle: 1:2

Medium: MSL_1900_130423 Medium parameters used : $f = 1850.2$ MHz; $\sigma = 1.488$ mho/m; $\epsilon_r = 53.062$;

$\rho = 1000$ kg/m³

Ambient Temperature : 22.5 °C ; Liquid Temperature : 21.5 °C

DASY5 Configuration:

- Probe: ET3DV6 - SN1787; ConvF(4.58, 4.58, 4.58); Calibrated: 2012/5/29;
- Sensor-Surface: 4mm (Mechanical Surface Detection)
- Electronics: DAE4 Sn910; Calibrated: 2012/12/5
- Phantom: ELI v4.0; Type: QDOVA001BB; Serial: TP:1127
- Measurement SW: DASY52, Version 52.8 (3); SEMCAD X Version 14.6.5 (6469)

Configuration/Ch512/Area Scan (51x91x1): Measurement grid: dx=15mm, dy=15mm
 Maximum value of SAR (interpolated) = 0.866 mW/g

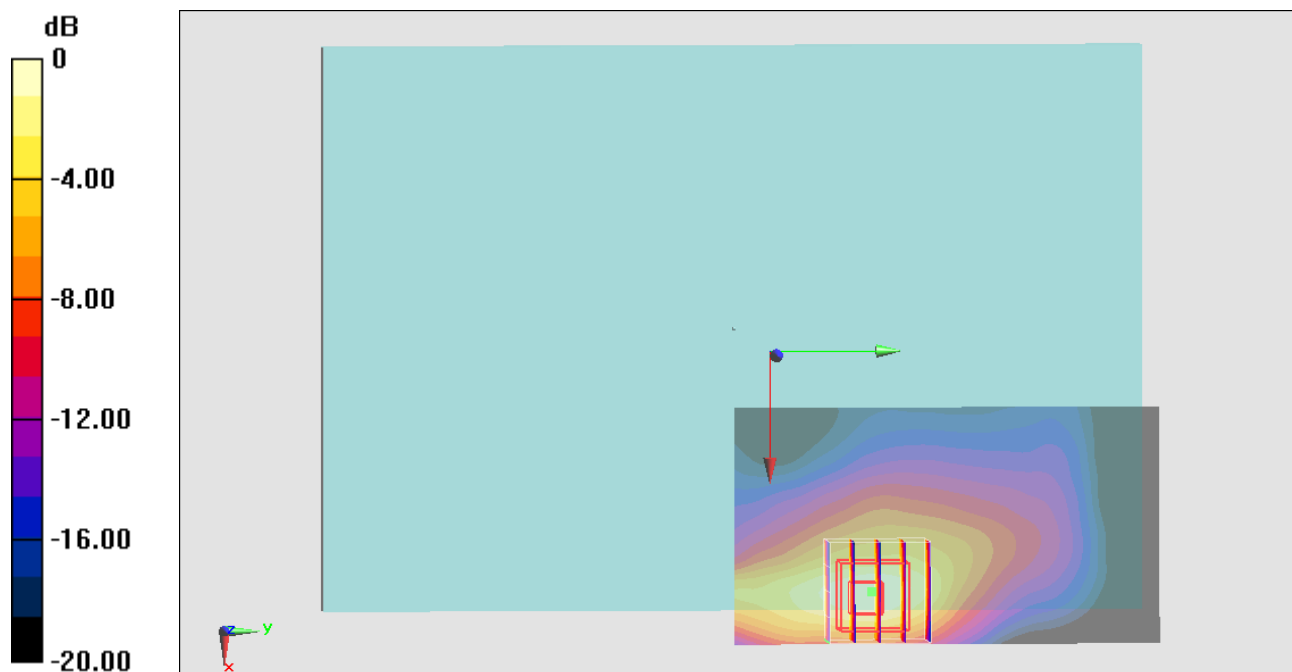
Configuration/Ch512/Zoom Scan (5x5x7)/Cube 0: Measurement grid: dx=8mm, dy=8mm, dz=5mm

Reference Value = 25.616 V/m; Power Drift = -0.12 dB

Peak SAR (extrapolated) = 1.286 mW/g

SAR(1 g) = 0.718 mW/g; SAR(10 g) = 0.355 mW/g

Maximum value of SAR (measured) = 0.782 mW/g



0 dB = 0.782 mW/g = -2.14 dB mW/g

#27_GSM1900_GPRS (4 Tx slots)_Bottom Face_0cm_Ch661

DUT: 322823-02

Communication System: PCS; Frequency: 1880 MHz; Duty Cycle: 1:2

Medium: MSL_1900_130423 Medium parameters used: $f = 1880$ MHz; $\sigma = 1.513$ mho/m; $\epsilon_r = 52.954$; ρ

$= 1000$ kg/m³

Ambient Temperature : 22.5 °C; Liquid Temperature : 21.5 °C

DASY5 Configuration:

- Probe: ET3DV6 - SN1787; ConvF(4.58, 4.58, 4.58); Calibrated: 2012/5/29;
- Sensor-Surface: 4mm (Mechanical Surface Detection)
- Electronics: DAE4 Sn910; Calibrated: 2012/12/5
- Phantom: ELI v4.0; Type: QDOVA001BB; Serial: TP:1127
- Measurement SW: DASY52, Version 52.8 (3); SEMCAD X Version 14.6.5 (6469)

Configuration/Ch661/Area Scan (51x91x1): Measurement grid: dx=15mm, dy=15mm
 Maximum value of SAR (interpolated) = 0.830 mW/g

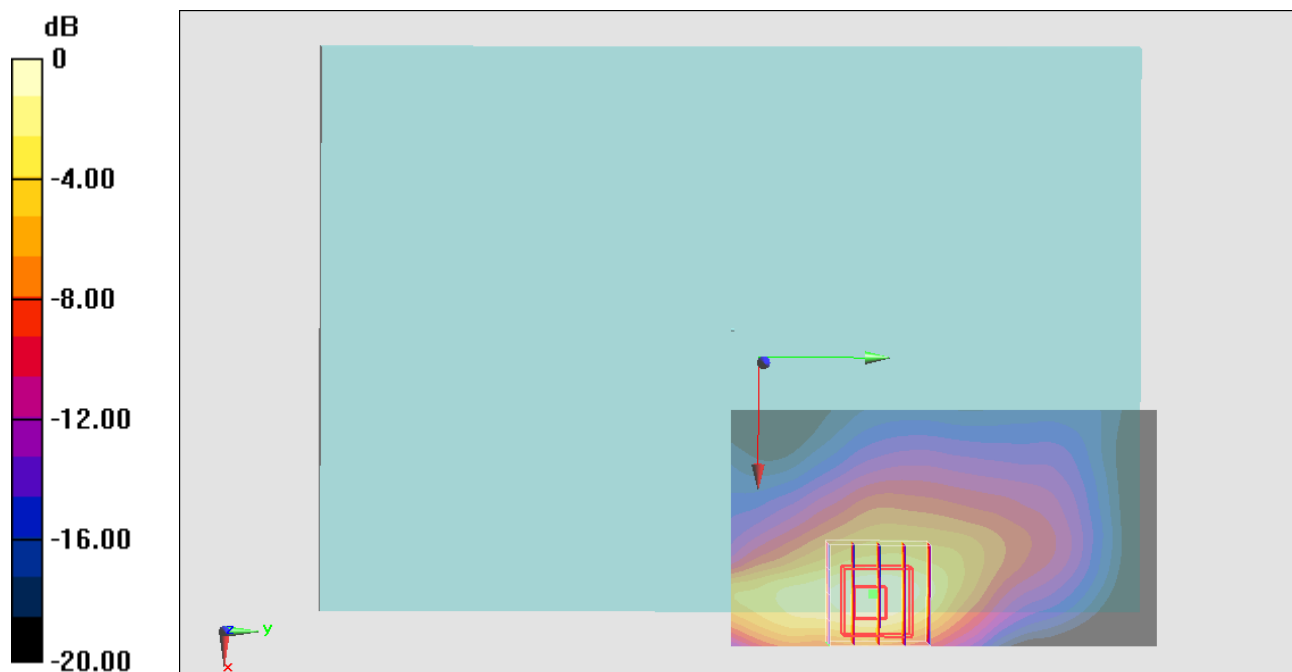
Configuration/Ch661/Zoom Scan (5x5x7)/Cube 0: Measurement grid: dx=8mm, dy=8mm, dz=5mm

Reference Value = 24.468 V/m; Power Drift = -0.10 dB

Peak SAR (extrapolated) = 1.218 mW/g

SAR(1 g) = 0.679 mW/g; SAR(10 g) = 0.338 mW/g

Maximum value of SAR (measured) = 0.715 mW/g



0 dB = 0.715 mW/g = -2.91 dB mW/g

#28_GSM1900_GPRS (4 Tx slots)_Bottom Face_0cm_Ch810

DUT: 322823-02

Communication System: PCS; Frequency: 1909.8 MHz; Duty Cycle: 1:2

Medium: MSL_1900_130423 Medium parameters used: $f = 1910$ MHz; $\sigma = 1.54$ mho/m; $\epsilon_r = 52.817$; $\rho =$

1000 kg/m³

Ambient Temperature : 22.5 °C; Liquid Temperature : 21.5 °C

DASY5 Configuration:

- Probe: ET3DV6 - SN1787; ConvF(4.58, 4.58, 4.58); Calibrated: 2012/5/29;
- Sensor-Surface: 4mm (Mechanical Surface Detection)
- Electronics: DAE4 Sn910; Calibrated: 2012/12/5
- Phantom: ELI v4.0; Type: QDOVA001BB; Serial: TP:1127
- Measurement SW: DASY52, Version 52.8 (3); SEMCAD X Version 14.6.5 (6469)

Configuration/Ch810/Area Scan (51x91x1): Measurement grid: dx=15mm, dy=15mm
 Maximum value of SAR (interpolated) = 0.845 mW/g

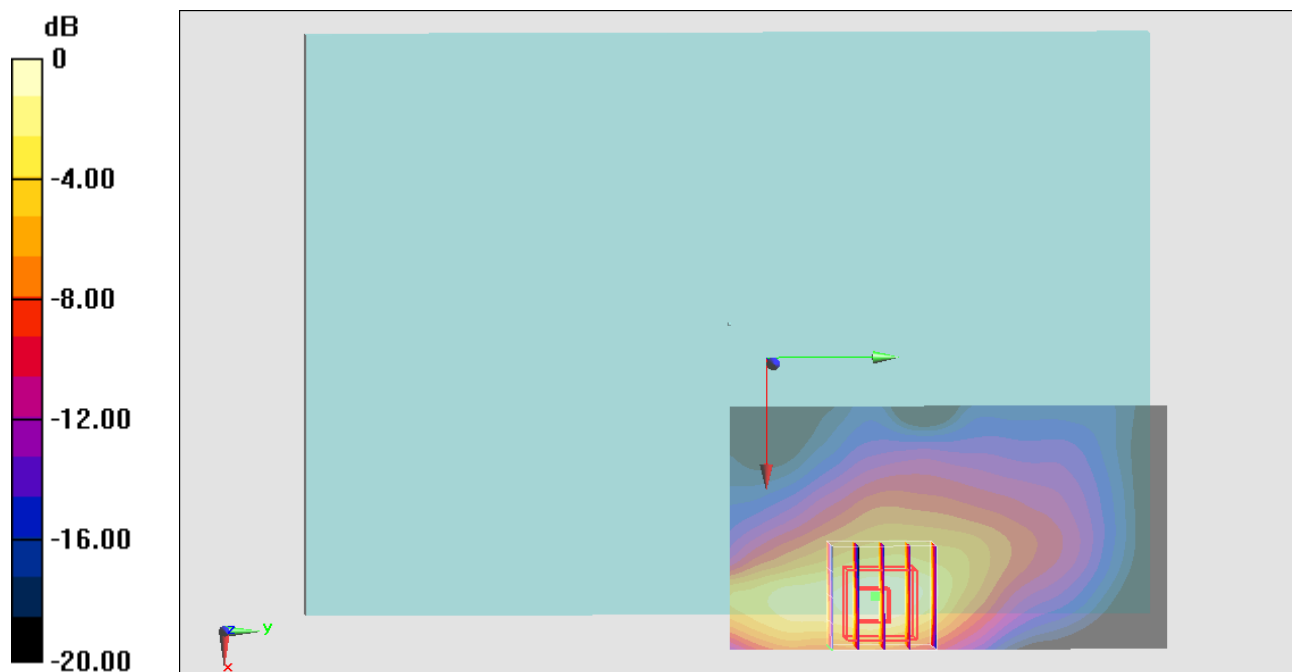
Configuration/Ch810/Zoom Scan (5x5x7)/Cube 0: Measurement grid: dx=8mm, dy=8mm, dz=5mm

Reference Value = 24.649 V/m; Power Drift = -0.13 dB

Peak SAR (extrapolated) = 1.260 mW/g

SAR(1 g) = 0.692 mW/g; SAR(10 g) = 0.340 mW/g

Maximum value of SAR (measured) = 0.729 mW/g



0 dB = 0.729 mW/g = -2.75 dB mW/g

#04_GSM1900_GPRS (4 Tx slots)_Edge 1_0cm_Ch512

DUT: 322823-02

Communication System: PCS; Frequency: 1850.2 MHz; Duty Cycle: 1:2

Medium: MSL_1900_130423 Medium parameters used : $f = 1850.2$ MHz; $\sigma = 1.488$ mho/m; $\epsilon_r = 53.062$;

$\rho = 1000$ kg/m³

Ambient Temperature : 22.5 °C ; Liquid Temperature : 21.5 °C

DASY5 Configuration:

- Probe: ET3DV6 - SN1787; ConvF(4.58, 4.58, 4.58); Calibrated: 2012/5/29;
- Sensor-Surface: 4mm (Mechanical Surface Detection)
- Electronics: DAE4 Sn910; Calibrated: 2012/12/5
- Phantom: ELI v4.0; Type: QDOVA001BB; Serial: TP:1127
- Measurement SW: DASY52, Version 52.8 (3); SEMCAD X Version 14.6.5 (6469)

Configuration/Ch512/Area Scan (41x91x1): Measurement grid: dx=15mm, dy=15mm
 Maximum value of SAR (interpolated) = 0.751 mW/g

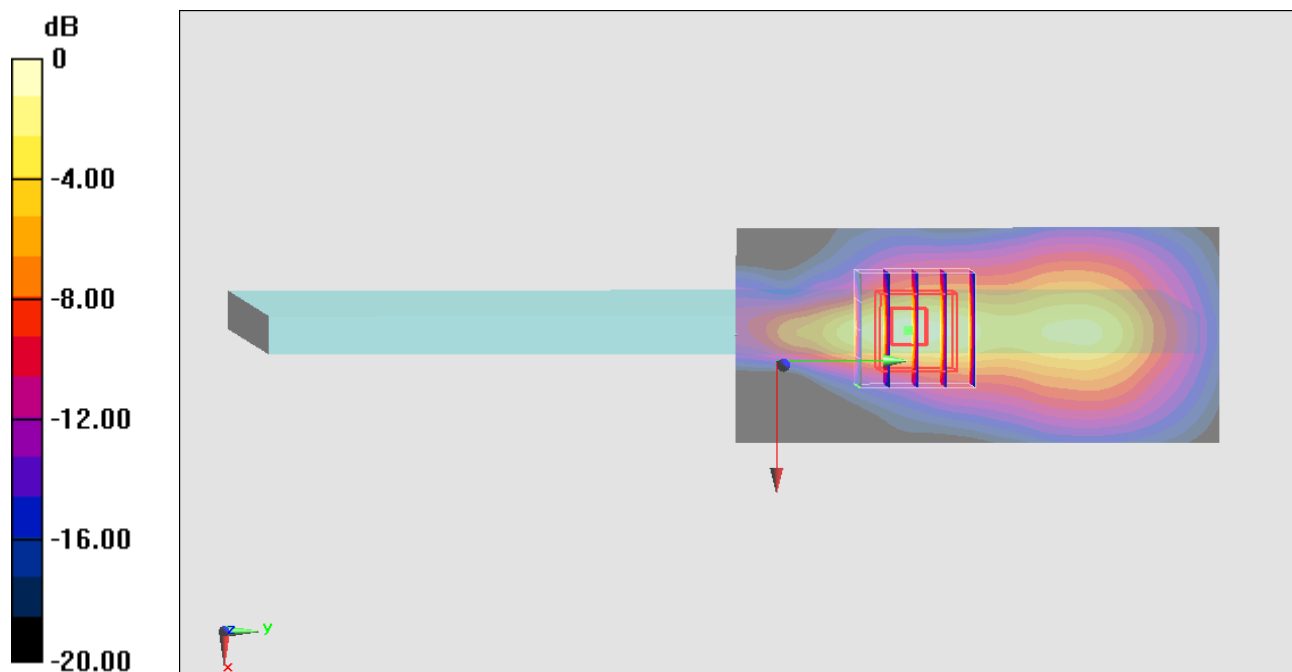
Configuration/Ch512/Zoom Scan (5x5x7)/Cube 0: Measurement grid: dx=8mm, dy=8mm, dz=5mm

Reference Value = 25.073 V/m; Power Drift = 0.02 dB

Peak SAR (extrapolated) = 1.151 mW/g

SAR(1 g) = 0.646 mW/g; SAR(10 g) = 0.301 mW/g

Maximum value of SAR (measured) = 0.797 mW/g



0 dB = 0.797 mW/g = -1.97 dB mW/g

#29_GSM1900_GPRS (4 Tx slots)_Edge 1_0cm_Ch661

DUT: 322823-02

Communication System: PCS; Frequency: 1880 MHz; Duty Cycle: 1:2

Medium: MSL_1900_130423 Medium parameters used: $f = 1880$ MHz; $\sigma = 1.513$ mho/m; $\epsilon_r = 52.954$; ρ

$= 1000$ kg/m³

Ambient Temperature : 22.5 °C; Liquid Temperature : 21.5 °C

DASY5 Configuration:

- Probe: ET3DV6 - SN1787; ConvF(4.58, 4.58, 4.58); Calibrated: 2012/5/29;
- Sensor-Surface: 4mm (Mechanical Surface Detection)
- Electronics: DAE4 Sn910; Calibrated: 2012/12/5
- Phantom: ELI v4.0; Type: QDOVA001BB; Serial: TP:1127
- Measurement SW: DASY52, Version 52.8 (3); SEMCAD X Version 14.6.5 (6469)

Configuration/Ch661/Area Scan (41x91x1): Measurement grid: dx=15mm, dy=15mm
 Maximum value of SAR (interpolated) = 0.865 mW/g

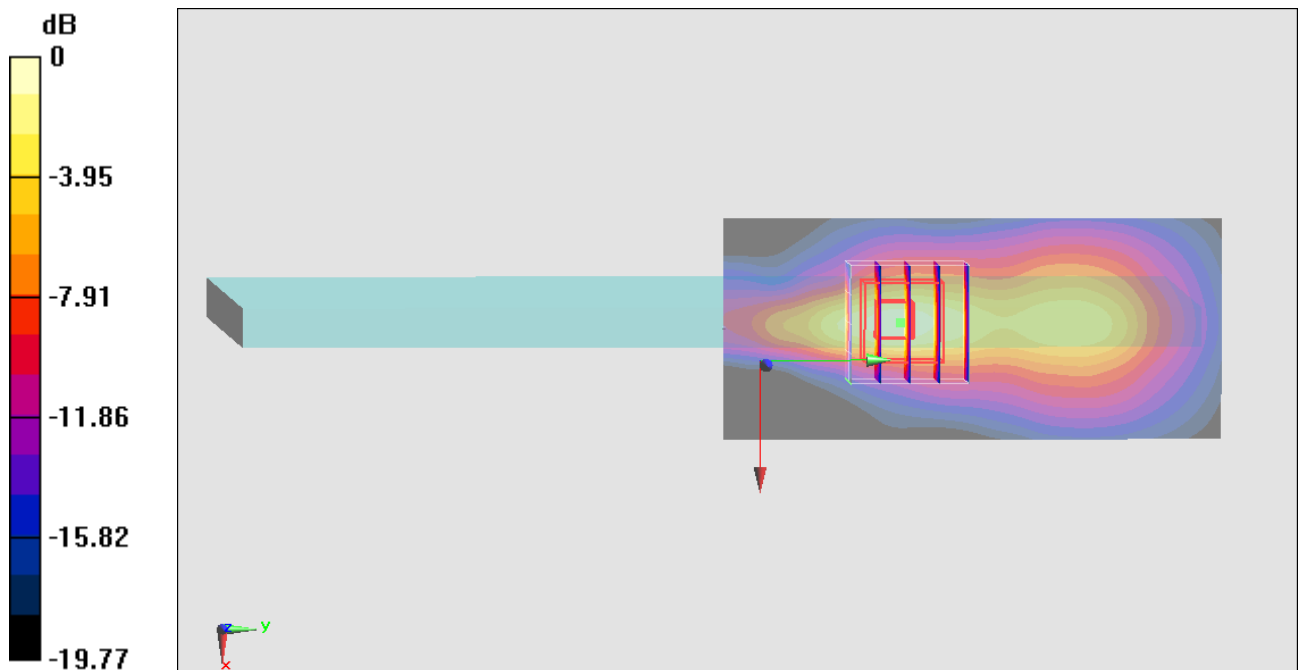
Configuration/Ch661/Zoom Scan (5x5x7)/Cube 0: Measurement grid: dx=8mm, dy=8mm, dz=5mm

Reference Value = 26.091 V/m; Power Drift = 0.10 dB

Peak SAR (extrapolated) = 1.354 mW/g

SAR(1 g) = 0.747 mW/g; SAR(10 g) = 0.347 mW/g

Maximum value of SAR (measured) = 0.881 mW/g



0 dB = 0.881 mW/g = -1.10 dB mW/g

#30_GSM1900_GPRS (4 Tx slots)_Edge 1_0cm_Ch810

DUT: 322823-02

Communication System: PCS; Frequency: 1909.8 MHz; Duty Cycle: 1:2

Medium: MSL_1900_130423 Medium parameters used: $f = 1910$ MHz; $\sigma = 1.54$ mho/m; $\epsilon_r = 52.817$; $\rho =$

1000 kg/m³

Ambient Temperature : 22.5 °C; Liquid Temperature : 21.5 °C

DASY5 Configuration:

- Probe: ET3DV6 - SN1787; ConvF(4.58, 4.58, 4.58); Calibrated: 2012/5/29;
- Sensor-Surface: 4mm (Mechanical Surface Detection)
- Electronics: DAE4 Sn910; Calibrated: 2012/12/5
- Phantom: ELI v4.0; Type: QDOVA001BB; Serial: TP:1127
- Measurement SW: DASY52, Version 52.8 (3); SEMCAD X Version 14.6.5 (6469)

Configuration/Ch810/Area Scan (41x91x1): Measurement grid: dx=15mm, dy=15mm
 Maximum value of SAR (interpolated) = 0.913 mW/g

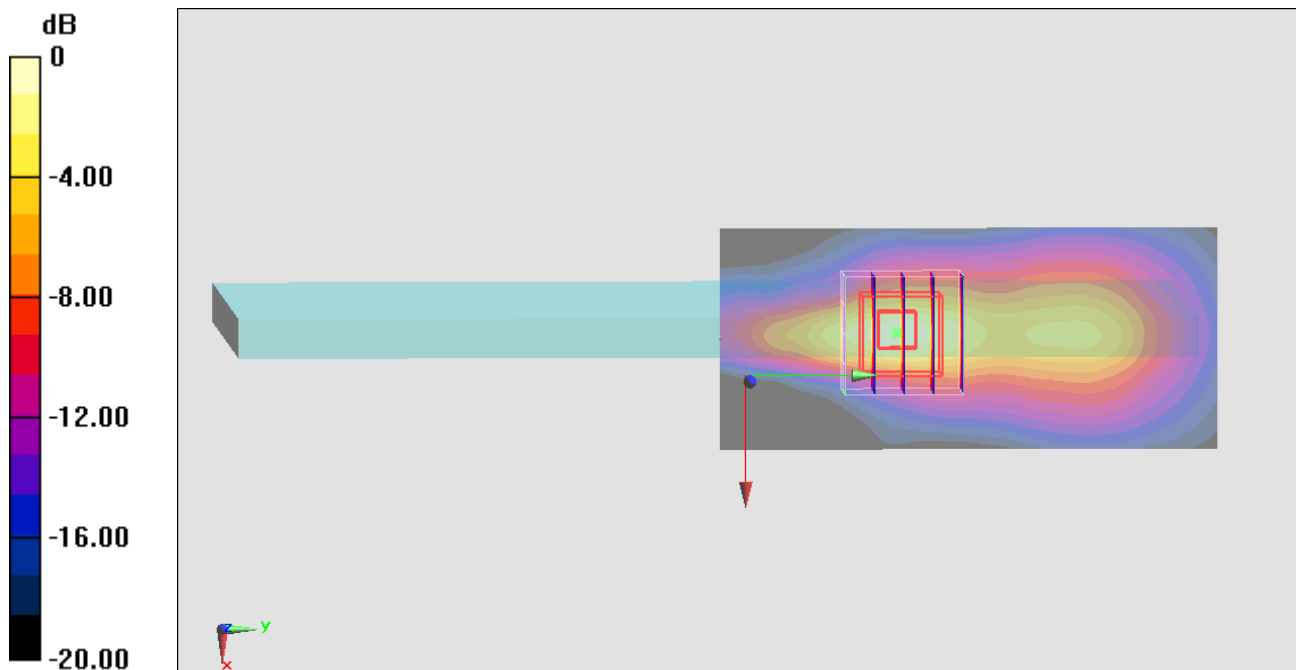
Configuration/Ch810/Zoom Scan (5x5x7)/Cube 0: Measurement grid: dx=8mm, dy=8mm, dz=5mm

Reference Value = 26.956 V/m; Power Drift = -0.00 dB

Peak SAR (extrapolated) = 1.426 mW/g

SAR(1 g) = 0.780 mW/g; SAR(10 g) = 0.359 mW/g

Maximum value of SAR (measured) = 0.950 mW/g



0 dB = 0.950 mW/g = -0.45 dB mW/g

#05_GSM1900_GPRS (4 Tx slots)_Curved surface of Edge1_0cm_Ch512

DUT: 322823-02

Communication System: PCS; Frequency: 1850.2 MHz; Duty Cycle: 1:2

Medium: MSL_1900_130423 Medium parameters used : $f = 1850.2$ MHz; $\sigma = 1.488$ mho/m; $\epsilon_r = 53.062$;

$\rho = 1000$ kg/m³

Ambient Temperature : 22.5 °C ; Liquid Temperature : 21.5 °C

DASY5 Configuration:

- Probe: ET3DV6 - SN1787; ConvF(4.58, 4.58, 4.58); Calibrated: 2012/5/29;
- Sensor-Surface: 4mm (Mechanical Surface Detection)
- Electronics: DAE4 Sn910; Calibrated: 2012/12/5
- Phantom: ELI v4.0; Type: QDOVA001BB; Serial: TP:1127
- Measurement SW: DASY52, Version 52.8 (3); SEMCAD X Version 14.6.5 (6469)

Configuration/Ch512/Area Scan (61x91x1): Measurement grid: dx=15mm, dy=15mm
 Maximum value of SAR (interpolated) = 1.05 mW/g

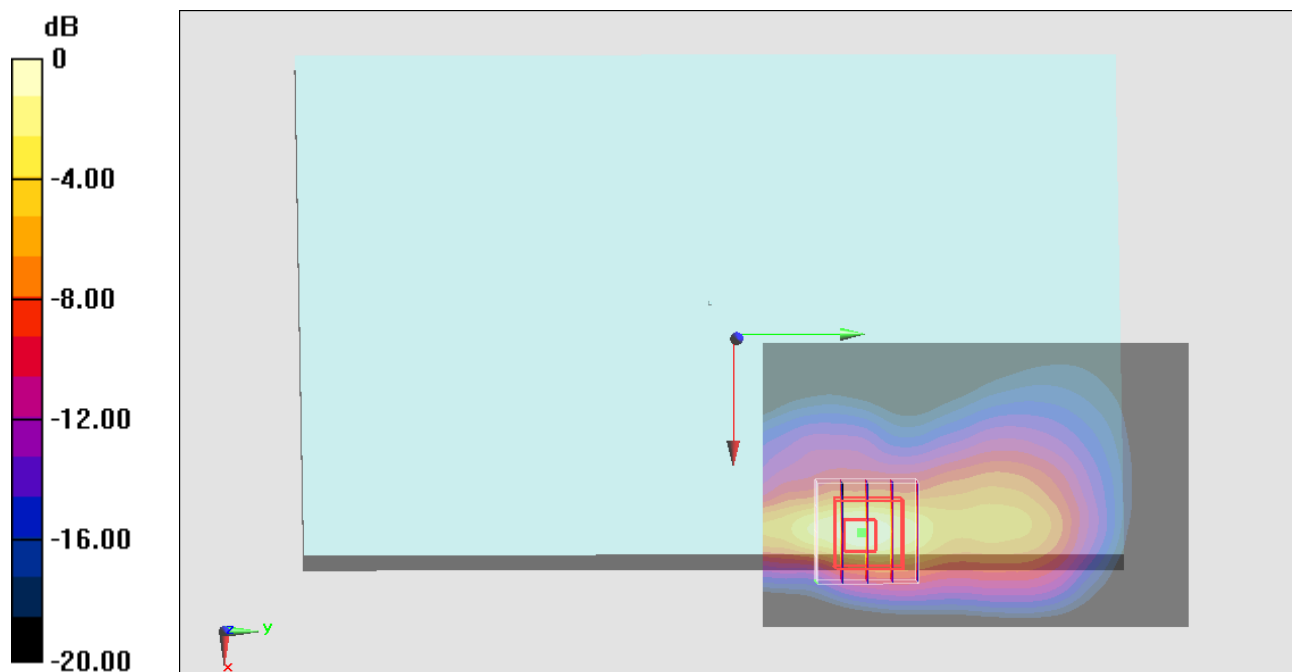
Configuration/Ch512/Zoom Scan (5x5x7)/Cube 0: Measurement grid: dx=8mm, dy=8mm, dz=5mm

Reference Value = 28.745 V/m; Power Drift = -0.12 dB

Peak SAR (extrapolated) = 1.484 mW/g

SAR(1 g) = 0.815 mW/g; SAR(10 g) = 0.372 mW/g

Maximum value of SAR (measured) = 0.986 mW/g



0 dB = 0.986 mW/g = -0.12 dB mW/g

#31_GSM1900_GPRS (4 Tx slots)_Curved surface of Edge1_0cm_Ch661

DUT: 322823-02

Communication System: PCS; Frequency: 1880 MHz; Duty Cycle: 1:2

Medium: MSL_1900_130423 Medium parameters used: $f = 1880$ MHz; $\sigma = 1.513$ mho/m; $\epsilon_r = 52.954$; ρ

$= 1000$ kg/m³

Ambient Temperature : 22.5 °C; Liquid Temperature : 21.5 °C

DASY5 Configuration:

- Probe: ET3DV6 - SN1787; ConvF(4.58, 4.58, 4.58); Calibrated: 2012/5/29;
- Sensor-Surface: 4mm (Mechanical Surface Detection)
- Electronics: DAE4 Sn910; Calibrated: 2012/12/5
- Phantom: ELI v4.0; Type: QDOVA001BB; Serial: TP:1127
- Measurement SW: DASY52, Version 52.8 (3); SEMCAD X Version 14.6.5 (6469)

Configuration/Ch661/Area Scan (61x91x1): Measurement grid: dx=15mm, dy=15mm

Maximum value of SAR (interpolated) = 1.07 mW/g

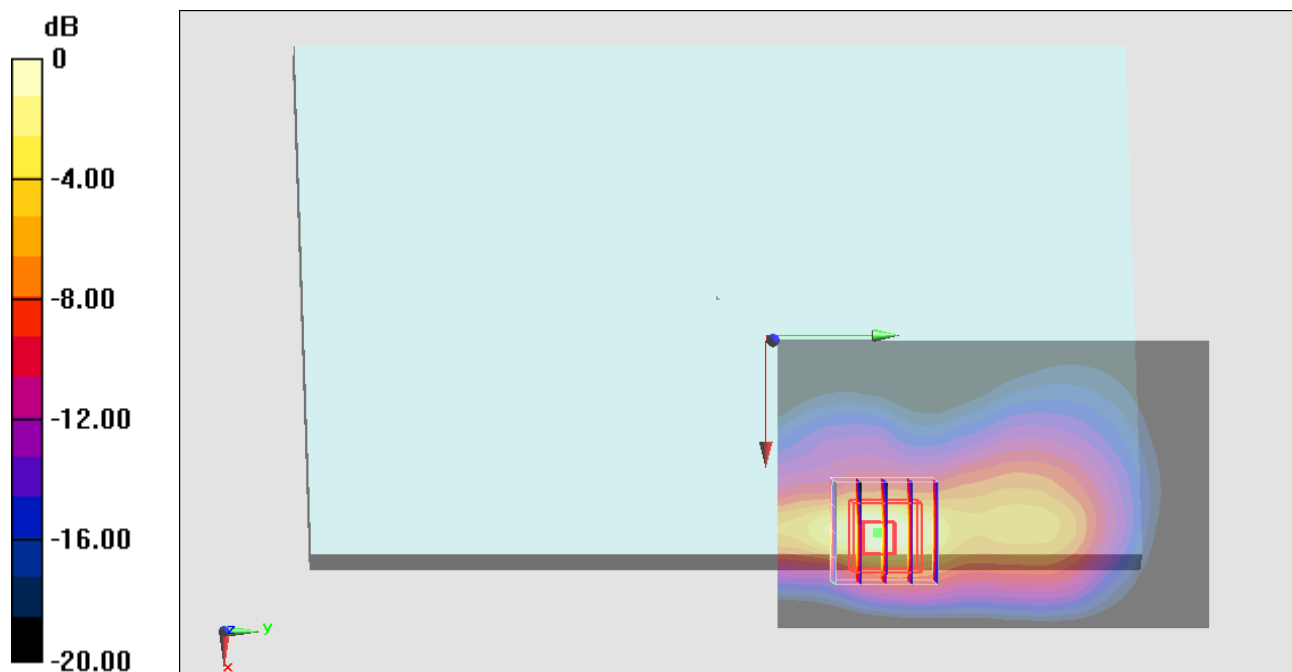
Configuration/Ch661/Zoom Scan (5x5x7)/Cube 0: Measurement grid: dx=8mm, dy=8mm, dz=5mm

Reference Value = 28.745 V/m; Power Drift = -0.15 dB

Peak SAR (extrapolated) = 1.507 mW/g

SAR(1 g) = 0.843 mW/g; SAR(10 g) = 0.385 mW/g

Maximum value of SAR (measured) = 0.975 mW/g



0 dB = 0.975 mW/g = -0.22 dB mW/g

#32_GSM1900_GPRS (4 Tx slots)_Curved surface of Edge1_0cm_Ch810

DUT: 322823-02

Communication System: PCS; Frequency: 1909.8 MHz; Duty Cycle: 1:2

Medium: MSL_1900_130423 Medium parameters used: $f = 1910$ MHz; $\sigma = 1.54$ mho/m; $\epsilon_r = 52.817$; $\rho =$

1000 kg/m³

Ambient Temperature : 22.5 °C; Liquid Temperature : 21.5 °C

DASY5 Configuration:

- Probe: ET3DV6 - SN1787; ConvF(4.58, 4.58, 4.58); Calibrated: 2012/5/29;
- Sensor-Surface: 4mm (Mechanical Surface Detection)
- Electronics: DAE4 Sn910; Calibrated: 2012/12/5
- Phantom: ELI v4.0; Type: QDOVA001BB; Serial: TP:1127
- Measurement SW: DASY52, Version 52.8 (3); SEMCAD X Version 14.6.5 (6469)

Configuration/Ch810/Area Scan (61x91x1): Measurement grid: dx=15mm, dy=15mm

Maximum value of SAR (interpolated) = 1.10 mW/g

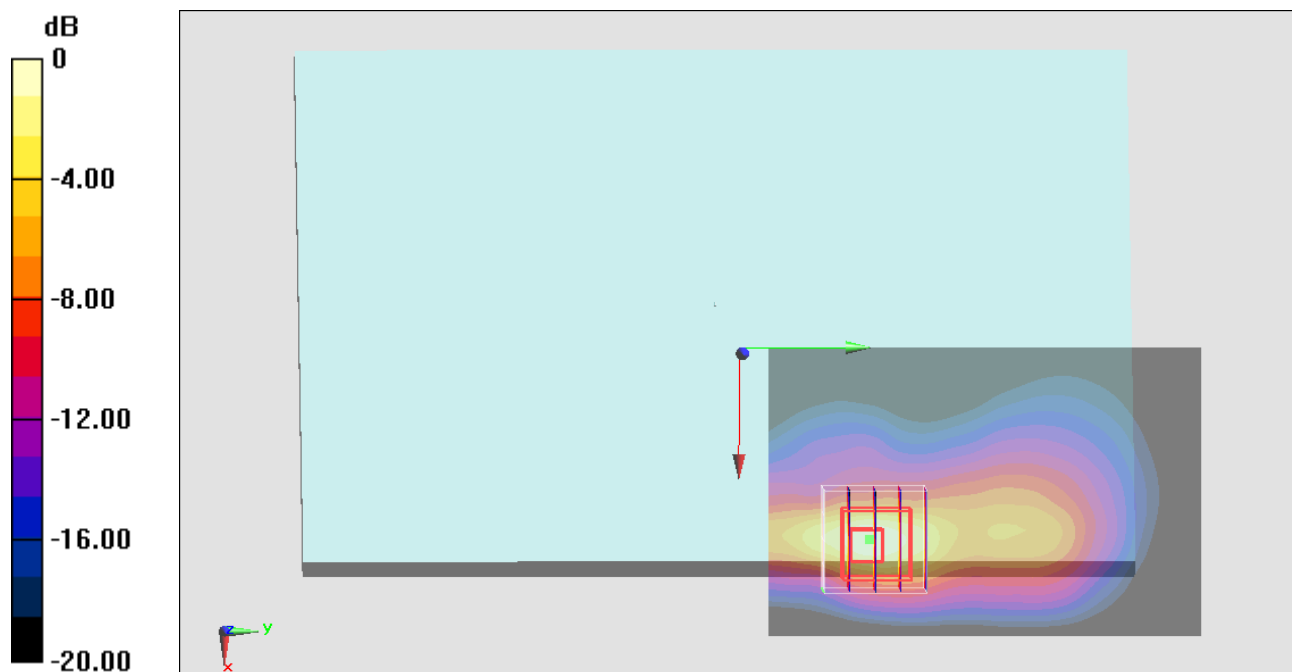
Configuration/Ch810/Zoom Scan (5x5x7)/Cube 0: Measurement grid: dx=8mm, dy=8mm, dz=5mm

Reference Value = 28.878 V/m; Power Drift = -0.11 dB

Peak SAR (extrapolated) = 1.613 mW/g

SAR(1 g) = 0.873 mW/g; SAR(10 g) = 0.395 mW/g

Maximum value of SAR (measured) = 1.02 mW/g



0 dB = 1.02 mW/g = 0.17 dB mW/g

#39_GSM1900_GPRS (4 Tx slots)_Curved surface of Edge1_0cm_Ch810;Repeat

DUT: 322823-02

Communication System: PCS; Frequency: 1909.8 MHz; Duty Cycle: 1:2

Medium: MSL_1900_130423 Medium parameters used: $f = 1910$ MHz; $\sigma = 1.54$ mho/m; $\epsilon_r = 52.817$; $\rho =$

1000 kg/m³

Ambient Temperature : 22.5 °C; Liquid Temperature : 21.5 °C

DASY5 Configuration:

- Probe: ET3DV6 - SN1787; ConvF(4.58, 4.58, 4.58); Calibrated: 2012/5/29;
- Sensor-Surface: 4mm (Mechanical Surface Detection)
- Electronics: DAE4 Sn910; Calibrated: 2012/12/5
- Phantom: ELI v4.0; Type: QDOVA001BB; Serial: TP:1127
- Measurement SW: DASY52, Version 52.8 (3); SEMCAD X Version 14.6.5 (6469)

Configuration/Ch810/Area Scan (61x91x1): Measurement grid: dx=15mm, dy=15mm
Maximum value of SAR (interpolated) = 1.10 mW/g

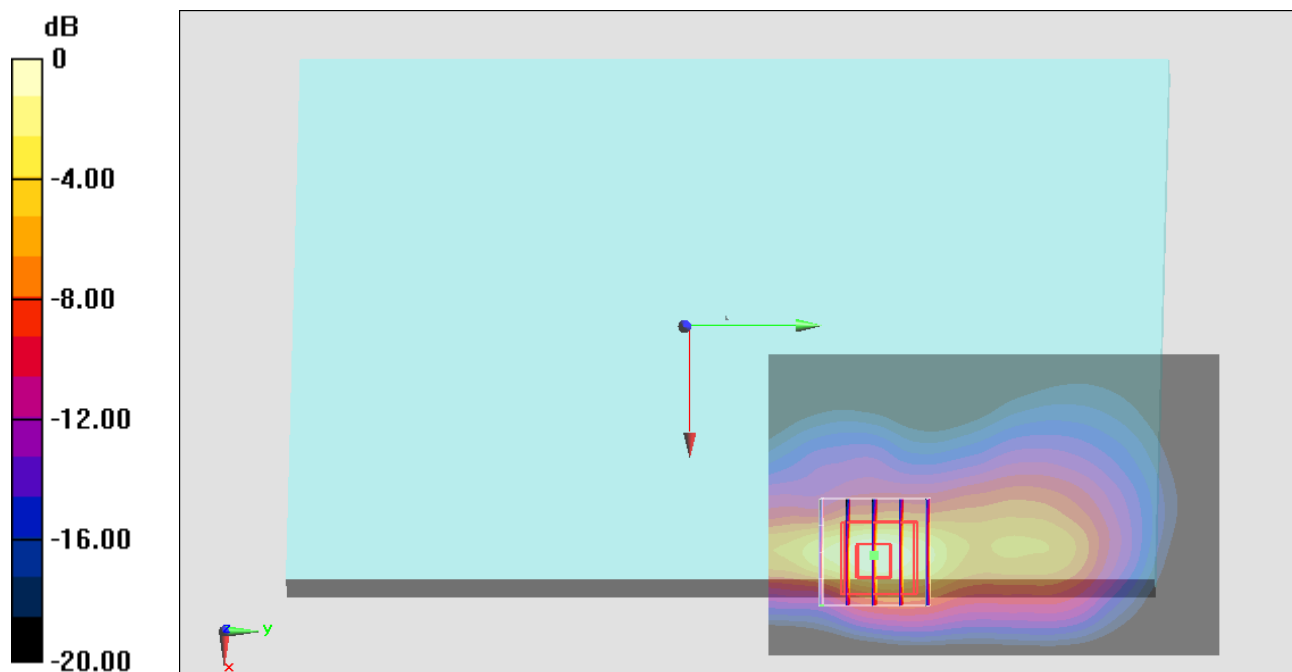
Configuration/Ch810/Zoom Scan (5x5x7)/Cube 0: Measurement grid: dx=8mm, dy=8mm, dz=5mm

Reference Value = 28.816 V/m; Power Drift = -0.10 dB

Peak SAR (extrapolated) = 1.594 mW/g

SAR(1 g) = 0.870 mW/g; SAR(10 g) = 0.394 mW/g

Maximum value of SAR (measured) = 1.01 mW/g



0 dB = 1.01 mW/g = 0.09 dB mW/g

#21_WCDMA V_RMC 12.2Kbps_Bottom Face_1cm_Ch4132

DUT: 322823-02

Communication System: WCDMA; Frequency: 826.4 MHz; Duty Cycle: 1:1

Medium: MSL_850_130424 Medium parameters used: $f = 826.4$ MHz; $\sigma = 0.988$ mho/m; $\epsilon_r = 55.443$; ρ

$= 1000$ kg/m³

Ambient Temperature : 22.7 °C; Liquid Temperature : 21.7 °C

DASY5 Configuration:

- Probe: ET3DV6 - SN1787; ConvF(6.08, 6.08, 6.08); Calibrated: 2012/5/29;
- Sensor-Surface: 4mm (Mechanical Surface Detection)
- Electronics: DAE4 Sn910; Calibrated: 2012/12/5
- Phantom: ELI v5.0 Left; Type: QDOVA002AA; Serial: TP:1131
- Measurement SW: DASY52, Version 52.8 (3); SEMCAD X Version 14.6.5 (6469)

Configuration/Ch4132/Area Scan (51x91x1): Measurement grid: dx=15mm, dy=15mm
 Maximum value of SAR (interpolated) = 0.410 mW/g

Configuration/Ch4132/Zoom Scan (5x5x7)/Cube 0: Measurement grid: dx=8mm, dy=8mm, dz=5mm

Reference Value = 21.236 V/m; Power Drift = 0.00 dB

Peak SAR (extrapolated) = 0.566 mW/g

SAR(1 g) = 0.379 mW/g; SAR(10 g) = 0.243 mW/g

Maximum value of SAR (measured) = 0.409 mW/g

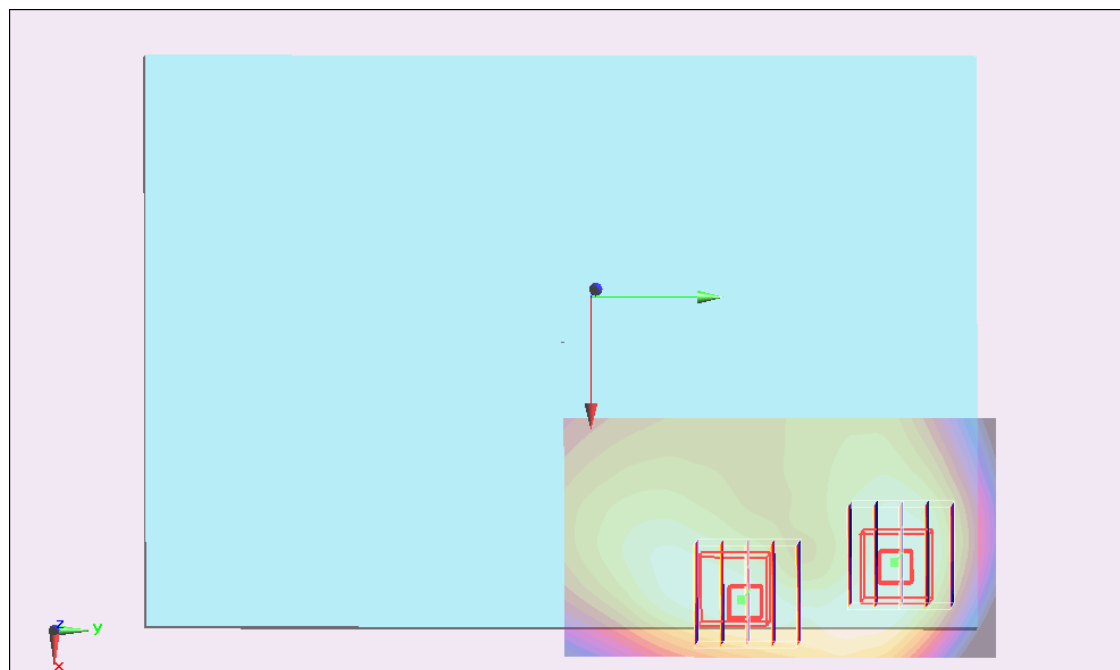
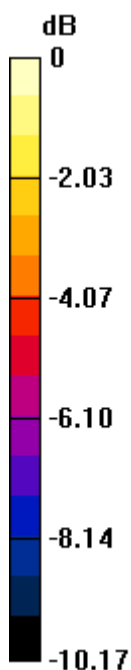
Configuration/Ch4132/Zoom Scan (5x5x7)/Cube 1: Measurement grid: dx=8mm, dy=8mm, dz=5mm

Reference Value = 21.236 V/m; Power Drift = 0.00 dB

Peak SAR (extrapolated) = 0.472 mW/g

SAR(1 g) = 0.346 mW/g; SAR(10 g) = 0.242 mW/g

Maximum value of SAR (measured) = 0.370 mW/g



0 dB = 0.370 mW/g = -8.64 dB mW/g

#22_WCDMA V_RMC 12.2Kbps_Edge 1_1.2cm_Ch4132

DUT: 322823-02

Communication System: WCDMA; Frequency: 826.4 MHz; Duty Cycle: 1:1

Medium: MSL_850_130424 Medium parameters used: $f = 826.4$ MHz; $\sigma = 0.988$ mho/m; $\epsilon_r = 55.443$; ρ

$= 1000$ kg/m³

Ambient Temperature : 22.7 °C; Liquid Temperature : 21.7 °C

DASY5 Configuration:

- Probe: ET3DV6 - SN1787; ConvF(6.08, 6.08, 6.08); Calibrated: 2012/5/29;
- Sensor-Surface: 4mm (Mechanical Surface Detection)
- Electronics: DAE4 Sn910; Calibrated: 2012/12/5
- Phantom: ELI v5.0 Left; Type: QDOVA002AA; Serial: TP:1131
- Measurement SW: DASY52, Version 52.8 (3); SEMCAD X Version 14.6.5 (6469)

Configuration/Ch4132/Area Scan (41x81x1): Measurement grid: dx=15mm, dy=15mm
Maximum value of SAR (interpolated) = 0.200 mW/g

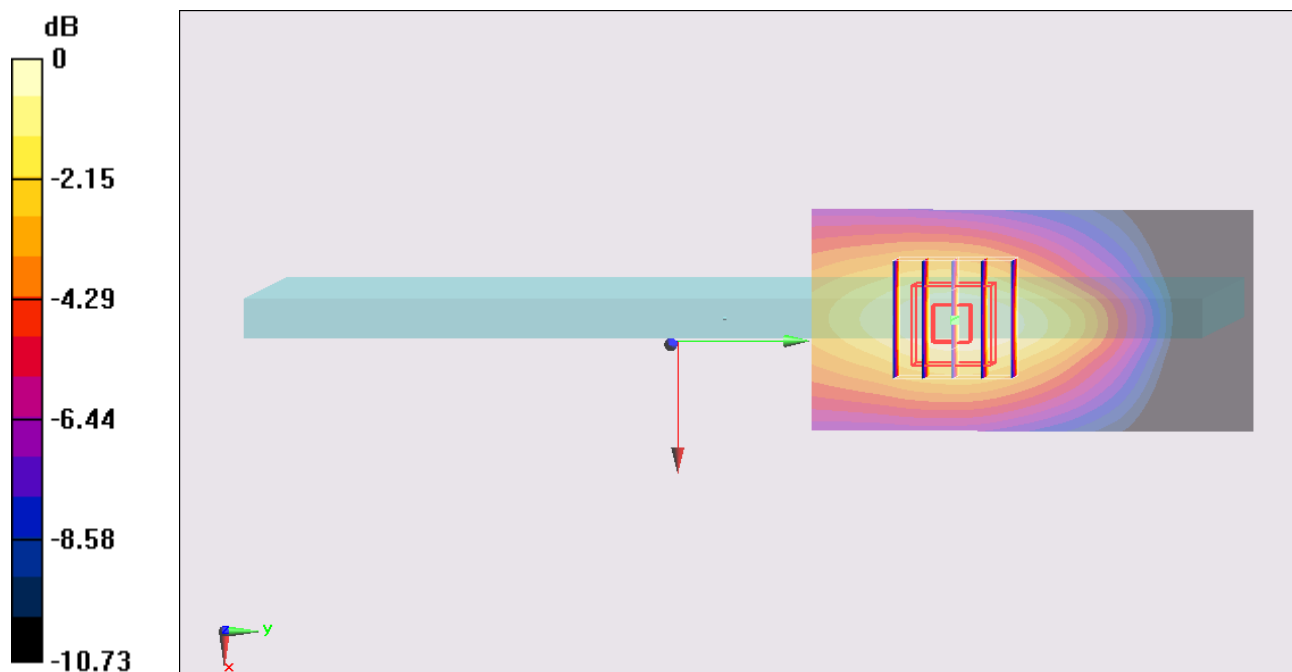
Configuration/Ch4132/Zoom Scan (5x5x7)/Cube 0: Measurement grid: dx=8mm, dy=8mm, dz=5mm

Reference Value = 14.638 V/m; Power Drift = 0.01 dB

Peak SAR (extrapolated) = 0.262 mW/g

SAR(1 g) = 0.182 mW/g; SAR(10 g) = 0.120 mW/g

Maximum value of SAR (measured) = 0.196 mW/g



0 dB = 0.196 mW/g = -14.15 dB mW/g

#52_WCDMA V_RMC12.2Kbps_Edge 2_0cm_Ch4132

DUT: 322823-02

Communication System: WCDMA; Frequency: 826.4 MHz; Duty Cycle: 1:1

Medium: MSL_850_130426 Medium parameters used: $f = 826.4$ MHz; $\sigma = 0.955$ mho/m; $\epsilon_r = 54.588$; ρ

$= 1000$ kg/m³

Ambient Temperature : 22.5 °C; Liquid Temperature : 21.5 °C

DASY5 Configuration:

- Probe: ET3DV6 - SN1787; ConvF(6.08, 6.08, 6.08); Calibrated: 2012/5/29;
- Sensor-Surface: 4mm (Mechanical Surface Detection)
- Electronics: DAE4 Sn910; Calibrated: 2012/12/5
- Phantom: ELI v5.0 Left; Type: QDOVA002AA; Serial: TP:1131
- Measurement SW: DASY52, Version 52.8 (3); SEMCAD X Version 14.6.5 (6469)

Configuration/Ch4132/Area Scan (41x131x1): Measurement grid: dx=15mm, dy=15mm
Maximum value of SAR (interpolated) = 0.753 mW/g

Configuration/Ch4132/Zoom Scan (5x5x7)/Cube 0: Measurement grid: dx=8mm, dy=8mm, dz=5mm

Reference Value = 26.520 V/m; Power Drift = -0.07 dB

Peak SAR (extrapolated) = 1.267 mW/g

SAR(1 g) = 0.536 mW/g; SAR(10 g) = 0.314 mW/g

Maximum value of SAR (measured) = 0.622 mW/g

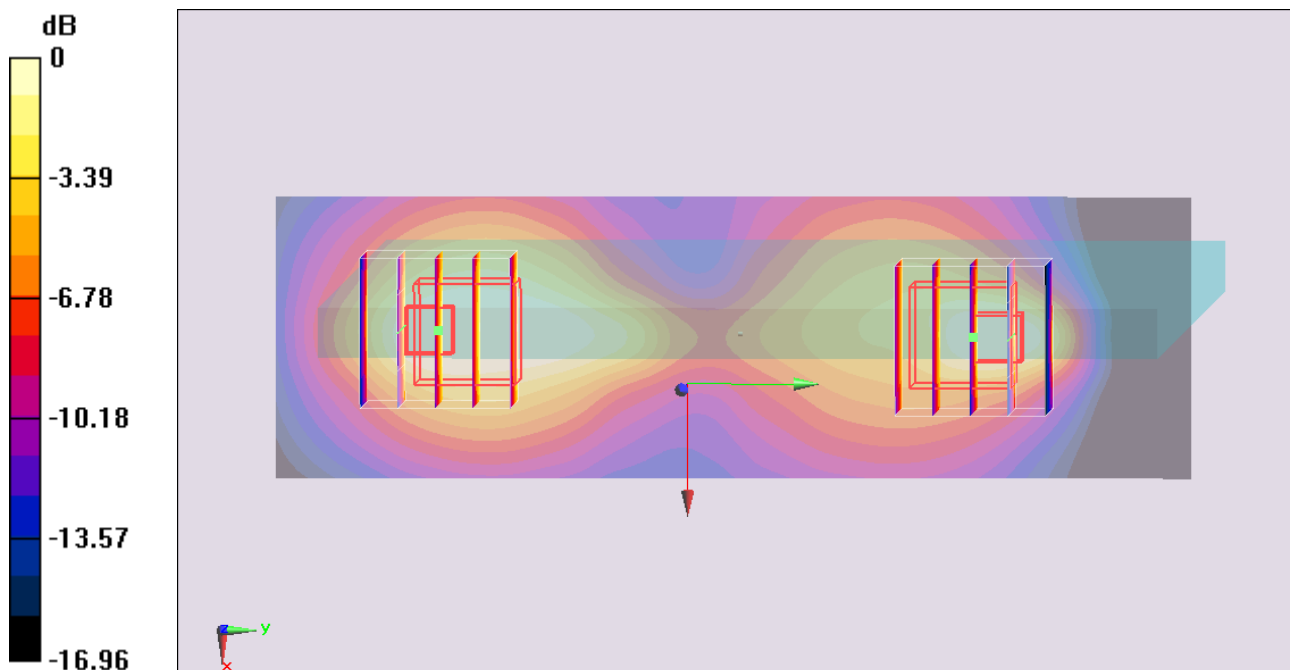
Configuration/Ch4132/Zoom Scan (5x5x7)/Cube 1: Measurement grid: dx=8mm, dy=8mm, dz=5mm

Reference Value = 26.520 V/m; Power Drift = -0.07 dB

Peak SAR (extrapolated) = 1.391 mW/g

SAR(1 g) = 0.447 mW/g; SAR(10 g) = 0.205 mW/g

Maximum value of SAR (measured) = 0.577 mW/g



0 dB = 0.577 mW/g = -4.78 dB mW/g

#45_WCDMA V_RMC12.2Kbps_Bottom Face_0cm_Ch4132

DUT: 322823-02

Communication System: WCDMA; Frequency: 826.4 MHz; Duty Cycle: 1:1

Medium: MSL_850_130426 Medium parameters used : $f = 826.4$ MHz; $\sigma = 0.955$ mho/m; $\epsilon_r = 54.588$; ρ

$= 1000$ kg/m³

Ambient Temperature : 22.5 °C; Liquid Temperature : 21.5 °C

DASY5 Configuration:

- Probe: ET3DV6 - SN1787; ConvF(6.08, 6.08, 6.08); Calibrated: 2012/5/29;
- Sensor-Surface: 4mm (Mechanical Surface Detection)
- Electronics: DAE4 Sn910; Calibrated: 2012/12/5
- Phantom: ELI v5.0 Left; Type: QDOVA002AA; Serial: TP:1131
- Measurement SW: DASY52, Version 52.8 (3); SEMCAD X Version 14.6.5 (6469)

Configuration/Ch4132/Area Scan (51x91x1): Measurement grid: dx=15mm, dy=15mm
 Maximum value of SAR (interpolated) = 0.763 mW/g

Configuration/Ch4132/Zoom Scan (5x5x7)/Cube 0: Measurement grid: dx=8mm, dy=8mm, dz=5mm

Reference Value = 29.045 V/m; Power Drift = -0.00 dB

Peak SAR (extrapolated) = 1.200 mW/g

SAR(1 g) = 0.687 mW/g; SAR(10 g) = 0.399 mW/g

Maximum value of SAR (measured) = 0.741 mW/g

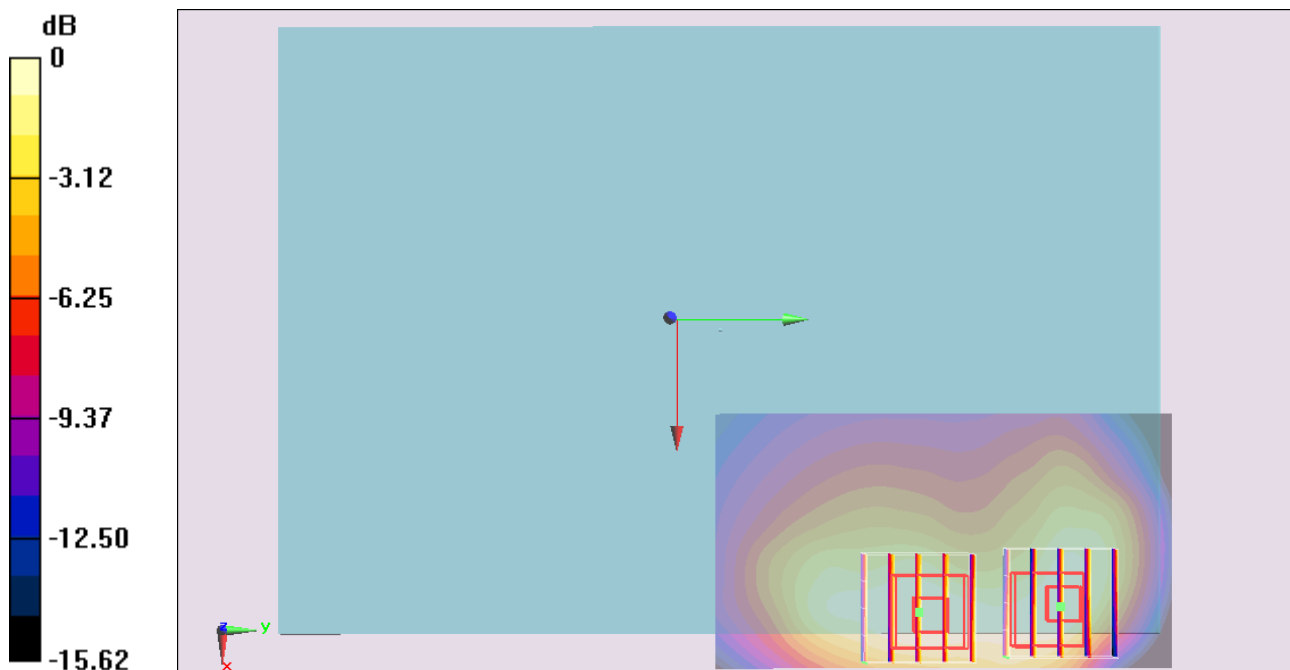
Configuration/Ch4132/Zoom Scan (5x5x7)/Cube 1: Measurement grid: dx=8mm, dy=8mm, dz=5mm

Reference Value = 29.045 V/m; Power Drift = -0.00 dB

Peak SAR (extrapolated) = 1.100 mW/g

SAR(1 g) = 0.590 mW/g; SAR(10 g) = 0.339 mW/g

Maximum value of SAR (measured) = 0.657 mW/g



0 dB = 0.657 mW/g = -3.65 dB mW/g

#46_WCDMA V_RMC12.2Kbps_Bottom Face_0cm_Ch4182

DUT: 322823-02

Communication System: WCDMA; Frequency: 836.4 MHz; Duty Cycle: 1:1

Medium: MSL_850_130426 Medium parameters used : $f = 836.4$ MHz; $\sigma = 0.965$ mho/m; $\epsilon_r = 54.481$; ρ

$= 1000$ kg/m³

Ambient Temperature : 22.5 °C; Liquid Temperature : 21.5 °C

DASY5 Configuration:

- Probe: ET3DV6 - SN1787; ConvF(6.08, 6.08, 6.08); Calibrated: 2012/5/29;
- Sensor-Surface: 4mm (Mechanical Surface Detection)
- Electronics: DAE4 Sn910; Calibrated: 2012/12/5
- Phantom: ELI v5.0 Left; Type: QDOVA002AA; Serial: TP:1131
- Measurement SW: DASY52, Version 52.8 (3); SEMCAD X Version 14.6.5 (6469)

Configuration/Ch4182/Area Scan (51x91x1): Measurement grid: dx=15mm, dy=15mm
 Maximum value of SAR (interpolated) = 0.738 mW/g

Configuration/Ch4182/Zoom Scan (5x5x7)/Cube 0: Measurement grid: dx=8mm, dy=8mm, dz=5mm

Reference Value = 28.444 V/m; Power Drift = -0.05 dB

Peak SAR (extrapolated) = 1.170 mW/g

SAR(1 g) = 0.656 mW/g; SAR(10 g) = 0.375 mW/g

Maximum value of SAR (measured) = 0.710 mW/g

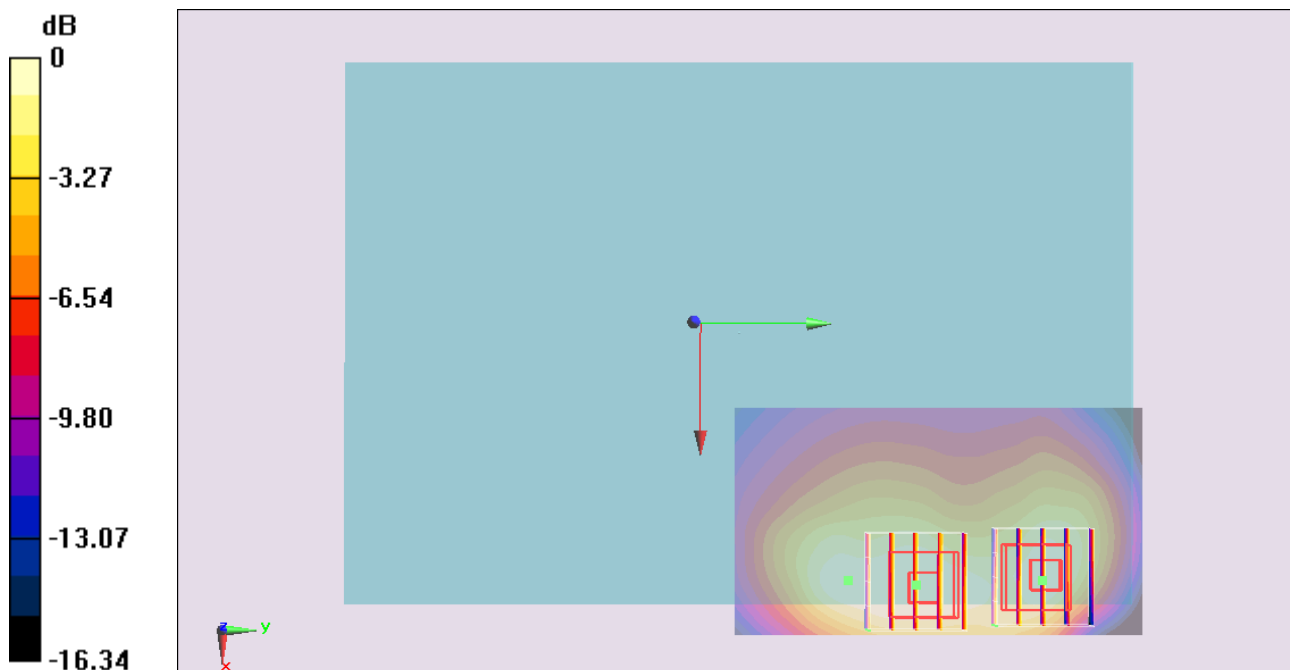
Configuration/Ch4182/Zoom Scan (5x5x7)/Cube 1: Measurement grid: dx=8mm, dy=8mm, dz=5mm

Reference Value = 28.444 V/m; Power Drift = -0.05 dB

Peak SAR (extrapolated) = 0.953 mW/g

SAR(1 g) = 0.499 mW/g; SAR(10 g) = 0.280 mW/g

Maximum value of SAR (measured) = 0.559 mW/g



0 dB = 0.559 mW/g = -5.05 dB mW/g

#47_WCDMA V_RMC12.2Kbps_Bottom Face_0cm_Ch4233

DUT: 322823-02

Communication System: WCDMA; Frequency: 846.6 MHz; Duty Cycle: 1:1

Medium: MSL_850_130426 Medium parameters used: $f = 847$ MHz; $\sigma = 0.975$ mho/m; $\epsilon_r = 54.378$; $\rho =$

1000 kg/m³

Ambient Temperature : 22.5 °C; Liquid Temperature : 21.5 °C

DASY5 Configuration:

- Probe: ET3DV6 - SN1787; ConvF(6.08, 6.08, 6.08); Calibrated: 2012/5/29;
- Sensor-Surface: 4mm (Mechanical Surface Detection)
- Electronics: DAE4 Sn910; Calibrated: 2012/12/5
- Phantom: ELI v5.0 Left; Type: QDOVA002AA; Serial: TP:1131
- Measurement SW: DASY52, Version 52.8 (3); SEMCAD X Version 14.6.5 (6469)

Configuration/Ch4233/Area Scan (51x91x1): Measurement grid: dx=15mm, dy=15mm
 Maximum value of SAR (interpolated) = 0.745 mW/g

Configuration/Ch4233/Zoom Scan (5x5x7)/Cube 0: Measurement grid: dx=8mm, dy=8mm, dz=5mm

Reference Value = 27.779 V/m; Power Drift = -0.04 dB

Peak SAR (extrapolated) = 1.190 mW/g

SAR(1 g) = 0.654 mW/g; SAR(10 g) = 0.370 mW/g

Maximum value of SAR (measured) = 0.695 mW/g

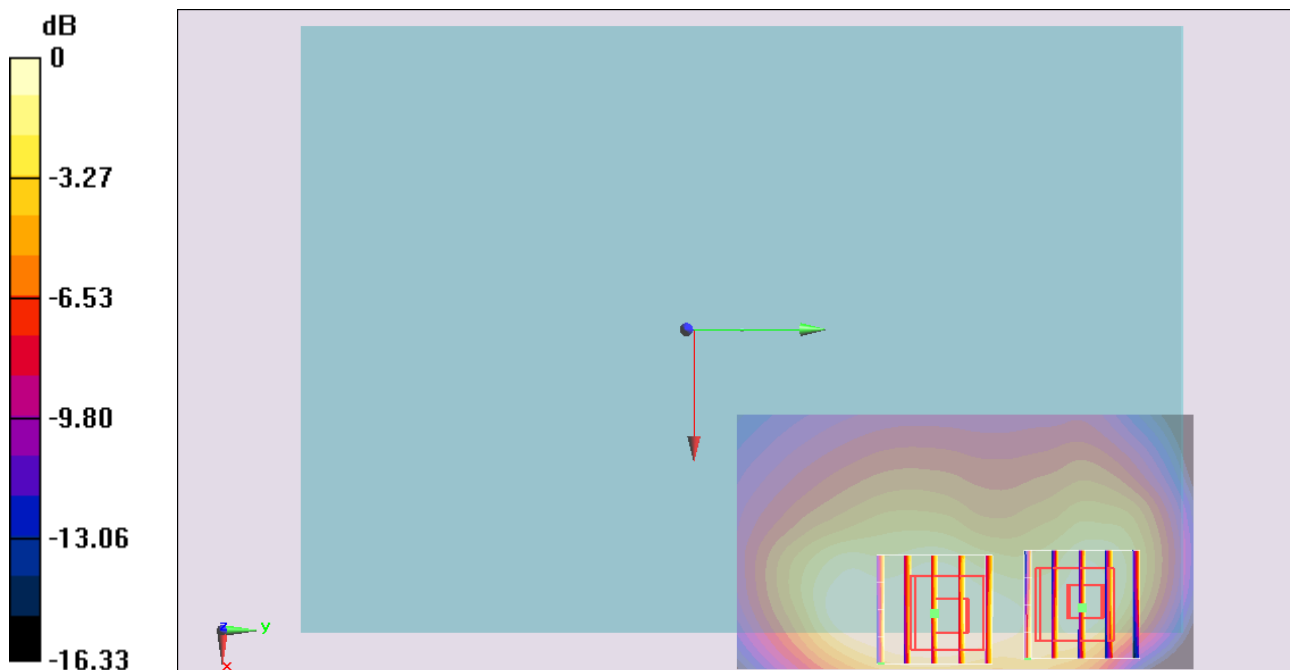
Configuration/Ch4233/Zoom Scan (5x5x7)/Cube 1: Measurement grid: dx=8mm, dy=8mm, dz=5mm

Reference Value = 27.779 V/m; Power Drift = -0.04 dB

Peak SAR (extrapolated) = 0.876 mW/g

SAR(1 g) = 0.454 mW/g; SAR(10 g) = 0.253 mW/g

Maximum value of SAR (measured) = 0.510 mW/g



0 dB = 0.510 mW/g = -5.85 dB mW/g

#48_WCDMA V_RMC12.2Kbps_Edge 1_0cm_Ch4132

DUT: 322823-02

Communication System: WCDMA; Frequency: 826.4 MHz; Duty Cycle: 1:1

Medium: MSL_850_130426 Medium parameters used : $f = 826.4$ MHz; $\sigma = 0.955$ mho/m; $\epsilon_r = 54.588$; ρ

$= 1000$ kg/m³

Ambient Temperature : 22.5 °C; Liquid Temperature : 21.5 °C

DASY5 Configuration:

- Probe: ET3DV6 - SN1787; ConvF(6.08, 6.08, 6.08); Calibrated: 2012/5/29;
- Sensor-Surface: 4mm (Mechanical Surface Detection)
- Electronics: DAE4 Sn910; Calibrated: 2012/12/5
- Phantom: ELI v5.0 Left; Type: QDOVA002AA; Serial: TP:1131
- Measurement SW: DASY52, Version 52.8 (3); SEMCAD X Version 14.6.5 (6469)

Configuration/Ch4132/Area Scan (41x101x1): Measurement grid: dx=15mm, dy=15mm
 Maximum value of SAR (interpolated) = 0.604 mW/g

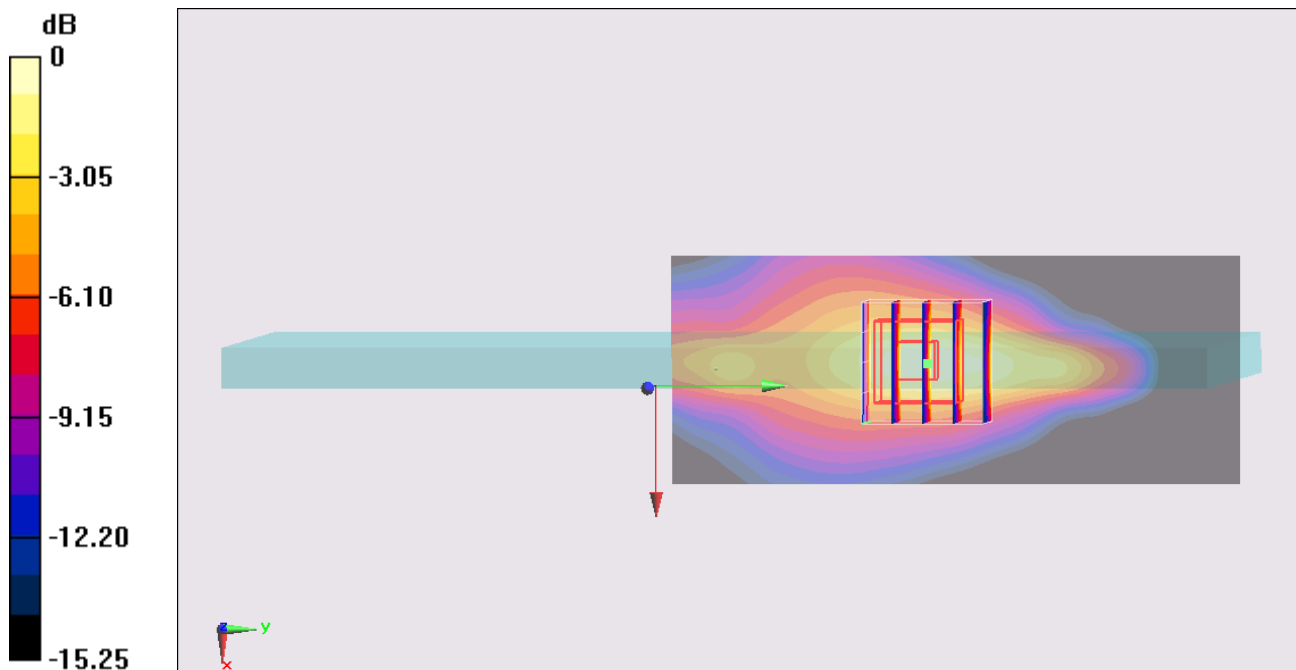
Configuration/Ch4132/Zoom Scan (5x5x7)/Cube 0: Measurement grid: dx=8mm, dy=8mm, dz=5mm

Reference Value = 26.509 V/m; Power Drift = -0.06 dB

Peak SAR (extrapolated) = 1.113 mW/g

SAR(1 g) = 0.529 mW/g; SAR(10 g) = 0.268 mW/g

Maximum value of SAR (measured) = 0.638 mW/g



0 dB = 0.638 mW/g = -3.90 dB mW/g

#49_WCDMA V_RMC 12.2Kbps_Curved surface of Edge1_0cm_Ch4132

DUT: 322823-02

Communication System: WCDMA; Frequency: 826.4 MHz; Duty Cycle: 1:1

Medium: MSL_850_130426 Medium parameters used : $f = 826.4$ MHz; $\sigma = 0.955$ mho/m; $\epsilon_r = 54.588$; ρ

$= 1000$ kg/m³

Ambient Temperature : 22.5 °C; Liquid Temperature : 21.5 °C

DASY5 Configuration:

- Probe: ET3DV6 - SN1787; ConvF(6.08, 6.08, 6.08); Calibrated: 2012/5/29;
- Sensor-Surface: 4mm (Mechanical Surface Detection)
- Electronics: DAE4 Sn910; Calibrated: 2012/12/5
- Phantom: ELI v5.0 Left; Type: QDOVA002AA; Serial: TP:1131
- Measurement SW: DASY52, Version 52.8 (3); SEMCAD X Version 14.6.5 (6469)

Configuration/Ch4132/Area Scan (61x91x1): Measurement grid: dx=15mm, dy=15mm
Maximum value of SAR (interpolated) = 0.584 mW/g

Configuration/Ch4132/Zoom Scan (5x5x7)/Cube 0: Measurement grid: dx=8mm, dy=8mm, dz=5mm

Reference Value = 27.240 V/m; Power Drift = -0.05 dB

Peak SAR (extrapolated) = 1.134 mW/g

SAR(1 g) = 0.581 mW/g; SAR(10 g) = 0.314 mW/g

Maximum value of SAR (measured) = 0.635 mW/g

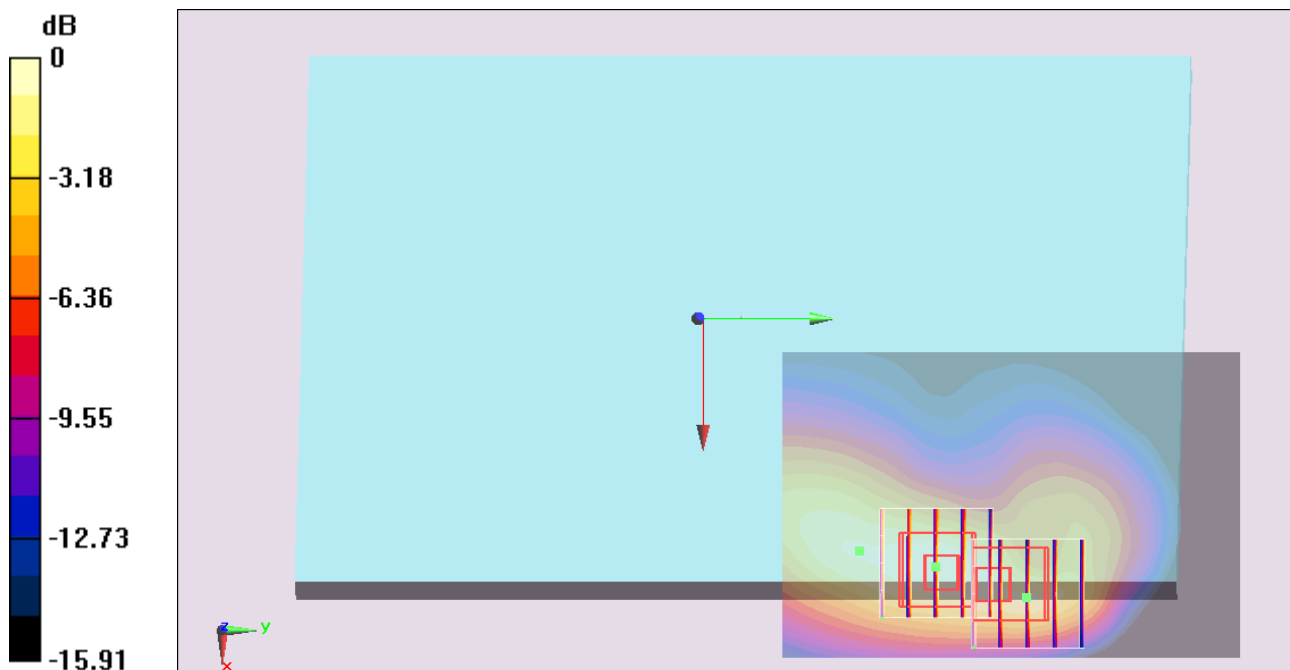
Configuration/Ch4132/Zoom Scan (5x5x7)/Cube 1: Measurement grid: dx=8mm, dy=8mm, dz=5mm

Reference Value = 27.240 V/m; Power Drift = -0.05 dB

Peak SAR (extrapolated) = 1.070 mW/g

SAR(1 g) = 0.492 mW/g; SAR(10 g) = 0.254 mW/g

Maximum value of SAR (measured) = 0.564 mW/g



0 dB = 0.564 mW/g = -4.97 dB mW/g

#50_WCDMA V_RMC 12.2Kbps_Curved surface of Edge1_0cm_Ch4182

DUT: 322823-02

Communication System: WCDMA; Frequency: 836.4 MHz; Duty Cycle: 1:1

Medium: MSL_850_130426 Medium parameters used: $f = 836.4$ MHz; $\sigma = 0.965$ mho/m; $\epsilon_r = 54.481$; ρ

$= 1000$ kg/m³

Ambient Temperature : 22.5 °C; Liquid Temperature : 21.5 °C

DASY5 Configuration:

- Probe: ET3DV6 - SN1787; ConvF(6.08, 6.08, 6.08); Calibrated: 2012/5/29;
- Sensor-Surface: 4mm (Mechanical Surface Detection)
- Electronics: DAE4 Sn910; Calibrated: 2012/12/5
- Phantom: ELI v5.0 Left; Type: QDOVA002AA; Serial: TP:1131
- Measurement SW: DASY52, Version 52.8 (3); SEMCAD X Version 14.6.5 (6469)

Configuration/Ch4182/Area Scan (61x91x1): Measurement grid: dx=15mm, dy=15mm
 Maximum value of SAR (interpolated) = 0.523 mW/g

Configuration/Ch4182/Zoom Scan (5x5x7)/Cube 0: Measurement grid: dx=8mm, dy=8mm, dz=5mm

Reference Value = 25.627 V/m; Power Drift = -0.02 dB

Peak SAR (extrapolated) = 1.053 mW/g

SAR(1 g) = 0.527 mW/g; SAR(10 g) = 0.283 mW/g

Maximum value of SAR (measured) = 0.574 mW/g

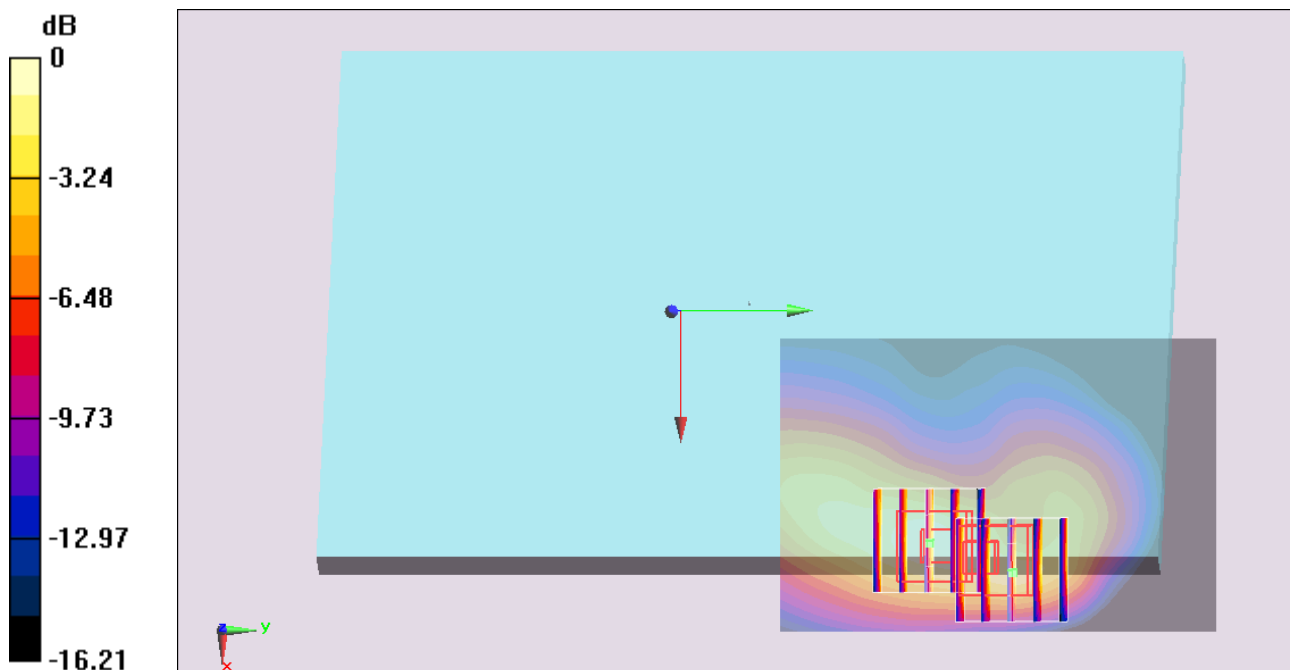
Configuration/Ch4182/Zoom Scan (5x5x7)/Cube 1: Measurement grid: dx=8mm, dy=8mm, dz=5mm

Reference Value = 25.627 V/m; Power Drift = -0.02 dB

Peak SAR (extrapolated) = 0.995 mW/g

SAR(1 g) = 0.450 mW/g; SAR(10 g) = 0.232 mW/g

Maximum value of SAR (measured) = 0.537 mW/g



0 dB = 0.537 mW/g = -5.40 dB mW/g

#51_WCDMA V_RMC 12.2Kbps_Curved surface of Edge1_0cm_Ch4233

DUT: 322823-02

Communication System: WCDMA; Frequency: 846.6 MHz; Duty Cycle: 1:1

Medium: MSL_850_130426 Medium parameters used: $f = 847$ MHz; $\sigma = 0.975$ mho/m; $\epsilon_r = 54.378$; $\rho =$

1000 kg/m³

Ambient Temperature : 22.5 °C; Liquid Temperature : 21.5 °C

DASY5 Configuration:

- Probe: ET3DV6 - SN1787; ConvF(6.08, 6.08, 6.08); Calibrated: 2012/5/29;
- Sensor-Surface: 4mm (Mechanical Surface Detection)
- Electronics: DAE4 Sn910; Calibrated: 2012/12/5
- Phantom: ELI v5.0 Left; Type: QDOVA002AA; Serial: TP:1131
- Measurement SW: DASY52, Version 52.8 (3); SEMCAD X Version 14.6.5 (6469)

Configuration/Ch4233/Area Scan (61x91x1): Measurement grid: dx=15mm, dy=15mm
 Maximum value of SAR (interpolated) = 0.527 mW/g

Configuration/Ch4233/Zoom Scan (5x5x7)/Cube 0: Measurement grid: dx=8mm, dy=8mm, dz=5mm

Reference Value = 25.136 V/m; Power Drift = -0.01 dB

Peak SAR (extrapolated) = 1.139 mW/g

SAR(1 g) = 0.542 mW/g; SAR(10 g) = 0.285 mW/g

Maximum value of SAR (measured) = 0.556 mW/g

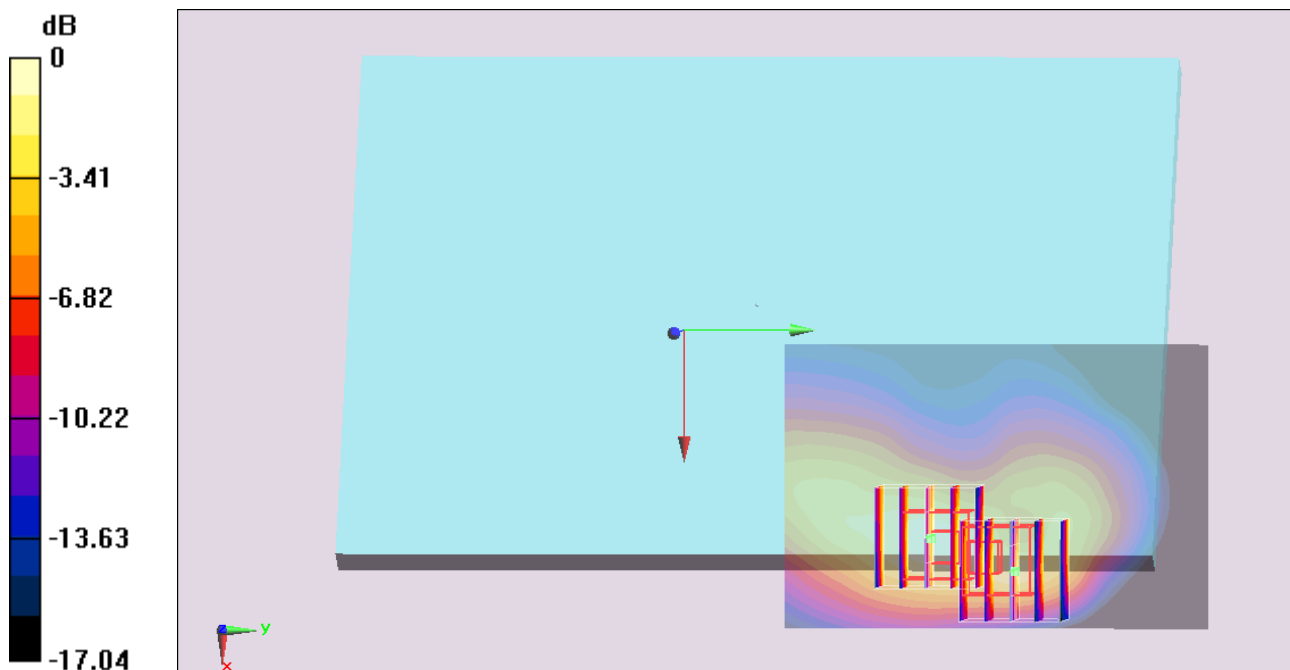
Configuration/Ch4233/Zoom Scan (5x5x7)/Cube 1: Measurement grid: dx=8mm, dy=8mm, dz=5mm

Reference Value = 25.136 V/m; Power Drift = -0.01 dB

Peak SAR (extrapolated) = 1.053 mW/g

SAR(1 g) = 0.442 mW/g; SAR(10 g) = 0.223 mW/g

Maximum value of SAR (measured) = 0.535 mW/g



0 dB = 0.535 mW/g = -5.43 dB mW/g

#11_WCDMA IV_RMC 12.2Kbps_Bottom Face_1cm_Ch1312

DUT: 322823-02

Communication System: WCDMA; Frequency: 1712.4 MHz; Duty Cycle: 1:1

Medium: MSL_1750_130424 Medium parameters used: $f = 1712.4$ MHz; $\sigma = 1.46$ mho/m; $\epsilon_r = 52.349$; ρ

$= 1000$ kg/m³

Ambient Temperature : 22.5 °C; Liquid Temperature : 21.5 °C

DASY5 Configuration:

- Probe: ET3DV6 - SN1787; ConvF(4.81, 4.81, 4.81); Calibrated: 2012/5/29;
- Sensor-Surface: 4mm (Mechanical Surface Detection)
- Electronics: DAE4 Sn910; Calibrated: 2012/12/5
- Phantom: ELI v4.0; Type: QDOVA001BB; Serial: TP:1127
- Measurement SW: DASY52, Version 52.8 (3); SEMCAD X Version 14.6.5 (6469)

Configuration/Ch1312/Area Scan (51x91x1): Measurement grid: dx=15mm, dy=15mm
 Maximum value of SAR (interpolated) = 0.724 mW/g

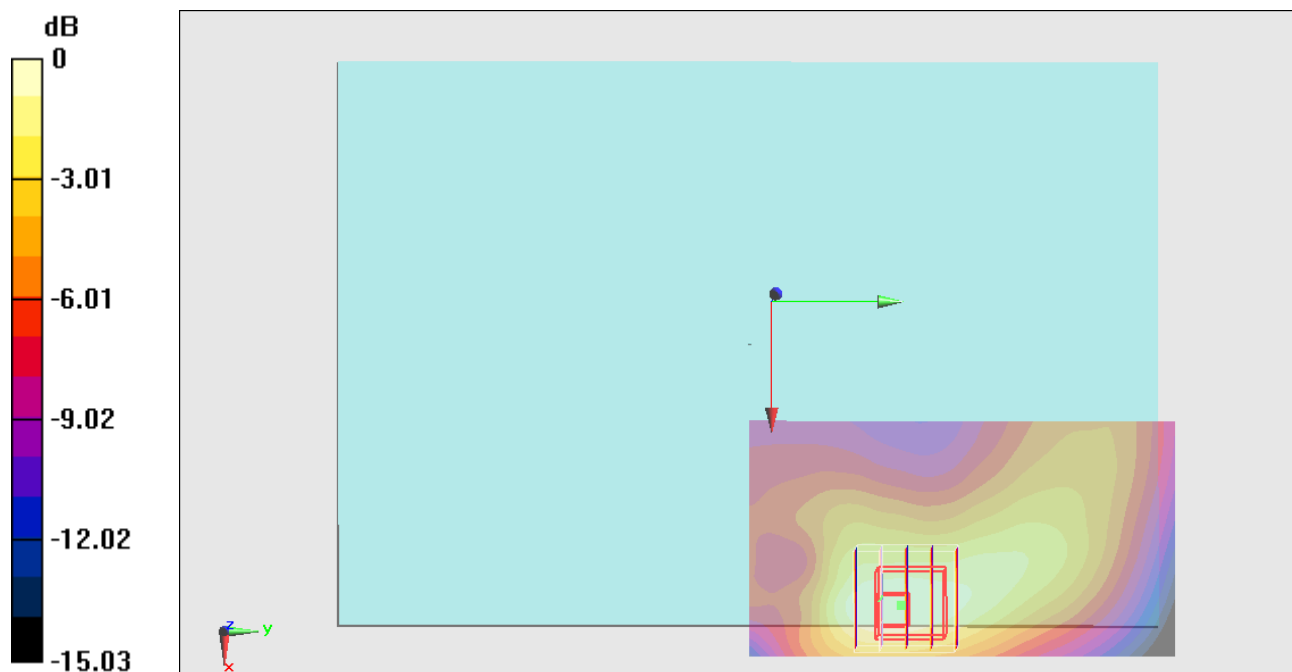
Configuration/Ch1312/Zoom Scan (5x5x7)/Cube 0: Measurement grid: dx=8mm, dy=8mm, dz=5mm

Reference Value = 23.678 V/m; Power Drift = -0.02 dB

Peak SAR (extrapolated) = 0.915 mW/g

SAR(1 g) = 0.637 mW/g; SAR(10 g) = 0.400 mW/g

Maximum value of SAR (measured) = 0.682 mW/g



0 dB = 0.682 mW/g = -3.32 dB mW/g

#55_WCDMA IV_RMC 12.2Kbps_Bottom Face_1cm_Ch1413

DUT: 322823-02

Communication System: WCDMA; Frequency: 1732.6 MHz; Duty Cycle: 1:1

Medium: MSL_1750_130424 Medium parameters used: $f = 1733$ MHz; $\sigma = 1.482$ mho/m; $\epsilon_r = 52.325$; ρ

$= 1000$ kg/m³

Ambient Temperature : 22.5 °C; Liquid Temperature : 21.5 °C

DASY5 Configuration:

- Probe: ET3DV6 - SN1787; ConvF(4.81, 4.81, 4.81); Calibrated: 2012/5/29;
- Sensor-Surface: 4mm (Mechanical Surface Detection)
- Electronics: DAE4 Sn910; Calibrated: 2012/12/5
- Phantom: ELI v4.0; Type: QDOVA001BB; Serial: TP:1127
- Measurement SW: DASY52, Version 52.8 (3); SEMCAD X Version 14.6.5 (6469)

Configuration/Ch1413/Area Scan (51x91x1): Measurement grid: dx=15mm, dy=15mm
Maximum value of SAR (interpolated) = 0.673 mW/g

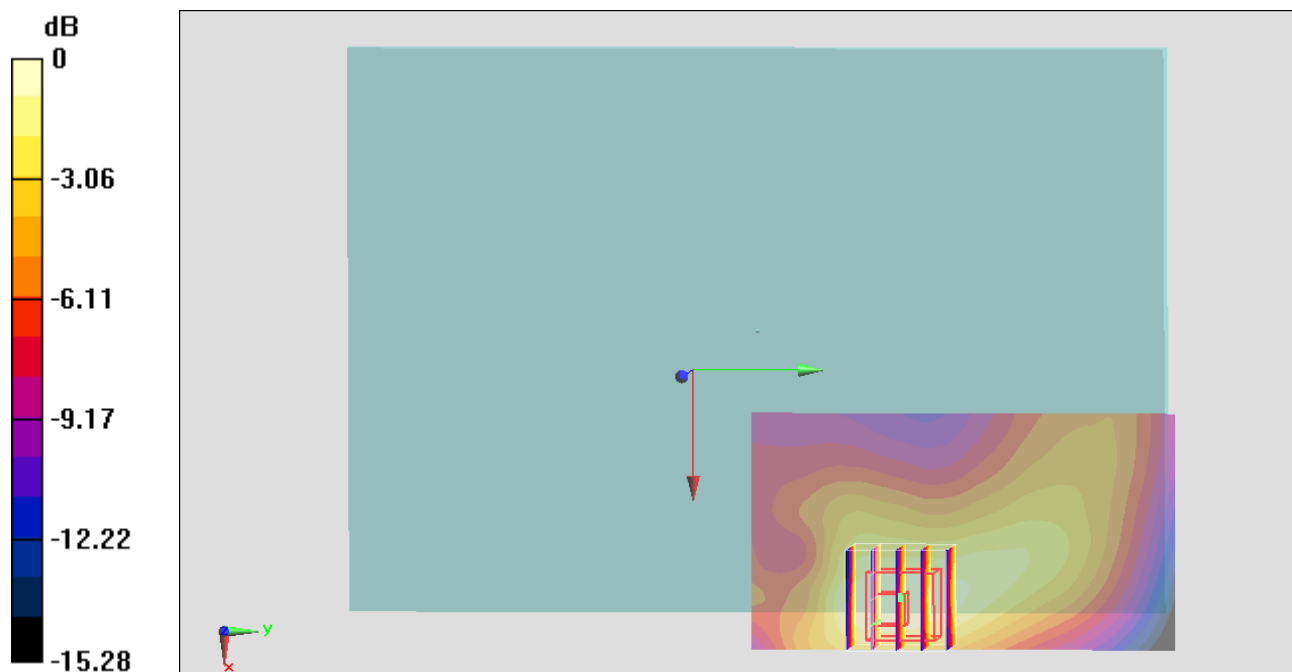
Configuration/Ch1413/Zoom Scan (5x5x7)/Cube 0: Measurement grid: dx=8mm, dy=8mm, dz=5mm

Reference Value = 22.779 V/m; Power Drift = -0.10 dB

Peak SAR (extrapolated) = 0.888 mW/g

SAR(1 g) = 0.613 mW/g; SAR(10 g) = 0.383 mW/g

Maximum value of SAR (measured) = 0.645 mW/g



0 dB = 0.645 mW/g = -3.81 dB mW/g

#56_WCDMA IV_RMC 12.2Kbps_Bottom Face_1cm_Ch1513

DUT: 322823-02

Communication System: WCDMA; Frequency: 1752.6 MHz; Duty Cycle: 1:1

Medium: MSL_1750_130424 Medium parameters used: $f = 1753$ MHz; $\sigma = 1.505$ mho/m; $\epsilon_r = 52.307$; ρ

$= 1000$ kg/m³

Ambient Temperature : 22.5 °C; Liquid Temperature : 21.5 °C

DASY5 Configuration:

- Probe: ET3DV6 - SN1787; ConvF(4.81, 4.81, 4.81); Calibrated: 2012/5/29;
- Sensor-Surface: 4mm (Mechanical Surface Detection)
- Electronics: DAE4 Sn910; Calibrated: 2012/12/5
- Phantom: ELI v4.0; Type: QDOVA001BB; Serial: TP:1127
- Measurement SW: DASY52, Version 52.8 (3); SEMCAD X Version 14.6.5 (6469)

Configuration/Ch1513/Area Scan (51x91x1): Measurement grid: dx=15mm, dy=15mm
 Maximum value of SAR (interpolated) = 0.623 mW/g

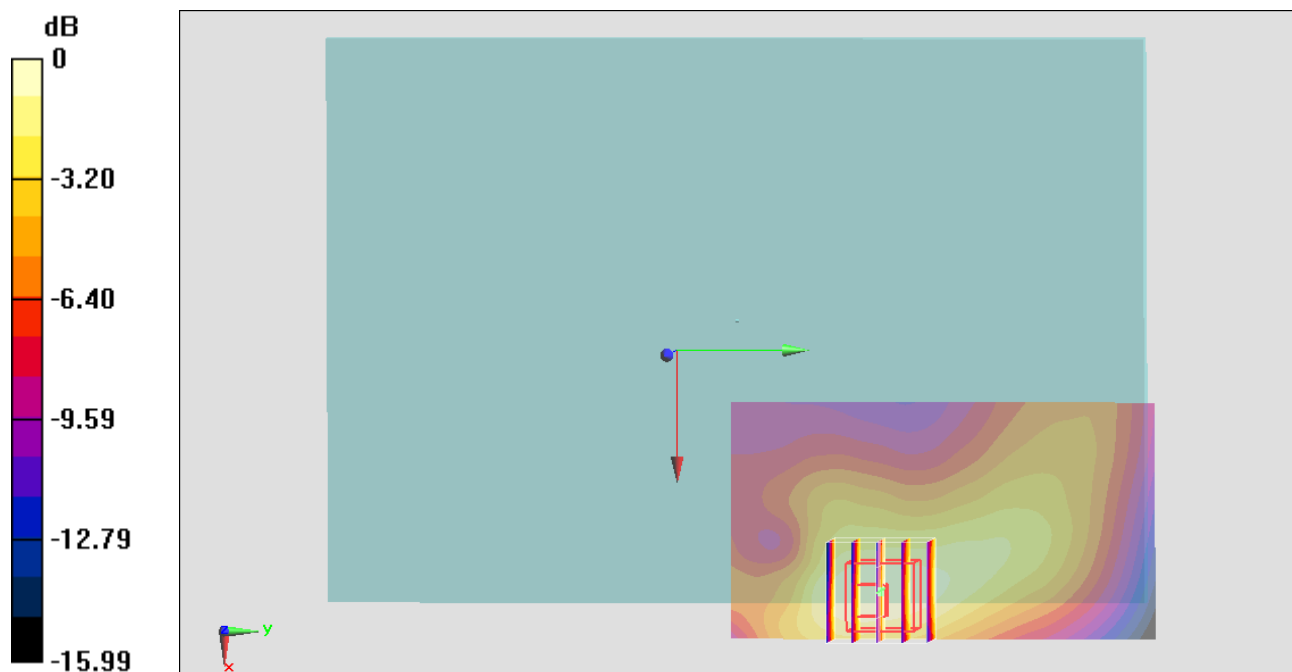
Configuration/Ch1513/Zoom Scan (5x5x7)/Cube 0: Measurement grid: dx=8mm, dy=8mm, dz=5mm

Reference Value = 22.086 V/m; Power Drift = -0.05 dB

Peak SAR (extrapolated) = 0.831 mW/g

SAR(1 g) = 0.572 mW/g; SAR(10 g) = 0.353 mW/g

Maximum value of SAR (measured) = 0.604 mW/g



0 dB = 0.604 mW/g = -4.38 dB mW/g

#12_WCDMA IV_RMC 12.2Kbps_Edge 1_1.2cm_Ch1312

DUT: 322823-02

Communication System: WCDMA; Frequency: 1712.4 MHz; Duty Cycle: 1:1

Medium: MSL_1750_130424 Medium parameters used: $f = 1712.4$ MHz; $\sigma = 1.46$ mho/m; $\epsilon_r = 52.349$; ρ

$= 1000$ kg/m³

Ambient Temperature : 22.5 °C; Liquid Temperature : 21.5 °C

DASY5 Configuration:

- Probe: ET3DV6 - SN1787; ConvF(4.81, 4.81, 4.81); Calibrated: 2012/5/29;
- Sensor-Surface: 4mm (Mechanical Surface Detection)
- Electronics: DAE4 Sn910; Calibrated: 2012/12/5
- Phantom: ELI v4.0; Type: QDOVA001BB; Serial: TP:1127
- Measurement SW: DASY52, Version 52.8 (3); SEMCAD X Version 14.6.5 (6469)

Configuration/Ch1312/Area Scan (41x91x1): Measurement grid: dx=15mm, dy=15mm
 Maximum value of SAR (interpolated) = 0.530 mW/g

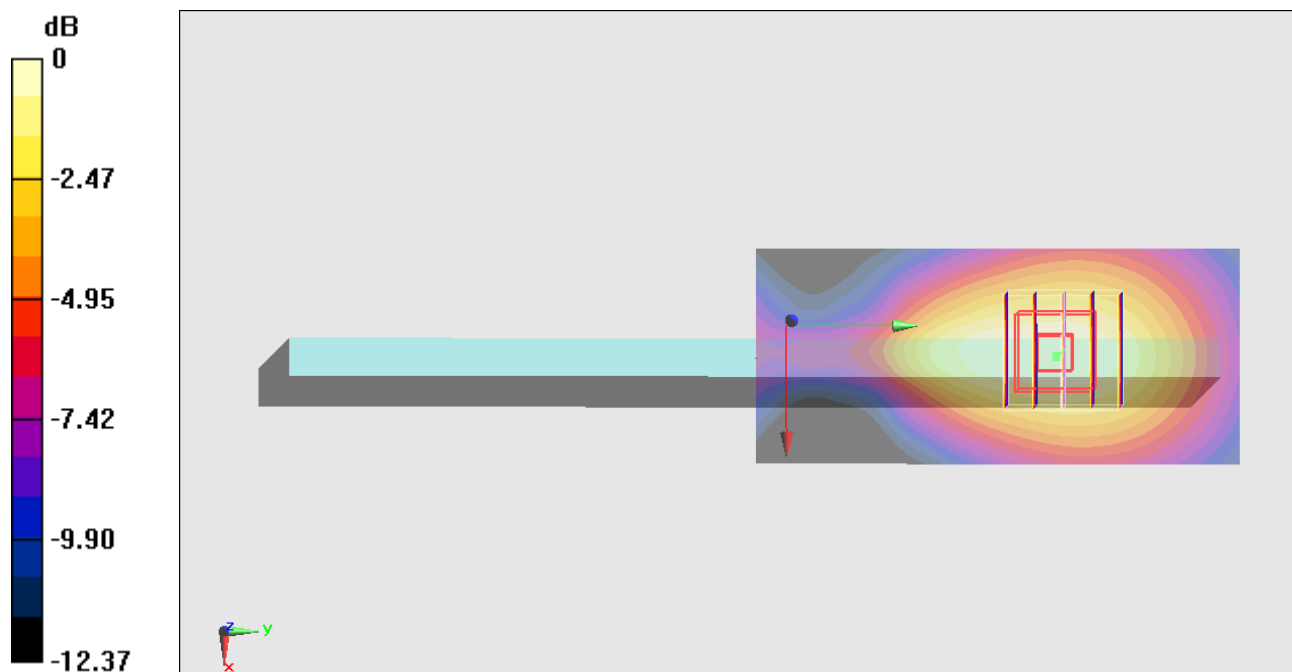
Configuration/Ch1312/Zoom Scan (5x5x7)/Cube 0: Measurement grid: dx=8mm, dy=8mm, dz=5mm

Reference Value = 20.650 V/m; Power Drift = 0.01 dB

Peak SAR (extrapolated) = 0.634 mW/g

SAR(1 g) = 0.482 mW/g; SAR(10 g) = 0.320 mW/g

Maximum value of SAR (measured) = 0.523 mW/g



0 dB = 0.523 mW/g = -5.63 dB mW/g

#57_WCDMA IV_RMC 12.2Kbps_Edge 2_0cm_Ch1312

DUT: 322823-02

Communication System: WCDMA; Frequency: 1712.4 MHz; Duty Cycle: 1:1

Medium: MSL_1750_130424 Medium parameters used: $f = 1712.4$ MHz; $\sigma = 1.46$ mho/m; $\epsilon_r = 52.349$; ρ

$= 1000$ kg/m³

Ambient Temperature : 22.5 °C; Liquid Temperature : 21.5 °C

DASY5 Configuration:

- Probe: ET3DV6 - SN1787; ConvF(4.81, 4.81, 4.81); Calibrated: 2012/5/29;
- Sensor-Surface: 4mm (Mechanical Surface Detection)
- Electronics: DAE4 Sn910; Calibrated: 2012/12/5
- Phantom: ELI v4.0; Type: QDOVA001BB; Serial: TP:1127
- Measurement SW: DASY52, Version 52.8 (3); SEMCAD X Version 14.6.5 (6469)

Configuration/Ch1312/Area Scan (41x131x1): Measurement grid: dx=15mm, dy=15mm
 Maximum value of SAR (interpolated) = 0.720 mW/g

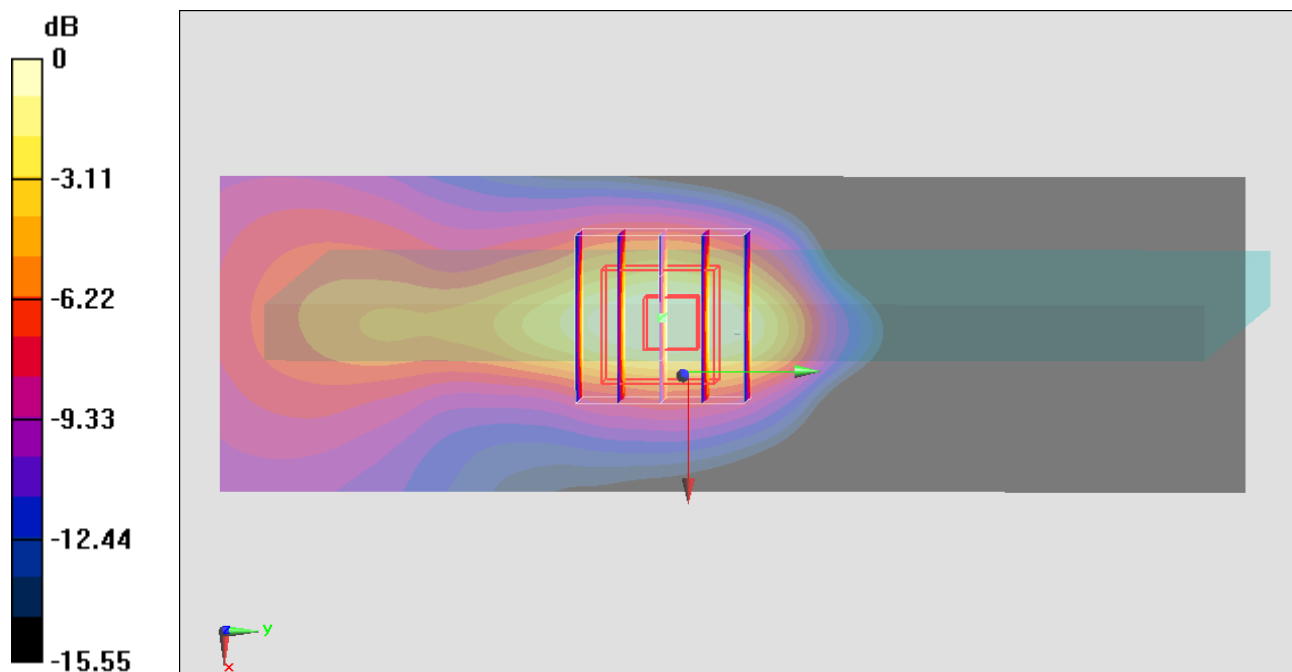
Configuration/Ch1312/Zoom Scan (5x5x7)/Cube 0: Measurement grid: dx=8mm, dy=8mm, dz=5mm

Reference Value = 23.209 V/m; Power Drift = -0.02 dB

Peak SAR (extrapolated) = 0.893 mW/g

SAR(1 g) = 0.58 mW/g; SAR(10 g) = 0.333 mW/g

Maximum value of SAR (measured) = 0.655 mW/g



0 dB = 0.655 mW/g = -3.68 dB mW/g

#13_WCDMA IV_RMC 12.2Kbps_Bottom Face_0cm_Ch1312

DUT: 322823-02

Communication System: WCDMA; Frequency: 1712.4 MHz; Duty Cycle: 1:1

Medium: MSL_1750_130424 Medium parameters used: $f = 1712.4$ MHz; $\sigma = 1.46$ mho/m; $\epsilon_r = 52.349$; ρ

$= 1000$ kg/m³

Ambient Temperature : 22.5 °C; Liquid Temperature : 21.5 °C

DASY5 Configuration:

- Probe: ET3DV6 - SN1787; ConvF(4.81, 4.81, 4.81); Calibrated: 2012/5/29;
- Sensor-Surface: 4mm (Mechanical Surface Detection)
- Electronics: DAE4 Sn910; Calibrated: 2012/12/5
- Phantom: ELI v4.0; Type: QDOVA001BB; Serial: TP:1127
- Measurement SW: DASY52, Version 52.8 (3); SEMCAD X Version 14.6.5 (6469)

Configuration/Ch1312/Area Scan (51x91x1): Measurement grid: dx=15mm, dy=15mm
Maximum value of SAR (interpolated) = 0.700 mW/g

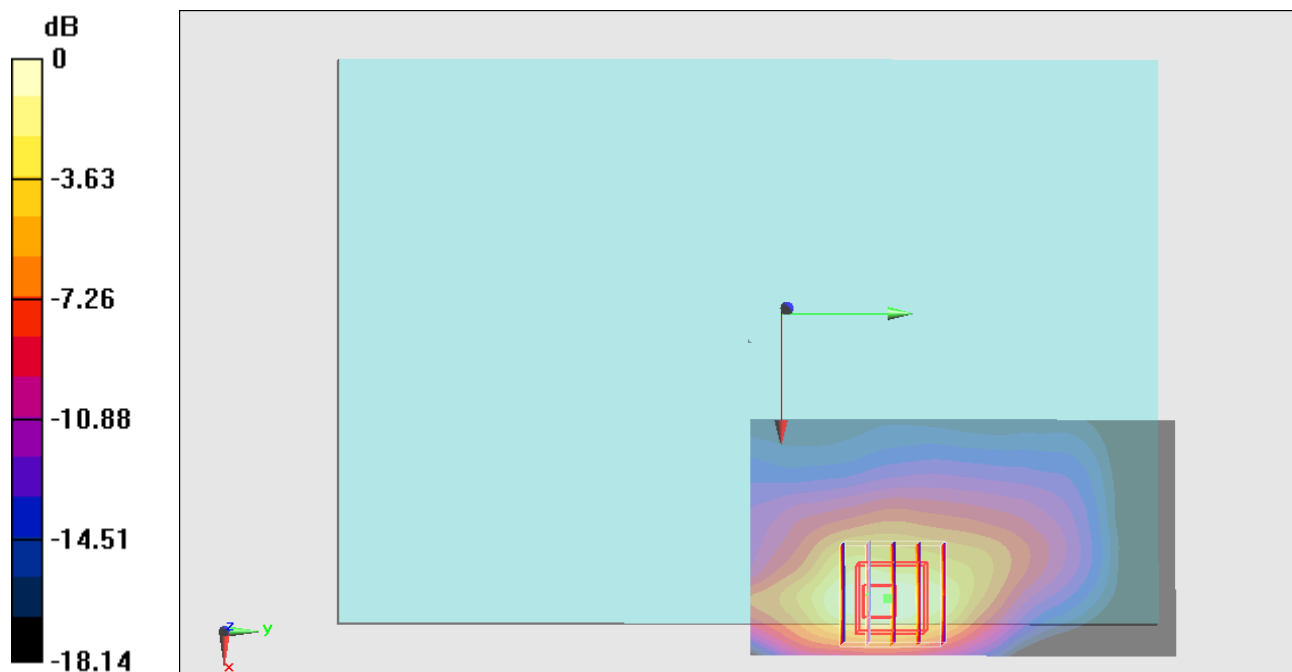
Configuration/Ch1312/Zoom Scan (5x5x7)/Cube 0: Measurement grid: dx=8mm, dy=8mm, dz=5mm

Reference Value = 22.628 V/m; Power Drift = -0.12 dB

Peak SAR (extrapolated) = 0.942 mW/g

SAR(1 g) = 0.547 mW/g; SAR(10 g) = 0.287 mW/g

Maximum value of SAR (measured) = 0.604 mW/g



0 dB = 0.604 mW/g = -4.38 dB mW/g

#53_WCDMA IV_RMC 12.2Kbps_Bottom Face_0cm_Ch1413

DUT: 322823-02

Communication System: WCDMA; Frequency: 1732.6 MHz; Duty Cycle: 1:1

Medium: MSL_1750_130424 Medium parameters used: $f = 1733$ MHz; $\sigma = 1.482$ mho/m; $\epsilon_r = 52.325$; ρ

$= 1000$ kg/m³

Ambient Temperature : 22.5 °C; Liquid Temperature : 21.5 °C

DASY5 Configuration:

- Probe: ET3DV6 - SN1787; ConvF(4.81, 4.81, 4.81); Calibrated: 2012/5/29;
- Sensor-Surface: 4mm (Mechanical Surface Detection)
- Electronics: DAE4 Sn910; Calibrated: 2012/12/5
- Phantom: ELI v4.0; Type: QDOVA001BB; Serial: TP:1127
- Measurement SW: DASY52, Version 52.8 (3); SEMCAD X Version 14.6.5 (6469)

Configuration/Ch1413/Area Scan (51x91x1): Measurement grid: dx=15mm, dy=15mm
Maximum value of SAR (interpolated) = 0.541 mW/g

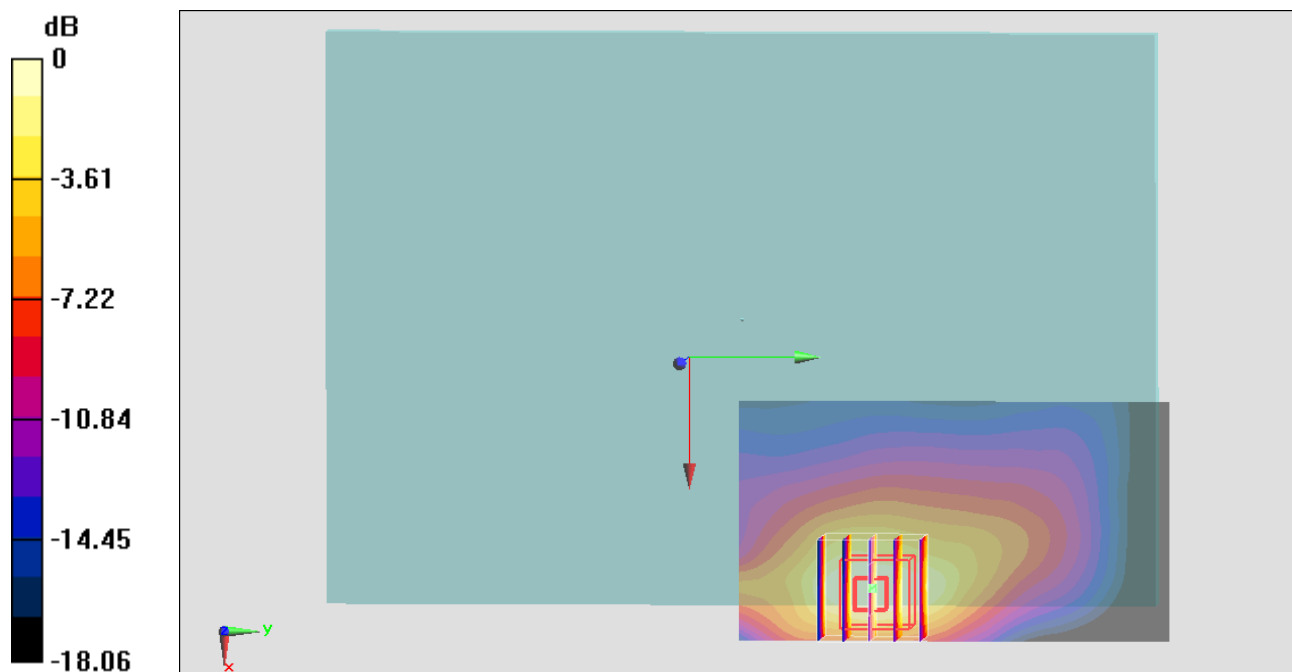
Configuration/Ch1413/Zoom Scan (5x5x7)/Cube 0: Measurement grid: dx=8mm, dy=8mm, dz=5mm

Reference Value = 20.000 V/m; Power Drift = -0.16 dB

Peak SAR (extrapolated) = 0.770 mW/g

SAR(1 g) = 0.447 mW/g; SAR(10 g) = 0.238 mW/g

Maximum value of SAR (measured) = 0.465 mW/g



0 dB = 0.465 mW/g = -6.65 dB mW/g

#54_WCDMA IV_RMC 12.2Kbps_Bottom Face_0cm_Ch1513

DUT: 322823-02

Communication System: WCDMA; Frequency: 1752.6 MHz; Duty Cycle: 1:1

Medium: MSL_1750_130424 Medium parameters used: $f = 1753$ MHz; $\sigma = 1.505$ mho/m; $\epsilon_r = 52.307$; ρ

$= 1000$ kg/m³

Ambient Temperature : 22.5 °C; Liquid Temperature : 21.5 °C

DASY5 Configuration:

- Probe: ET3DV6 - SN1787; ConvF(4.81, 4.81, 4.81); Calibrated: 2012/5/29;
- Sensor-Surface: 4mm (Mechanical Surface Detection)
- Electronics: DAE4 Sn910; Calibrated: 2012/12/5
- Phantom: ELI v4.0; Type: QDOVA001BB; Serial: TP:1127
- Measurement SW: DASY52, Version 52.8 (3); SEMCAD X Version 14.6.5 (6469)

Configuration/Ch1513/Area Scan (51x91x1): Measurement grid: dx=15mm, dy=15mm
Maximum value of SAR (interpolated) = 0.530 mW/g

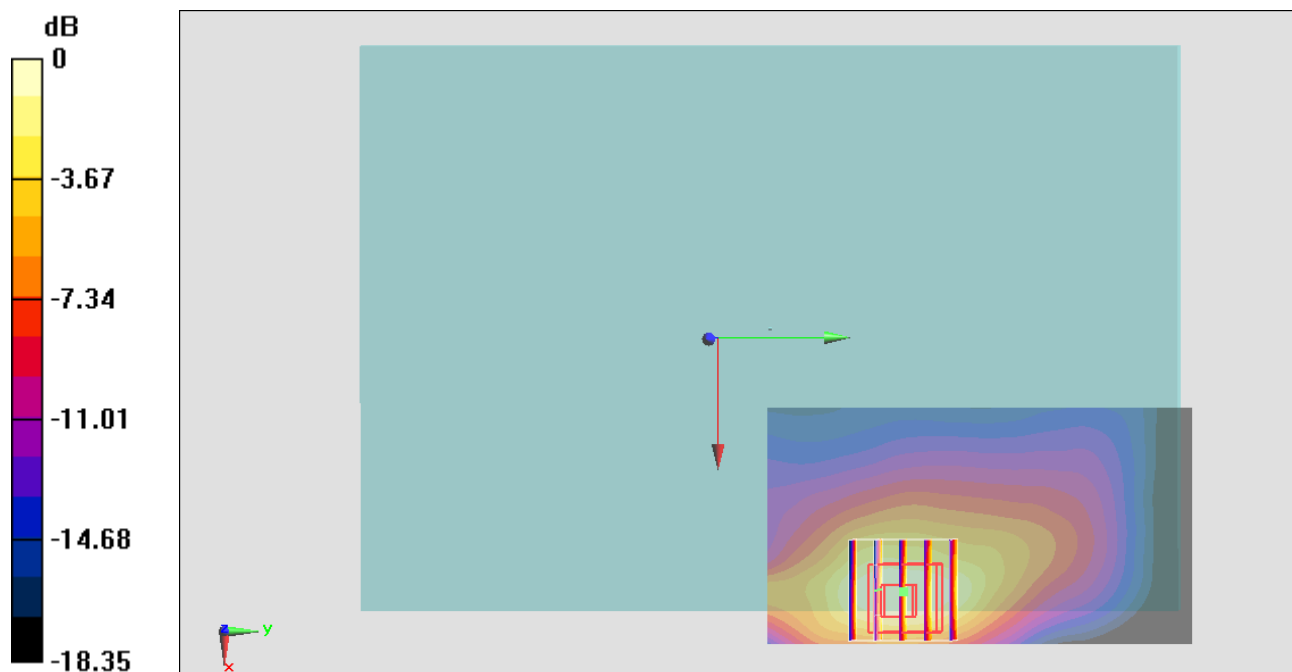
Configuration/Ch1513/Zoom Scan (5x5x7)/Cube 0: Measurement grid: dx=8mm, dy=8mm, dz=5mm

Reference Value = 19.585 V/m; Power Drift = -0.14 dB

Peak SAR (extrapolated) = 0.760 mW/g

SAR(1 g) = 0.442 mW/g; SAR(10 g) = 0.234 mW/g

Maximum value of SAR (measured) = 0.454 mW/g



0 dB = 0.454 mW/g = -6.86 dB mW/g

#14_WCDMA IV_RMC 12.2Kbps_Edge 1_0cm_Ch1312

DUT: 322823-02

Communication System: WCDMA; Frequency: 1712.4 MHz; Duty Cycle: 1:1

Medium: MSL_1750_130424 Medium parameters used: $f = 1712.4$ MHz; $\sigma = 1.46$ mho/m; $\epsilon_r = 52.349$; ρ

$= 1000$ kg/m³

Ambient Temperature : 22.5 °C ; Liquid Temperature : 21.5 °C

DASY5 Configuration:

- Probe: ET3DV6 - SN1787; ConvF(4.81, 4.81, 4.81); Calibrated: 2012/5/29;
- Sensor-Surface: 4mm (Mechanical Surface Detection)
- Electronics: DAE4 Sn910; Calibrated: 2012/12/5
- Phantom: ELI v4.0; Type: QDOVA001BB; Serial: TP:1127
- Measurement SW: DASY52, Version 52.8 (3); SEMCAD X Version 14.6.5 (6469)

Configuration/Ch1312/Area Scan (41x91x1): Measurement grid: dx=15mm, dy=15mm
Maximum value of SAR (interpolated) = 0.449 mW/g

Configuration/Ch1312/Zoom Scan (5x5x7)/Cube 0: Measurement grid: dx=8mm, dy=8mm, dz=5mm

Reference Value = 19.129 V/m; Power Drift = 0.06 dB

Peak SAR (extrapolated) = 0.662 mW/g

SAR(1 g) = 0.378 mW/g; SAR(10 g) = 0.185 mW/g

Maximum value of SAR (measured) = 0.462 mW/g

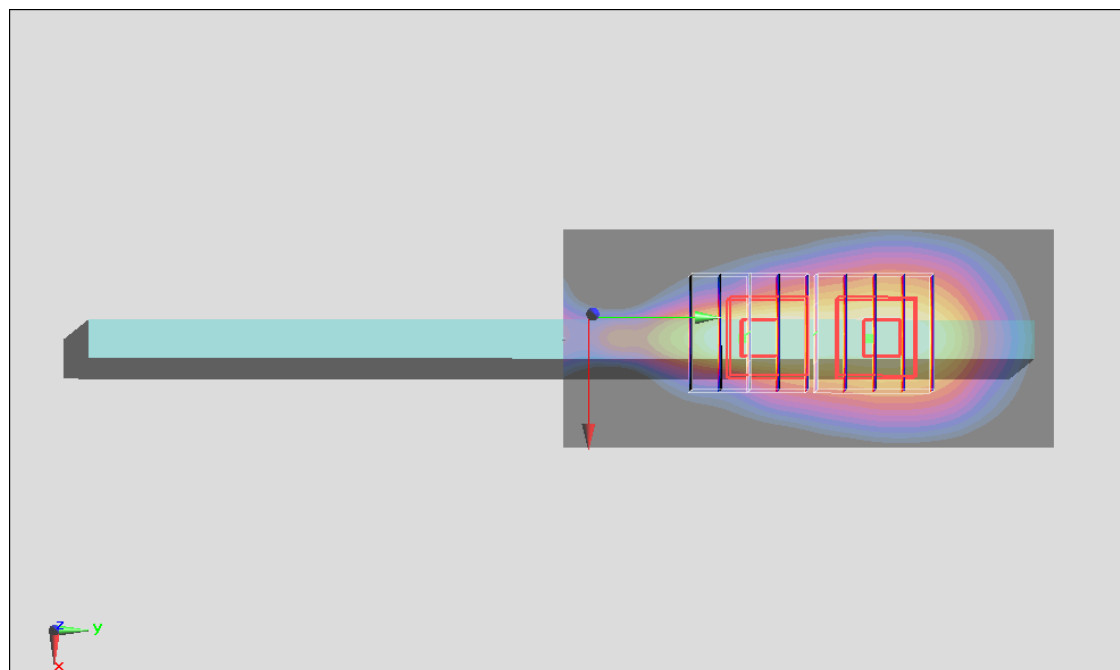
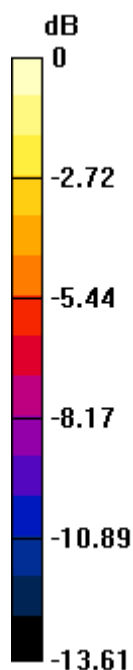
Configuration/Ch1312/Zoom Scan (5x5x7)/Cube 1: Measurement grid: dx=8mm, dy=8mm, dz=5mm

Reference Value = 19.129 V/m; Power Drift = 0.06 dB

Peak SAR (extrapolated) = 0.467 mW/g

SAR(1 g) = 0.283 mW/g; SAR(10 g) = 0.169 mW/g

Maximum value of SAR (measured) = 0.326 mW/g



0 dB = 0.326 mW/g = -9.74 dB mW/g

#15_WCDMA IV_RMC 12.2Kbps_Curved surface of Edge1_0cm_Ch1312

DUT: 322823-02

Communication System: WCDMA; Frequency: 1712.4 MHz; Duty Cycle: 1:1

Medium: MSL_1750_130424 Medium parameters used: $f = 1712.4$ MHz; $\sigma = 1.46$ mho/m; $\epsilon_r = 52.349$; ρ

$= 1000$ kg/m³

Ambient Temperature : 22.5 °C; Liquid Temperature : 21.5 °C

DASY5 Configuration:

- Probe: ET3DV6 - SN1787; ConvF(4.81, 4.81, 4.81); Calibrated: 2012/5/29;
- Sensor-Surface: 4mm (Mechanical Surface Detection)
- Electronics: DAE4 Sn910; Calibrated: 2012/12/5
- Phantom: ELI v4.0; Type: QDOVA001BB; Serial: TP:1127
- Measurement SW: DASY52, Version 52.8 (3); SEMCAD X Version 14.6.5 (6469)

Configuration/Ch1312/Area Scan (61x91x1): Measurement grid: dx=15mm, dy=15mm
 Maximum value of SAR (interpolated) = 0.647 mW/g

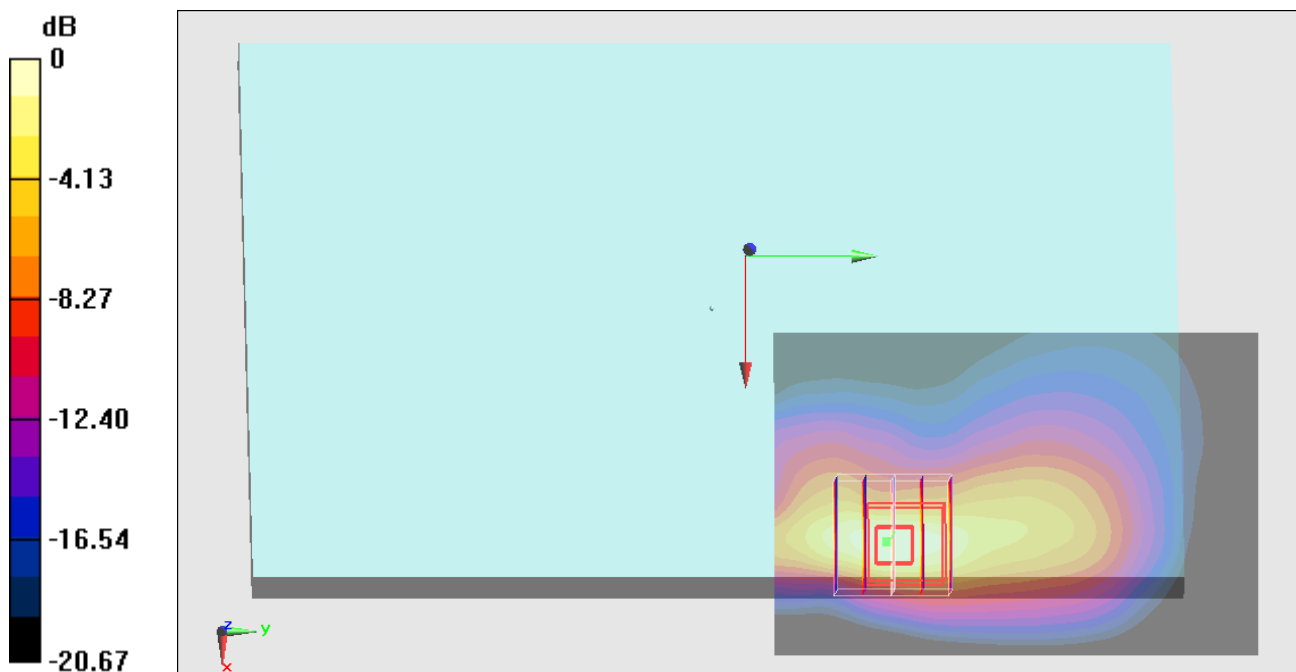
Configuration/Ch1312/Zoom Scan (5x5x7)/Cube 0: Measurement grid: dx=8mm, dy=8mm, dz=5mm

Reference Value = 22.388 V/m; Power Drift = -0.10 dB

Peak SAR (extrapolated) = 0.836 mW/g

SAR(1 g) = 0.481 mW/g; SAR(10 g) = 0.230 mW/g

Maximum value of SAR (measured) = 0.587 mW/g



0 dB = 0.587 mW/g = -4.63 dB mW/g

#06_WCDMA II_RMC 12.2Kbps_Bottom Face_1cm_Ch9400

DUT: 322823-02

Communication System: WCDMA; Frequency: 1880 MHz; Duty Cycle: 1:1

Medium: MSL_1900_130423 Medium parameters used: $f = 1880$ MHz; $\sigma = 1.513$ mho/m; $\epsilon_r = 52.954$; ρ

$= 1000$ kg/m³

Ambient Temperature : 22.5 °C; Liquid Temperature : 21.5 °C

DASY5 Configuration:

- Probe: ET3DV6 - SN1787; ConvF(4.58, 4.58, 4.58); Calibrated: 2012/5/29;
- Sensor-Surface: 4mm (Mechanical Surface Detection)
- Electronics: DAE4 Sn910; Calibrated: 2012/12/5
- Phantom: ELI v4.0; Type: QDOVA001BB; Serial: TP:1127
- Measurement SW: DASY52, Version 52.8 (3); SEMCAD X Version 14.6.5 (6469)

Configuration/Ch9400/Area Scan (51x91x1): Measurement grid: dx=15mm, dy=15mm
 Maximum value of SAR (interpolated) = 0.669 mW/g

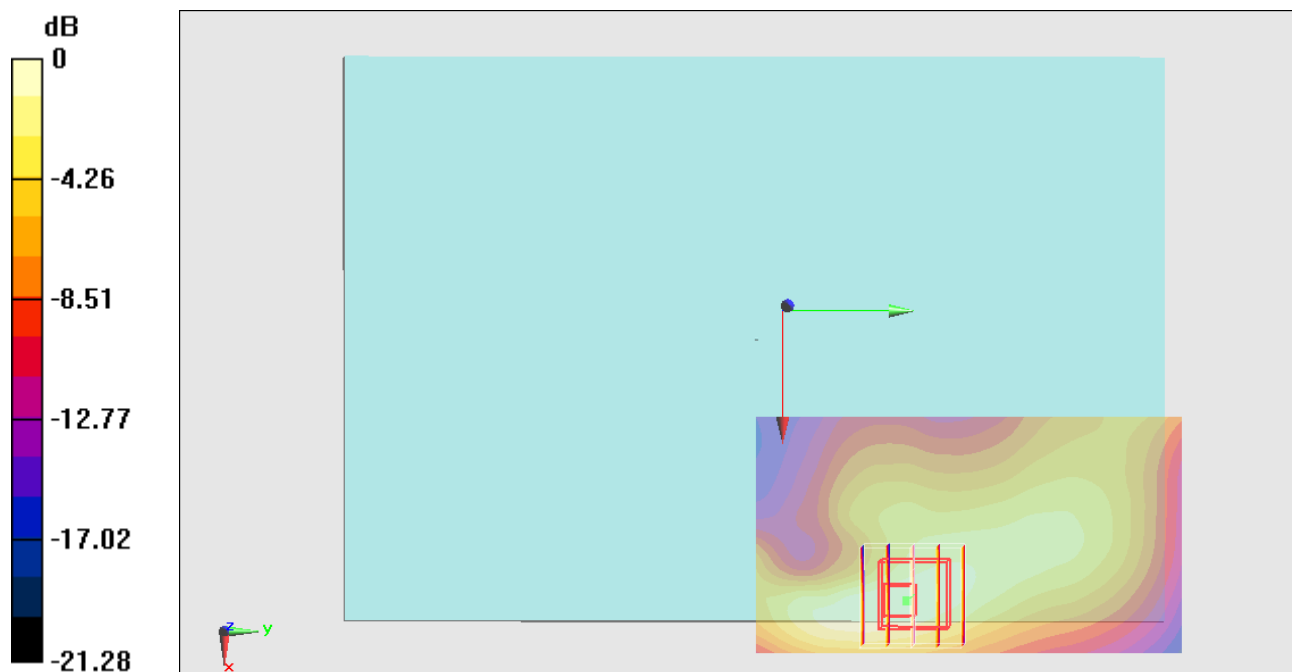
Configuration/Ch9400/Zoom Scan (5x5x7)/Cube 0: Measurement grid: dx=8mm, dy=8mm, dz=5mm

Reference Value = 22.554 V/m; Power Drift = 0.02 dB

Peak SAR (extrapolated) = 0.878 mW/g

SAR(1 g) = 0.580 mW/g; SAR(10 g) = 0.340 mW/g

Maximum value of SAR (measured) = 0.647 mW/g



0 dB = 0.647 mW/g = -3.78 dB mW/g

#07_WCDMA II_RMC 12.2Kbps_Edge 1_1.2cm_Ch9400

DUT: 322823-02

Communication System: WCDMA; Frequency: 1880 MHz; Duty Cycle: 1:1

Medium: MSL_1900_130423 Medium parameters used: $f = 1880$ MHz; $\sigma = 1.513$ mho/m; $\epsilon_r = 52.954$; ρ

$= 1000$ kg/m³

Ambient Temperature : 22.5 °C ; Liquid Temperature : 21.5 °C

DASY5 Configuration:

- Probe: ET3DV6 - SN1787; ConvF(4.58, 4.58, 4.58); Calibrated: 2012/5/29;
- Sensor-Surface: 4mm (Mechanical Surface Detection)
- Electronics: DAE4 Sn910; Calibrated: 2012/12/5
- Phantom: ELI v4.0; Type: QDOVA001BB; Serial: TP:1127
- Measurement SW: DASY52, Version 52.8 (3); SEMCAD X Version 14.6.5 (6469)

Configuration/Ch9400/Area Scan (41x91x1): Measurement grid: dx=15mm, dy=15mm
 Maximum value of SAR (interpolated) = 0.540 mW/g

Configuration/Ch9400/Zoom Scan (5x5x7)/Cube 0: Measurement grid: dx=8mm, dy=8mm, dz=5mm

Reference Value = 20.378 V/m; Power Drift = -0.02 dB

Peak SAR (extrapolated) = 0.712 mW/g

SAR(1 g) = 0.473 mW/g; SAR(10 g) = 0.272 mW/g

Maximum value of SAR (measured) = 0.526 mW/g

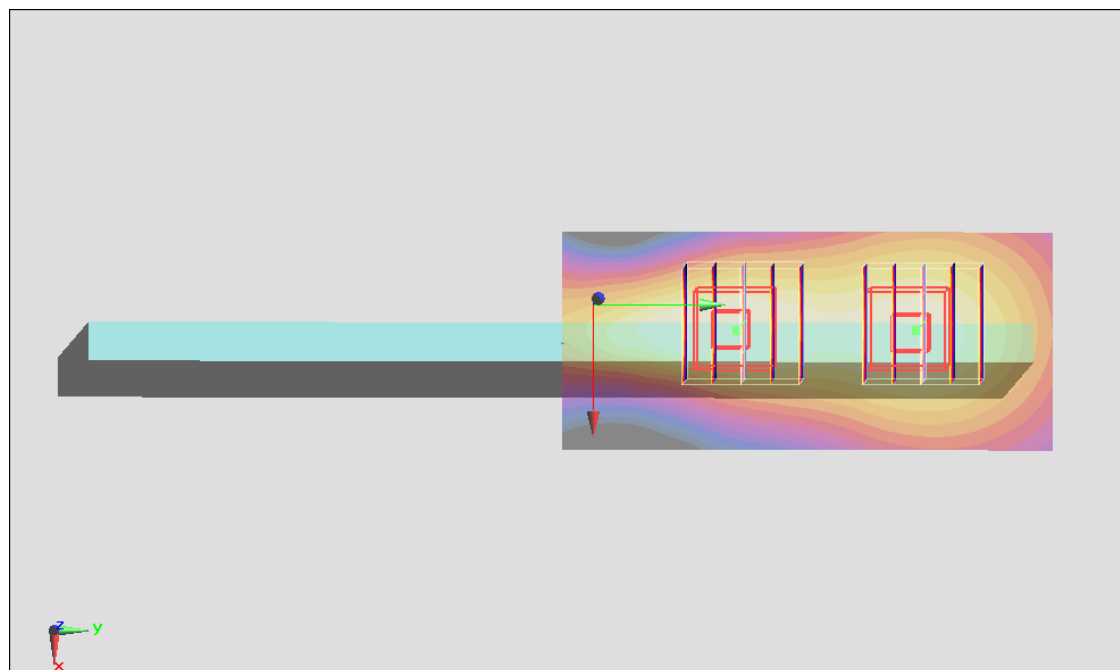
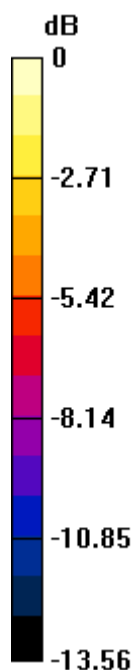
Configuration/Ch9400/Zoom Scan (5x5x7)/Cube 1: Measurement grid: dx=8mm, dy=8mm, dz=5mm

Reference Value = 20.378 V/m; Power Drift = -0.02 dB

Peak SAR (extrapolated) = 0.543 mW/g

SAR(1 g) = 0.382 mW/g; SAR(10 g) = 0.242 mW/g

Maximum value of SAR (measured) = 0.413 mW/g



0 dB = 0.413 mW/g = -7.68 dB mW/g

#60_WCDMA II_RMC 12.2Kbps_Edge 2_0cm_Ch9400

DUT: 322823-02

Communication System: WCDMA; Frequency: 1880 MHz; Duty Cycle: 1:1

Medium: MSL_1900_130423 Medium parameters used: $f = 1880$ MHz; $\sigma = 1.513$ mho/m; $\epsilon_r = 52.954$; ρ

$= 1000$ kg/m³

Ambient Temperature : 22.5 °C; Liquid Temperature : 21.5 °C

DASY5 Configuration:

- Probe: ET3DV6 - SN1787; ConvF(4.58, 4.58, 4.58); Calibrated: 2012/5/29;
- Sensor-Surface: 4mm (Mechanical Surface Detection)
- Electronics: DAE4 Sn910; Calibrated: 2012/12/5
- Phantom: ELI v4.0; Type: QDOVA001BB; Serial: TP:1127
- Measurement SW: DASY52, Version 52.8 (3); SEMCAD X Version 14.6.5 (6469)

Configuration/Ch9400/Area Scan (41x131x1): Measurement grid: dx=15mm, dy=15mm
Maximum value of SAR (interpolated) = 0.848 mW/g

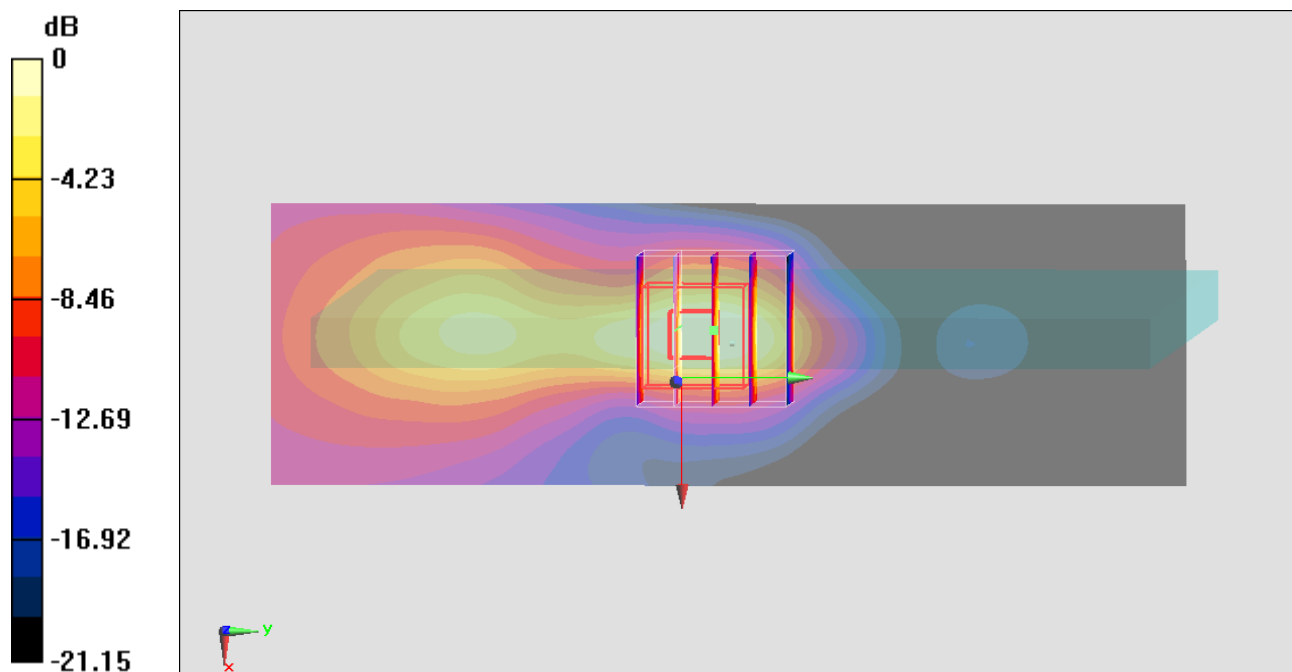
Configuration/Ch9400/Zoom Scan (5x5x7)/Cube 0: Measurement grid: dx=8mm, dy=8mm, dz=5mm

Reference Value = 24.808 V/m; Power Drift = -0.04 dB

Peak SAR (extrapolated) = 1.176 mW/g

SAR(1 g) = 0.707 mW/g; SAR(10 g) = 0.344 mW/g

Maximum value of SAR (measured) = 0.771 mW/g



0 dB = 0.771 mW/g = -2.26 dB mW/g

#61_WCDMA II_RMC 12.2Kbps_Edge 2_0cm_Ch9262

DUT: 322823-02

Communication System: WCDMA; Frequency: 1852.4 MHz; Duty Cycle: 1:1

Medium: MSL_1900_130423 Medium parameters used: $f = 1852.4$ MHz; $\sigma = 1.49$ mho/m; $\epsilon_r = 53.057$; ρ

$= 1000$ kg/m³

Ambient Temperature : 22.5 °C; Liquid Temperature : 21.5 °C

DASY5 Configuration:

- Probe: ET3DV6 - SN1787; ConvF(4.58, 4.58, 4.58); Calibrated: 2012/5/29;
- Sensor-Surface: 4mm (Mechanical Surface Detection)
- Electronics: DAE4 Sn910; Calibrated: 2012/12/5
- Phantom: ELI v4.0; Type: QDOVA001BB; Serial: TP:1127
- Measurement SW: DASY52, Version 52.8 (3); SEMCAD X Version 14.6.5 (6469)

Configuration/Ch9262/Area Scan (41x131x1): Measurement grid: dx=15mm, dy=15mm
Maximum value of SAR (interpolated) = 0.817 mW/g

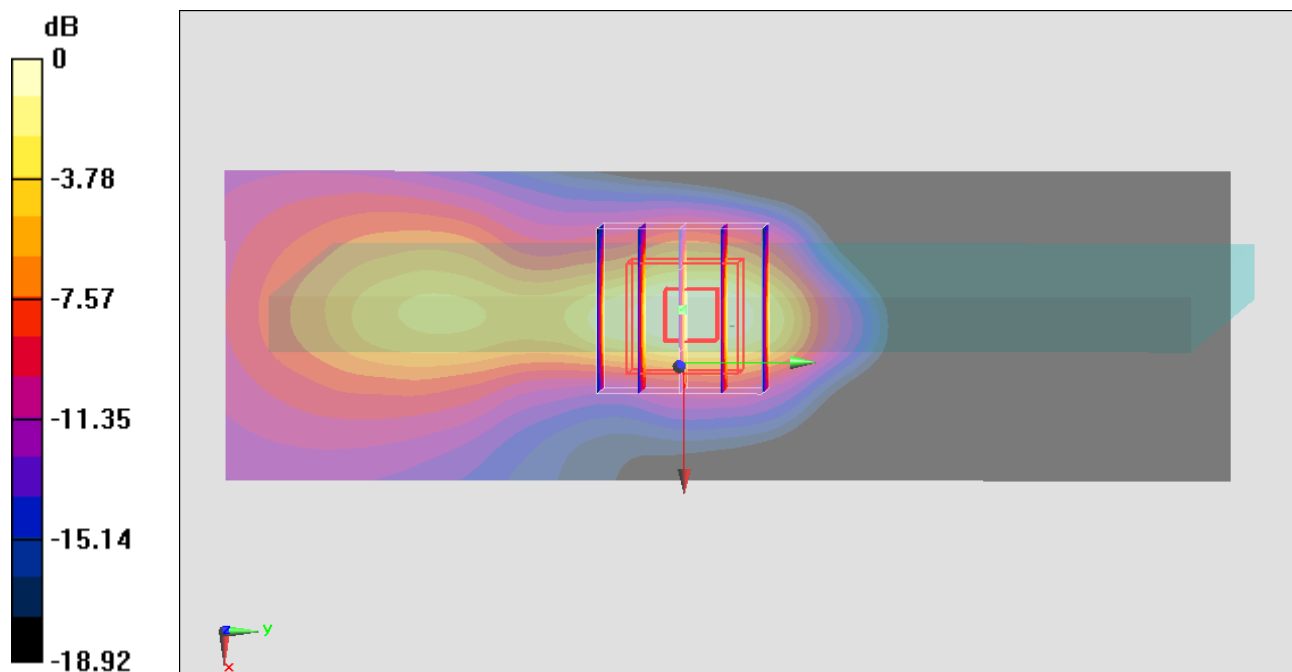
Configuration/Ch9262/Zoom Scan (5x5x7)/Cube 0: Measurement grid: dx=8mm, dy=8mm, dz=5mm

Reference Value = 25.316 V/m; Power Drift = 0.00 dB

Peak SAR (extrapolated) = 1.170 mW/g

SAR(1 g) = 0.706 mW/g; SAR(10 g) = 0.348 mW/g

Maximum value of SAR (measured) = 0.787 mW/g



0 dB = 0.787 mW/g = -2.08 dB mW/g

#62_WCDMA II_RMC 12.2Kbps_Edge 2_0cm_Ch9538

DUT: 322823-02

Communication System: WCDMA; Frequency: 1907.6 MHz; Duty Cycle: 1:1

Medium: MSL_1900_130423 Medium parameters used: $f = 1908$ MHz; $\sigma = 1.538$ mho/m; $\epsilon_r = 52.824$; ρ

$= 1000$ kg/m³

Ambient Temperature : 22.5 °C; Liquid Temperature : 21.5 °C

DASY5 Configuration:

- Probe: ET3DV6 - SN1787; ConvF(4.58, 4.58, 4.58); Calibrated: 2012/5/29;
- Sensor-Surface: 4mm (Mechanical Surface Detection)
- Electronics: DAE4 Sn910; Calibrated: 2012/12/5
- Phantom: ELI v4.0; Type: QDOVA001BB; Serial: TP:1127
- Measurement SW: DASY52, Version 52.8 (3); SEMCAD X Version 14.6.5 (6469)

Configuration/Ch9538/Area Scan (41x131x1): Measurement grid: dx=15mm, dy=15mm
Maximum value of SAR (interpolated) = 0.750 mW/g

Configuration/Ch9538/Zoom Scan (5x5x7)/Cube 0: Measurement grid: dx=8mm, dy=8mm, dz=5mm

Reference Value = 23.298 V/m; Power Drift = 0.00 dB

Peak SAR (extrapolated) = 1.073 mW/g

SAR(1 g) = 0.620 mW/g; SAR(10 g) = 0.287 mW/g

Maximum value of SAR (measured) = 0.700 mW/g

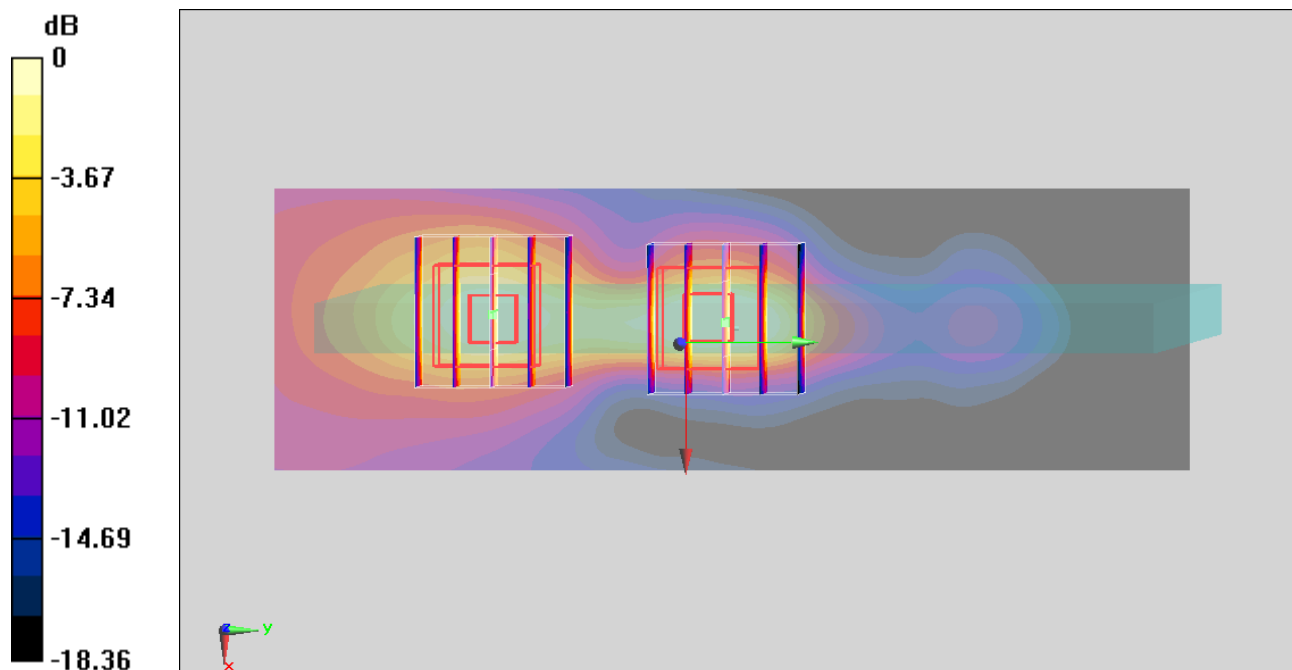
Configuration/Ch9538/Zoom Scan (5x5x7)/Cube 1: Measurement grid: dx=8mm, dy=8mm, dz=5mm

Reference Value = 23.298 V/m; Power Drift = 0.00 dB

Peak SAR (extrapolated) = 0.823 mW/g

SAR(1 g) = 0.471 mW/g; SAR(10 g) = 0.243 mW/g

Maximum value of SAR (measured) = 0.522 mW/g



0 dB = 0.522 mW/g = -5.65 dB mW/g

#08_WCDMA II_RMC 12.2Kbps_Bottom Face_0cm_Ch9400

DUT: 322823-02

Communication System: WCDMA; Frequency: 1880 MHz; Duty Cycle: 1:1

Medium: MSL_1900_130423 Medium parameters used: $f = 1880$ MHz; $\sigma = 1.513$ mho/m; $\epsilon_r = 52.954$; ρ

$= 1000$ kg/m³

Ambient Temperature : 22.5 °C; Liquid Temperature : 21.5 °C

DASY5 Configuration:

- Probe: ET3DV6 - SN1787; ConvF(4.58, 4.58, 4.58); Calibrated: 2012/5/29;
- Sensor-Surface: 4mm (Mechanical Surface Detection)
- Electronics: DAE4 Sn910; Calibrated: 2012/12/5
- Phantom: ELI v4.0; Type: QDOVA001BB; Serial: TP:1127
- Measurement SW: DASY52, Version 52.8 (3); SEMCAD X Version 14.6.5 (6469)

Configuration/Ch9400/Area Scan (51x91x1): Measurement grid: dx=15mm, dy=15mm
 Maximum value of SAR (interpolated) = 0.927 mW/g

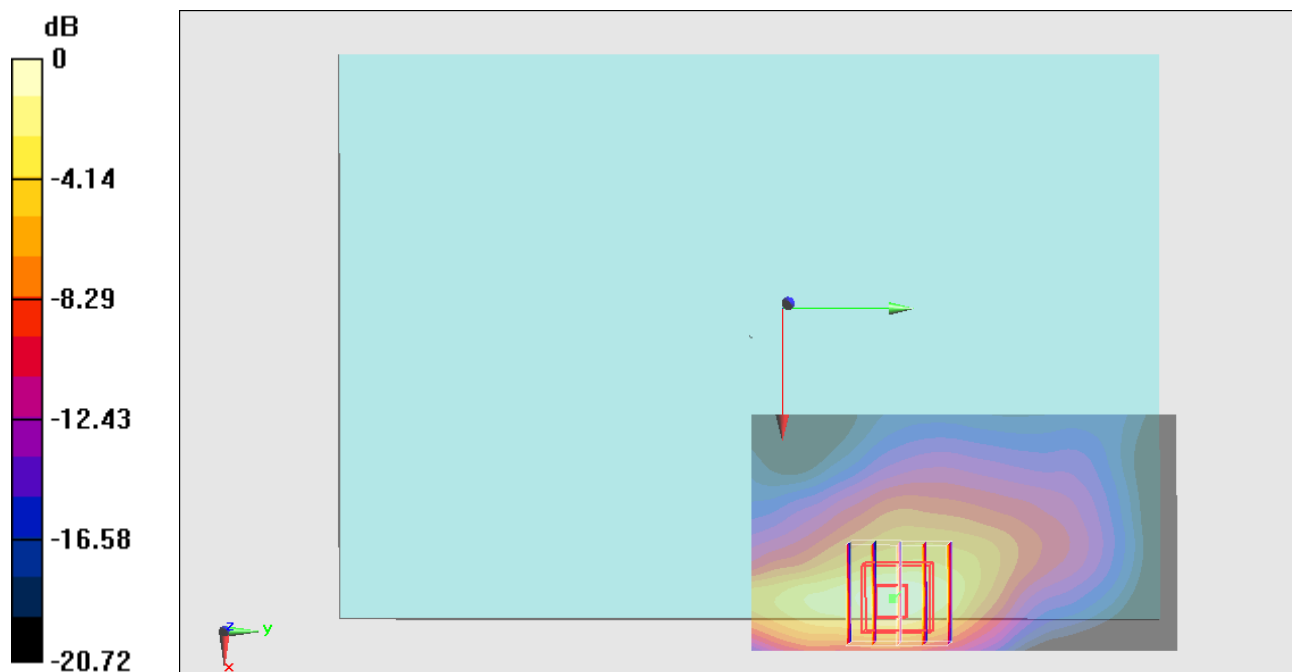
Configuration/Ch9400/Zoom Scan (5x5x7)/Cube 0: Measurement grid: dx=8mm, dy=8mm, dz=5mm

Reference Value = 26.472 V/m; Power Drift = -0.09 dB

Peak SAR (extrapolated) = 1.331 mW/g

SAR(1 g) = 0.739 mW/g; SAR(10 g) = 0.362 mW/g

Maximum value of SAR (measured) = 0.851 mW/g



0 dB = 0.851 mW/g = -1.40 dB mW/g

#33_WCDMA II_RMC 12.2Kbps_Bottom Face_0cm_Ch9262

DUT: 322823-02

Communication System: WCDMA; Frequency: 1852.4 MHz; Duty Cycle: 1:1

Medium: MSL_1900_130423 Medium parameters used : $f = 1852.4 \text{ MHz}$; $\sigma = 1.49 \text{ mho/m}$; $\epsilon_r = 53.057$;

$\rho = 1000 \text{ kg/m}^3$

Ambient Temperature : $22.5 \text{ }^\circ\text{C}$; Liquid Temperature : $21.5 \text{ }^\circ\text{C}$

DASY5 Configuration:

- Probe: ET3DV6 - SN1787; ConvF(4.58, 4.58, 4.58); Calibrated: 2012/5/29;
- Sensor-Surface: 4mm (Mechanical Surface Detection)
- Electronics: DAE4 Sn910; Calibrated: 2012/12/5
- Phantom: ELI v4.0; Type: QDOVA001BB; Serial: TP:1127
- Measurement SW: DASY52, Version 52.8 (3); SEMCAD X Version 14.6.5 (6469)

Configuration/Ch9262/Area Scan (51x101x1): Measurement grid: $dx=15\text{mm}$, $dy=15\text{mm}$
 Maximum value of SAR (interpolated) = 0.792 mW/g

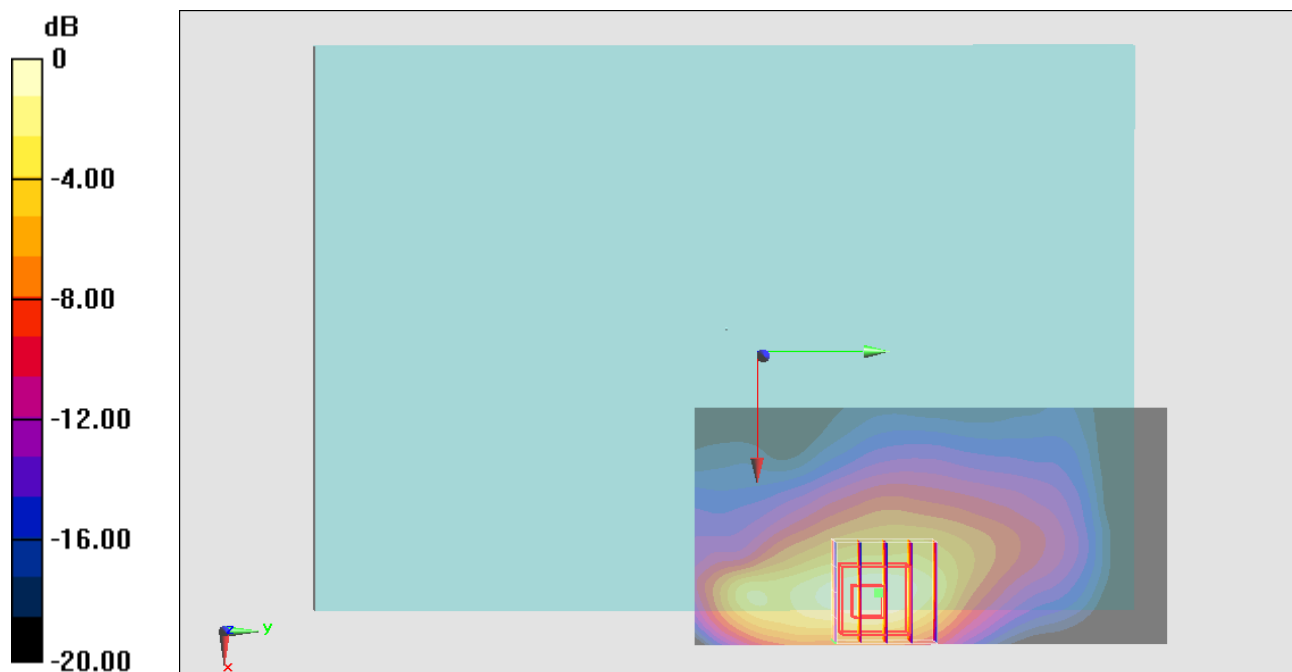
Configuration/Ch9262/Zoom Scan (5x5x7)/Cube 0: Measurement grid: $dx=8\text{mm}$, $dy=8\text{mm}$,
 $dz=5\text{mm}$

Reference Value = 24.444 V/m ; Power Drift = -0.11 dB

Peak SAR (extrapolated) = 1.191 mW/g

SAR(1 g) = 0.680 mW/g ; SAR(10 g) = 0.339 mW/g

Maximum value of SAR (measured) = 0.706 mW/g



0 dB = 0.706 mW/g = -3.02 dB mW/g

#34_WCDMA II_RMC 12.2Kbps_Bottom Face_0cm_Ch9538

DUT: 322823-02

Communication System: WCDMA; Frequency: 1907.6 MHz; Duty Cycle: 1:1

Medium: MSL_1900_130423 Medium parameters used: $f = 1908$ MHz; $\sigma = 1.538$ mho/m; $\epsilon_r = 52.824$; ρ

$= 1000$ kg/m³

Ambient Temperature : 22.5 °C; Liquid Temperature : 21.5 °C

DASY5 Configuration:

- Probe: ET3DV6 - SN1787; ConvF(4.58, 4.58, 4.58); Calibrated: 2012/5/29;
- Sensor-Surface: 4mm (Mechanical Surface Detection)
- Electronics: DAE4 Sn910; Calibrated: 2012/12/5
- Phantom: ELI v4.0; Type: QDOVA001BB; Serial: TP:1127
- Measurement SW: DASY52, Version 52.8 (3); SEMCAD X Version 14.6.5 (6469)

Configuration/Ch9538/Area Scan (51x101x1): Measurement grid: dx=15mm, dy=15mm
Maximum value of SAR (interpolated) = 0.781 mW/g

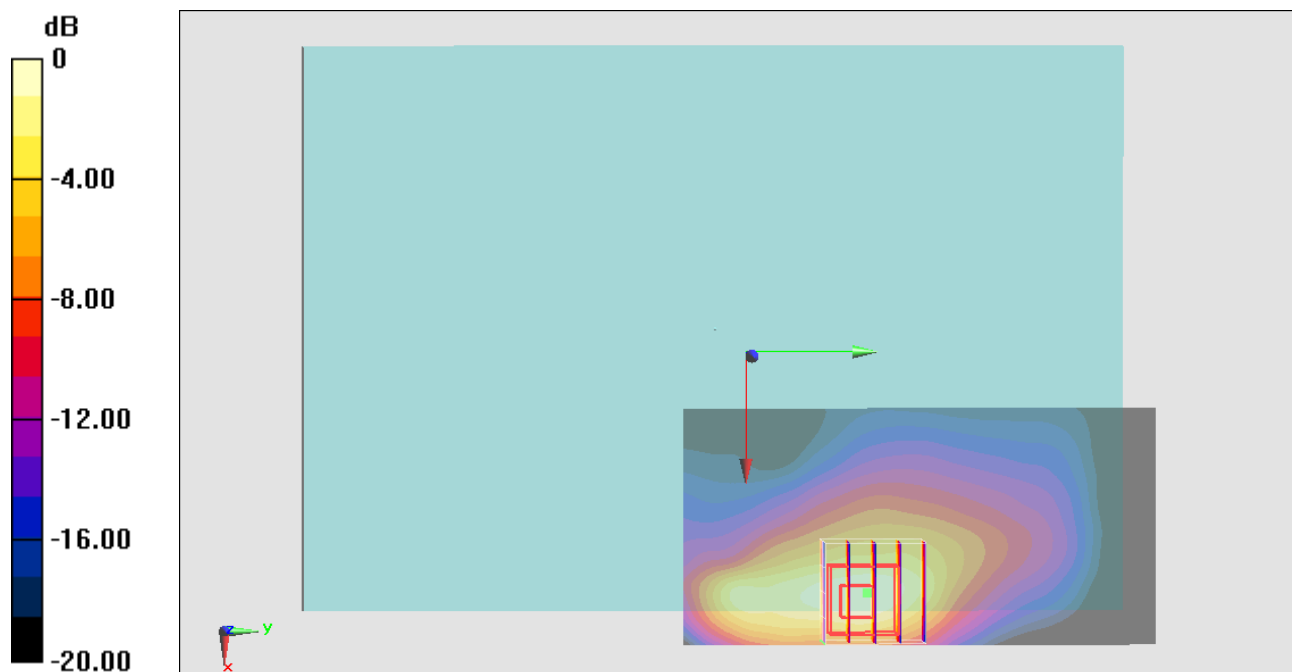
Configuration/Ch9538/Zoom Scan (5x5x7)/Cube 0: Measurement grid: dx=8mm, dy=8mm, dz=5mm

Reference Value = 23.985 V/m; Power Drift = -0.11 dB

Peak SAR (extrapolated) = 1.244 mW/g

SAR(1 g) = 0.678 mW/g; SAR(10 g) = 0.330 mW/g

Maximum value of SAR (measured) = 0.702 mW/g



0 dB = 0.702 mW/g = -3.07 dB mW/g

#09_WCDMA II_RMC 12.2Kbps_Edge 1_0cm_Ch9400

DUT: 322823-02

Communication System: WCDMA; Frequency: 1880 MHz; Duty Cycle: 1:1

Medium: MSL_1900_130423 Medium parameters used: $f = 1880$ MHz; $\sigma = 1.513$ mho/m; $\epsilon_r = 52.954$; ρ

$= 1000$ kg/m³

Ambient Temperature : 22.5 °C; Liquid Temperature : 21.5 °C

DASY5 Configuration:

- Probe: ET3DV6 - SN1787; ConvF(4.58, 4.58, 4.58); Calibrated: 2012/5/29;
- Sensor-Surface: 4mm (Mechanical Surface Detection)
- Electronics: DAE4 Sn910; Calibrated: 2012/12/5
- Phantom: ELI v4.0; Type: QDOVA001BB; Serial: TP:1127
- Measurement SW: DASY52, Version 52.8 (3); SEMCAD X Version 14.6.5 (6469)

Configuration/Ch9400/Area Scan (41x91x1): Measurement grid: dx=15mm, dy=15mm
 Maximum value of SAR (interpolated) = 0.931 mW/g

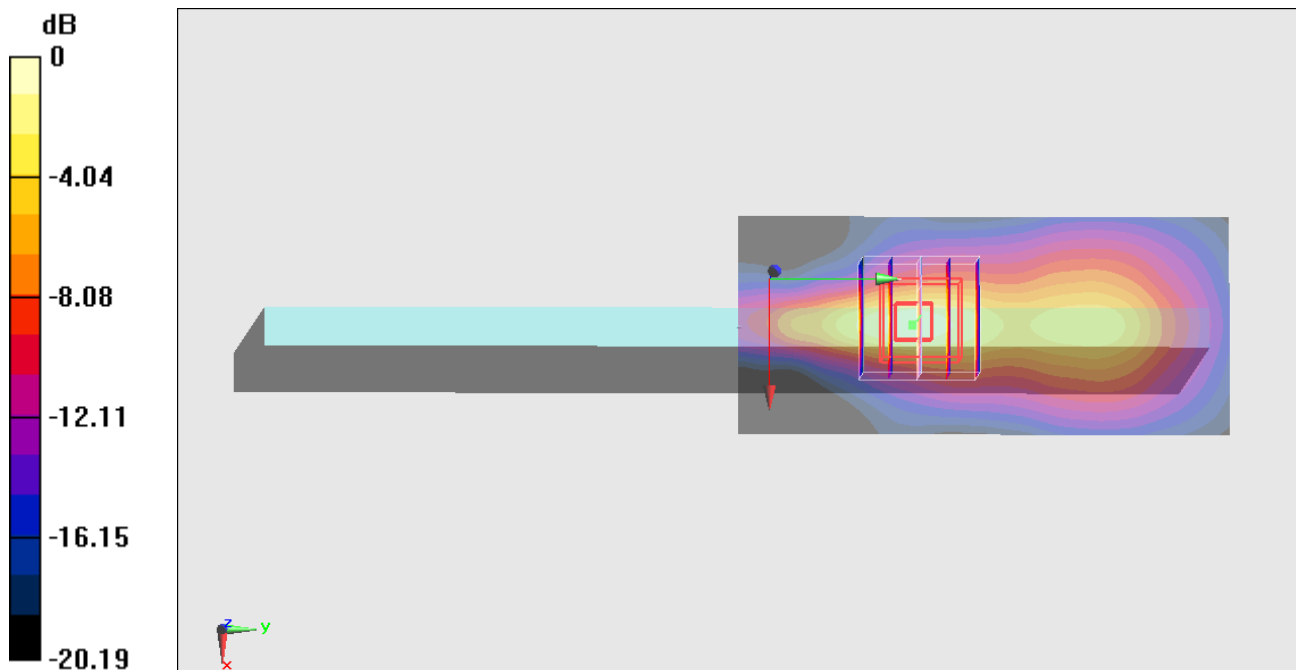
Configuration/Ch9400/Zoom Scan (5x5x7)/Cube 0: Measurement grid: dx=8mm, dy=8mm, dz=5mm

Reference Value = 26.574 V/m; Power Drift = 0.07 dB

Peak SAR (extrapolated) = 1.345 mW/g

SAR(1 g) = 0.747 mW/g; SAR(10 g) = 0.344 mW/g

Maximum value of SAR (measured) = 0.915 mW/g



0 dB = 0.915 mW/g = -0.77 dB mW/g

#35_WCDMA II_RMC 12.2Kbps_Edge 1_0cm_Ch9262

DUT: 322823-02

Communication System: WCDMA; Frequency: 1852.4 MHz; Duty Cycle: 1:1

Medium: MSL_1900_130423 Medium parameters used : $f = 1852.4$ MHz; $\sigma = 1.49$ mho/m; $\epsilon_r = 53.057$;

$\rho = 1000$ kg/m³

Ambient Temperature : 22.5 °C; Liquid Temperature : 21.5 °C

DASY5 Configuration:

- Probe: ET3DV6 - SN1787; ConvF(4.58, 4.58, 4.58); Calibrated: 2012/5/29;
- Sensor-Surface: 4mm (Mechanical Surface Detection)
- Electronics: DAE4 Sn910; Calibrated: 2012/12/5
- Phantom: ELI v4.0; Type: QDOVA001BB; Serial: TP:1127
- Measurement SW: DASY52, Version 52.8 (3); SEMCAD X Version 14.6.5 (6469)

Configuration/Ch9262/Area Scan (41x91x1): Measurement grid: dx=15mm, dy=15mm
Maximum value of SAR (interpolated) = 0.739 mW/g

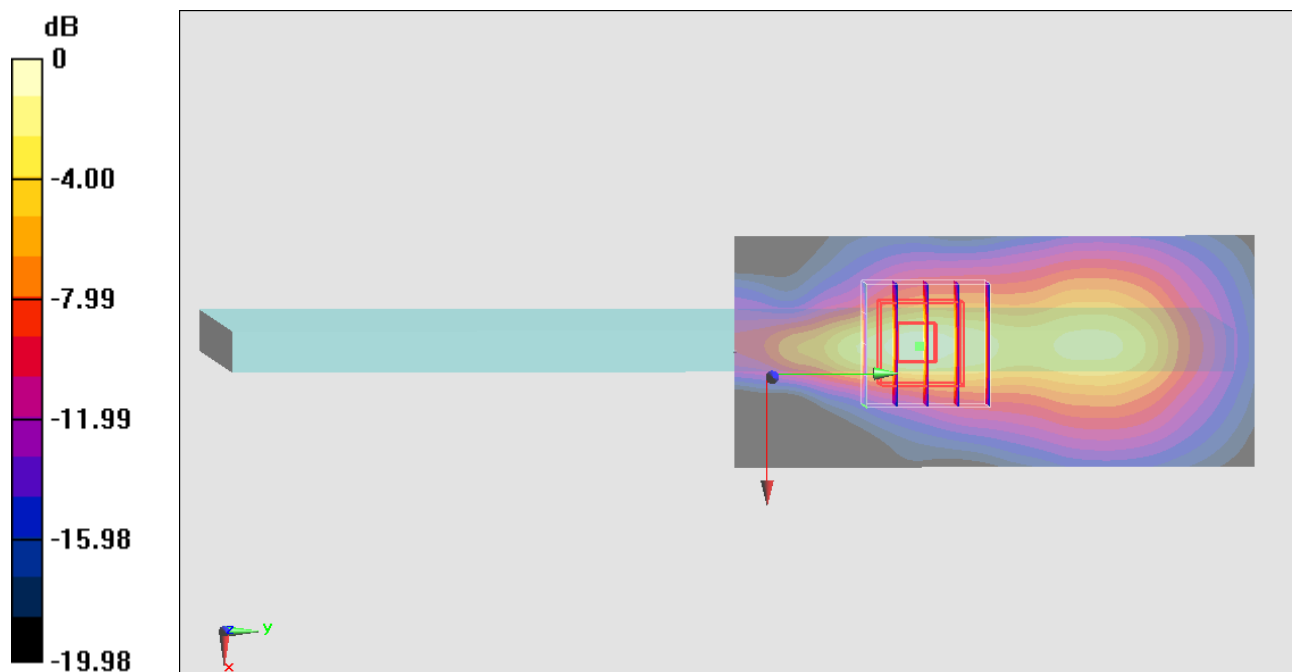
Configuration/Ch9262/Zoom Scan (5x5x7)/Cube 0: Measurement grid: dx=8mm, dy=8mm, dz=5mm

Reference Value = 24.539 V/m; Power Drift = 0.08 dB

Peak SAR (extrapolated) = 1.130 mW/g

SAR(1 g) = 0.641 mW/g; SAR(10 g) = 0.301 mW/g

Maximum value of SAR (measured) = 0.762 mW/g



0 dB = 0.762 mW/g = -2.36 dB mW/g

#36_WCDMA II_RMC 12.2Kbps_Edge 1_0cm_Ch9538

DUT: 322823-02

Communication System: WCDMA; Frequency: 1907.6 MHz; Duty Cycle: 1:1

Medium: MSL_1900_130423 Medium parameters used: $f = 1908$ MHz; $\sigma = 1.538$ mho/m; $\epsilon_r = 52.824$; ρ

$= 1000$ kg/m³

Ambient Temperature : 22.5 °C; Liquid Temperature : 21.5 °C

DASY5 Configuration:

- Probe: ET3DV6 - SN1787; ConvF(4.58, 4.58, 4.58); Calibrated: 2012/5/29;
- Sensor-Surface: 4mm (Mechanical Surface Detection)
- Electronics: DAE4 Sn910; Calibrated: 2012/12/5
- Phantom: ELI v4.0; Type: QDOVA001BB; Serial: TP:1127
- Measurement SW: DASY52, Version 52.8 (3); SEMCAD X Version 14.6.5 (6469)

Configuration/Ch9538/Area Scan (41x91x1): Measurement grid: dx=15mm, dy=15mm
 Maximum value of SAR (interpolated) = 0.860 mW/g

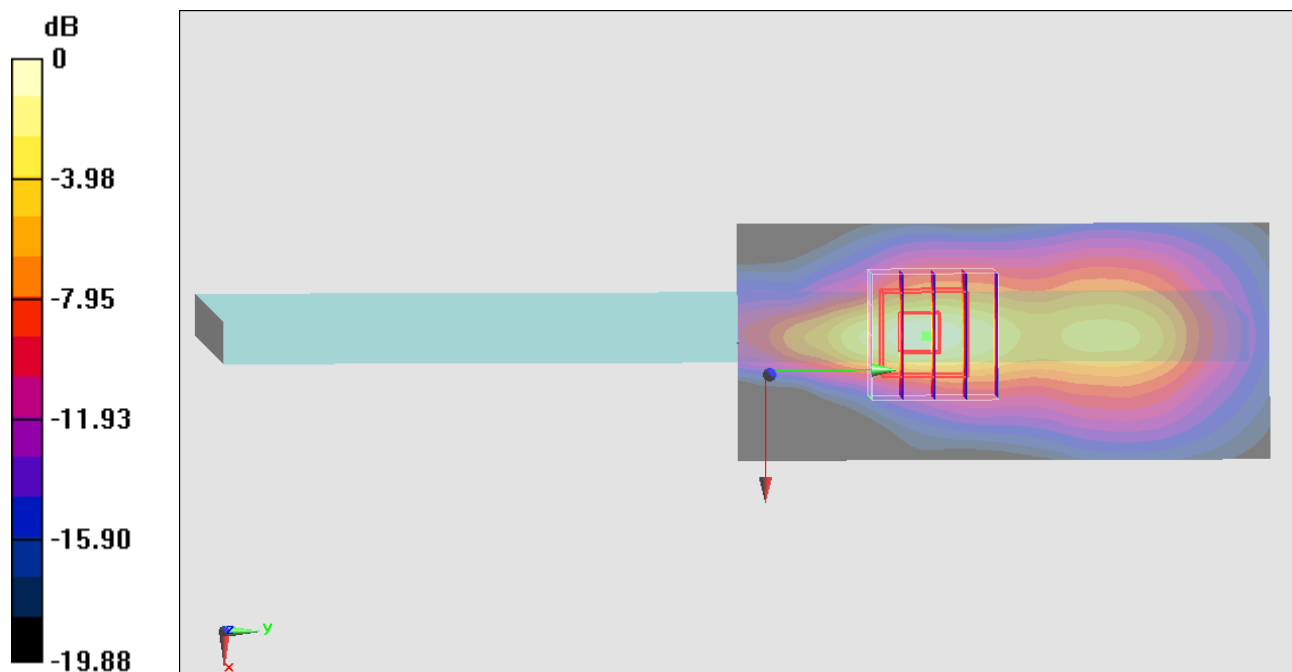
Configuration/Ch9538/Zoom Scan (5x5x7)/Cube 0: Measurement grid: dx=8mm, dy=8mm, dz=5mm

Reference Value = 25.867 V/m; Power Drift = 0.03 dB

Peak SAR (extrapolated) = 1.349 mW/g

SAR(1 g) = 0.737 mW/g; SAR(10 g) = 0.339 mW/g

Maximum value of SAR (measured) = 0.867 mW/g



0 dB = 0.867 mW/g = -1.24 dB mW/g

#10_WCDMA II_RMC 12.2Kbps_Curved surface of Edge1_0cm_Ch9400

DUT: 322823-02

Communication System: WCDMA; Frequency: 1880 MHz; Duty Cycle: 1:1

Medium: MSL_1900_130423 Medium parameters used: $f = 1880$ MHz; $\sigma = 1.513$ mho/m; $\epsilon_r = 52.954$; ρ

$= 1000$ kg/m³

Ambient Temperature : 22.5 °C; Liquid Temperature : 21.5 °C

DASY5 Configuration:

- Probe: ET3DV6 - SN1787; ConvF(4.58, 4.58, 4.58); Calibrated: 2012/5/29;
- Sensor-Surface: 4mm (Mechanical Surface Detection)
- Electronics: DAE4 Sn910; Calibrated: 2012/12/5
- Phantom: ELI v4.0; Type: QDOVA001BB; Serial: TP:1127
- Measurement SW: DASY52, Version 52.8 (3); SEMCAD X Version 14.6.5 (6469)

Configuration/Ch9400/Area Scan (61x91x1): Measurement grid: dx=15mm, dy=15mm
Maximum value of SAR (interpolated) = 1.12 mW/g

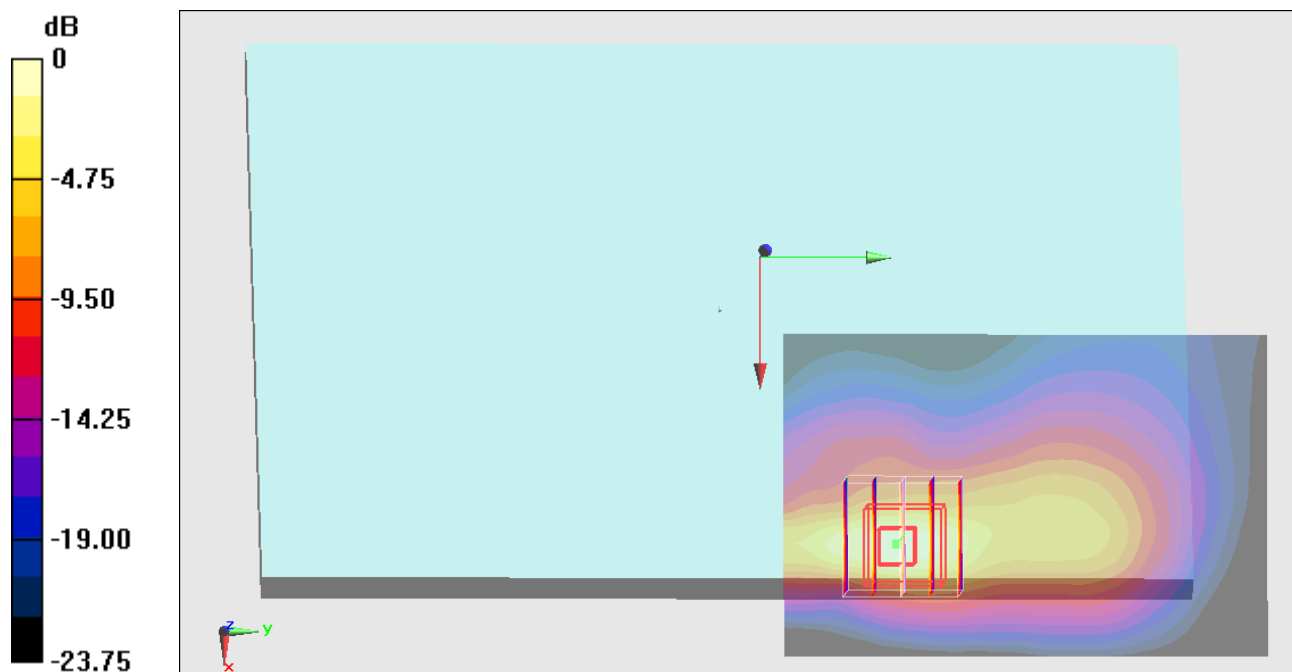
Configuration/Ch9400/Zoom Scan (5x5x7)/Cube 0: Measurement grid: dx=8mm, dy=8mm, dz=5mm

Reference Value = 28.940 V/m; Power Drift = -0.10 dB

Peak SAR (extrapolated) = 1.548 mW/g

SAR(1 g) = 0.844 mW/g; SAR(10 g) = 0.382 mW/g

Maximum value of SAR (measured) = 1.00 mW/g



0 dB = 1.00 mW/g = 0.00 dB mW/g

#37_WCDMA II_RMC 12.2Kbps_Curved surface of Edge1_0cm_Ch9262

DUT: 322823-02

Communication System: WCDMA; Frequency: 1852.4 MHz; Duty Cycle: 1:1

Medium: MSL_1900_130423 Medium parameters used : $f = 1852.4$ MHz; $\sigma = 1.49$ mho/m; $\epsilon_r = 53.057$;

$\rho = 1000$ kg/m³

Ambient Temperature : 22.5 °C ; Liquid Temperature : 21.5 °C

DASY5 Configuration:

- Probe: ET3DV6 - SN1787; ConvF(4.58, 4.58, 4.58); Calibrated: 2012/5/29;
- Sensor-Surface: 4mm (Mechanical Surface Detection)
- Electronics: DAE4 Sn910; Calibrated: 2012/12/5
- Phantom: ELI v4.0; Type: QDOVA001BB; Serial: TP:1127
- Measurement SW: DASY52, Version 52.8 (3); SEMCAD X Version 14.6.5 (6469)

Configuration/Ch9262/Area Scan (61x91x1): Measurement grid: dx=15mm, dy=15mm
Maximum value of SAR (interpolated) = 0.980 mW/g

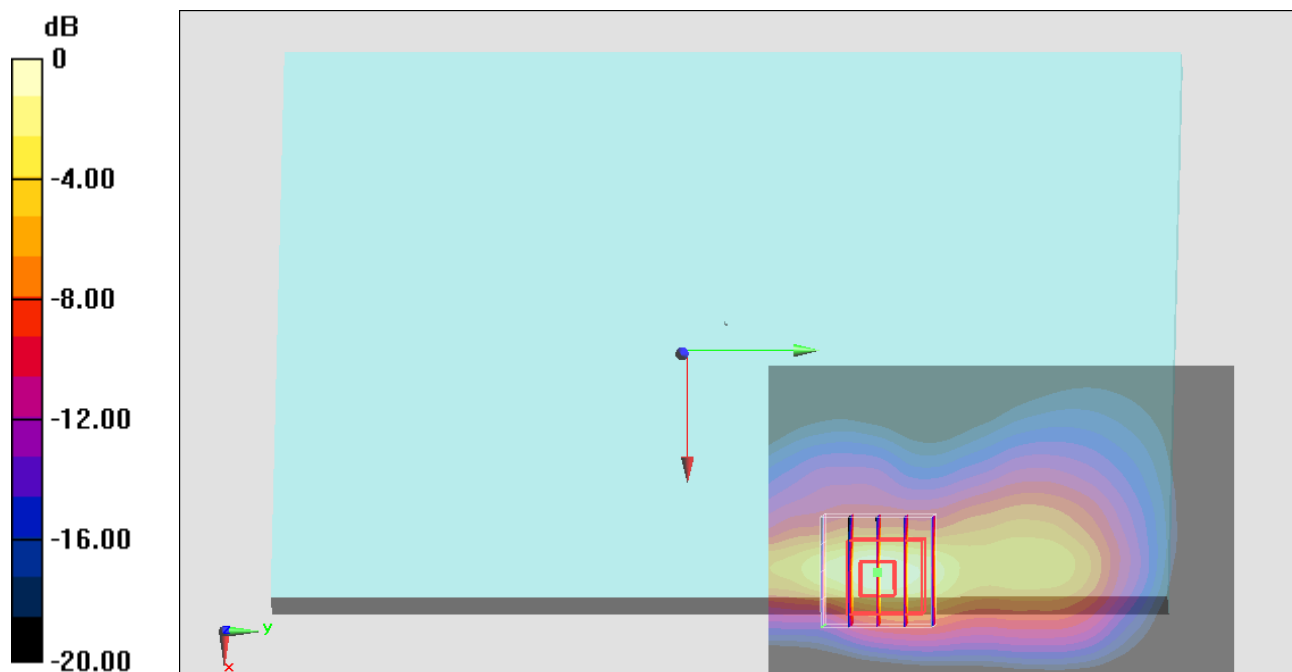
Configuration/Ch9262/Zoom Scan (5x5x7)/Cube 0: Measurement grid: dx=8mm, dy=8mm, dz=5mm

Reference Value = 27.592 V/m; Power Drift = -0.13 dB

Peak SAR (extrapolated) = 1.381 mW/g

SAR(1 g) = 0.775 mW/g; SAR(10 g) = 0.354 mW/g

Maximum value of SAR (measured) = 0.907 mW/g



0 dB = 0.907 mW/g = -0.85 dB mW/g

#38_WCDMA II_RMC 12.2Kbps_Curved surface of Edge1_0cm_Ch9538

DUT: 322823-02

Communication System: WCDMA; Frequency: 1907.6 MHz; Duty Cycle: 1:1

Medium: MSL_1900_130423 Medium parameters used: $f = 1908 \text{ MHz}$; $\sigma = 1.538 \text{ mho/m}$; $\epsilon_r = 52.824$; ρ

$= 1000 \text{ kg/m}^3$

Ambient Temperature : $22.5 \text{ }^\circ\text{C}$; Liquid Temperature : $21.5 \text{ }^\circ\text{C}$

DASY5 Configuration:

- Probe: ET3DV6 - SN1787; ConvF(4.58, 4.58, 4.58); Calibrated: 2012/5/29;
- Sensor-Surface: 4mm (Mechanical Surface Detection)
- Electronics: DAE4 Sn910; Calibrated: 2012/12/5
- Phantom: ELI v4.0; Type: QDOVA001BB; Serial: TP:1127
- Measurement SW: DASY52, Version 52.8 (3); SEMCAD X Version 14.6.5 (6469)

Configuration/Ch9538/Area Scan (61x91x1): Measurement grid: $dx=15\text{mm}$, $dy=15\text{mm}$
 Maximum value of SAR (interpolated) = 1.06 mW/g

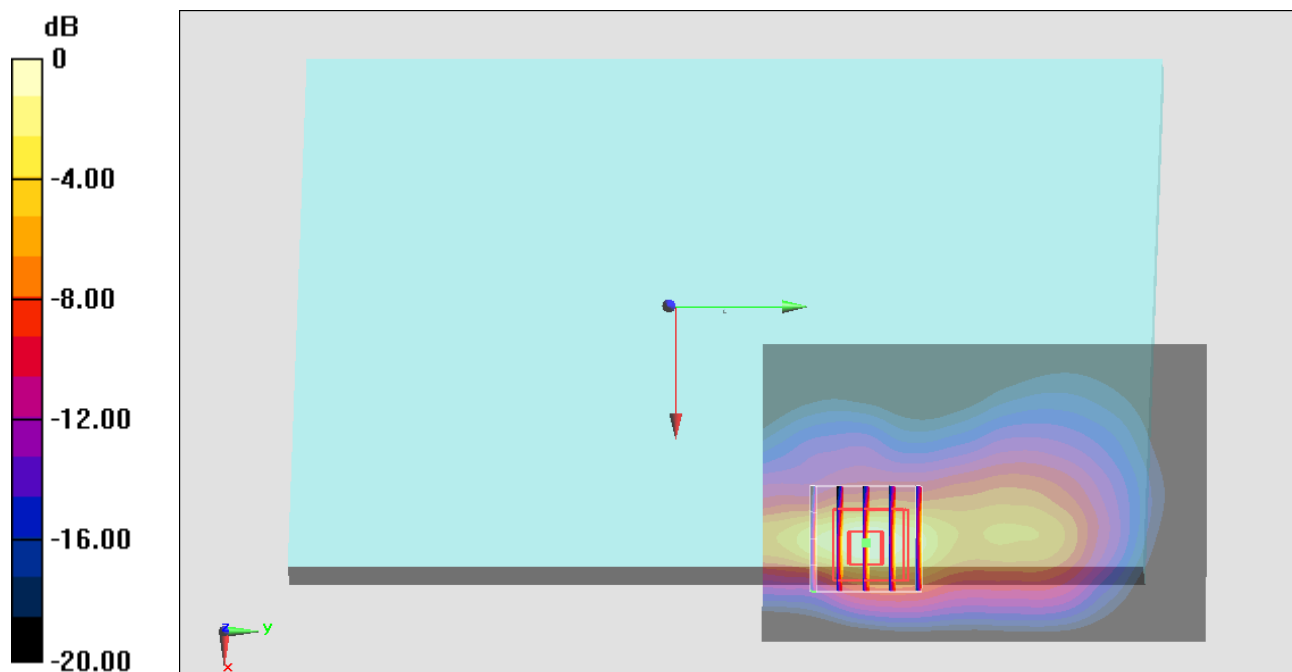
Configuration/Ch9538/Zoom Scan (5x5x7)/Cube 0: Measurement grid: $dx=8\text{mm}$, $dy=8\text{mm}$, $dz=5\text{mm}$

Reference Value = 28.266 V/m ; Power Drift = -0.11 dB

Peak SAR (extrapolated) = 1.522 mW/g

SAR(1 g) = 0.830 mW/g ; SAR(10 g) = 0.376 mW/g

Maximum value of SAR (measured) = 0.967 mW/g



0 dB = $0.967 \text{ mW/g} = -0.29 \text{ dB mW/g}$