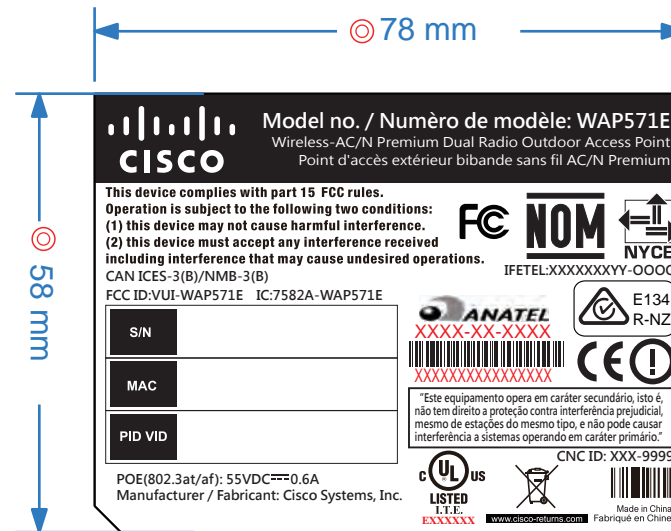
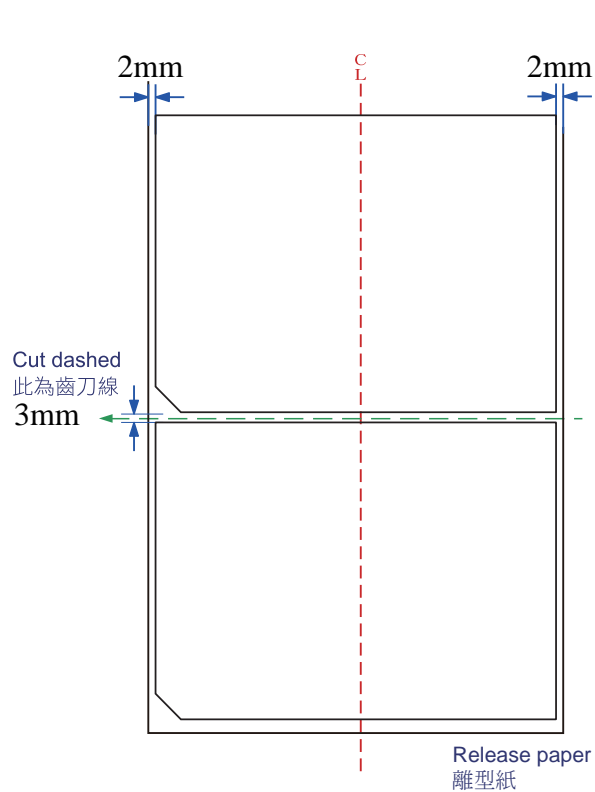


REV.	LTR	DATE	UPDATE	DESCRIPTION	REMARK	SIGN	APPROVER
△							

NOTES:

1. Material: 50番白麥拉(需過UL認證)
2. Adhesive: 壓克力膠
3. DIM: 78*58mm (+/-0.25mm) t=0.05 ; R1mm*3, C5mm*1
4. Print Color: Black
5. Back Groud Color: Pantone Black C

PID-A-B-N SKU (English+French)



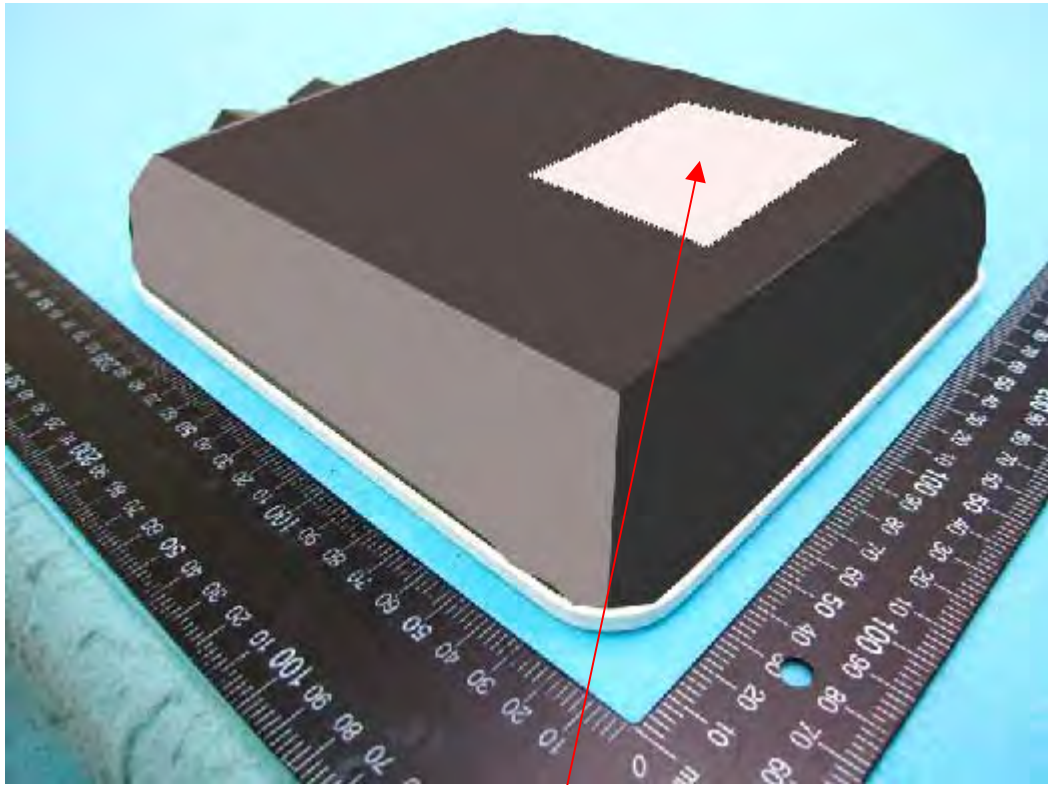
Printing Content for supplier
供應商印刷內容

SCALE: 1:1

- Pantone Black C
- Pantone Cool Gray 10C

R1mm

MATERIAL STRUCTURE		REMARK	ITEM	PART NAME	PART NO	Q'TY/SET	MATERIAL (SPEC.)	REMARK																																									
Material Made	Roll Up	<ol style="list-style-type: none"> 1. ◎ SYMBOL MEANS IMPORTANT SIZE. 2. □ SYMBOL MEANS IMPORTANT ITEM. 3. ▲ SYMBOL MEANS ILLUSTRATE. 4. THIS PART SHOULD NOT CONTAIN AND SUBSTANCES WHICH ARE SPECIFIED IN SPT-00001; SPT-00002 (WHEN SPECIFIED FOR HALOGEN FREE/ LOW HALOGEN) ISSUED BY PEGATRON. 5. — CUT LINE. 	50番白麥拉(需過UL認證)		PEGATRON Corporation DESCRIPTION BACK LABEL_WAP571E																																												
			<table border="1"> <thead> <tr> <th>SELECT</th> <th>v</th> <th>A</th> <th>B</th> <th>EXTRA</th> <th>UNIT</th> <th>SIZE</th> </tr> </thead> <tbody> <tr> <td>DIM</td> <td>tol</td> <td></td> <td></td> <td></td> <td>MM</td> <td>A 4</td> </tr> <tr> <td>~50</td> <td>± 0.05</td> <td>0.10</td> <td></td> <td></td> <td></td> <td></td> </tr> <tr> <td>51-100</td> <td>± 0.10</td> <td>0.20</td> <td>±0.20</td> <td></td> <td>SCALE</td> <td>1:1</td> </tr> <tr> <td>101-150</td> <td>± 0.20</td> <td>0.30</td> <td></td> <td></td> <td></td> <td></td> </tr> <tr> <td>151~</td> <td>± 0.20</td> <td>0.50</td> <td></td> <td></td> <td></td> <td></td> </tr> </tbody> </table>	SELECT	v	A	B	EXTRA	UNIT	SIZE	DIM	tol				MM	A 4	~50	± 0.05	0.10					51-100	± 0.10	0.20	±0.20		SCALE	1:1	101-150	± 0.20	0.30					151~	± 0.20	0.50					<table border="1"> <thead> <tr> <th>MODEL NO.</th> <th>DRAWING NO.</th> </tr> </thead> <tbody> <tr> <td>CISCO WAP571</td> <td>1510-1RUA000</td> </tr> </tbody> </table>	MODEL NO.	DRAWING NO.	CISCO WAP571
SELECT	v	A	B	EXTRA	UNIT	SIZE																																											
DIM	tol				MM	A 4																																											
~50	± 0.05	0.10																																															
51-100	± 0.10	0.20	±0.20		SCALE	1:1																																											
101-150	± 0.20	0.30																																															
151~	± 0.20	0.50																																															
MODEL NO.	DRAWING NO.																																																
CISCO WAP571	1510-1RUA000																																																
					DESIGNED	CHECKED	APPROVED																																										
					Shawn	Kenni	Carrie Huang																																										



Label Here