

## Wi-Fi 2.4GHz Band

Frequency: 2437 MHz; Duty Cycle: 1:1; Room Ambient Temperature: 24.0°C; Liquid Temperature: 23.5°C

Medium parameters used (interpolated):  $f = 2437$  MHz;  $\sigma = 1.891$  S/m;  $\epsilon_r = 54.093$ ;  $\rho = 1000$  kg/m<sup>3</sup>

DASY5 Configuration:

- Area Scan Setting - Find Secondary Maximum Within: 2.0 dB and with a peak SAR value greater than 0.0012W/kg
- Electronics: DAE4 Sn877; Calibrated: 2014/03/26
- Probe: EX3DV4 - SN3665; ConvF(7.22, 7.22, 7.22); Calibrated: 2014/05/22;
- Sensor-Surface: 1.4mm (Mechanical Surface Detection)
- Phantom: ELI 4.0; Type: QDOVA001BA; Serial: 1056

**Edge3/Main Ant/802.11b/Ch6/Area Scan (6x7x1):** Measurement grid: dx=12mm, dy=12mm

[Info: Interpolated medium parameters used for SAR evaluation.](#)

Maximum value of SAR (measured) = 0.363 W/kg

**Edge3/Main Ant/802.11b/Ch6/Zoom Scan (7x7x7)/Cube 0:** Measurement grid: dx=5mm, dy=5mm, dz=5mm

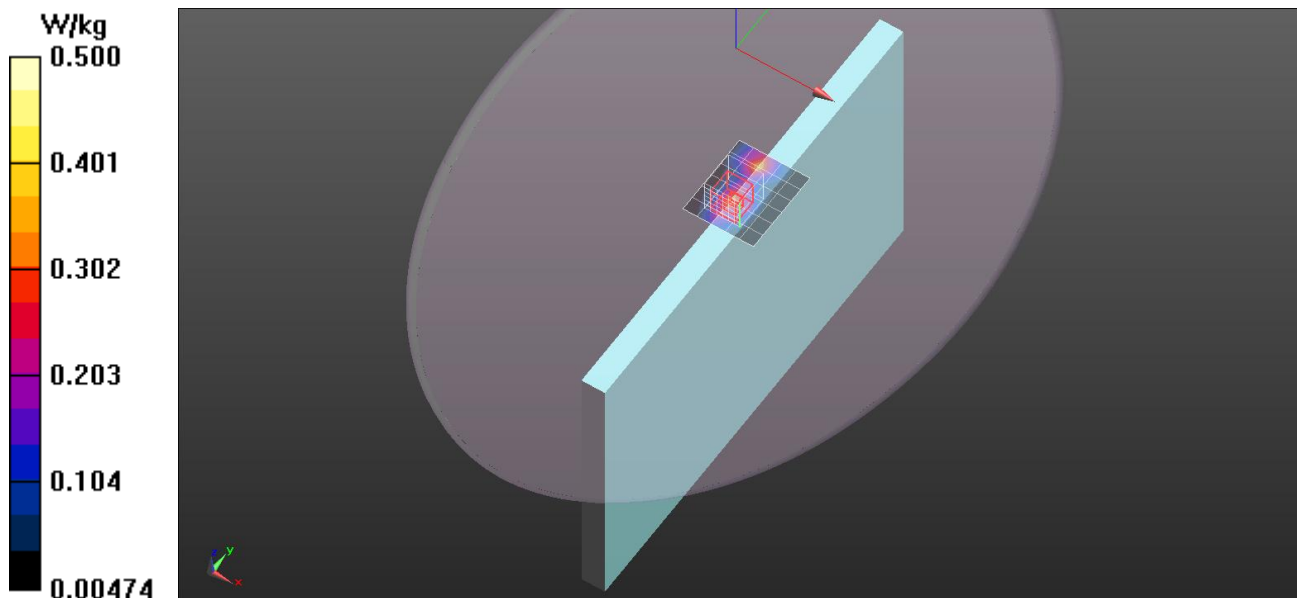
Reference Value = 14.54 V/m; Power Drift = 0.19 dB

Peak SAR (extrapolated) = 0.499 W/kg

**SAR(1 g) = 0.233 W/kg; SAR(10 g) = 0.113 W/kg**

[Info: Interpolated medium parameters used for SAR evaluation.](#)

Maximum value of SAR (measured) = 0.387 W/kg



## Wi-Fi 2.4GHz Band

Frequency: 2437 MHz; Duty Cycle: 1:1; Room Ambient Temperature: 24.0°C; Liquid Temperature: 23.5°C

Medium parameters used (interpolated):  $f = 2437$  MHz;  $\sigma = 1.891$  S/m;  $\epsilon_r = 54.093$ ;  $\rho = 1000$  kg/m<sup>3</sup>

DASY5 Configuration:

- Area Scan Setting - Find Secondary Maximum Within: 2.0 dB and with a peak SAR value greater than 0.0012W/kg
- Electronics: DAE4 Sn877; Calibrated: 2014/03/26
- Probe: EX3DV4 - SN3665; ConvF(7.22, 7.22, 7.22); Calibrated: 2014/05/22;
- Sensor-Surface: 1.4mm (Mechanical Surface Detection (Locations From Previous Scan Used)), Sensor-Surface: 1.4mm (Mechanical Surface Detection)
- Phantom: ELI 4.0; Type: QDOVA001BA; Serial: 1056

**Edge3/Main Ant/802.11b/Ch6\_Spot/Area Scan (6x7x1):** Measurement grid: dx=12mm, dy=12mm

[Info: Interpolated medium parameters used for SAR evaluation.](#)

Maximum value of SAR (measured) = 0.922 W/kg

**Edge3/Main Ant/802.11b/Ch6\_Spot/Zoom Scan (7x7x7)/Cube 0:** Measurement grid: dx=5mm, dy=5mm, dz=5mm

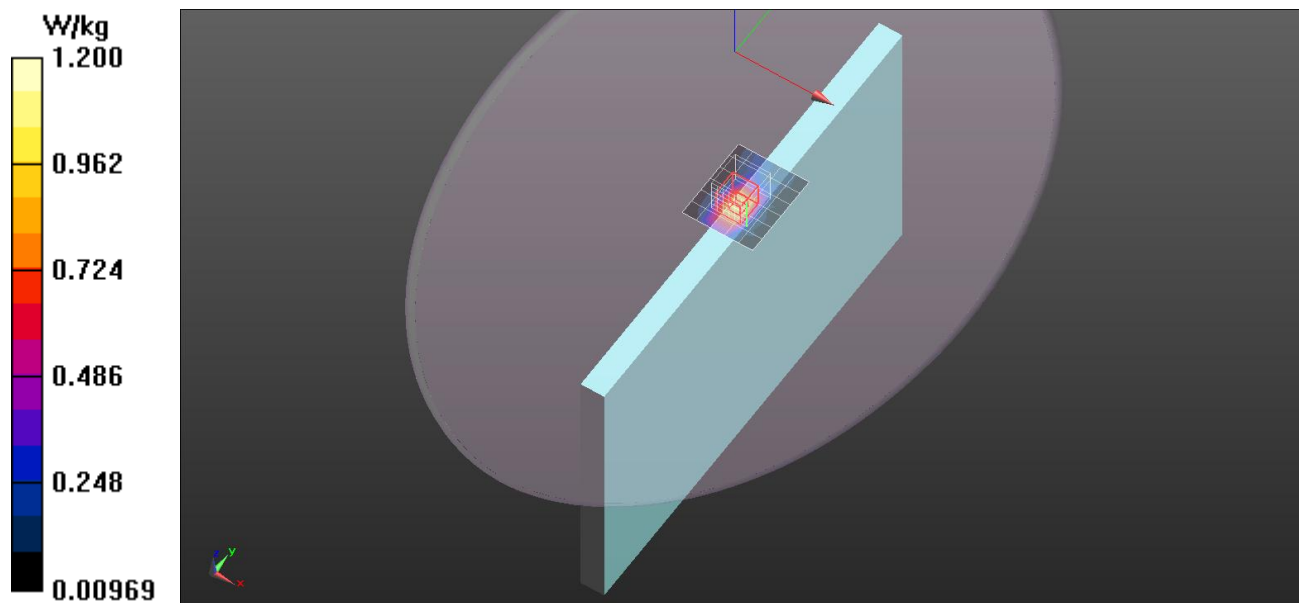
Reference Value = 23.99 V/m; Power Drift = -0.09 dB

Peak SAR (extrapolated) = 1.48 W/kg

**SAR(1 g) = 0.714 W/kg; SAR(10 g) = 0.342 W/kg**

[Info: Interpolated medium parameters used for SAR evaluation.](#)

Maximum value of SAR (measured) = 1.18 W/kg



## Wi-Fi 2.4GHz Band

Frequency: 2437 MHz; Duty Cycle: 1:1

**Edge3/Main Ant/802.11b/Ch6\_Spot/Z Scan (1x1x21):** Measurement grid: dx=20mm, dy=20mm, dz=5mm

Info: [Interpolated medium parameters used for SAR evaluation.](#)

Maximum value of SAR (measured) = 0.931 W/kg

