

MULTI-MEDIA DISC PLAYER

INSTRUCTION MANUAL



AMSA7

TABLE OF CONTENTS

IMPORTANT SAFETY INSTRUCTION	1
PREPARATION BEFORE USING THE Multimedia	2
Unpacking and checking the contents.....	2
CONTROL REFERENCE GUIDE	3
The Multimedia play.....	3
The 7 inch TFT color LCD Monitor.....	4
The IR Remote Control.....	5
CONNECTION	6
BASIC OPERATIONS	7
PAL-NTSC Selection.....	7
Disc loading.....	8
Pause / Stop / Play.....	8
Select menu items.....	8
ADVANCED OPERATION	8
Select a specific on-disc Menu section.....	8
Audio CD discs, track selection.....	9
Fast Forward.....	9
Fast Backward.....	9
Skip to the next chapter or track.....	9
Skip to the previous chapter or track.....	9
Select a track.....	9
Display the tracklist.....	9
Repeat.....	10
Select Subtitle Language.....	10
On Screen Display (OSD).....	10
For DVD discs.....	10
For CD discs.....	11
FM Frequency.....	11
ZOOM.....	11
Memory Play.....	12
Slow Play.....	12
SYSTEM SETTINGS	13
MP3/MPEG4 PLAYBACK	21
Play mode.....	21
Other functions.....	22
INSTALLATION	23
COMPATIBLE DISK TYPES	24
TECHNICAL SPECIFICATIONS	25

TECHNICAL SPECIFICATIONS

Specifications:

- Ultra Slim Design.
- Multimedia player Supports: DVD, DVD-R, DVD-RW, DVD+R, DVD+RW, CD, CD-R, CD-RW, VCD, SVCD, MP3 and JPG picture disks
- MPEG4 support: DivX 3.11 / 4.02 / 5.02 / 5.03 / 5.05 / DivX Pro / XviD / Subtitles .srt.sub
- Electronic Shock Protection (ESP) and Mechanical Shock Protection
- PAL/NTSC selection
- Infra-red remote control
- Multi Lingual On Screen Display (OSD)
- 2 Integrated dome lights with door sensor connections
- AV input via RCA connectors
- Multi-Language menu selection
- Dimension: 293 x 184 x 64mm (W/H/D)

Including

- Multimedia Player x1
- AV cables x1
- IR Remote control Including batteries x1
- User Manual x1

Specifications MultiMedia Player:

Power Consumption	12V DC(11-15V)/ 1.4A(Max.1.6A)
FM Stereo Transmitter	88.3/89.7/90.5/91.5/95.1/95.3/96.1/99.9/101.5/104.7 MHz
High Carrier Frequency	2.3/2.8MHz
Weight	<2.0KG
Dimension	293 x 184 x 64mm (W/H/D)
TV Signal system	PAL/NTSC/MULTI
Laser	Semi-conductor laser, wave length 650nm, 780nm
Frequency range	48KHz pulse modulation 20Hz~22KHz 96KHz pulse modulation 20Hz~22KHz
S/N	≥65dB
Audio dynamic range	>85dB
Harmonic Distortion	0,01%
Input Sensitivity	500mv
Operation temperature	0°C ~ 40°C
Storage Temperature	-15°C ~ 50°C

COMPATIBLE DISK TYPES

Some DVD discs may have special requirements for playing, with which this system may not be compatible. Please refer to the specifications on the individual disc.

DISC TYPE	Content	Size	Total Play time
DVD	AUDIO/ VIDEO	12CM	About 4.7 GB - 2hrs. (Single side & single layer)
			About 8.5 GB - 4hrs. (Single side & double layer)
			About 9.4 GB - 4hrs. (Double side & Single layer)
			About 17GB - 8hrs. (Double side & double layer)
CD-DA	AUDIO	12CM	About 700MB - 74 minutes
MP3	MP3 AUDIO	12CM	About 700MB - 300 minutes

Discs types

The Multimedia player can play the following types of discs: DVD / CD / CD-R / CD-RW / DVD-R / DVD-RW / DVD+R / DVD+RW. Discs other than listed above cannot be played. Please do NOT play discs smaller than 12CM or of odd shapes, only play sound 12CM discs.

The Multimedia player uses the NTSC/PAL color systems. It cannot play discs recorded with other systems, such as SECAM.

Region code

The region code for this player is 0 which indicates any region.

Copyright

According to the related laws, DVD discs, without proper authorization, are not allowed to be copied, broadcasted, cable broadcasted, or played publicly with the Multimedia player.

The Multimedia player incorporates copyright protection technology that is protected by method of claims of certain U.S. patents and other intellectual Property Rights owned by their rights owners. Reverse engineering or disassembly is prohibited.

Dear Customer:

We thank you for purchasing the Multimedia. We wish you many pleasant hours of watching DVD's or listening to your favorite music. Personal Safety has been taken in consideration in the design and manufacturing this product, however any improper use or operation may result in an electrical shock, fire and/or any other hazards. To prevent these hazards it is strongly recommended to read this manual thoroughly and adhere to the following precautions:

Important Safety Instructions



The lightning flash with arrowhead symbol within an equilateral triangle is intended to alert the user to the presence of uninsulated dangerous voltage within the product's enclosure that may be of sufficient magnitude to constitute a risk of electric shock to persons.



The exclamation point within an equilateral triangle is intended to alert the user to the presence of important operating and maintenance (servicing) instructions in the literature accompanying the appliance.

CAUTION:

The unit employs a laser system.

To ensure proper use of this product. Please read this owner's manual carefully and retain for future reference. Should the require maintenance, contact an authorized service location-see service procedure.

Use of controls, adjustments or the performance of procedures other than those specified herein may result in hazardous radiation exposure.

To prevent direct exposure to laser beam, do not try to open the enclosure. Visible laser radiation may be present when the enclosure is opened. Do not stare into beam.

WARNING:

FCC regulations state that any change or modification to the equipment, not expressly approved by maker or its authorized parties, could void user's authority to operate this equipment.

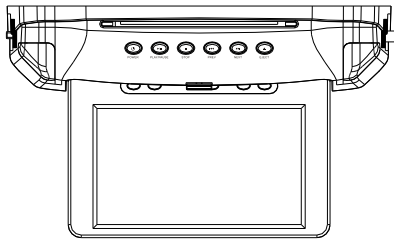
NOTE

- Please dispose empty batteries according the regulations in your country
- All On Screen Displays (OSD) and Pictures will be based on the English version.
- Design and Specifications may vary in the manual from the actual product in use.

PREPARATION BEFORE USING THE MULTIMEDIA PLAYER

Unpacking and checking the contents

please check if the following items and accessories are included in the received package:



One Multimedia Player



One IR-Remote Control



1x RCA Audio / Video cable.



This User Manual.

INSTALLATION

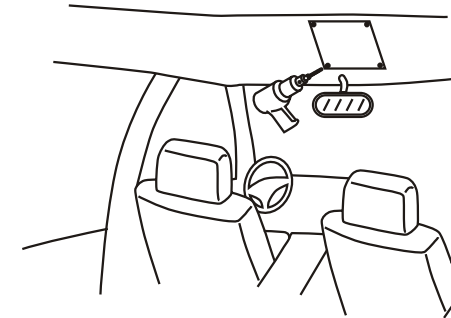


Fig.1

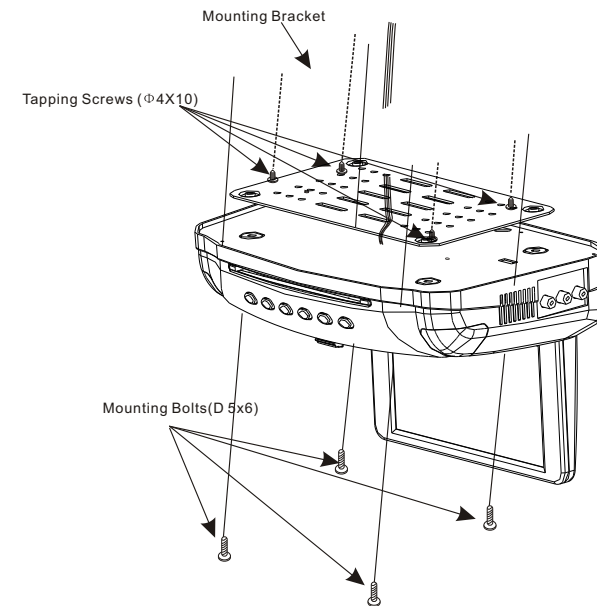
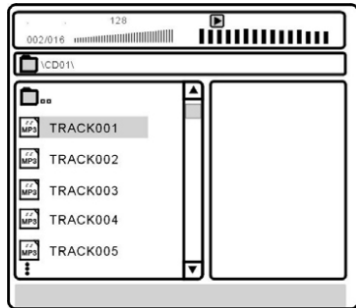


Fig.2

1. Determine the mounting location and drill four mounting holes (See Fig.1).
2. Attach the mounting bracket to the holes with the tapping screws ($\Phi 4 \times 10$).
4. Open the monitor to display the four screw holes.
5. Attach the unit to the bracket with the mounting bolts (D 5X6).
7. When the installation has completed, you can also turn the display upward or downward to adjust the viewing angle. (See the arrowhead symbol in Fig.2).

- 1) SINGLE (All the songs / videos will be played only once)
- 2) REPEAT ONE (The current playing song / video will be repeated)
- 3) REPEAT FOLDER (Only the songs / videos of the current folder will be repeated)
- 4) FOLDER (Only all the songs / videos of this folder will be played once)
- 5) SHUFFLE / RANDOM (The songs / videos will be played in random order)

When the disc is playing, press **REPEAT** to select your repeat mode, the TV screen will show:

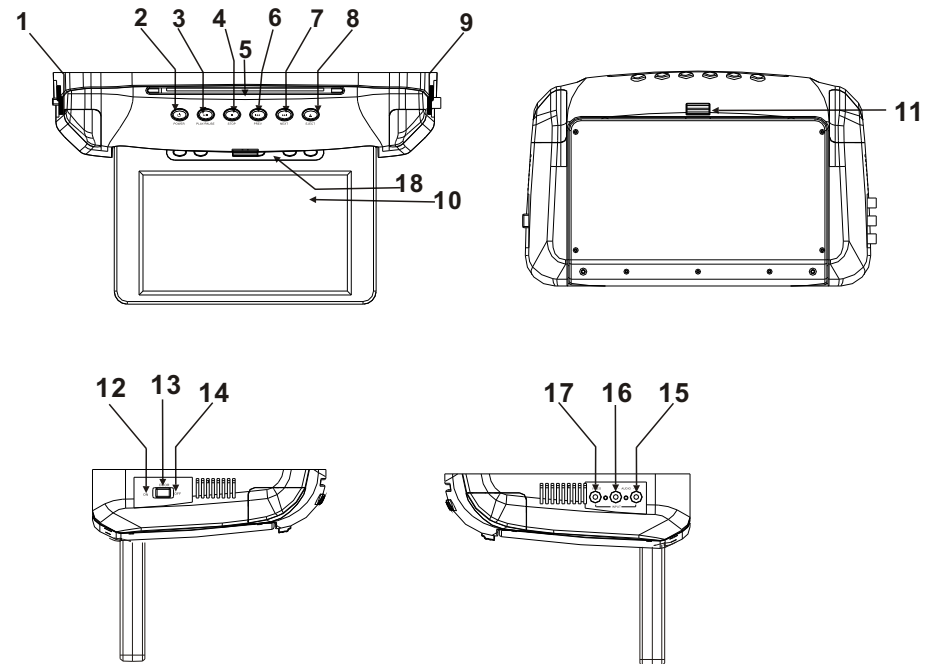


Other functions

Functions such as MUTE, VOLUME, PAUSE, PREVIOUS, NEXT, etc. are also available for MP3 / MPEG4 recorded discs. These operations are the same as playing an Audio CD.

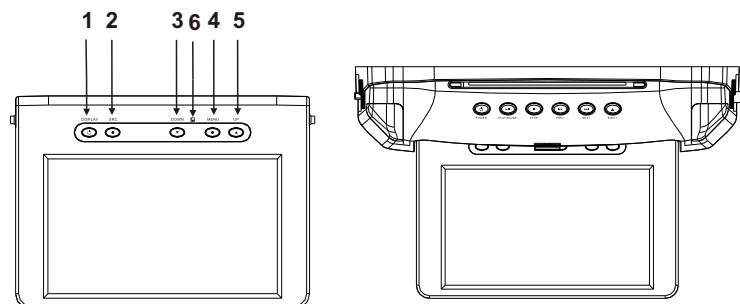
CONTROL REFERENCE GUIDE

The Multimedia Player



<ul style="list-style-type: none"> 1/9 Dome Light 2 Power ⏻ 3 Play/Pause ▶/⏸ 4 Stop ■ 5 Disc slot 6 Previous ◀◀ 7 Next ▶▶ 8 Eject ▲ 10 7 Inch LCD Screen 11 Open 	<ul style="list-style-type: none"> 12 turn on Dome light 13 Door Control 14 turn off Dome light 15 Right Audio Input 16 Left Audio Input 17 Composite Video Input 18 Infra Red Sensor
--	--

The 7 inch TFT color LCD Monitor



- 1- $\text{\textcircled{P}}$ TFT
- 2- SRC
- 3- Adjust decrease
- 4- Menu Selection: Brightness, Saturation, Sharpness, Contrast, Reset
- 5- Adjust increase
- 6- Control Sensor Pick Up

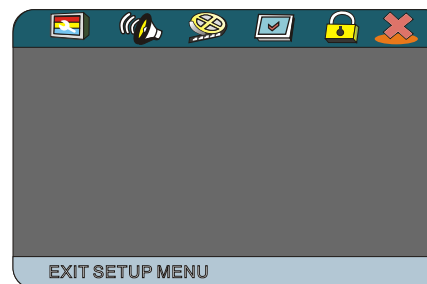
- 1 Press the [POWER] button to power on or off the TFT color LCD Monitor.
- 2 Press the [MENU] button to toggle between Brightness, Color, Contrast, Tint , and adjust the level with the \blacktriangle or \blacktriangledown button.

Note:

- The TFT color LCD is made of glass and liquid, do not apply pressure on the screen to prevent breakage and poor image quality.
- Do not scratch the screen surface with hard materials and only clean with a soft dry cloth.

Enter the PIN numbers with the number buttons of the remote control and press **PLAY**, enter the new password and press **PLAY** again, confirm your new password and press **PLAY** again.

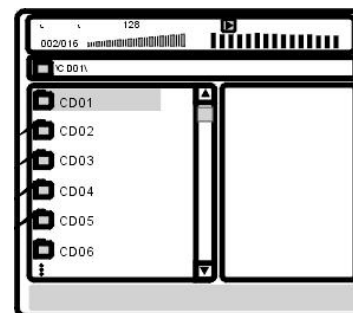
Important: Do not forget the newly entered password, there is no way to retrieve the (newly) entered password.



With this selection **X** you exit the system setup and return to normal viewing of the video.

MP3/MPEG4 PLAYBACK

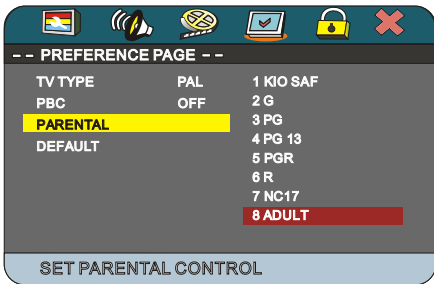
The Multimedia player is able to play discs (CD-R/ CD-RW) recorded with MP3/ MPEG4 audio and video files. When a disc with MP3 or MPEG4 files (including multiple directories) is loaded in the system the following screen is displayed:



To go to the preferred music or video directory, press the \blacktriangle \blacktriangledown arrows to scroll to your selection and confirm your choice by pressing the **PLAY** button. To select your preferred song or video title, press the \blacktriangle \blacktriangledown arrows to scroll to your selection and confirm your choice by pressing the **PLAY** button. Your selected song or video will now be played.

Play mode

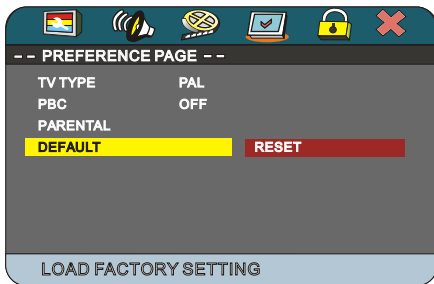
There are four kinds of play modes available when playing MP3/ MPEG4(.AV1) recorded discs:



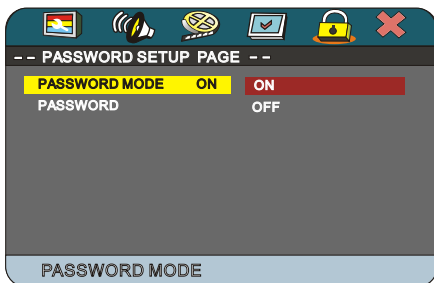
Set age control grade:

For DVD discs with a rating system programmed (for example: the North American CARA) parents can prohibit watching content that might be inadvisable for children. Press the **▶ RIGHT** arrow to enter the submenu. If you want to change the age control grade press either the **▲ UP** or **▼ DOWN** arrow to scroll to the available selections. **Selection 1** is Kid safe, **selection 2** is some guidance advisable, **selection 3** is PG (Parental guidance suggested, some material may not be suitable for children), **selection 4** is PG13 (Parents strongly cautioned, some material may be inappropriate for children under 13), **selection 5** is PG-R (Restricted, under 17 requires accompanying parent or adult guardian), **selection 6** is Restricted viewing, **selection 7** is NC-17 (No one 17 and under admitted), **selection 8** is for Adult Entertainment or X rated movies and NO PARENTAL is for General Audiences (All Ages).

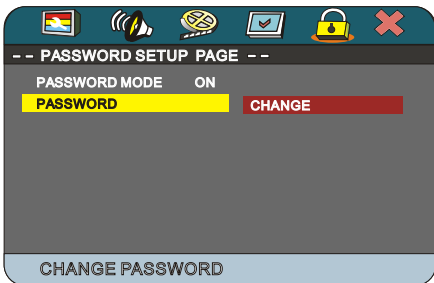
Hereafter a screen will indicate to enter a password, if the ex-factory password has never been modified, you can use [123456] by pressing the according number buttons on the remote control. Select "YES" or "NO" with either the left or the right arrow key and press **PLAY** to confirm.



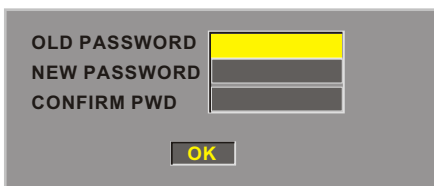
With this option you can select to reset to the factory preset values.



With this option you can select to set your password protection **ON** or **OFF**.

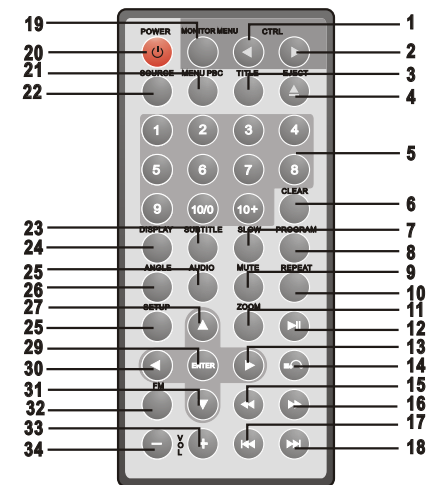


Use this menu to change the factory set password [123456]



The IR Remote Control

Point the remote control no more than about 3-4 meters (approx. 21 feet) from the remote control sensor on the front of the player and keep with in a $\pm 30^\circ$ angle.



(1) Adjust Decrease	(13) Right Arrow ▶	(25) Audio
(2) Adjust Increase	(14) Stop & Return	(26) Angle
(3) Title	(15) Fast Reverse ◀◀	(27) Up Arrow ▲
(4) Eject	(16) Fast Forward ▶▶	(28) Setup
(5) Number buttons	(17) Previous ◀◀	(29) Enter
(6) Clear	(18) Next ▶▶	(30) Left Arrow ◀
(7) Slow	(19) Monitor Menu	(31) Down Arrow ▼
(8) Program	(20) Power	(32) FM
(9) Mute	(21) Menu/PBC	(33) Volume-
(10) Repeat	(22) Source	(34) Volume+
(11) Zoom	(23) Subtitle	
(12) play/pause ▶	(24) Display	

Note:

- The distance may vary according to the brightness of ambient light.
- If the remote is not used for an extended period of time, remove the batteries to prevent possible damage from battery leakage and corrosion.
- Do not place any objects between the remote control unit and the sensor on the unit.
- Do not use the remote control unit, while simultaneously operating the remote control unit of any other equipment, they may interfere resulting in improper operation.
- The batteries normally last for about one year although depending how often the remote control is used. If the remote control unit isn't working even when it is operated near The Multimedia player, replace one the batteries with new batteries of the same make.
- Incorrect use of batteries may cause them to leak, corrode or explode.
- If leakage from the battery occurs, wipe the battery liquid from the battery compartment before installing new batteries.
- Make sure the IR sensor is not obstructed by the canvas carry bag.