

Warning: Changes or modifications to this unit not expressly approved by the party responsible for compliance could void the user's authority to operate the equipment.

NOTE: This device complies with part 15 of the FCC Rules. Operation is subject to the following two conditions: (1) This device may not cause harmful interference, and (2) this device must accept any interference received, including interference that may cause undesired operation.

FCC Statement: This equipment has been tested and found to comply with the limits for a Class B digital device, pursuant to part 15 of the FCC Rules. These limits are designed to provide reasonable protection against harmful interference in a residential installation. This equipment generates, uses and can radiate radio frequency energy and, if not installed and used in accordance with the instructions, may cause harmful interference to radio communications. However, there is no guarantee that interference will not occur in a particular installation. If this equipment does cause harmful interference to radio or television reception, which can be determined by turning the equipment off and on, the user is encouraged to try to correct the interference by one or more of the following measures:

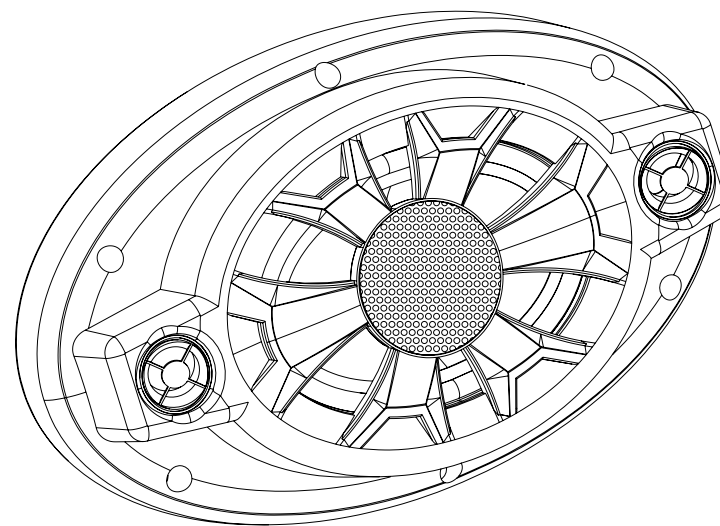
- Reorient or relocate the receiving antenna.
- Increase the separation between the equipment and receiver.
- Connect the equipment into an outlet on a circuit different from that to which the receiver is connected.
- Consult the dealer or an experienced radio/TV technician for help.

The equipment complies with FCC Radiation exposure limit set forth for uncontrolled environment. This equipment should be installed and operated with minimum distance 20cm between the radiator and your body.

iRV technologies

Operation Manual

MAX 120W Powered BT Speaker with Multiroom APP



iRV5.7LEDSPS

Contents

Safety Guidelines

Important safety instructions	
Safety compliance.....	1
Warnings.....	1
iRV5.7LEDSPS Technologies.....	2
iRV5.7LEDSPS Features.....	3
BT Link.....	4
APP Operation.....	5
Wiring Diagram.....	6
Installation Requirements.....	7
Troubleshooting.....	8
iRV5.7LEDSPS Specifications.....	9

iRV5.7LEDSPS Specifications

Overall Dimensions	14-1/4"(W) x 8-3/4"(H) x 4-1/8"(D)
Mounting Dimensions	14-1/2"(W) x 9"(H)
Net Weight	3.53lbs(1.6kgs)
Voltage	11.0V-15V DC, Negative Ground
Maximun Current Consumption	7.5A
Total Continuous Power Output	100W
Load Impedance	4Ω(4-8Ωallowable)
Total harmonic distortion	Typical 0.02% Maximum 0.3%
Bluetooth	Version 5.3, ClassII
Advanced Audio Distrbution	A2DP, AVRCP

TROUBLESHOOTING

No Power

Check and make sure whether the fuse is blown, replace fuse with proper value if necessary.

No Sound

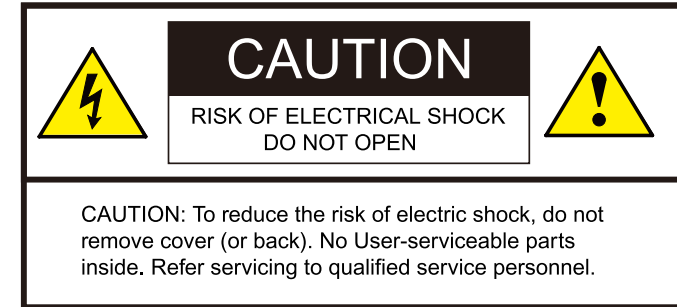
Using APP to check whether the unit is mute or the volume is set to 0.

No Broadcast

Using APP to check whether the working mode of the unit is transferred to other audio source or not.

APP can't search any products

- a. Check whether the phone's permission is enabled. If not, enable the permission in Application Management of the phone.
- b. At first exit the APP, turn off BT of phone, then search again after entering the APP.
- c. Power off the product, then power it on again, and search again after entering the APP.



WARNING - To reduce the risk of electrical shock, do not remove cover (or open unit). **NO USER SERVICEABLE** parts are inside. Refer servicing to **QUALIFIED SERVICE PERSONNEL**.

The design and manufacture of this speaker takes personal safety into consideration. However, any improper operation may result in electric shock, fire, or other hazard.

DO NOT open the cabinet by yourself to prevent electric shock. Please contact a professional technician to preform any service needed. Please use only components recommended by factory when replacement is necessary.

Please turn unit off when not in use. Use a dry, soft cloth to clean face with the system turned off.

WARNING - When using an external adapter, the output voltage/current of the external adapter should not exceed 12V/5A.

iRV5. 7LEDSPS Technologies

BT

This unit contains BT 5.3 technology enabling secure, wireless connections between portable and fixed devices.

This unit contains BT link also enables handheld control of streaming music from users wireless device play list.

3.5mm AUX input

This unit has 1 Audio input to allow users to enjoy entertainment from other sources such as Satellite Radio, TV, VCR's, Digital Cameras, Video Game for iPods and MP3 Players.

These sources must be connected through the inputs on the unit or through additional accessory wall plates.

Broadcast

Broadcast allows you to pair two or more multiple and compatible speakers together to truly pump up your party.

APP

APP is for smart transferring music and allows multiple speakers to connect, with zero delay between units.

It is also available for free on Android & Apple devices, turns any smart phone into a wireless remote control. Up to 10 speakers may be connected via APP.

BT&AUX auto-conversion function

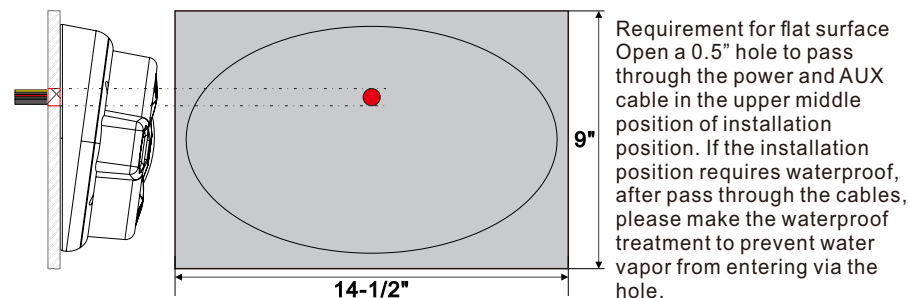
When using BT or AUX to input the audio source, the unit has auto-conversion function, BT as priority.

1. After BT is paired with phone and playing music, the unit will automatically play music from BT all the time, no matter whether has AUX input or not.
2. When BT is not paired or paired with phone successfully, and phone does not play music. Then AUX has the audio input, the unit will identify AUX audio and automatically play music from AUX after a few seconds. When playing music from AUX, if BT starts to play music, the unit will automatically covert to BT source and play music from BT.

INSTALLATION REQUIREMENTS

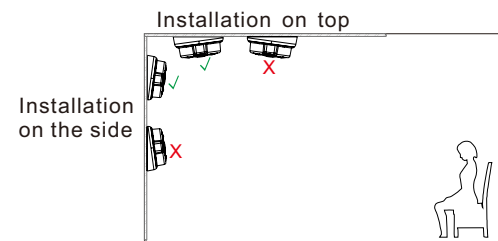
1. Installation requirements for mounting surface

When installing the unit, it must be mounted on a flat board or other flat surfaces. As the front of unit is designed to prevent water vapor from entering into unit, only be mounted on a flat board or other flat surfaces.



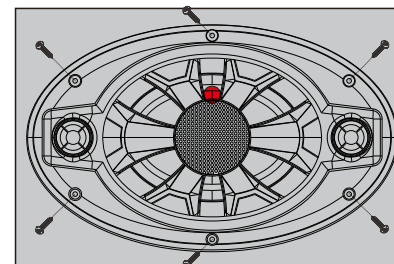
2. Requirement for installation direction

The front of unit is beveled. When installing, the download bevel must be faced to the audience, as shown in the below figure.

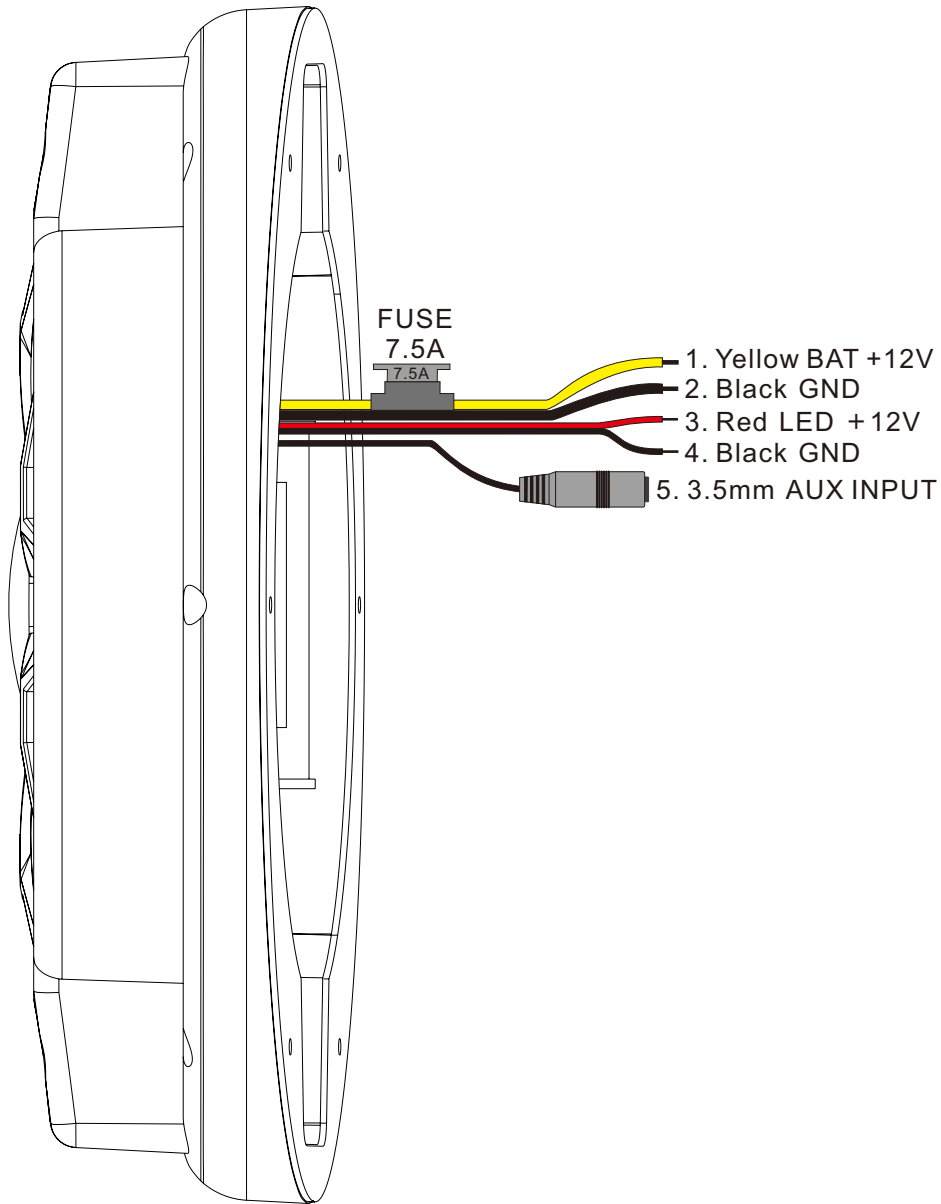


3. Install

After wiring as per diagram, use 6 mounting screws to tight the unit. It is necessary to check whether the unit is close to the mounting surface.



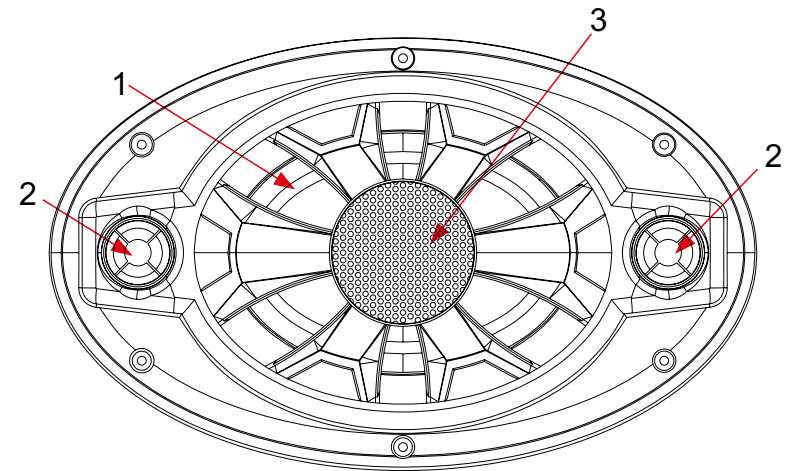
WIRING DIAGRAM



Note:

After BT is paired with phone but does not play music, when playing music from AUX, if there is a short prompt tone from phone, the unit will automatically convert to BT, so AUX audio will be interrupted and it is normal. If the prompt tone is very frequent, disconnect BT pairing or turn off BT.

iRV5.7LEDSPS Features



1. 5x7" Speaker

5x7" waterproof speaker, 4Ω impedance, Min Input Power:30W, Max Input Power:120W

2. 20mm Titanium film speaker x 2pcs

Non-polar titanium film speaker, 4Ω impedance, Min Input Power:20W, Max Input Power:80W

3. Light

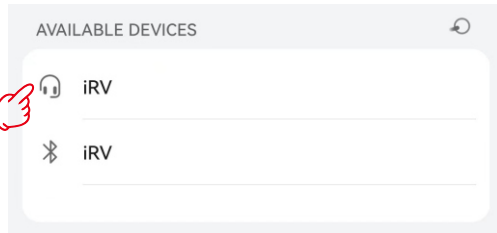
There are blue LED lights inside.

BT LINK

1. Connect with a BT device

Turn on power and turn on BT of phone, search BT device. When find “iRV”, then click “iRV” and wait for connecting. It will display password input prompt box, and enter password“8888”,then it will indicate successful connection.

Note: When search BT of Android device, it will appear two “iRV”BT devices. BT pairing of phone is BT music connection (as shown in the below figure). According to different phones the icons may be different.



2. BT broadcast function

This unit has broadcast function, which can broadcast BT or AUX music to other similar units, such as IRV6LPSPS, for synchronous playback.

Both IRV5.7LEDSPS and IRV6LPSPS have this function. For specific operations please refer to APP user manual.

Note:

1. When the unit is in the broadcast transmitting state and BT is paired with phone, another phone can also search this BT, but it can't be paired. Because in the transmitting state, the visibility of BT is turned on, allowing another device to receive the broadcast.
2. When the unit is in the broadcast receiving state, it will automatically disconnect BT pairing and turn off the visibility of BT, phone can't search this BT. At the same time auto-conversion function between BT and AUX is turned off, and only receive the broadcast audio with the same master name.

APP OPERATION



On Your iPhone or iPad
(used iOS 13 version or higher):

- Click on 'App Store'
 - Click 'Search' at the bottom of the screen
 - In the search bar, type iRV AUDIO
- * If using iPad, make sure to click the 'iPhone apps' option.



On Your Android Device
(used 8.0 version or higher):

- Click on 'Google Play'
- In the search bar, type iRV AUDIO at the top of the screen.

NOTE:

It's better to install APP in order to use all functions of unit. For specific operations please refer to APP user manual.

