



## Bluetooth Car MP4 User Manual

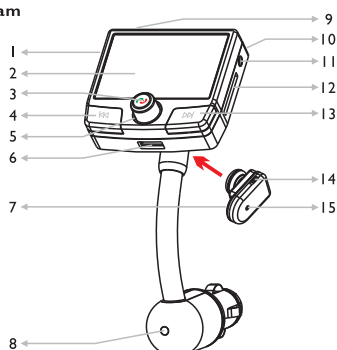
### User Manual

Thank you for choosing and buying our Bluetooth Car MP4. Completely read and understand all the instructions in this manual before using the Bluetooth car Mp4.

#### I. Product Introduction

Bluetooth Car MP4 adopt high-performance Bluetooth module and built-in MP3/WMA decoding chip, can play music stored in SD card and built-in memory, and have it played out through the car stereo via FM transmission. It also works as hands free when you have a call if your mobile phone supports Bluetooth. When the call is over, the tunes play on. It can also play the music in your Bluetooth mobile phone. Car refit? No need! Enjoy music and hands-free talk with our Bluetooth Car Mp4.

#### II. Diagram



1. The power switch
2. TFT LCD display
3. Receive/hang up/play/pause and volume knob
4. Previous track/ reject a call
5. Earphone charge Indicator
6. USB port
7. Earphone charge connection
8. Power Indicator
9. Wireless earphone seat
10. MIC socket
11. Aux input

12. SD Slot
13. Next track / call switch
14. Earphone power switch
15. Earphone power Indicator

#### III. Features

1. Flexible cable can be bended and adapted for any type of autos.
2. TFT LCD display
3. Bluetooth Hands free
4. Special wireless earpiece, protect your private communication.
5. With switching power on/off the device
6. Unique and fashionable encoding switch
7. Caller ID display
8. Excellent echo cancellation & noise suppression (CVC technology).
9. Support picking up and dialing a call by remote control
10. Automatic switch between player and calling modes
11. Play music stored in your mobile phone via car speaker
12. Stereo Bluetooth and FM transmission
13. Built-in 1GB-8GB (optional), support SD card
14. CD, MP3 external input support
15. Support AMV video format file and MP3/WMA music format file
16. Power off memory
17. Power supply from auto cigarette lighter socket
18. Support for 21-key remote control and wireless steering wheel remote control

#### IV. Operation Guide

- 4.1 Play music
  - 4.1.1 Plug Car MP4 device to car cigarette socket, power on the device, it will automatic play music stored inside memory of the device, press "⏮" or "⏪" for previous track or next track. Press "⏩" to play or pause.
  - 4.1.2 Turn on the car stereo to FM mode, adjusting the FM transmission frequency to the same frequency of the car radio, so that the stereo is able to play music out.
  - 4.1.3 How to change FM frequency: Press and hold "⏮" or "⏪" buttons to change frequency from 87.5 to 108MHz.
  - 4.1.4 When playing, turn ⌂ left or right to adjust volume.
  - 4.1.5 Plug SD card stored MP3/WMA, or AMV files, play the files automatically.
- 4.2. Playing video
  - 4.2.1 AMV format file or other format video files convert to AMV files, then download them to built in memory of the Car MP4 device.
  - 4.2.2. Keep presses the device ⌂ into the root directory and press "⏮" or "⏪" to play video files or press "MODE" on remote controller to switch into playing video.
- 4.3 Match mobile phone and hands free system
 

**Note:** When using your Bluetooth hands free device first time, your cell phone must pair with it. Please refer to the user manual of your

- cell phone for specific details on Bluetooth connectivity.
- 4.3.1. On state of Bluetooth hands free, activate your cell phone's Bluetooth function. Then search the device, it will show "FM-01" on cell phone.
  - 4.3.2. Select "FM-01" device.
  - 4.3.3. Enter the pass code "0000".
  - 4.3.4. Select "FM-01" from the list on the cell phone paired device, then select "connection", select "hands free device" again.

Matching and connection of additional equipment:

Bluetooth car kit only automatically matches the last matched device once turn on.

Remark: Some cell phone can connect with the Bluetooth car kit MP3 re-power on automatically, some cell phone maybe need to be awarded the authority. Also you can set as "connect automatically".

More details, please read the cell phone manual for reference.

4.4 Communication via Bluetooth (When your Bluetooth is free under the turn on or playing music state)

4.4.1 Dialing call

Dialing telephone number by cell phone directly after Bluetooth connected. Sound from the car speaker, the LCD is showing "calling...."

4.4.2 Answering call

When a call coming under the connected the LCD shows the caller ID, press ⌂ to answer call and press ⌂ again to hang up in the answering state.

4.4.3 Reject call

When the call coming but do not want to answer, press ⏮ can reject the call.

4.4.4 Transfer call

When you use Bluetooth car kit answering a call, press ⏮ can transfer between cell phone and Bluetooth car kit.

4.5 Playing the music stored in the cell phone.

This product support A2DP function can play the music stored in the cell phone. And transmitting the music to the car speaker via FM of Bluetooth car kit to revert high quality music effect.

4.4.1 Setting Bluetooth stereo output mode for cell phone music playing according to the cell phone manual.

4.4.2 After setting the sound of cell phone music will transmit to car speaker.

#### V. Using wireless earphone

To protect privacy, we design a wireless earphone. When a call coming, driver can use earphone communication to avoid the content is heard by others.

1) Get the earphone from the device, then the LCD will show "EAR" and the FM transmitting is turn off automatically.

2) Turn on the power of earphone and the light will light, put the earphone into your ear.

3) Sound will transfer from car speaker to earphone automatically.

4) Turn ⌂ left or right to adjust the volume.

5) Back the earphone to the device then the sound transfer to the FM transmitting and also charging for the build-in battery of earphone, Red LED ON means charging, Red LED off means the battery is full.

### V1. Power-off Memory

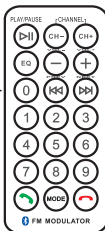
In General, every time that it is powered off, the device will automatically memorize the frequency in use and the point where the music has stopped, and will resume playing from that point when powered on next time. But when the storage devices have been changed or removed, or when errors have been detected, the system will automatically restore the default setting.

### VII. Remote Control

#### 1. Common Remote Control

Instructions:

1. CH-: Frequency down
2. CH+: Frequency up
3. : Previous track or delete previous input number
4. : Next track
5. : Play/pause
6. -: Volume down
7. +: Volume up
8. EQ: Control sound effects
9. Number keys 0 to 9
10. Press the number keys and then press the ""
11. Press the number keys and then press the "" or "" button to set frequency
12. Press the number keys and then press the "" to make a call
13. Press "MODE" to exchange the "music / video play" format
14. press "" to pick up and press "" to hang up



#### 2. Steering Wheel Remote Control for Car (Optional)



For the sake of your safety, Bluetooth Car Mp4 can be used together with a Steering Wheel Remote Control for Car, which enables you to enjoy the music at the same time of safe driving. Key instructions can be referred to those of Common Remote Control. Please read the installation guide of the Steering Wheel Remote Control for installation details.

### VIII. Warnings

5. The system is compatible with 95% of the mobile phones in the

market, but not with a few others. Please pay attention to the compatibility when purchasing the system.

6. In phone calling mode, the volume shall be moderate to avoid affecting the other end of the call.

7. Do not use the system in dusty, high-humidity, or extreme-temperature conditions

8. Prevent the system from falling off, to avoid any and all damage.

9. Do not break open the product. Please contact the distributor if you have any doubt.

10. Changes resulting from the improvement of the system and its performance may not be made known to the user.

### Technology Parameter

Rated Voltage	DC 12V
Limited voltage	DC 9~26V
Power consumption	1W
Work temperature	0-50 °C
Support file format	MP3,WMA ,AMV
SNR	>60dB
Degree of distortion	<0.1%
Frequency response	20Hz~15KHz
Left and right channel dB	>60dB
Bluetooth version	BlueCore3
Bluetooth voice	With AD2P(Advance audio Distribution profile)
Transmit distance	10M
Bluetooth microphone effective range	0.5~2M
Transmit frequency	87.5-108MHz
Wireless earpiece receiving Frequency	86 MHz
Transmit frequency modulation mode	Stereo digital PLL frequency lock
Appearance size	70*63.5*21mm
Weight	154.5g

### VIII. Warning

9. 1. Do not tune the FM transmitter too high volume to avoid voice distortion (normally at 14 or below). Please use car audio tune volume.
9. 2. To select the preset channel without signal interference, though the product has strong transmitting power.
9. 3. Operation mode for Bluetooth may be in little different due to difference from various mobile phone.
9. 4. It will be happen that some models mobile phone can't connect

automatically after power is off and on again, so manual connect is needed.

### Fault treatment

No work or no display when power is on	<ul style="list-style-type: none"> <li>•Check if contact between the device and cigarette socket undo, or if cigarette socket is heavy rusty</li> <li>•If fuse of the device has burned out. If yes, please replace with same fuse.</li> <li>•Pull out the device from cigarette socket and plug into again</li> </ul>
Playing failure	<ul style="list-style-type: none"> <li>•Check if connection between the device and USB or SD card is correct, or retry use other USB or SD card</li> <li>•Check if exist files format in USB or SD card couldn't be supported by the device</li> <li>•Please be assure volume not be set at "0"</li> </ul>
Muting but not voice	<ul style="list-style-type: none"> <li>•If player is on "PAUSE" state</li> <li>•If volume is on "0" or very low position</li> </ul>
Bluetooth function failure	<ul style="list-style-type: none"> <li>•If mobile telephone has been connected with the player</li> </ul>
Without the sound effect prompt; Sound effect quality variation	<ul style="list-style-type: none"> <li>•Surpasses the connection scope</li> </ul>
No sound from car audio	<ul style="list-style-type: none"> <li>•Confirm the device is on transmitting state.</li> <li>•If transmit frequency is same with receiving frequency.</li> <li>•Make sure LCD display not show "EAR" Mode</li> </ul>
Transmit effect is not good , With noise	<ul style="list-style-type: none"> <li>•Check if the preset channel has strong signal , try to change the channel without signal interference</li> </ul>
Remote control not work	<ul style="list-style-type: none"> <li>•Make sure you take off the battery bar paper</li> <li>•low battery need to change</li> </ul>

### Accessories

Common Remote Control, USB Cable ,3.5mm Audio Cable, Steering Wheel Remote Control (optional) ,User Manual



This device complies with part 15 of the FCC rules. Operation is subject to the following two conditions: (1) this device may not cause harmful interference, and (2) this device must accept any interference received, including interference that may cause undesired operation.

NOTE: The manufacturer is not responsible for any radio or TV interference caused by unauthorized modifications to this equipment. Such modifications could void the user's authority to operate the equipment.

NOTE: This equipment has been tested and found to comply with the limits for a Class B digital device, pursuant to part 15 of the FCC Rules. These limits are designed to provide reasonable protection against harmful interference in a residential installation. This equipment generates uses and can radiate radio frequency energy and, if not installed and used in accordance with the instructions, may cause harmful interference to radio communications. However, there is no guarantee that interference will not occur in a particular installation.

If this equipment does cause harmful interference to radio or television reception, which can be determined by turning the equipment off and on, the user is encouraged to try to correct the interference by one or more of the following measures:

- Reorient or relocate the receiving antenna.
- Increase the separation between the equipment and receiver.
- Connect the equipment into an outlet on a circuit different from that to which the receiver is connected.
- Consult the dealer or an experienced radio/TV technician for help.