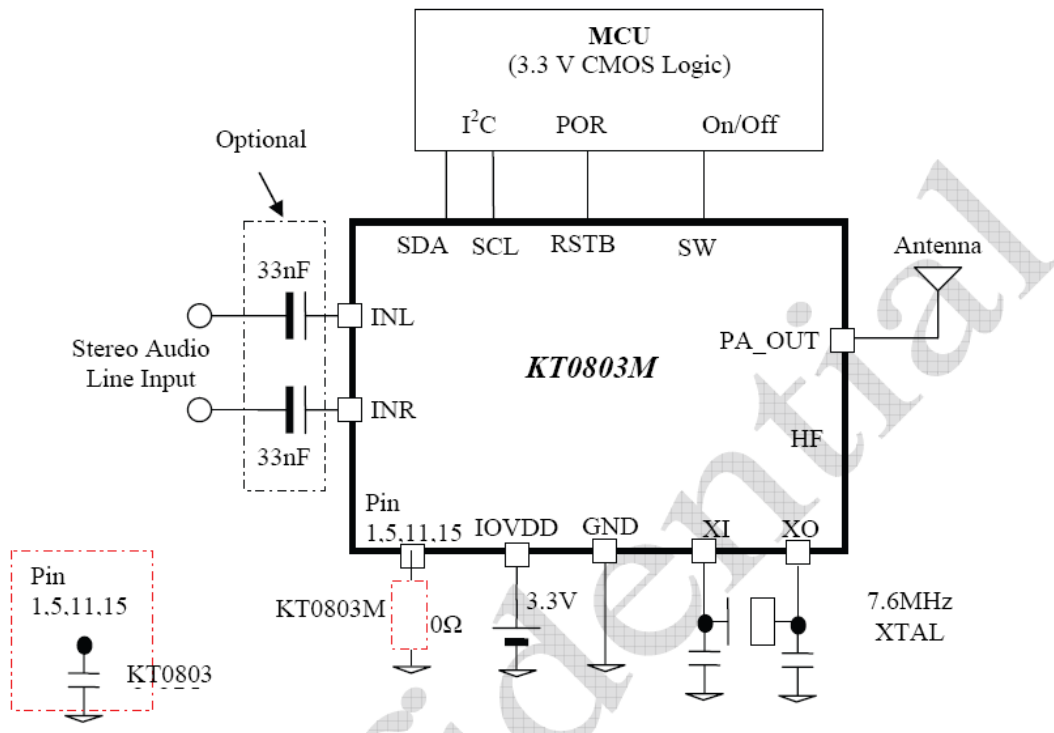


Operation Description



The KT0803M can be integrated in a wide range of systems by requiring only a single power supply. Figure 9 shows the external diagram for the drop-in replacement of KT0803.

As shown in the red block above, Pin 1, 5, 11 and 15 are VDD pins in KT0803 that are required to be connected to a decoupling capacitor. These four pins are GND pins in KT0803M. Customers can replace the decoupling capacitor of a 0-ohm resistor without PCB board change.