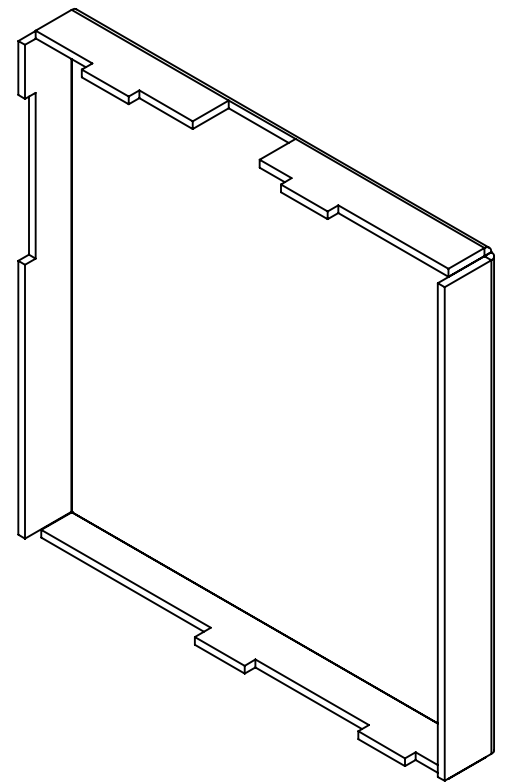
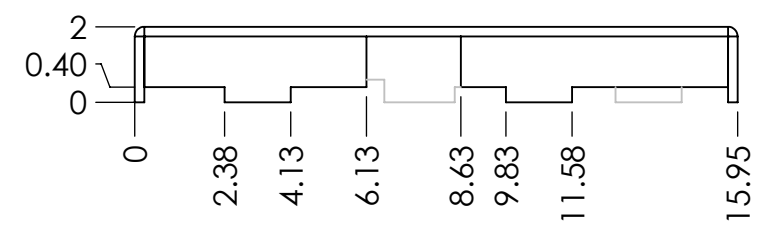
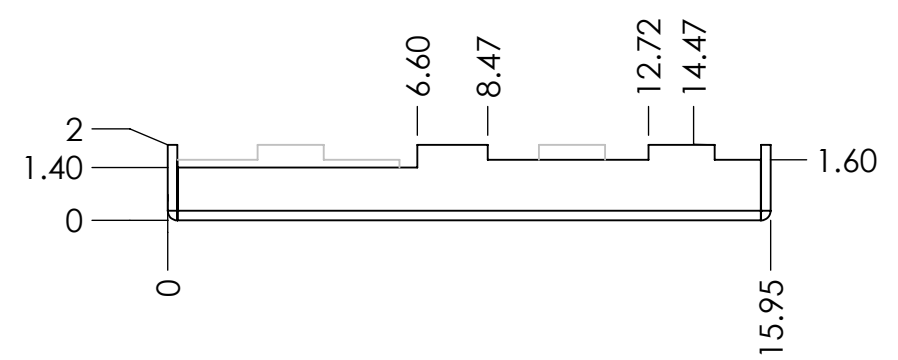
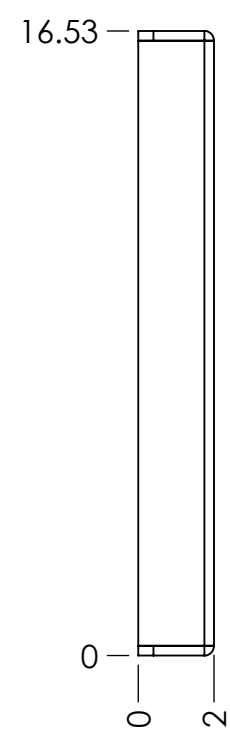
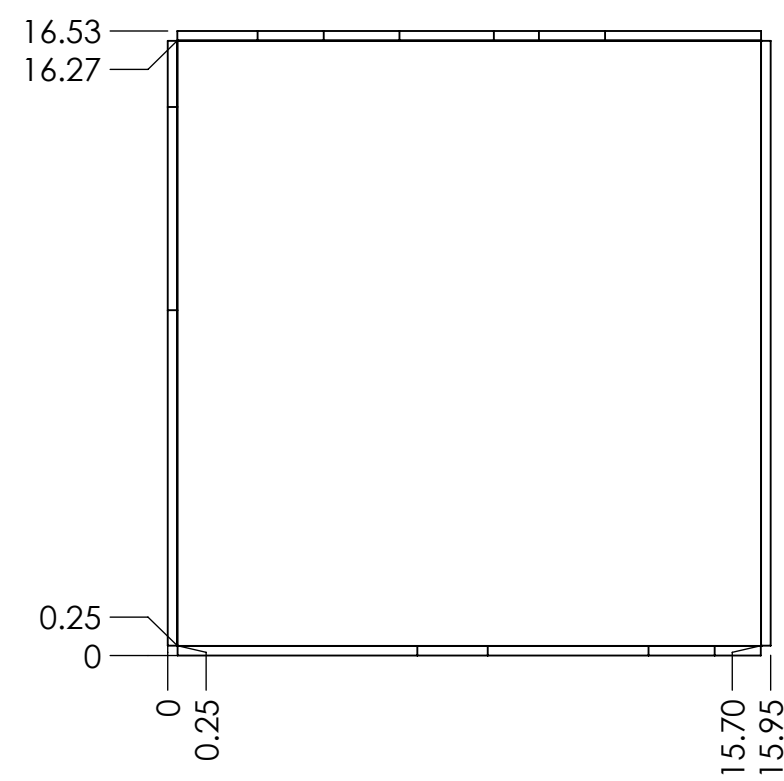
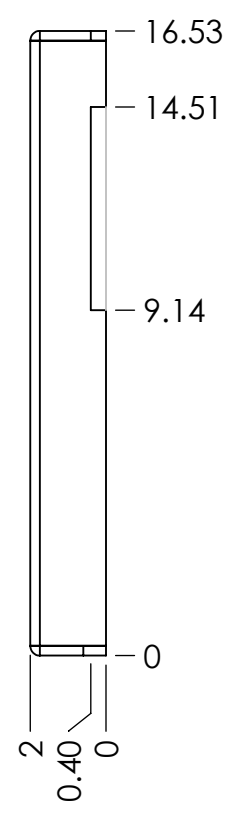


D  
C  
B  
A

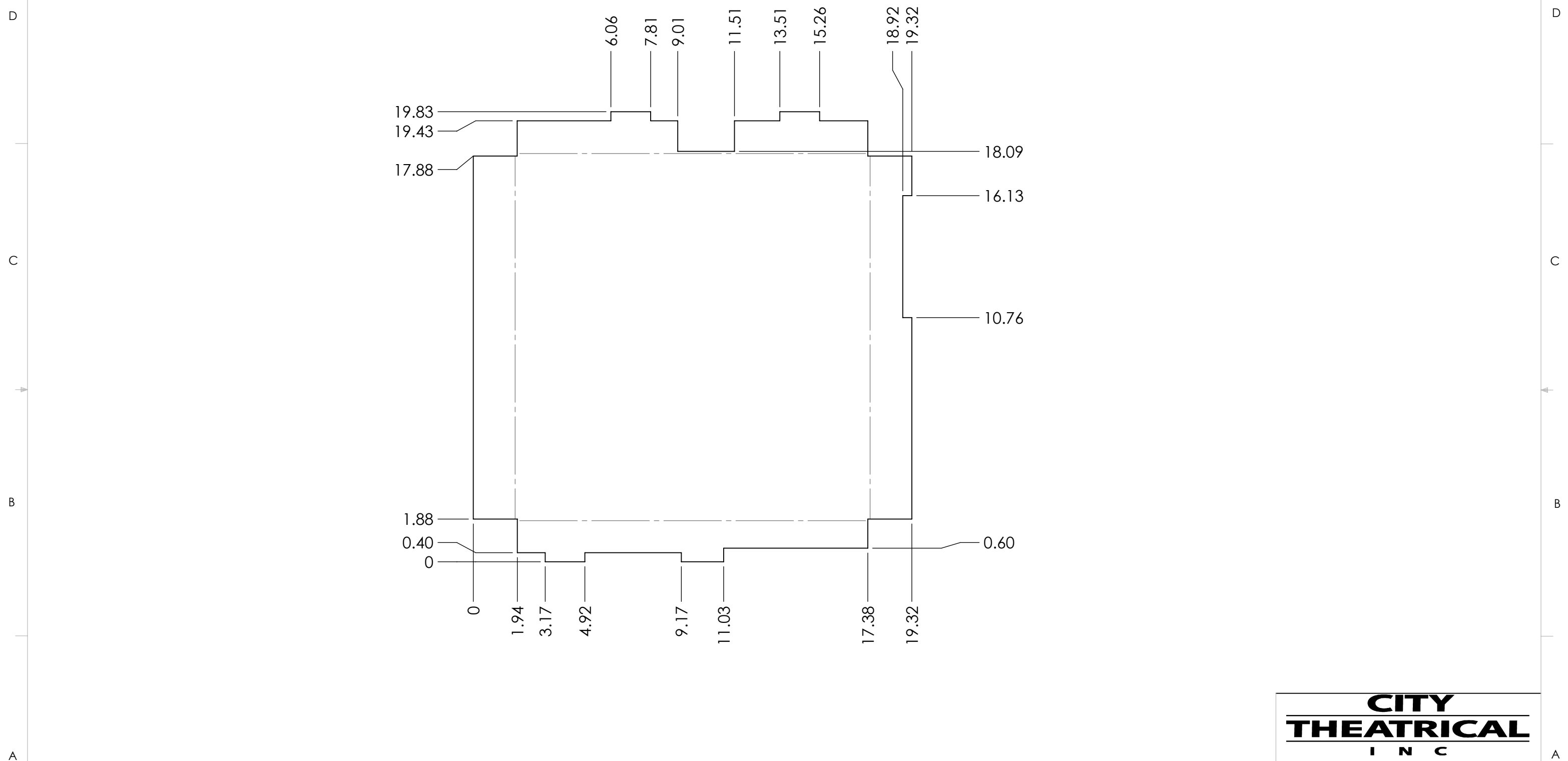


NOTE:

- 1. MATERIAL, NICKEL SILVER, HALF HARD [.01" THICKNESS]

BY	NAME JM	DATE 11/8/16	<p align="center"><b>CITY THEATRICAL INC</b></p> <p>475 BARELL AVENUE, CARLSTADT, NJ 07072 800/230/9497 201/549/1160 201/549/1161 FAX</p> <p>TITLE: SHIELD, MULTIVERSE, 900MHZ</p>
APPROVED	P.K.	11/8/16	
MATERIAL	SEE NOTE 1.		
FINISH	NONE		
TOLERANCE	±0.2		
ALL DIMENSIONS IN	mm[in]		
<p><b>PROPRIETARY AND CONFIDENTIAL</b></p> <p>THE INFORMATION CONTAINED IN THIS DRAWING IS THE SOLE PROPERTY OF CITY THEATRICAL, INC. ANY REPRODUCTION IN PART OR AS A WHOLE WITHOUT THE WRITTEN PERMISSION OF CITY THEATRICAL, INC. IS PROHIBITED.</p>			<p>SIZE DWG. NO.</p> <p><b>B</b> 101-01257, 101-01353</p>
SCALE: 5:1		REV <b>D</b>	SHEET 1 OF 2

8 7 6 5 4 3 2 1



CTI ANSI-B Rev 1-27-17

**CITY THEATRICAL INC**  
 475 BARELL AVENUE, CARLSTADT, NJ 07072  
 800/230/9497 201/549/1160 201/549/1161 FAX

TITLE: SHIELD, MULTIVERSE, 900MHZ

Material:	SEE NOTE 1.	PROPRIETARY AND CONFIDENTIAL
Stock Code:		THE INFORMATION CONTAINED IN THIS DRAWING IS THE SOLE PROPERTY OF CITY THEATRICAL, INC. ANY REPRODUCTION IN PART OR AS A WHOLE WITHOUT THE WRITTEN PERMISSION OF CITY THEATRICAL, INC. IS PROHIBITED.
V Opening:		
Bend Deduction:		

SIZE DWG. NO.	REV
<b>B</b> 101-01257, 101-01353	<b>D</b>
SCALE: 5:1	SHEET 2 OF 2

8 7 6 5 4 3 2 1