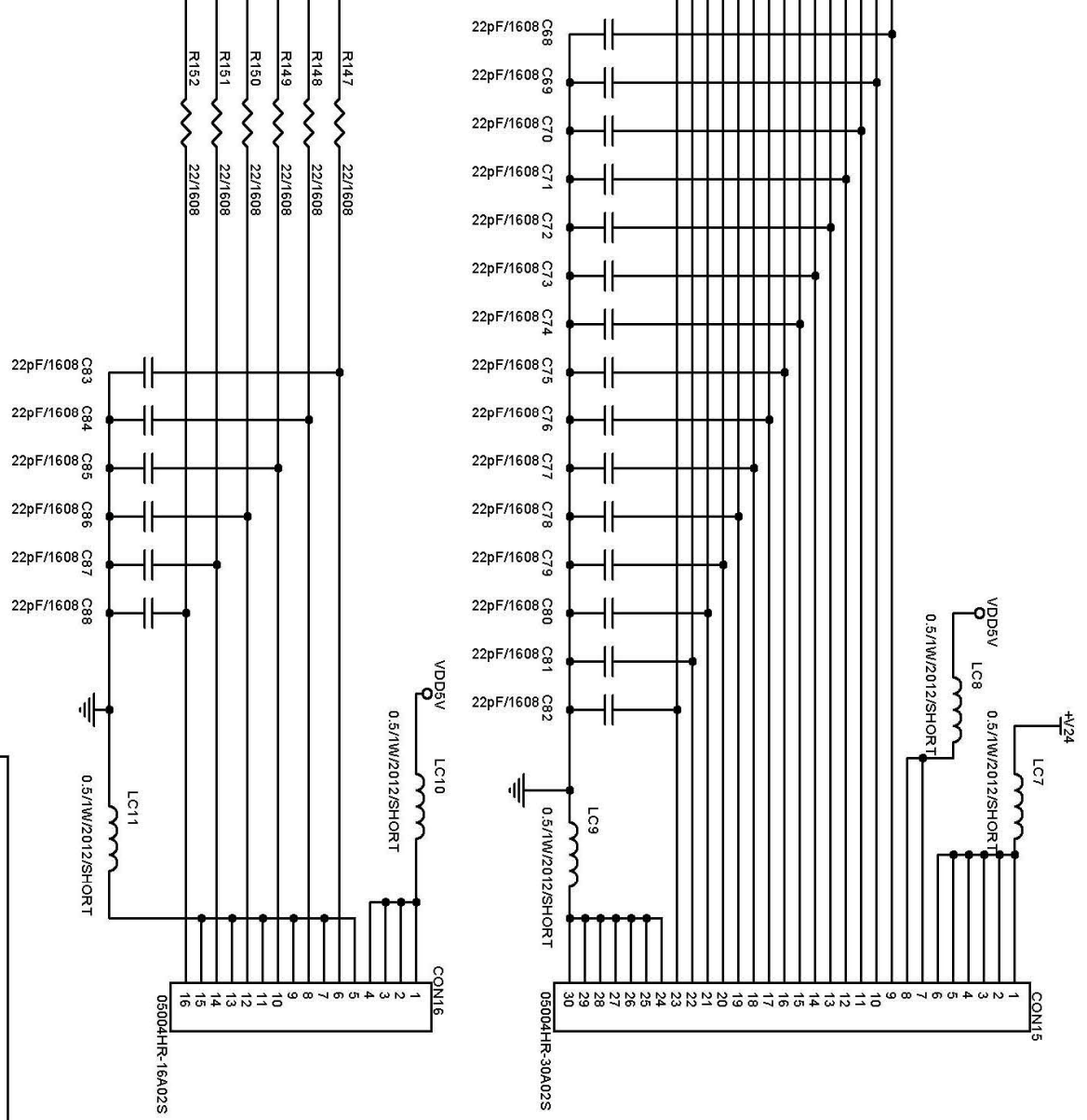


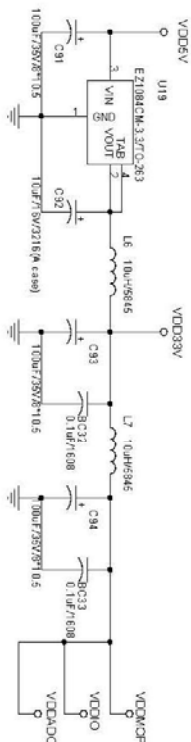
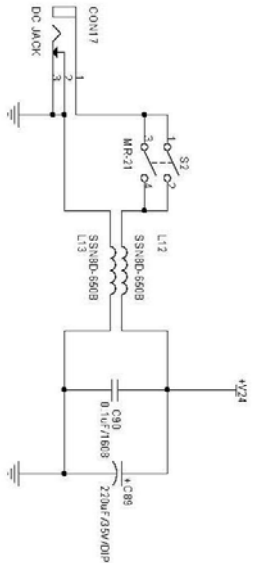
1.6.7 PODA[0..7] >>>

- 1 PODA0 R132 22/1608
- 1 PODA1 R133 22/1608
- 1 PODA2 R134 22/1608
- 1 PODA3 R135 22/1608
- 1 PODA4 R136 22/1608
- 1 PODA5 R137 22/1608
- 1 PODA6 R138 22/1608
- 1 PODA7 R139 22/1608
- 1 EX-PORT0 R140 22/1608
- 1 EX-PORT1 R141 22/1608
- 2 SEN-OP8 R142 22/1608
- 2 SEN-OP9 R143 22/1608
- 2 SEN-OP10 R144 22/1608
- 2 SEN-OP11 R145 22/1608
- 2 SEN-OP12 R146 22/1608

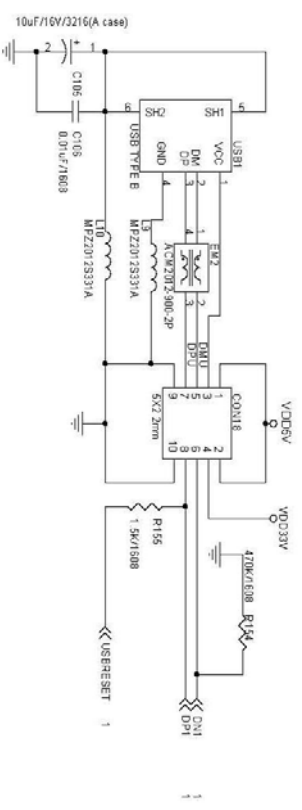
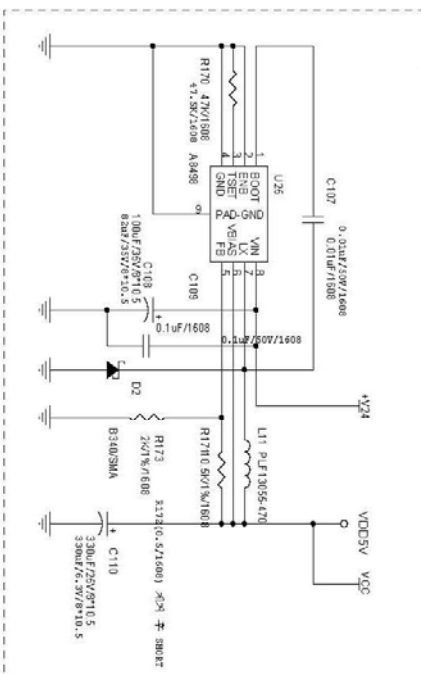
- 1 RF_RST R147 22/1608
- 1 RF_SS R148 22/1608
- 1 RF_SCK R149 22/1608
- 1 RF_MISO R150 22/1608
- 1 RF_MISO R151 22/1608
- 1 RF_LRQ R152 22/1608



Title		<Title>
Size	Document Number	
A4	<Doc>	
Date:	Wednesday, July 18, 2007	Sheet 11 of 14
Rev		<Rev>

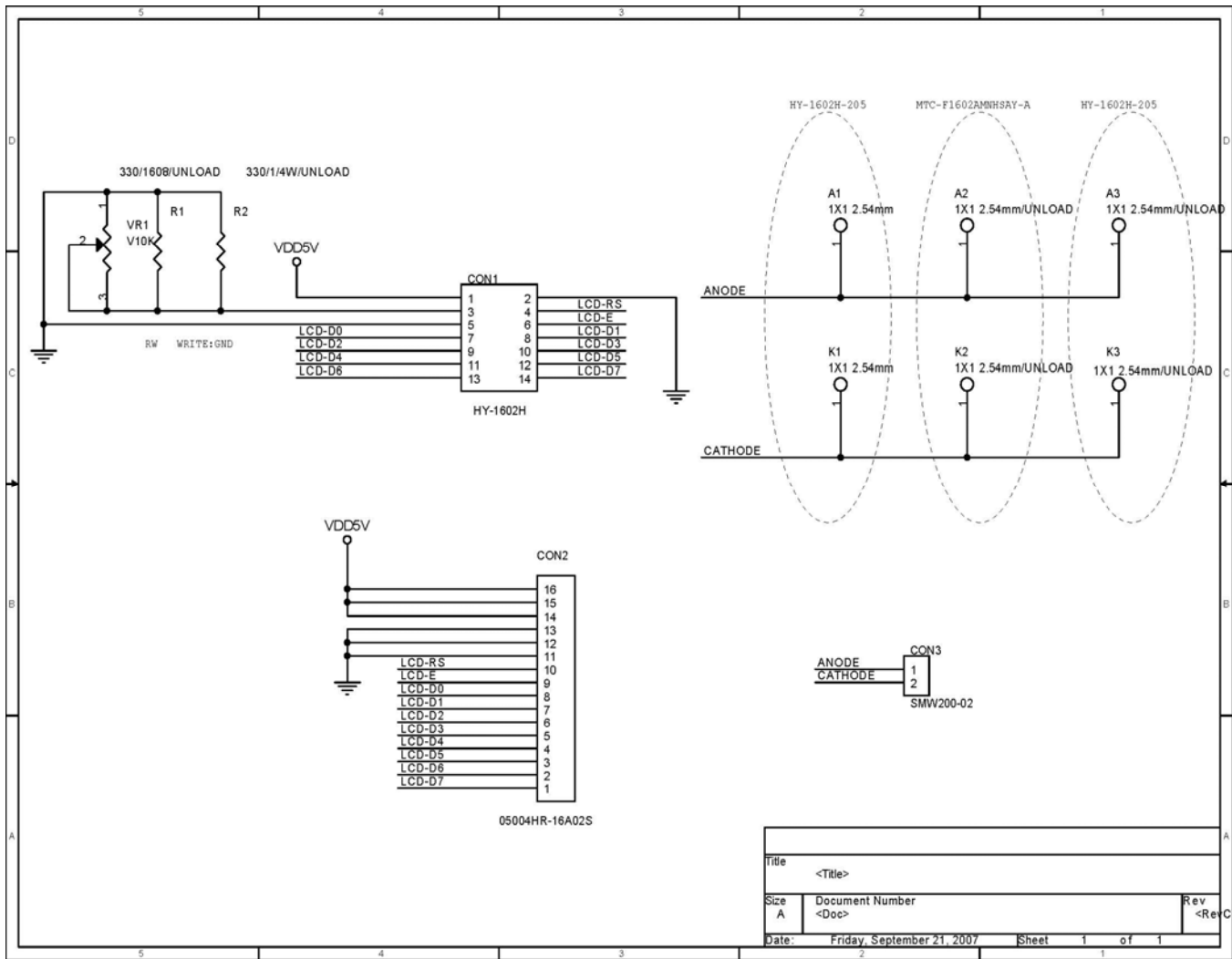


Regulator <A8498>Module



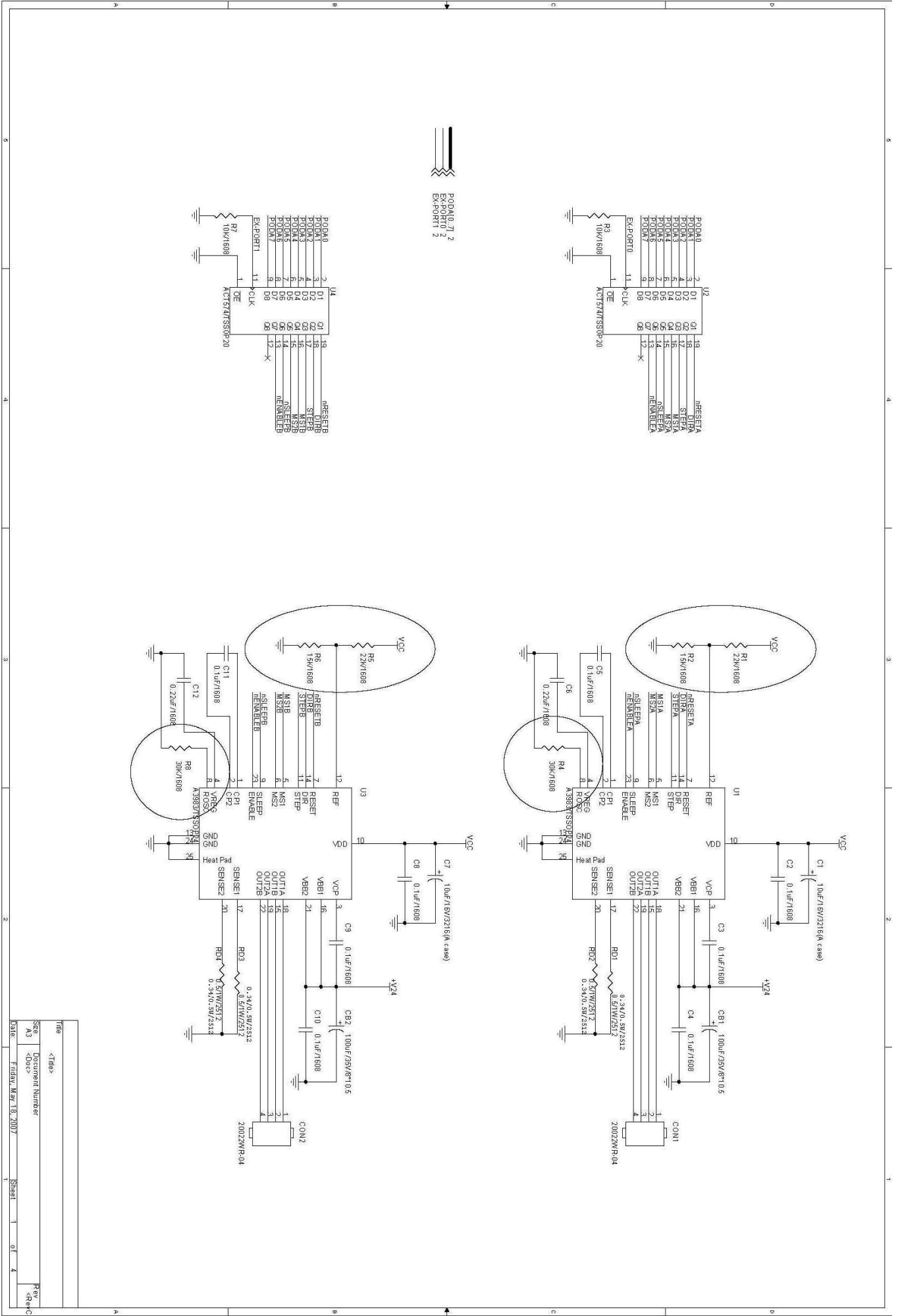
Rev	<Type>
Size	<Doc>
Doc No	<Doc>
Date	Thursday, October 18, 2007
Sheet	12 of 12
Rev	<Doc>
Doc No	<Doc>

3) LCD CIRCUIT

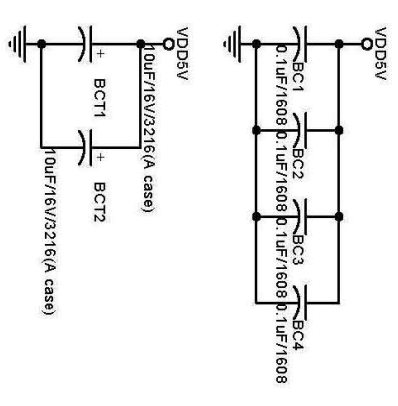
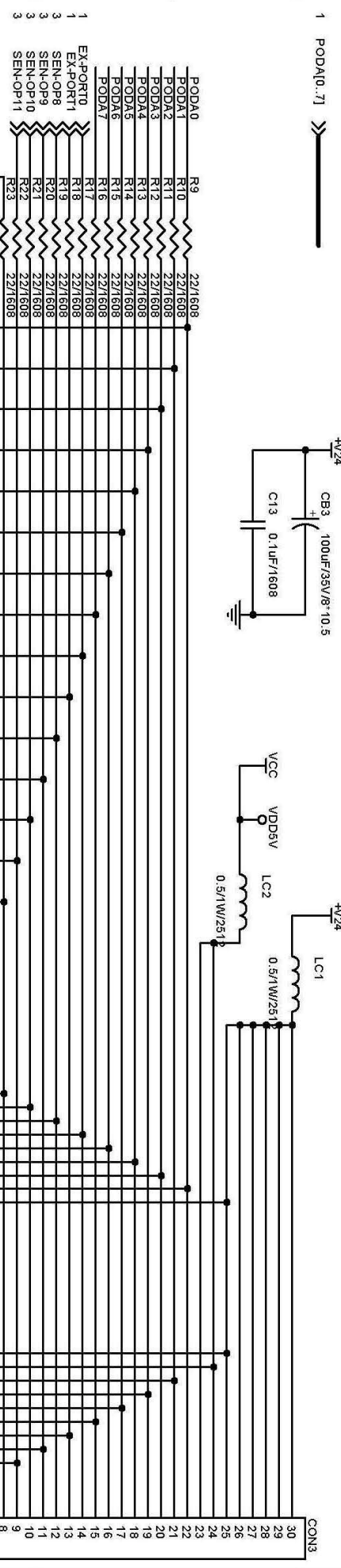


Title			<Title>
Size	Document Number	Rev	
A	<Doc>	<Rev>	<Code>
Date: Friday, September 21, 2007		Sheet	1 of 1

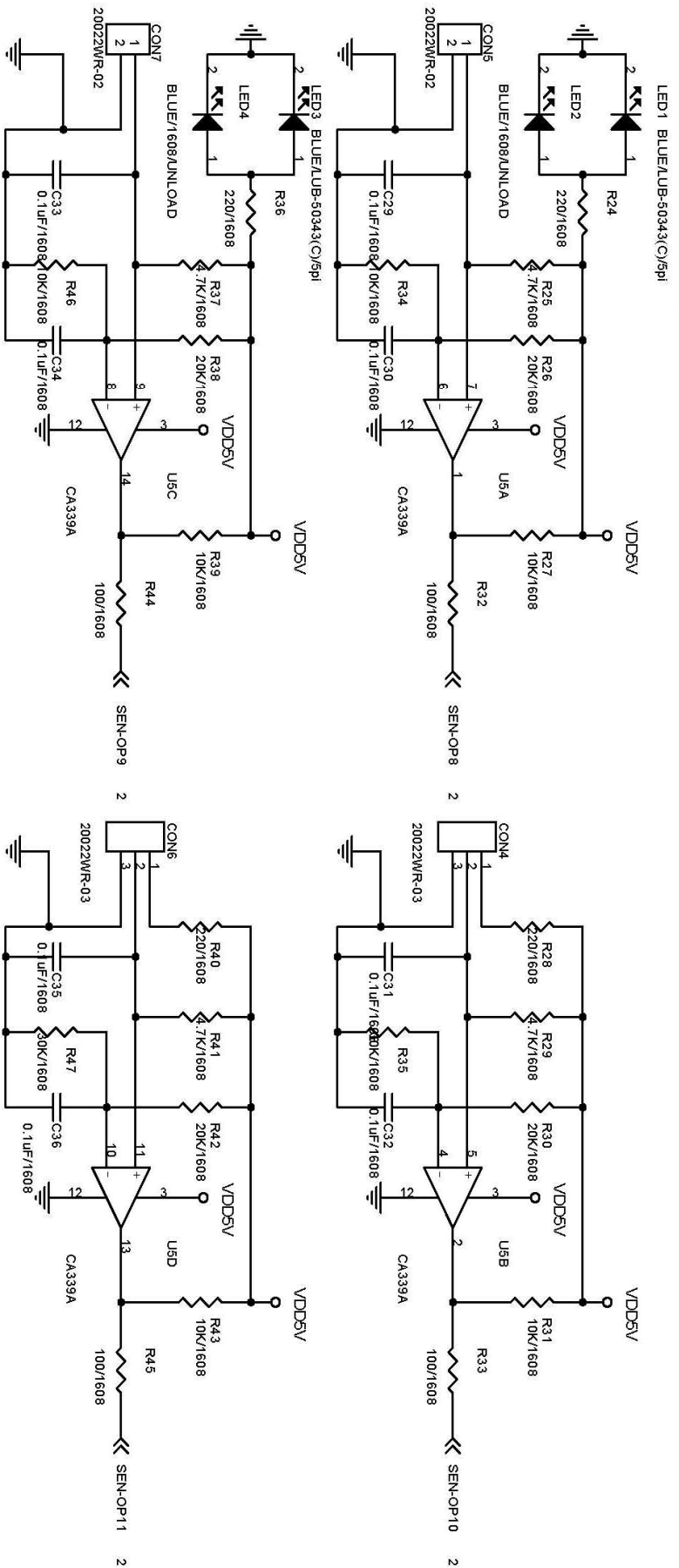
4) ROTATOR CIRCUIT



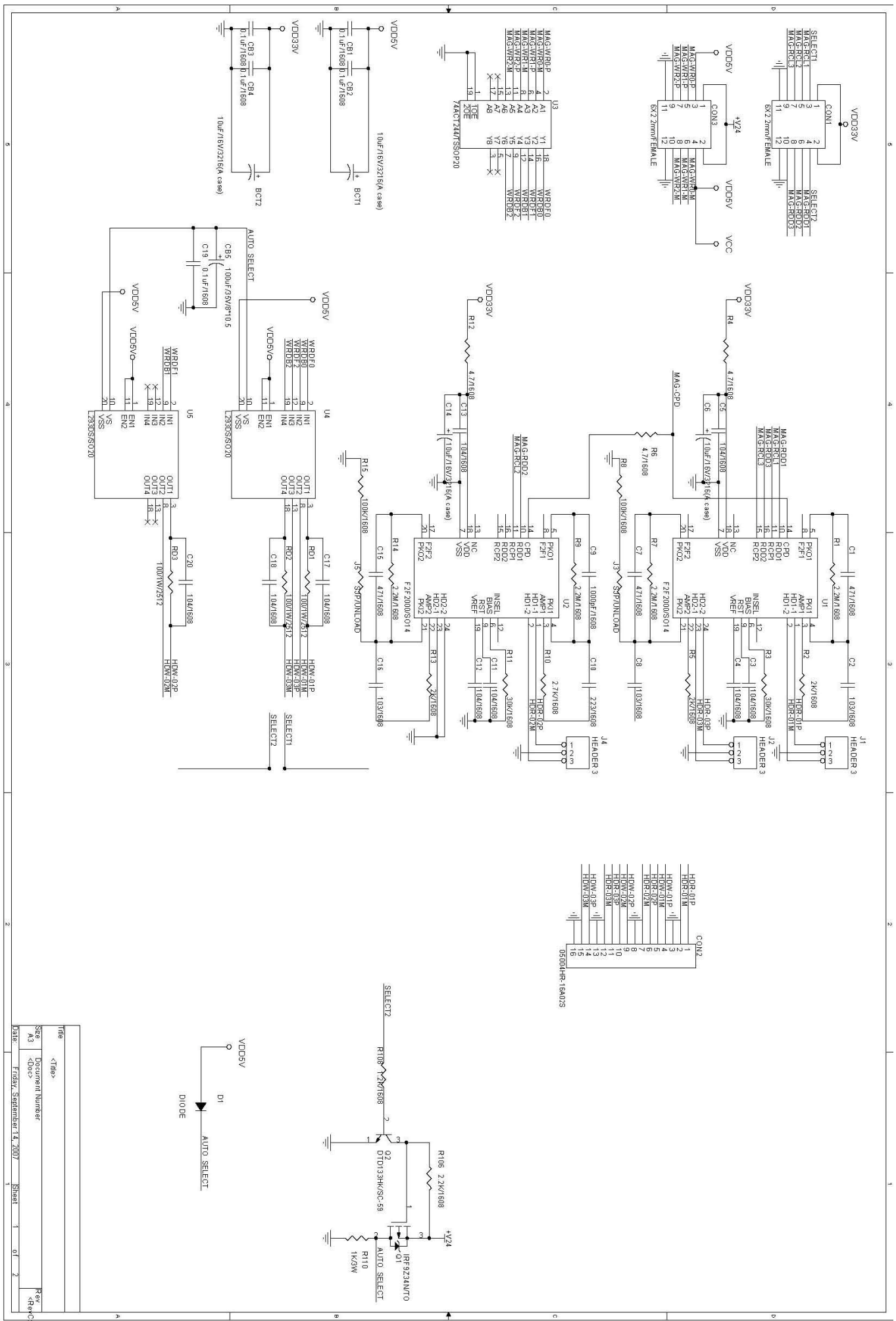
Title	<Title>
See	Document Number
File	<Doc>
Date	Friday, Mar 18, 2007
Sheet	1 of 4
Rev	<Rev Code>



Title		<Title>
Size		A4
Document Number		<Doc>
Date:	Friday, May 18, 2007	Sheet 2 of 4
Rev		<Rev>



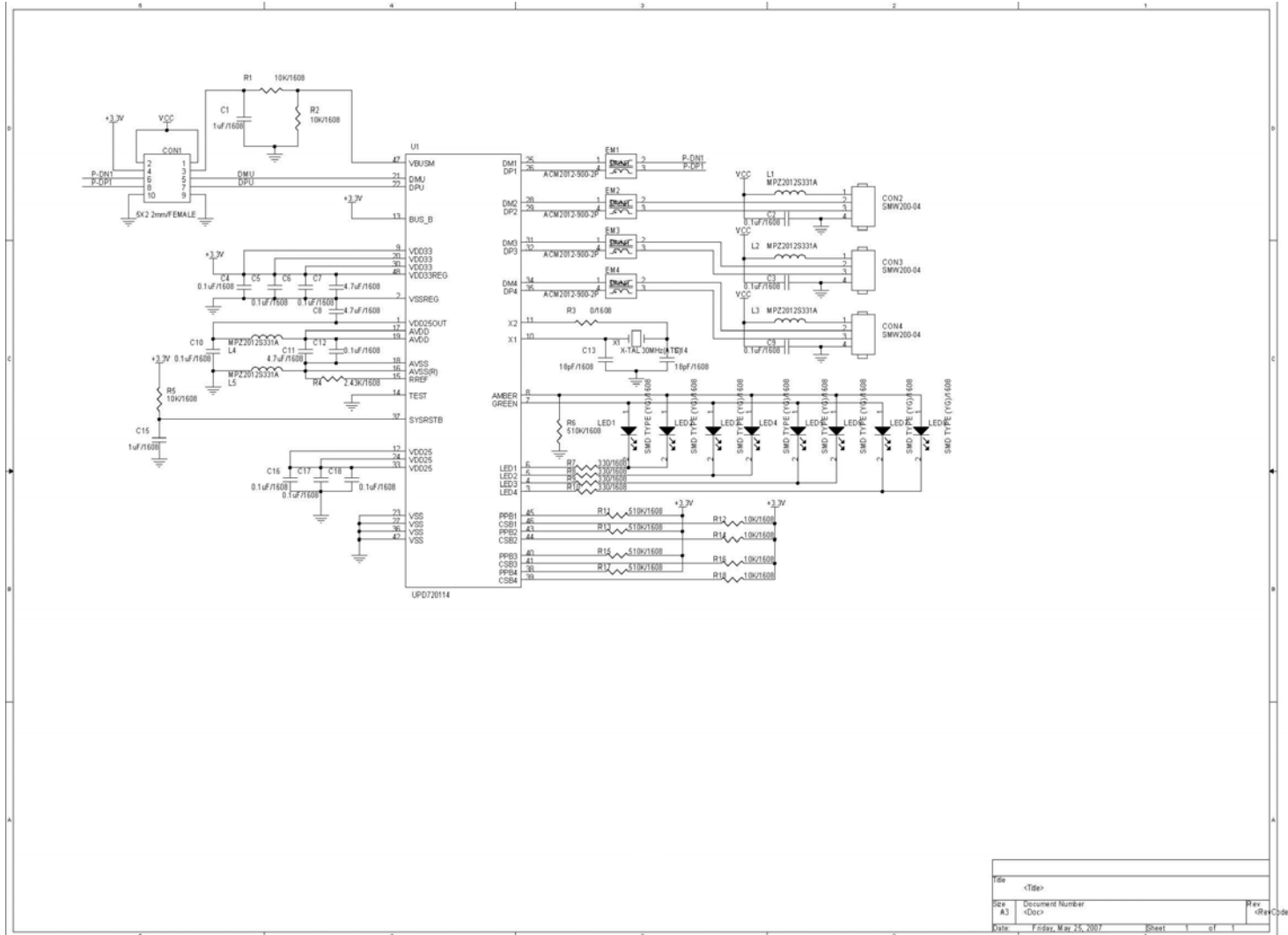
Title		<Title>	
Size		A4	
Document Number		<Doc>	
Date:	Friday, May 18, 2007	Sheet	3 of 4
Rev		<Rev>	



Title	<Title>
Doc#	<Doc#>
Rev	<Rev>
Date	Friday, September 14, 2007
Sheet	1 of 2

Rev: <Rev>
 Date: Friday, September 14, 2007
 Sheet: 1 of 2

6) USB HUB CIRCUIT



Title	<Title>	Rev	<Rev>
Size	Document Number		
A3	<Doc>		
Date	F.03sw_May_25_2007	Sheet	1 of 1