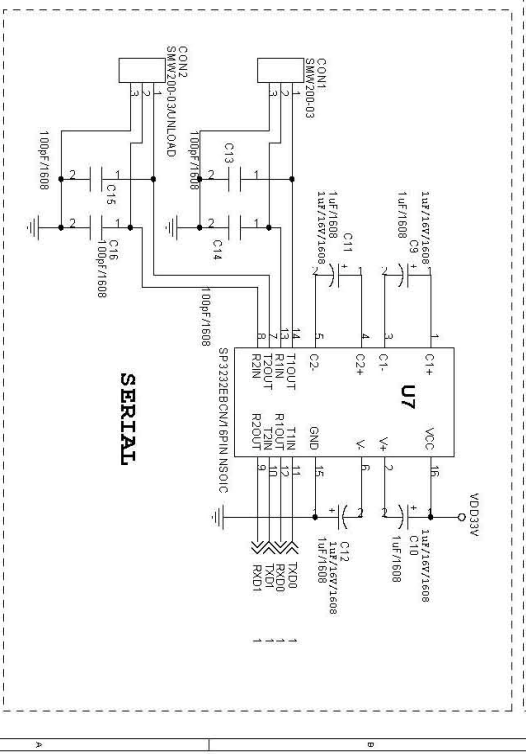
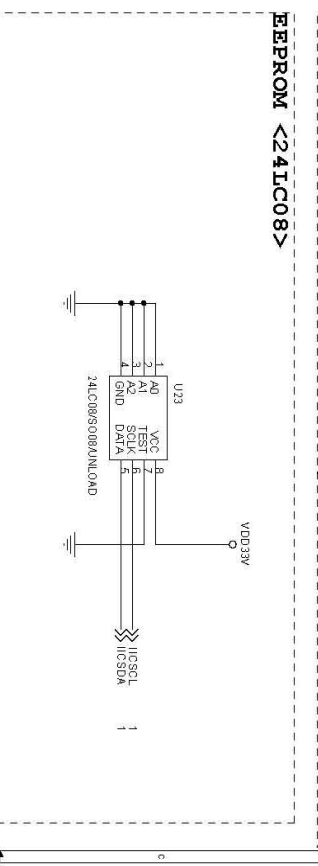
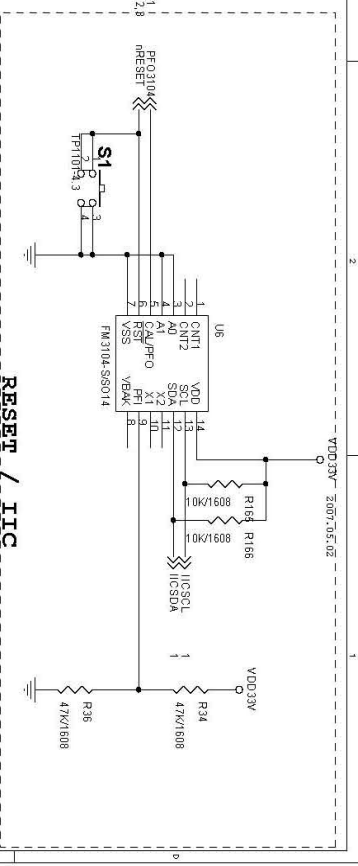
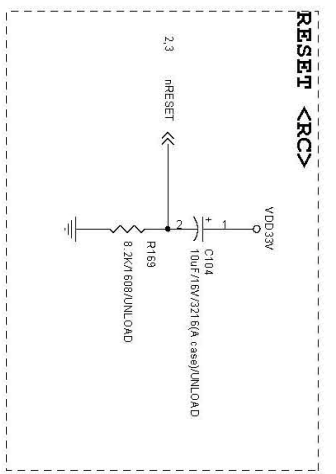
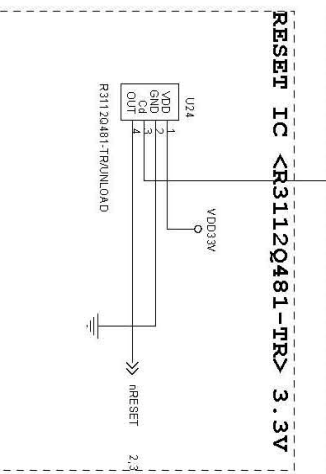
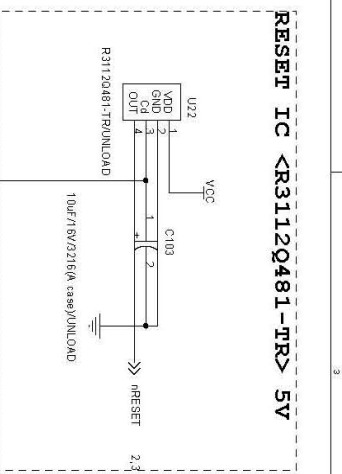
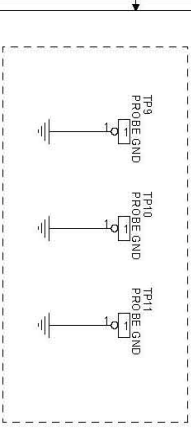
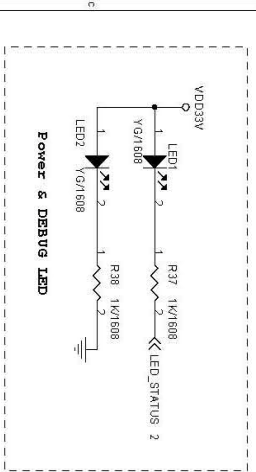
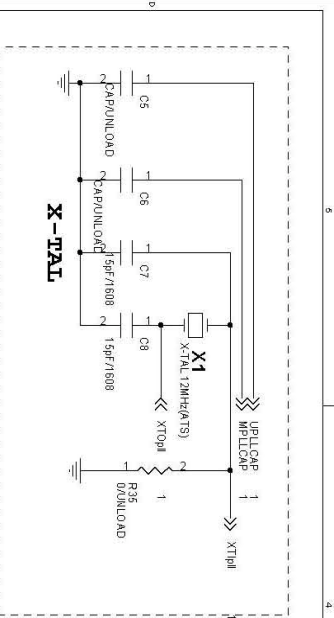
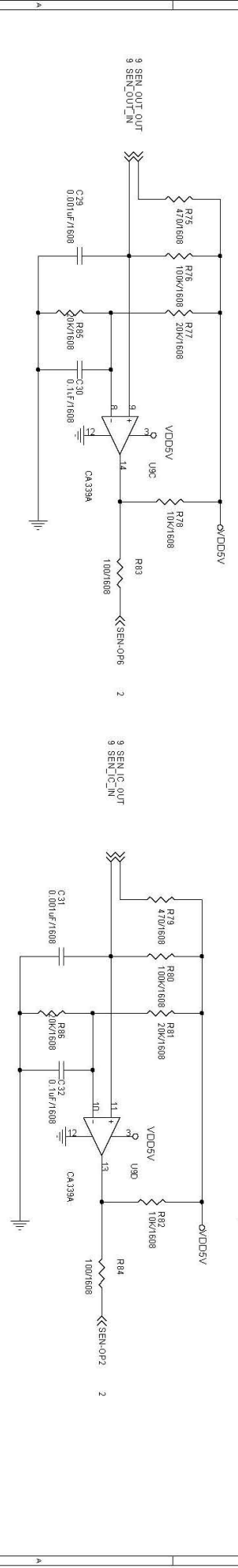
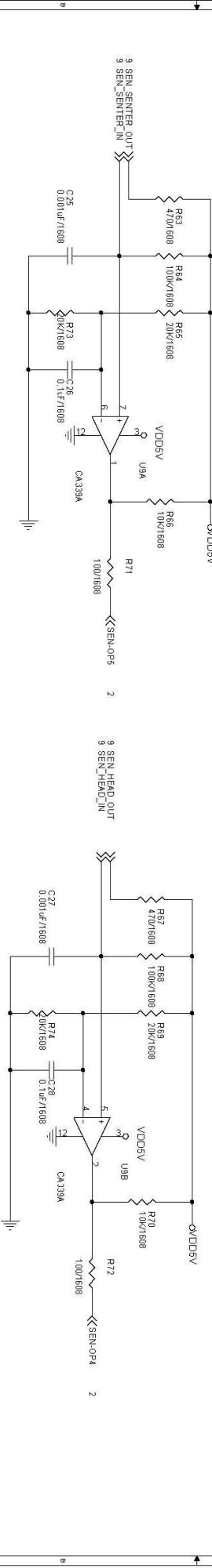
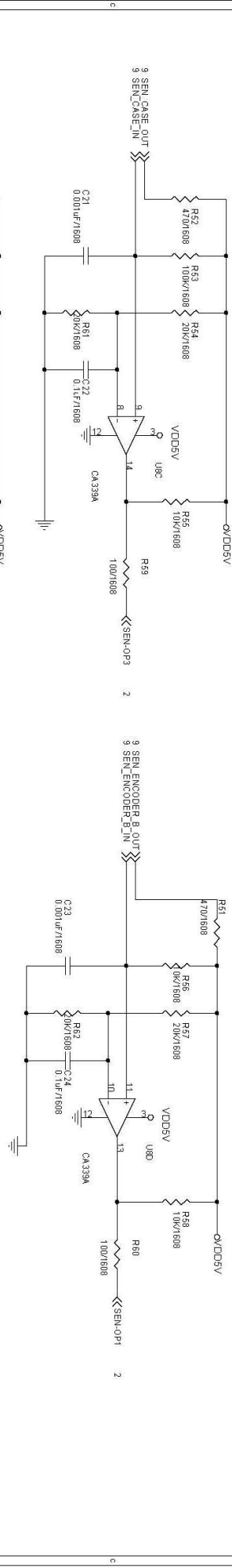
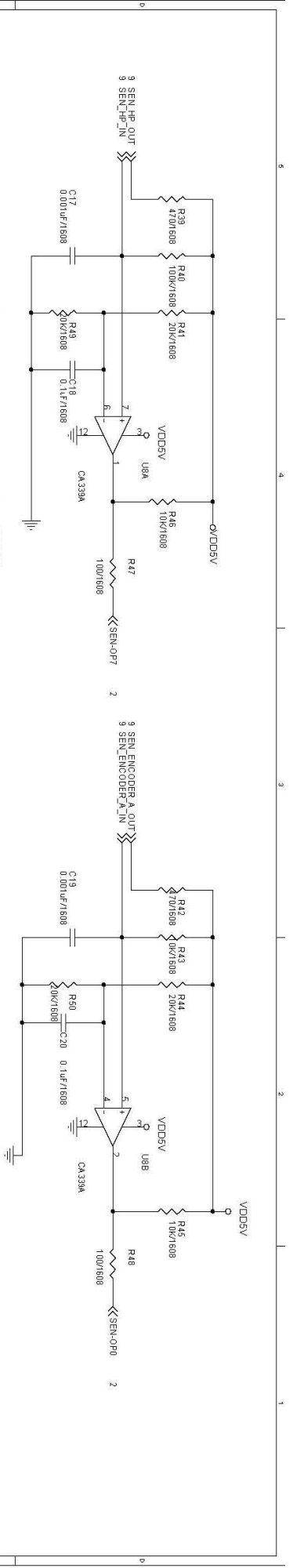


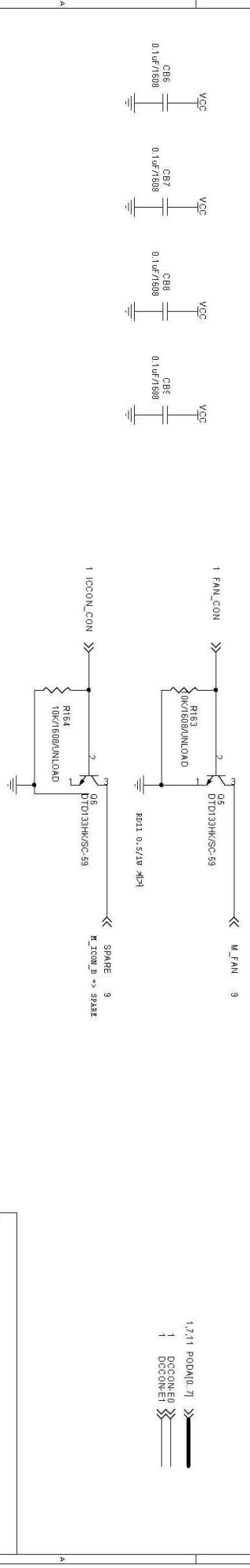
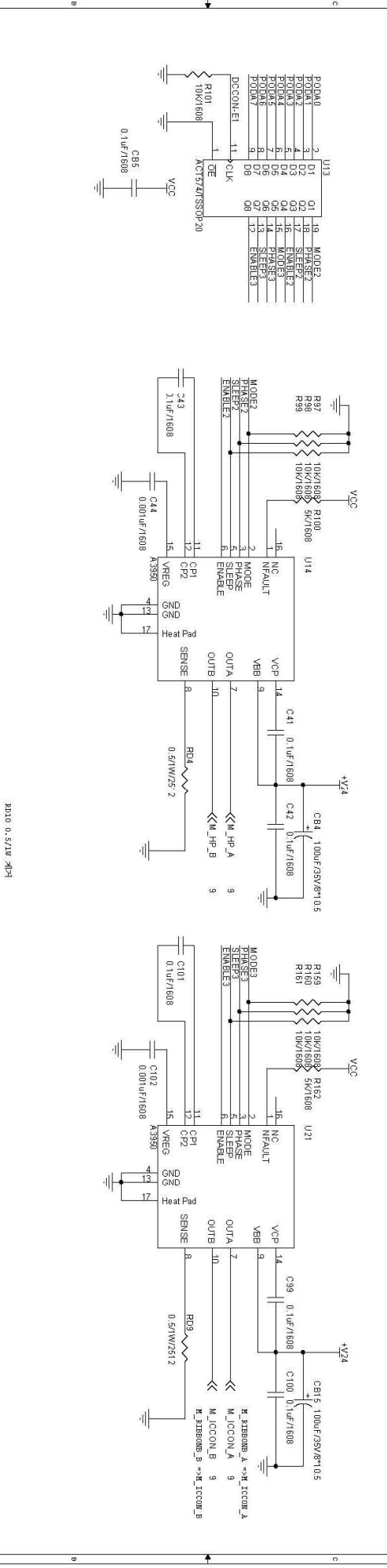
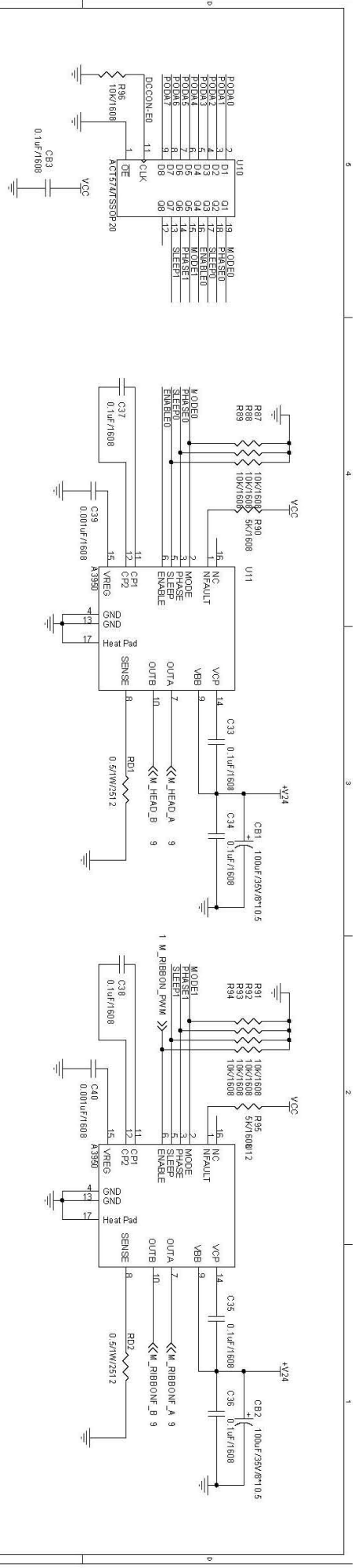
Title	<Title>
Std	Document Number
Ver	Doc#
Date	Wednesday, Jun 18, 2007
Sheet	3 of 14



File	<Title>	Rev	<Rev/Code>
Sheet	Document Number		
1A3	Q355		
Date	Friday, September 21, 2007	Sheet	4 of 14



Title	<Title>
Sheet	Document Number
93	4549
Date	Wednesday, July 18, 2007
Sheet	5 of 14
Rev	Rev
Change	Change



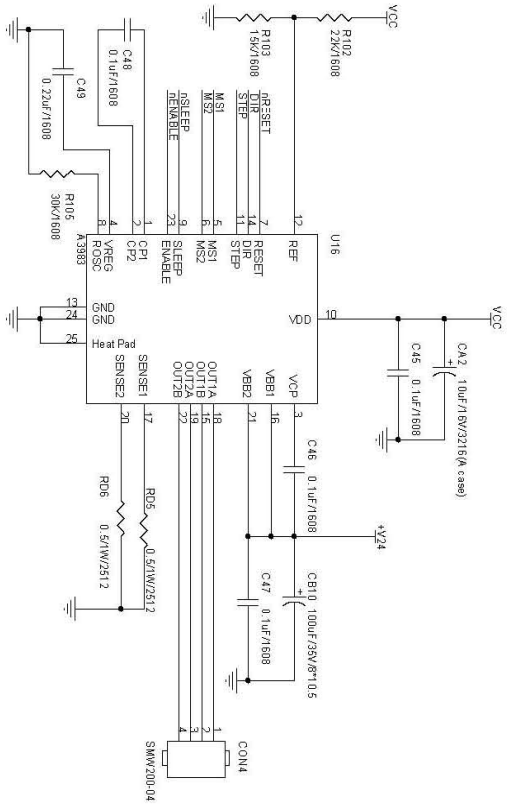
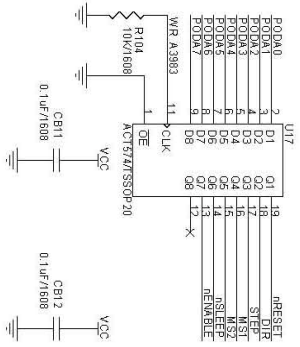
File	<Title>
Size	Document Number
KAJ	<Doc>
Date	Friday, September 21, 2007
Sheet	6 of 14
Rev	Rev (K) (C) (d)

1.7.11 P0D0M0..71

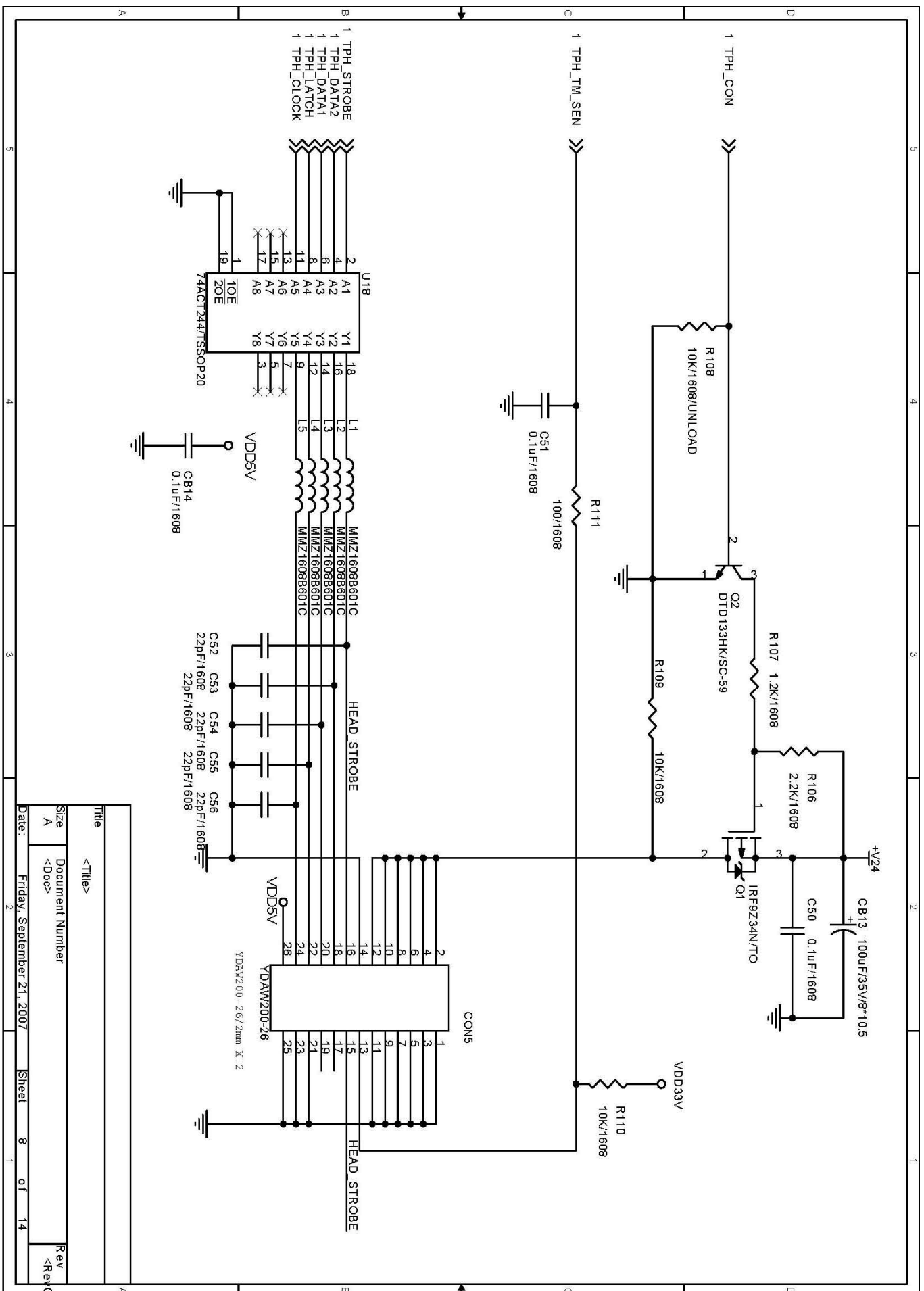
1 DCCON-E0

1 DCCON-E1

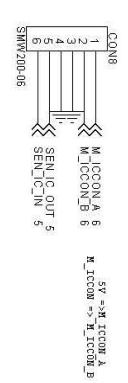
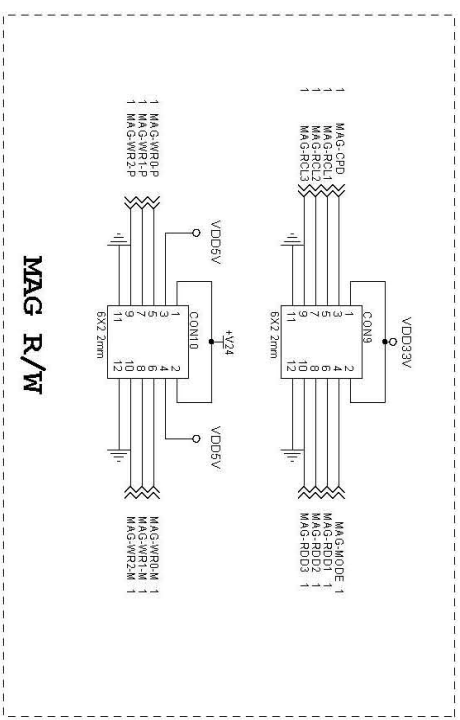
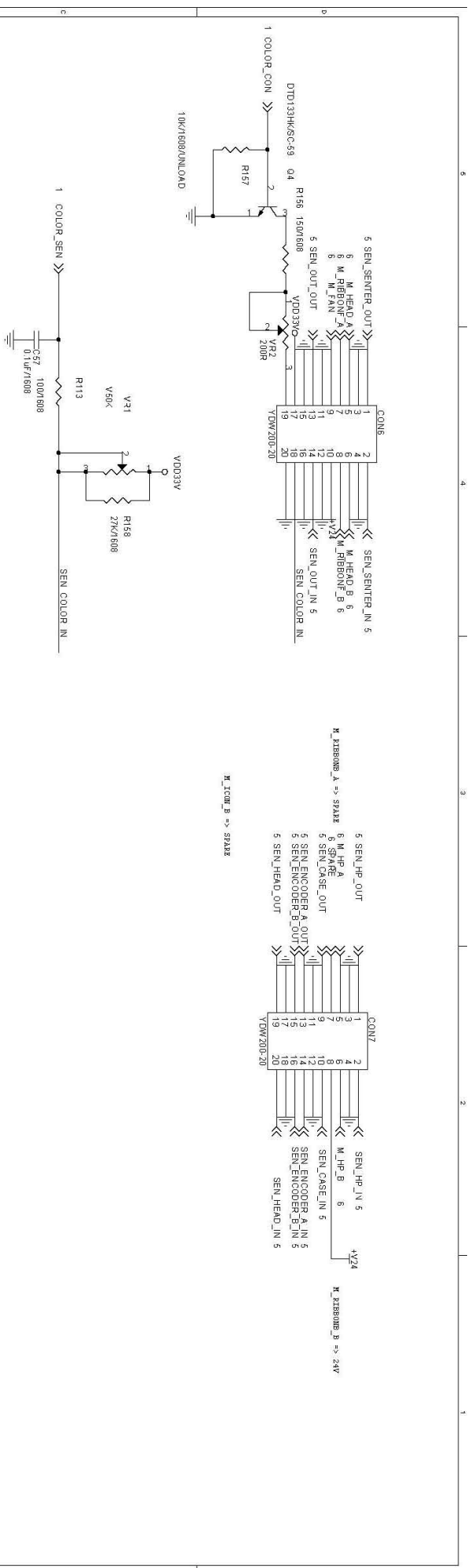
POP0410_71_1.6.11
WRP_A3983



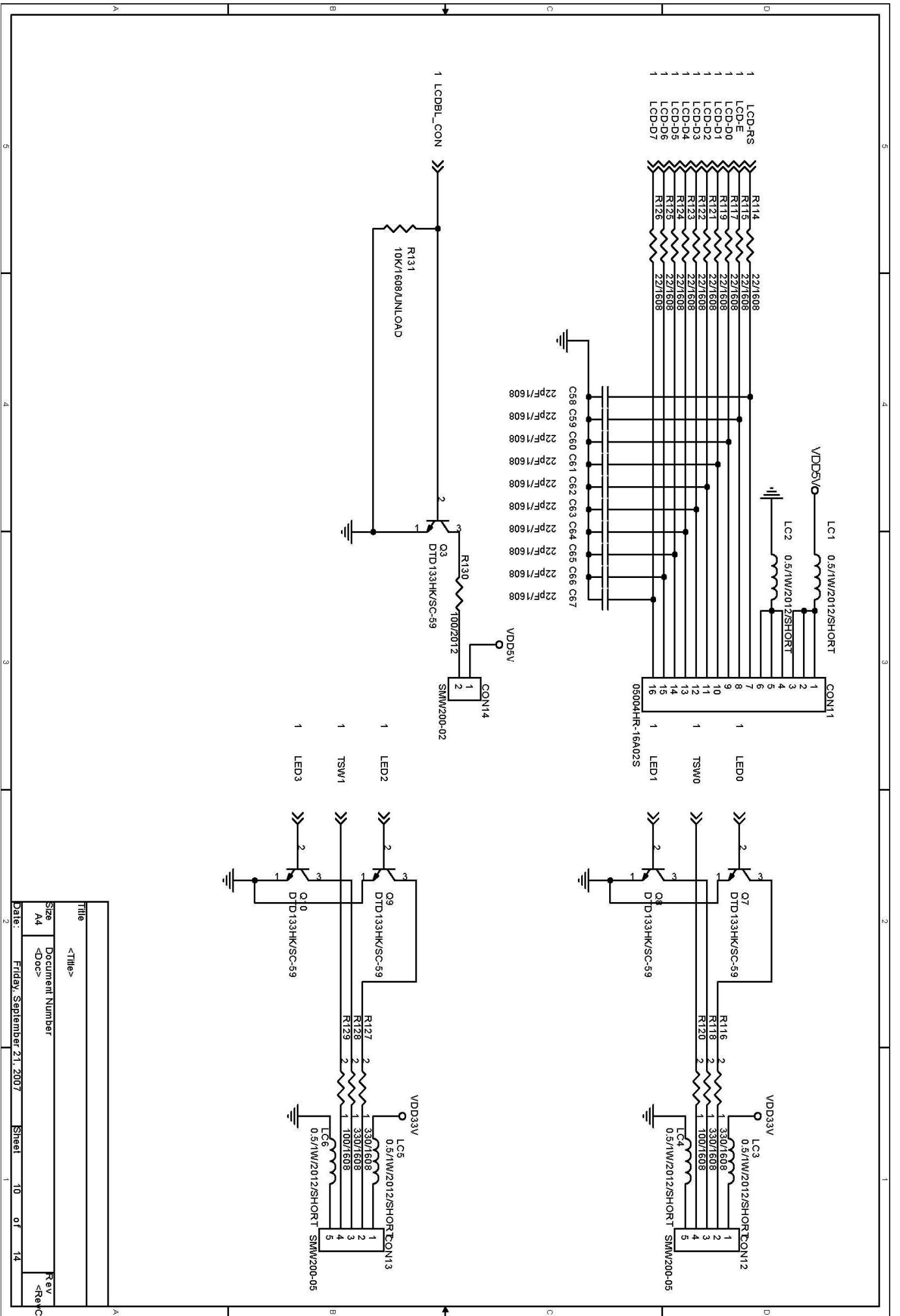
Title	<Title>
Size	A3
Document Number	<Doc>
Date	Friday, September 21, 2007
Sheet	7 of 14
Rev	<Rev>
CR	<CR>
Clde	<Clde>



Title	<Title>
Size	Document Number
A	<Doc>
Date:	Friday, September 21, 2007
Sheet	8 of 14
Rev	<Rev Code>



Title	<Title>
Size	A3
Document Number	<Doc>
Date	Friday, September 21, 2007
Sheet	9 of 14
Rev	<Rev>
File	<File>



Title		<Title>
Size		A4
Date:		Friday, September 21, 2007
Document Number	<Doc>	
Rev	<RevC>	
Sheet	10	of 14