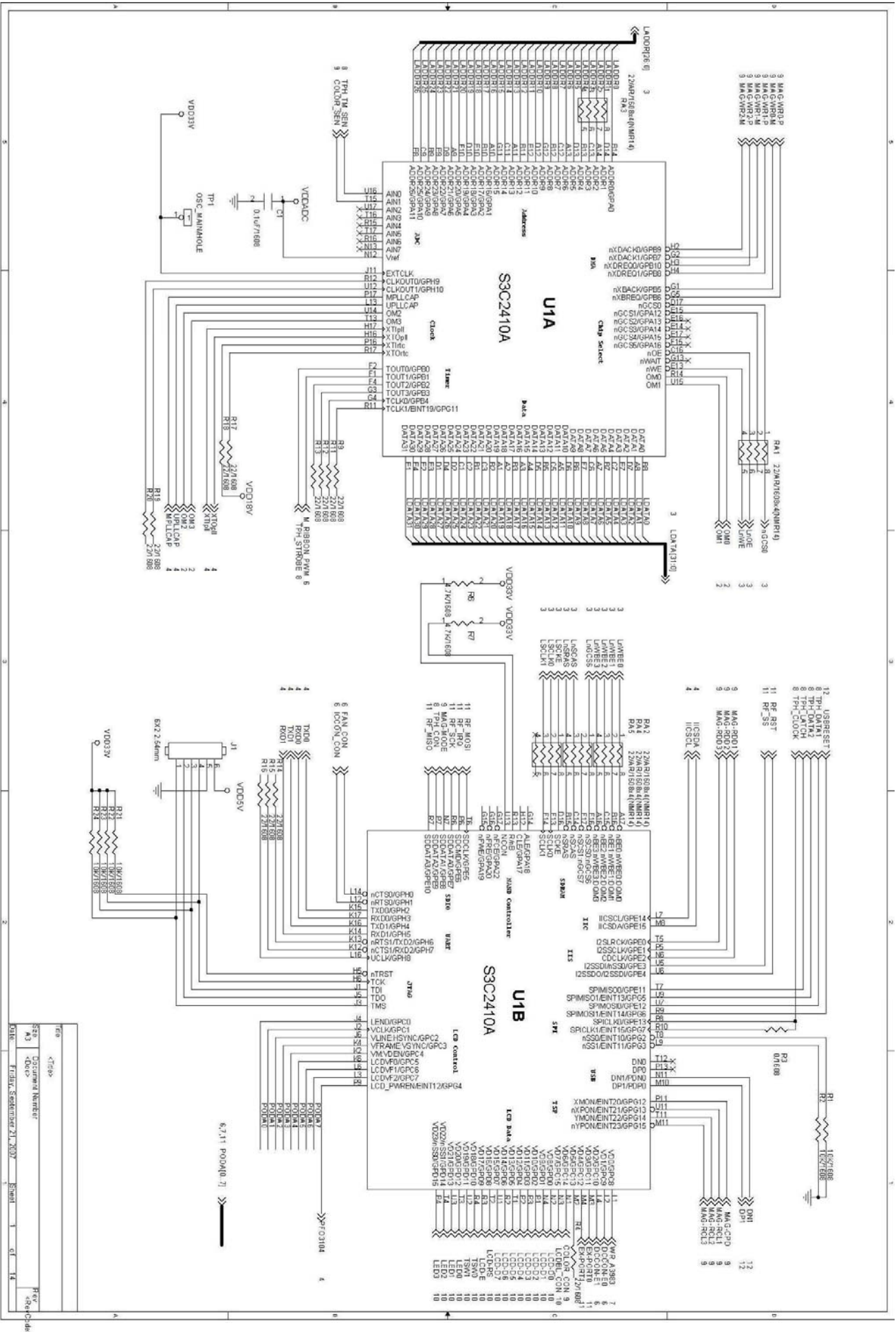
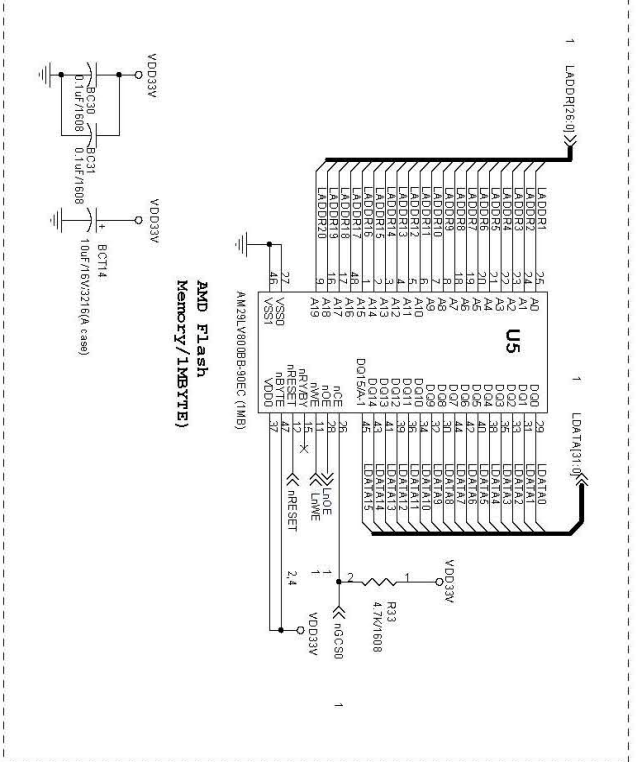
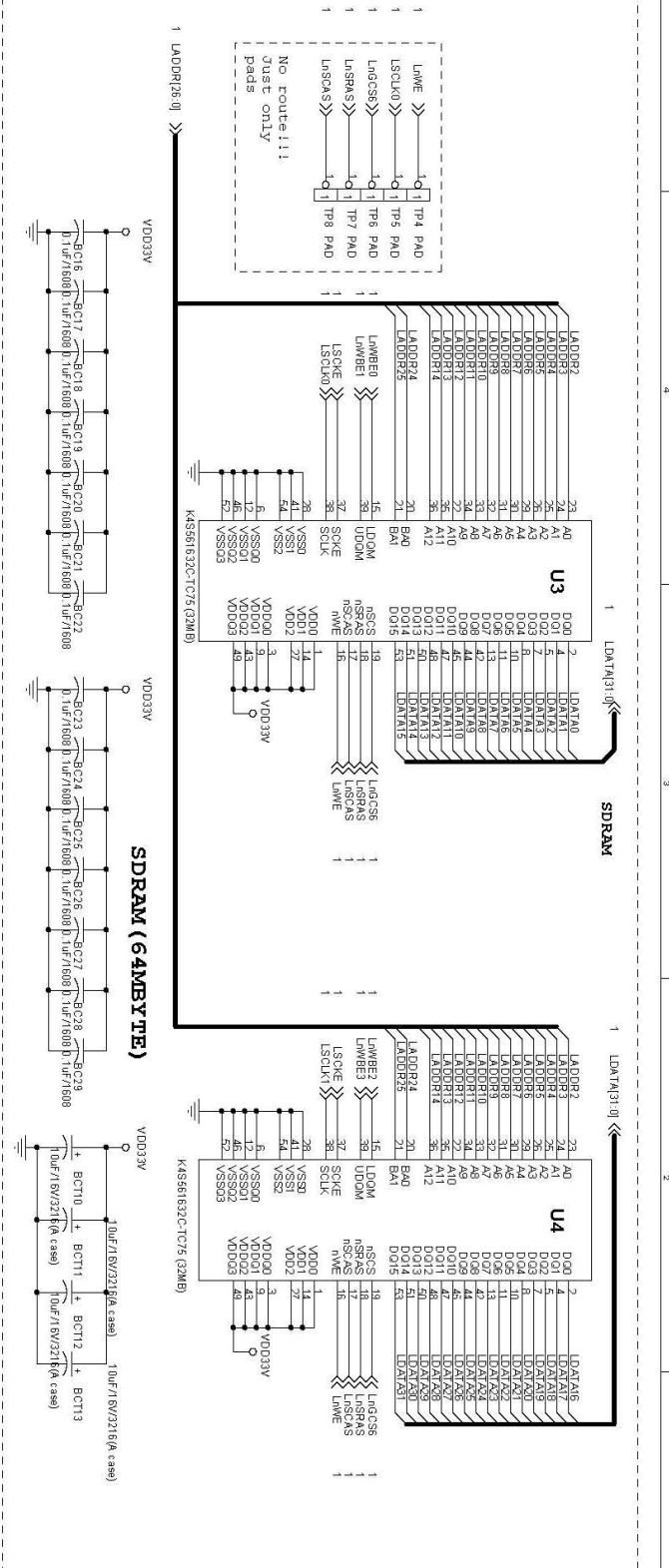
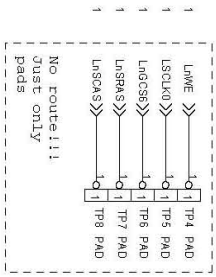


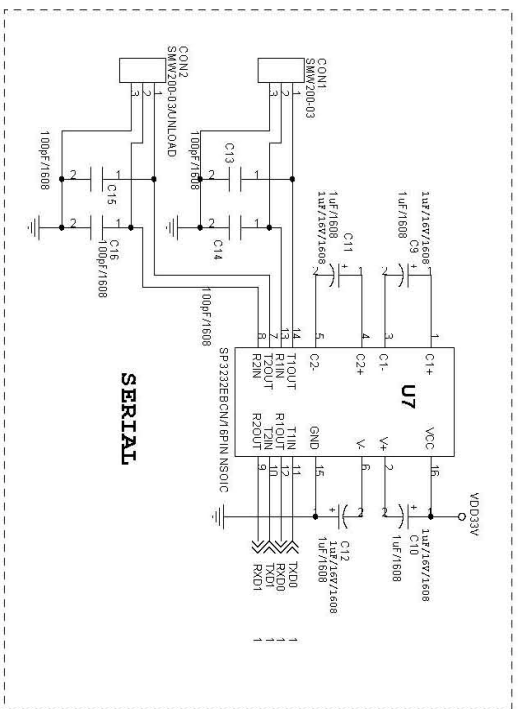
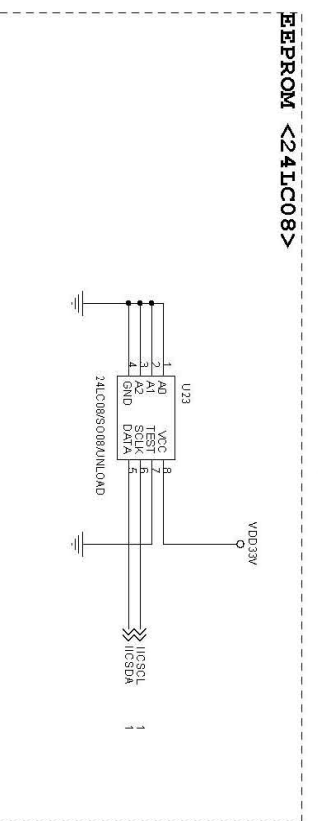
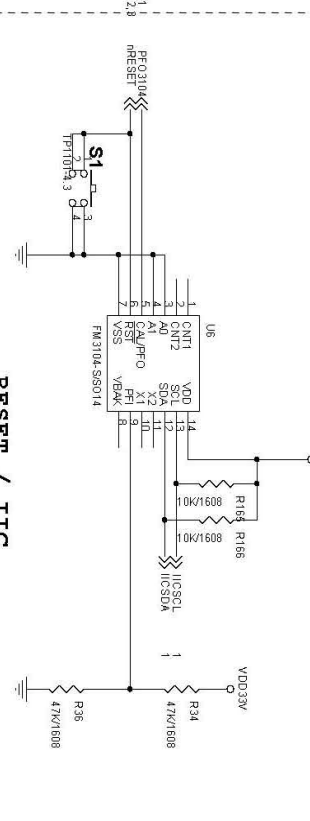
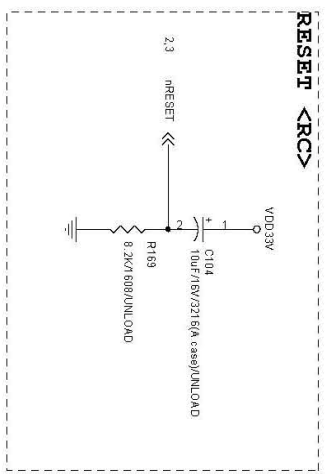
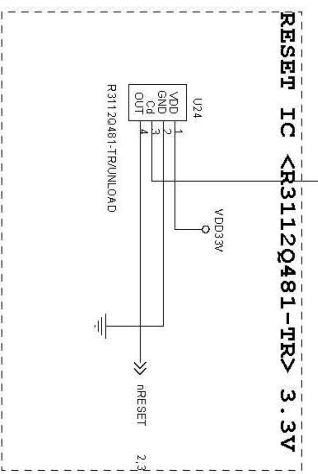
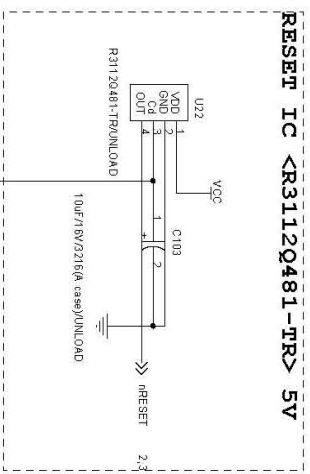
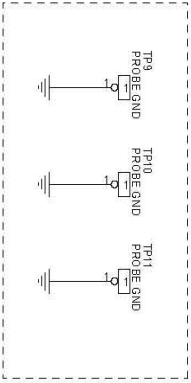
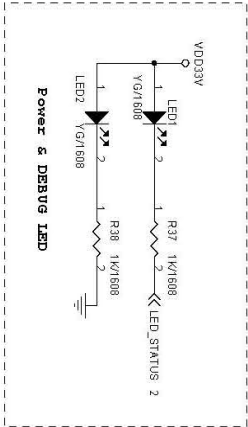
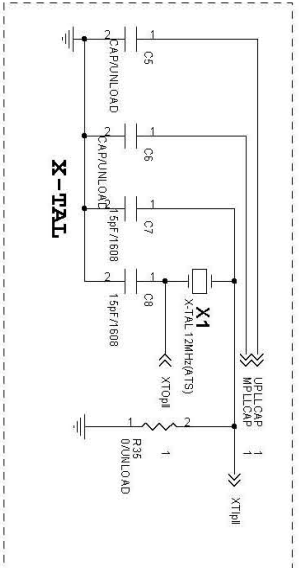
1. CIRCUIT

1) MAIN CIRCUIT

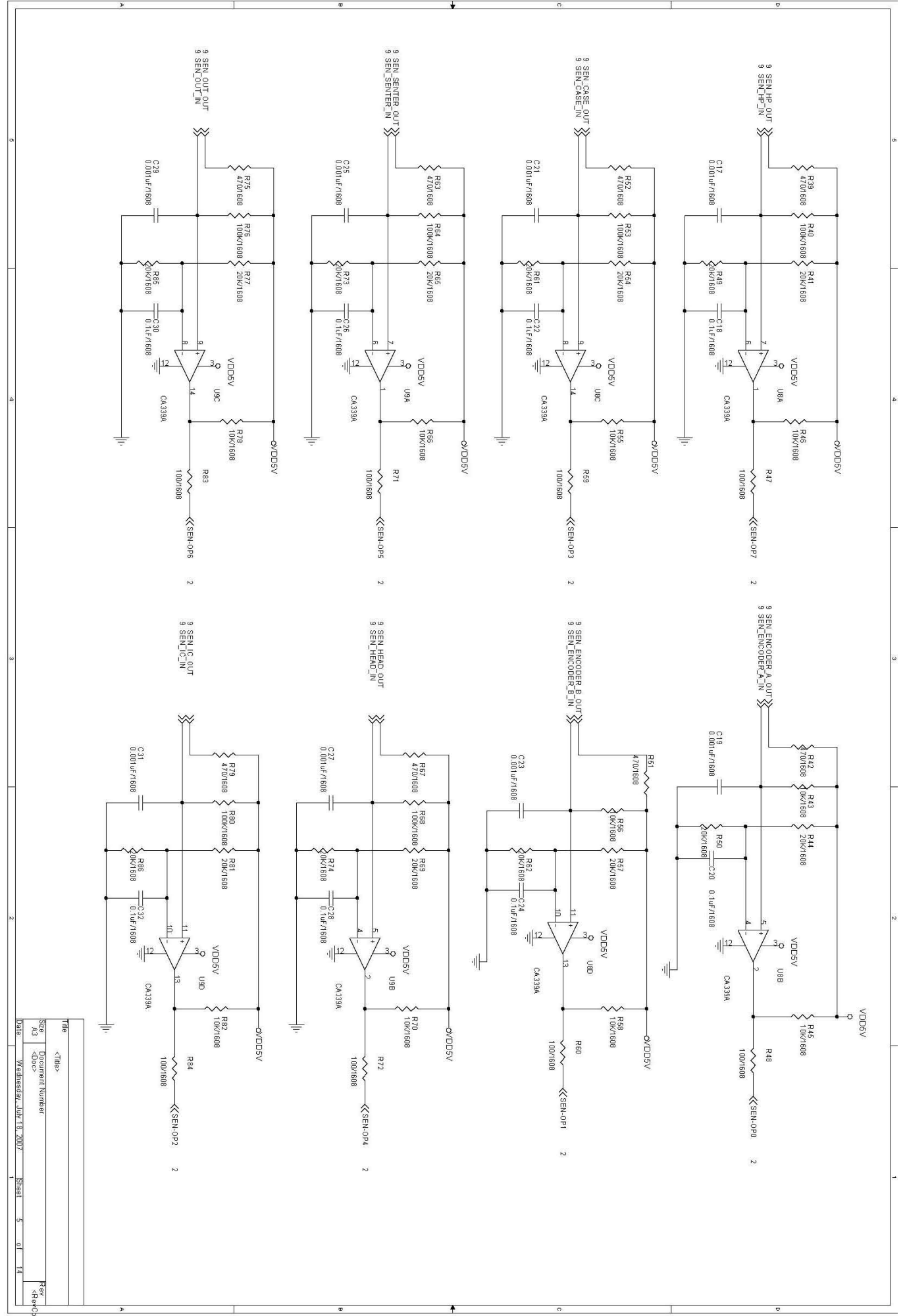




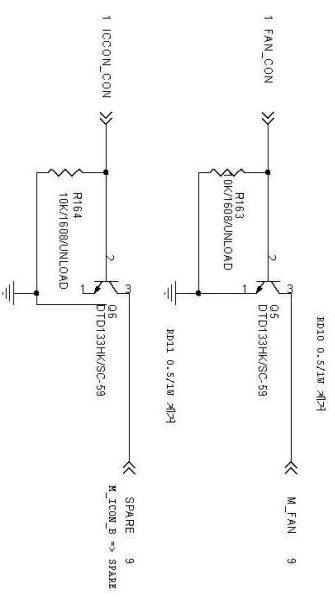
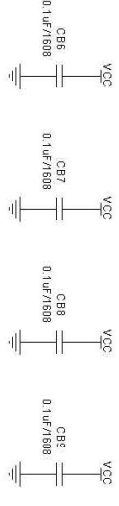
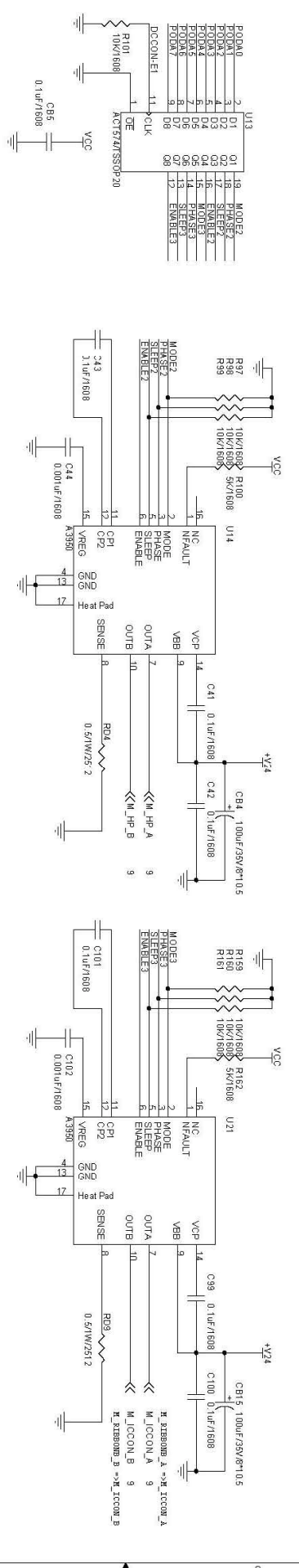
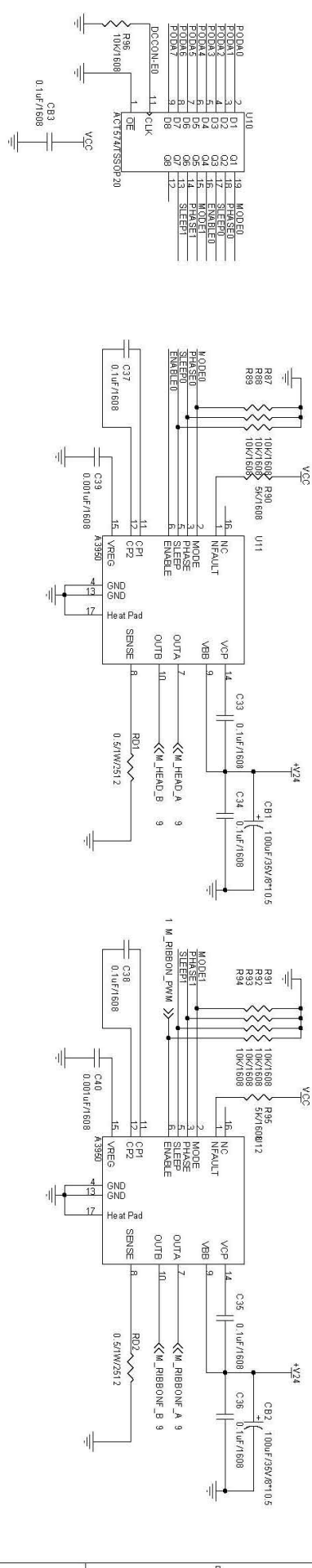
Title	<Title>
Doc. No.	<Doc. No. Code>
Revision	<Revision>
Date	Wednesday, July 18, 2007
Sheet	3 of 14



File	<Title>	Rev	<RevCode>
Doc	Document Number	3	
Doc	Doc	A3	
Date	Friday, September 21, 2007	Sheet	4 of 14

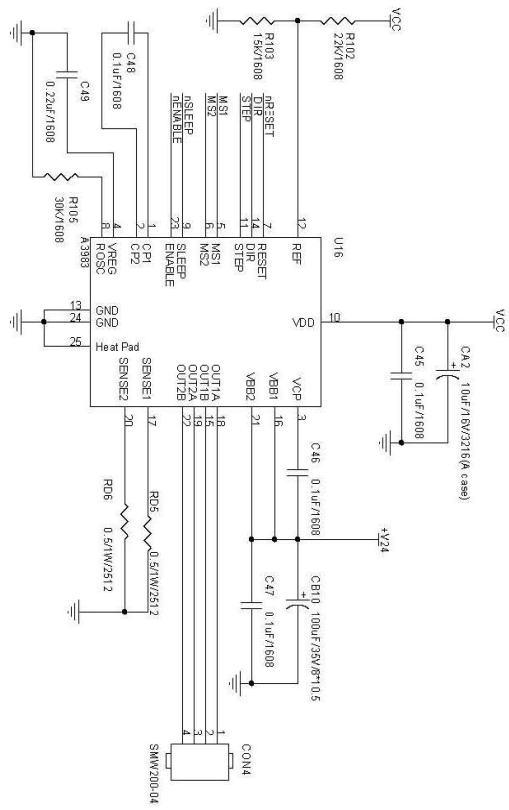
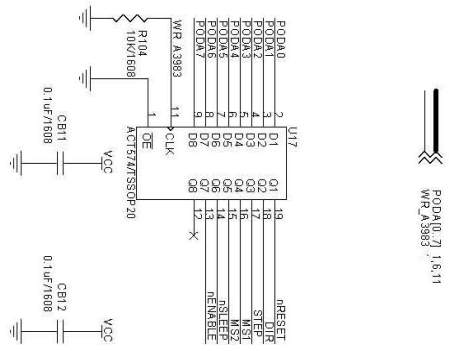


Title	<Title>
Sheet	5 of 14
Document Number	Rev: 1
Date	Wednesday, July 18, 2007

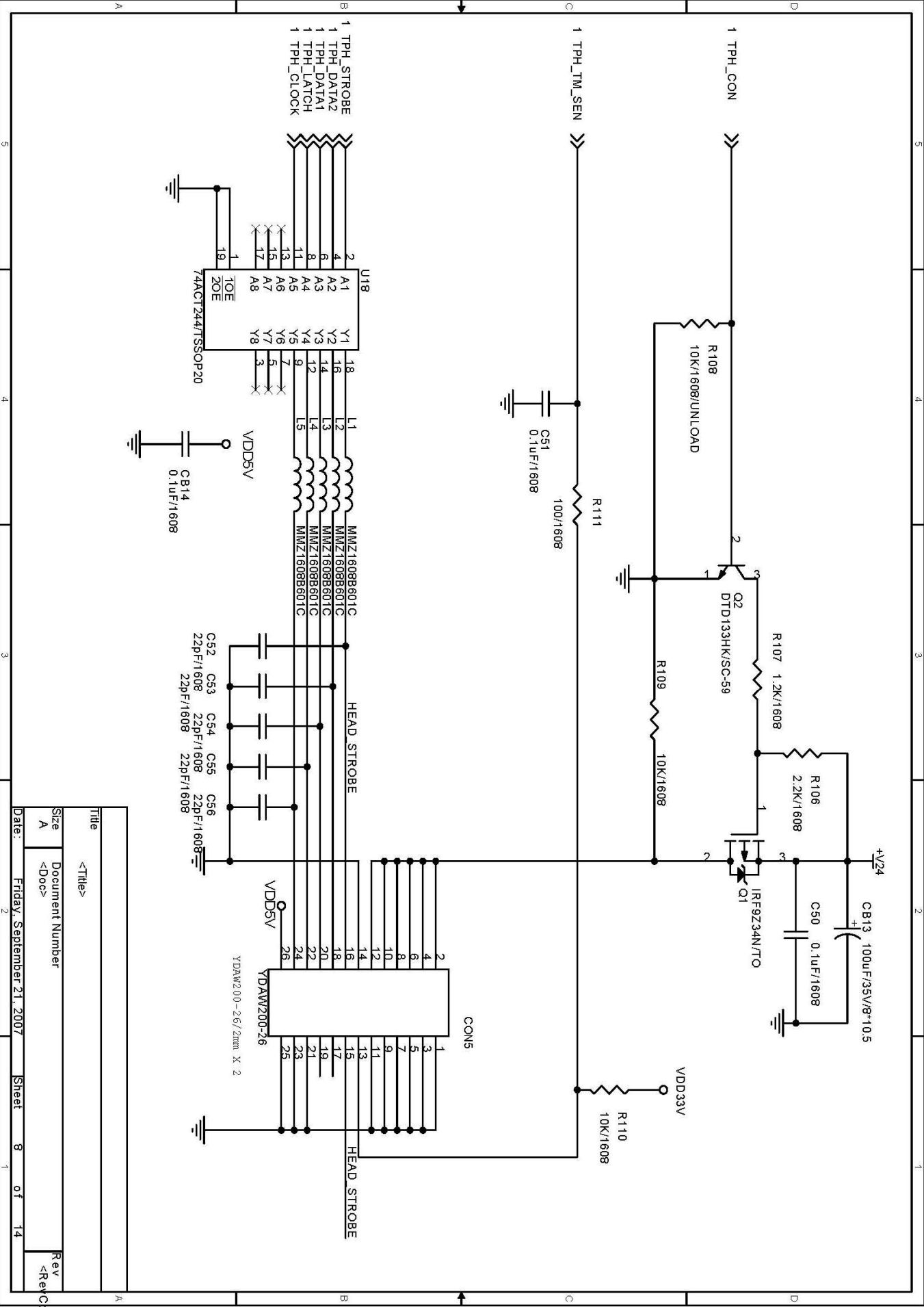


File	<Title>
Size	Document Number
PA	<Doc>
Date	Friday, September 21, 2007
Sheet	6 of 14
Rev	0
Author	chp

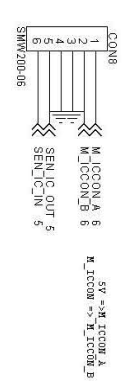
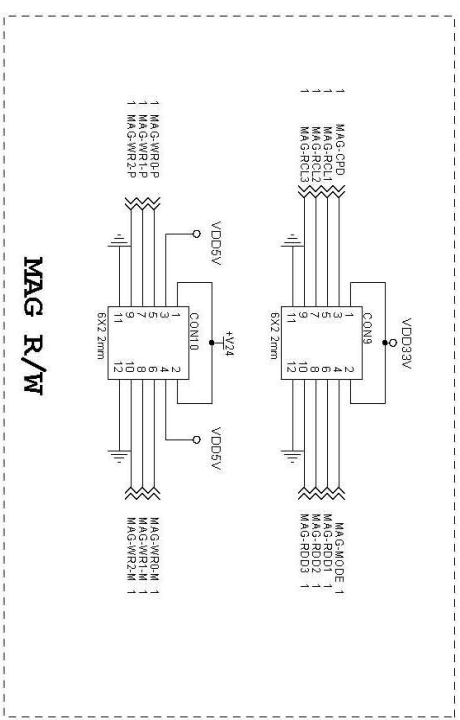
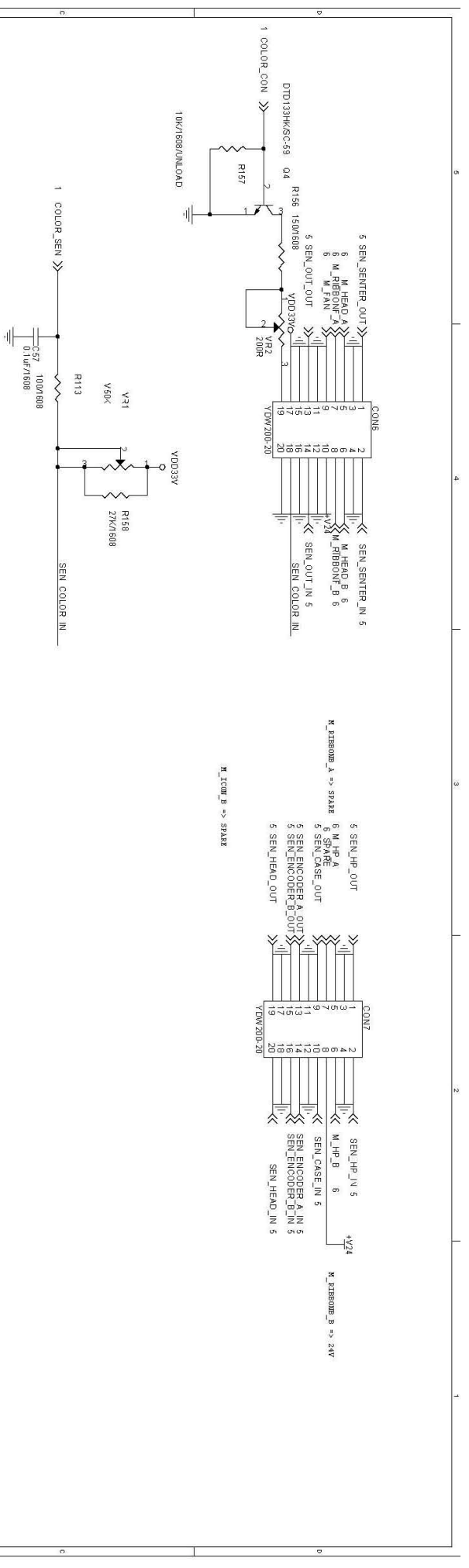
1.7.111 PODA0.1
 1 DCDCON*0
 1 DCDCON*1



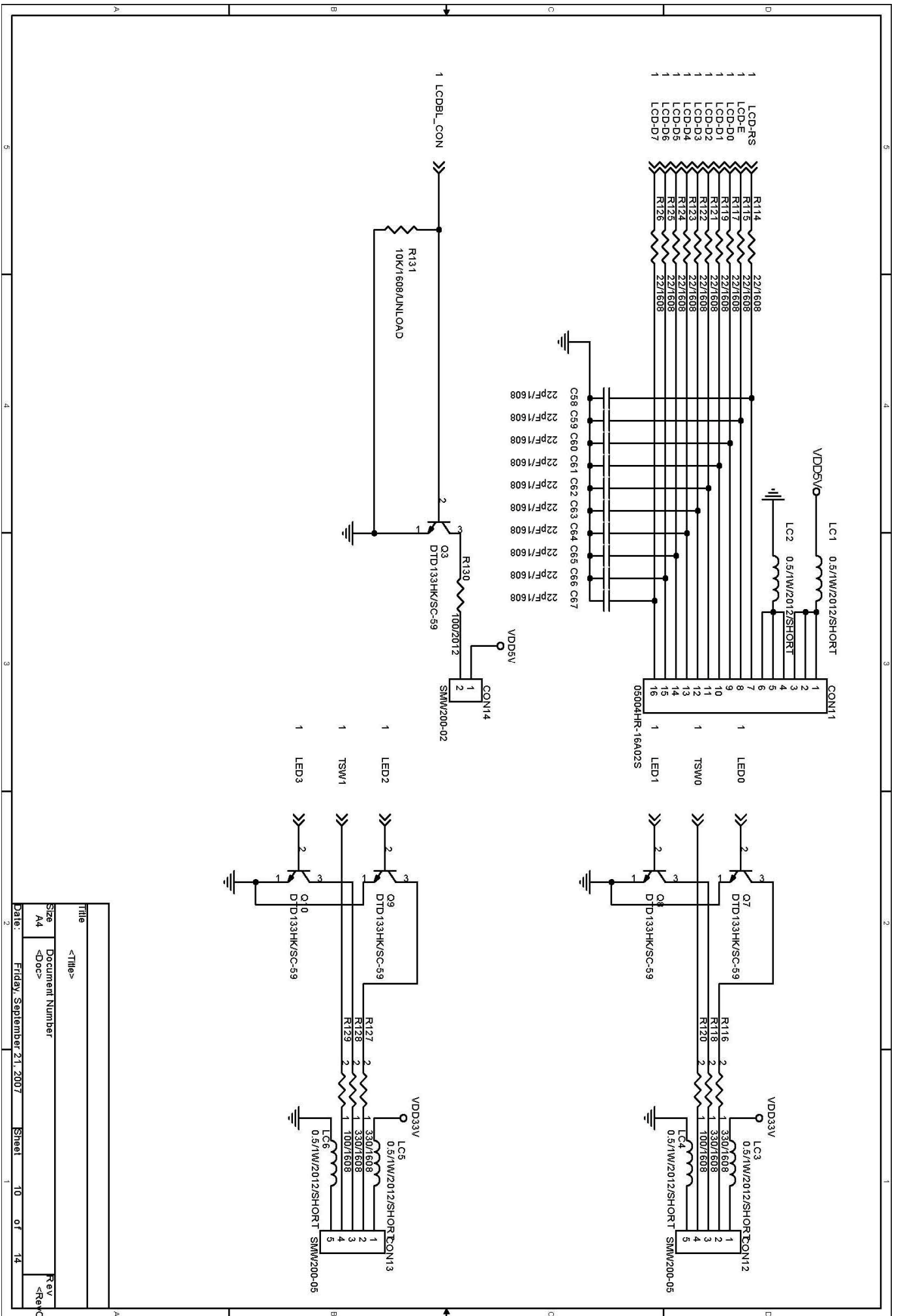
Title	<Title>
Size	A3
Document Number	<Doc>
Date	Friday, September 14, 2007
Sheet	7 of 14
Rev	<Rev>
Created	<Rev/Date>



Title	<Title>
Size	Document Number
A	<Doc>
Date:	Friday, September 21, 2007
Sheet	8 of 14
Rev	<Rev>
<Rev Chde>	

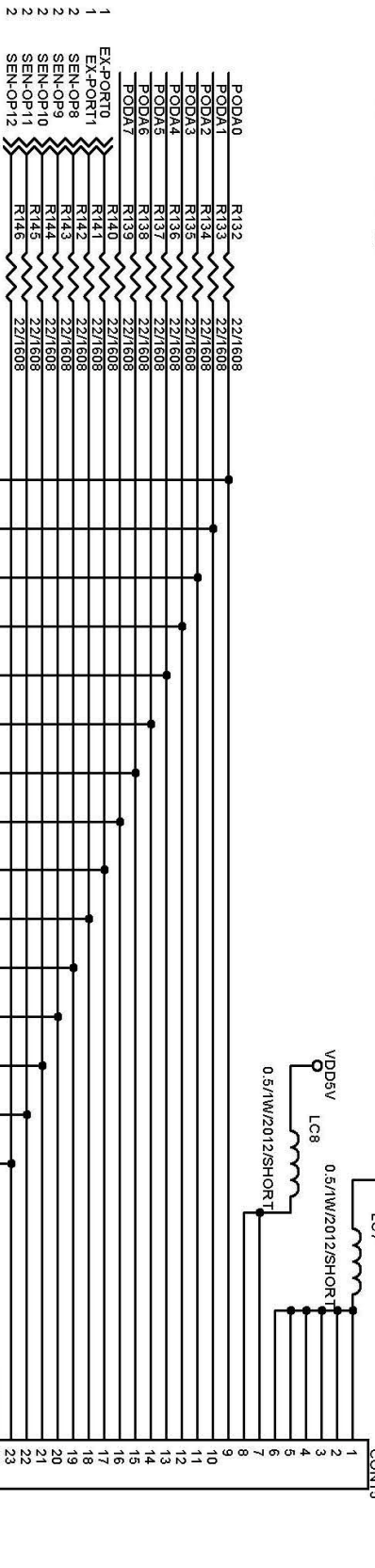


Title	<Title>
Size	A3
Document Number	<Doc>
Date	Friday, September 21, 2007
Sheet	9 of 14
Rev	<Rev>
Code	<Code>

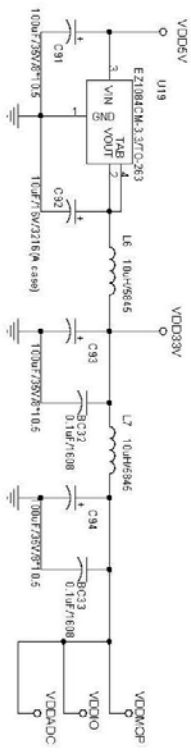
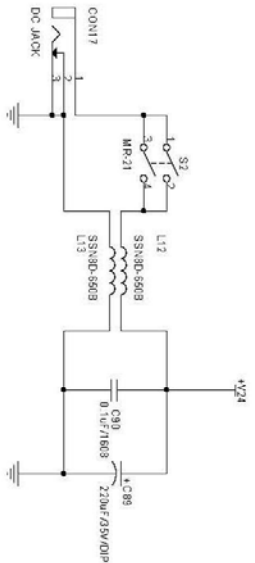


Title	<Title>
Size	A4
<Doc>	Document Number
Date:	Friday, September 21, 2007
Sheet	10 of 14
Rev	<RevC>

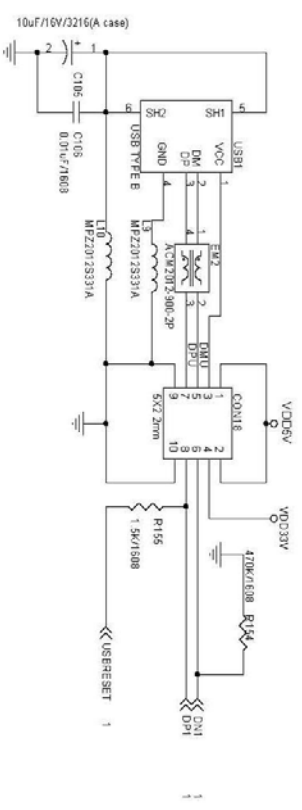
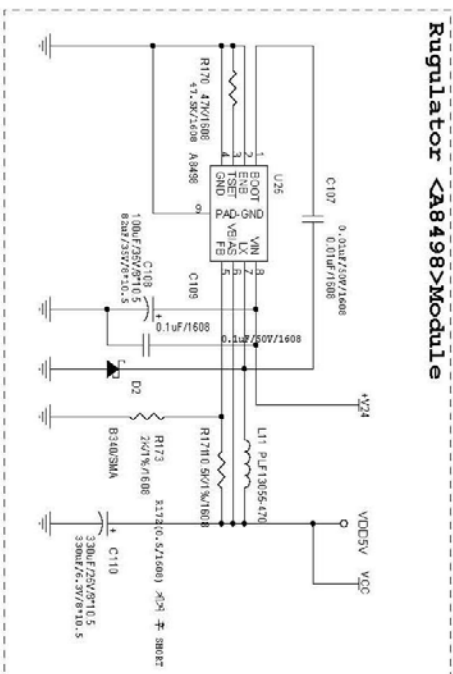
1.6.7 PODA[0..7]



Title		<Title>
Size	Document Number	Rev
A4	<Doc>	<Rev>
Date:	Wednesday, July 18, 2007	Sheet 11 of 14

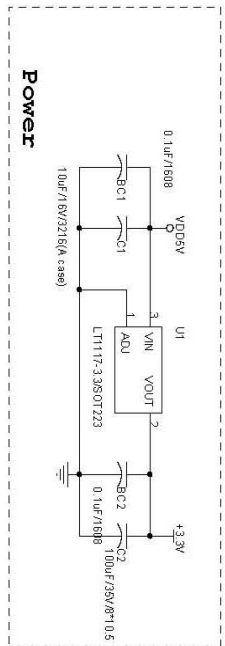
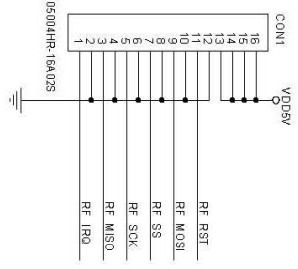


Regulator <A8498>Module

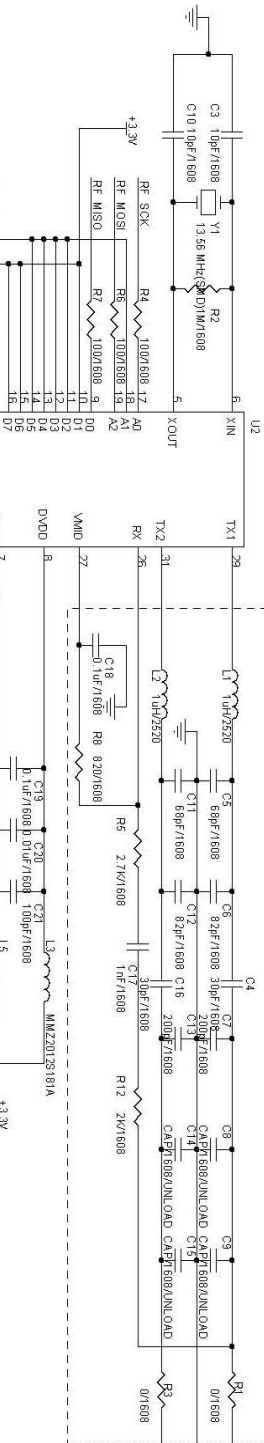


File	<Trio>
See	Document Number
Kit	<Doc>
Date	Thursday, October 18, 2007
Sheet	12 of 12
Rev	1.0
Kit	48498
Code	48498

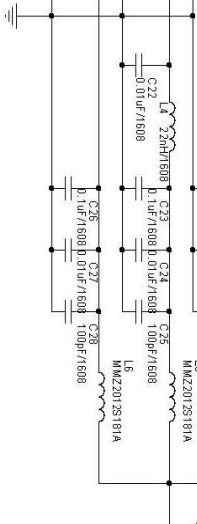
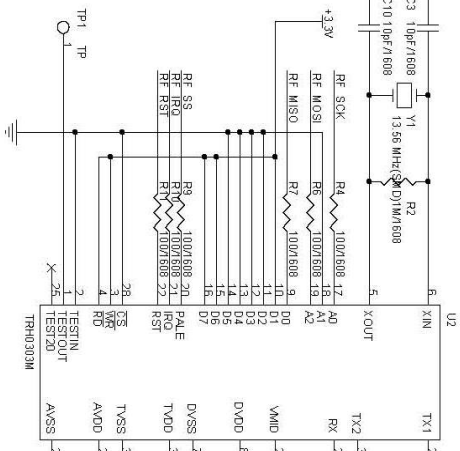
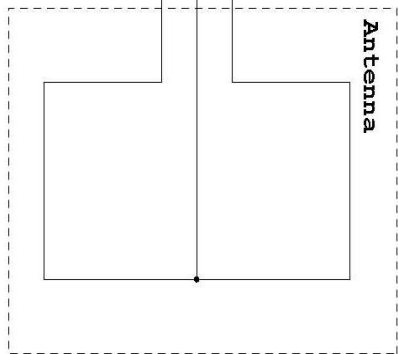
RF TAG CIRCUIT DIAGRAM



EMC_Filter & Matching Circuit

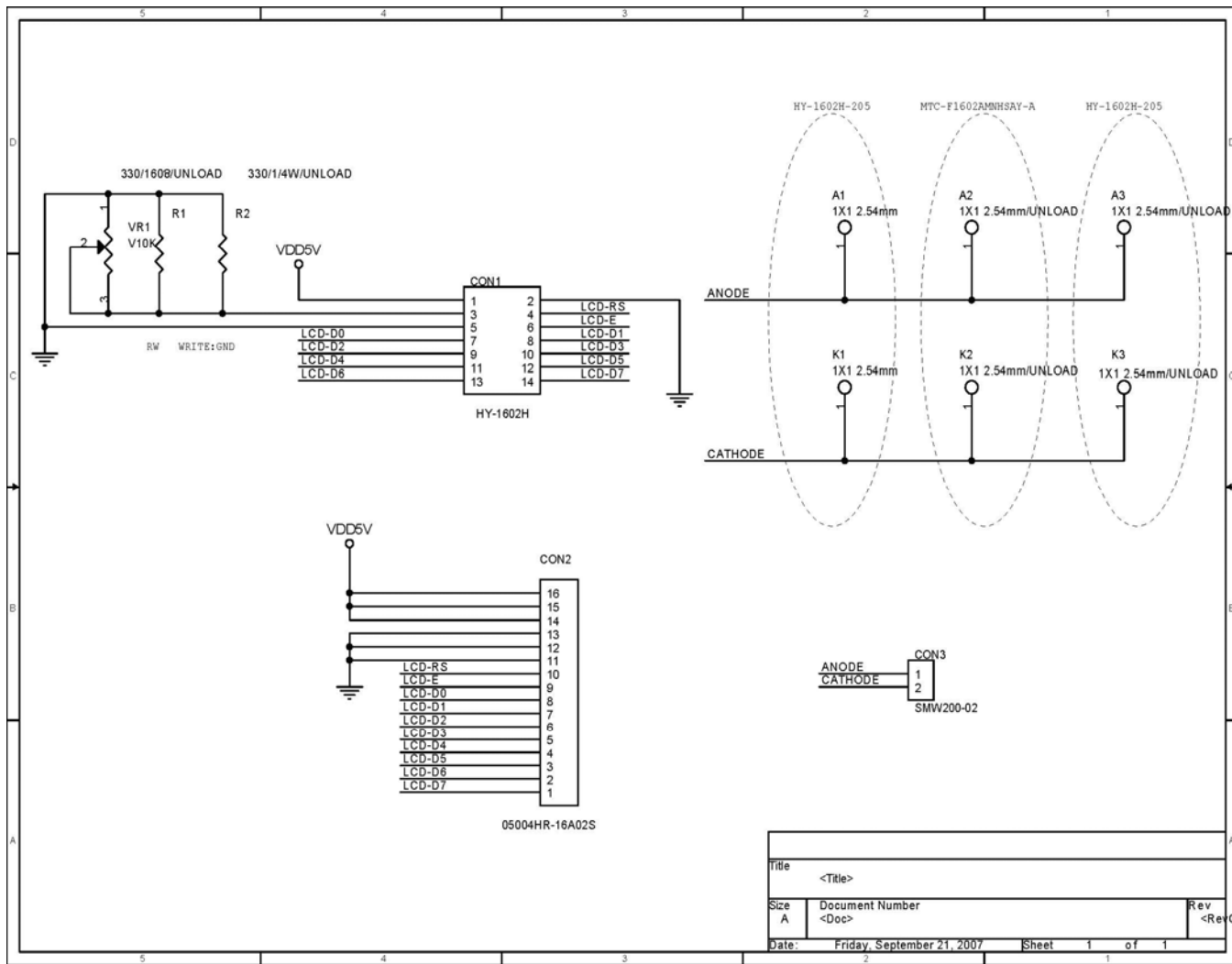


Antenna



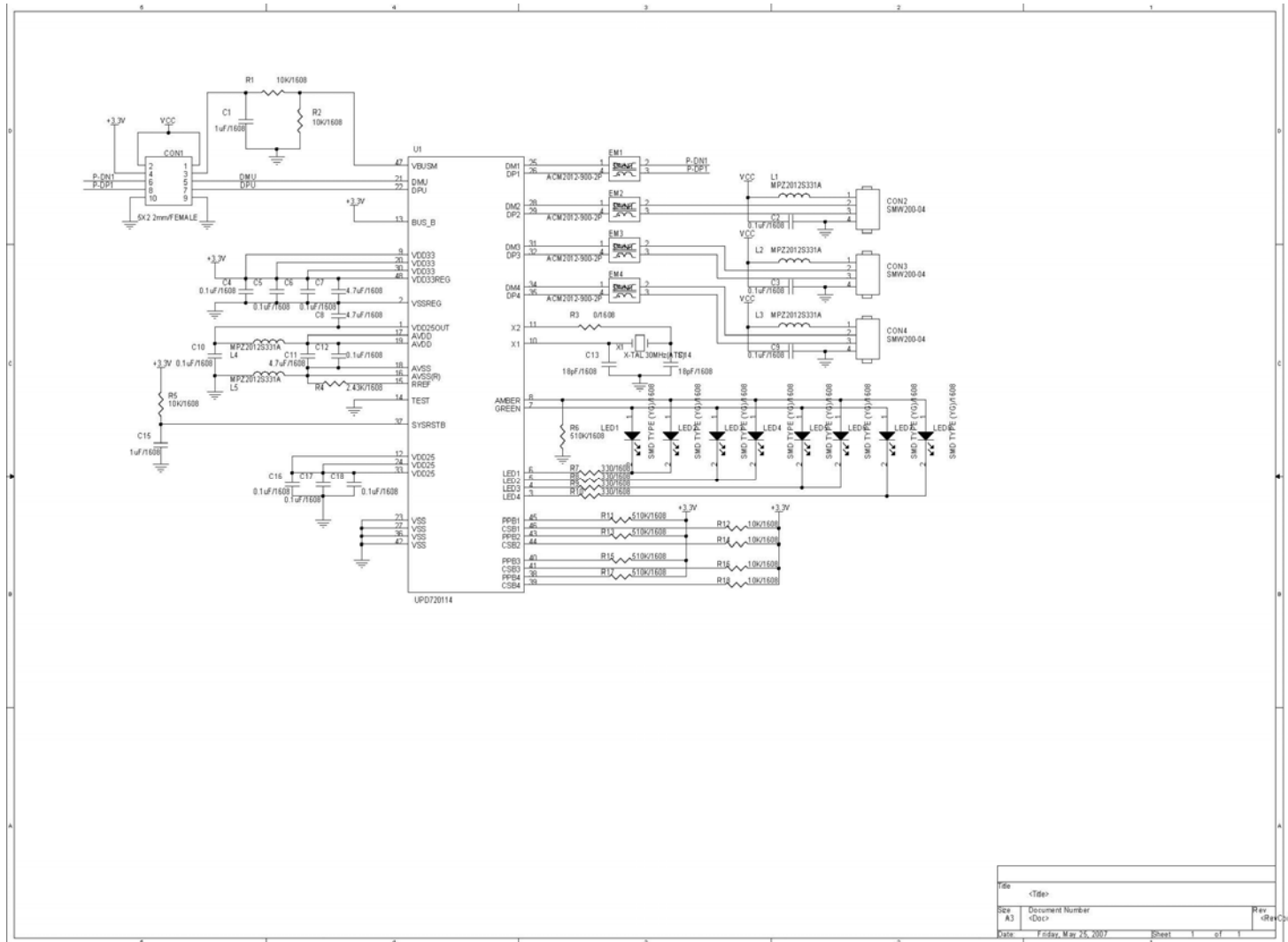
Title	<Title>
Sheet	1 of 1
Scale	1:1
Date	Wednesday, December 05, 2007
Revision	1
Author	RF TAG

3) LCD CIRCUIT



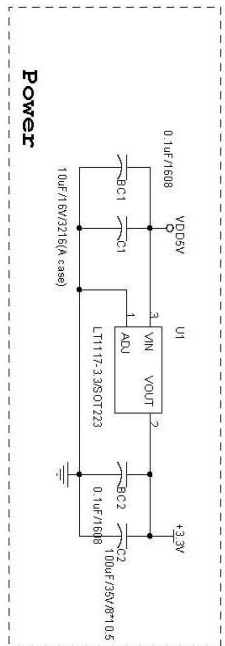
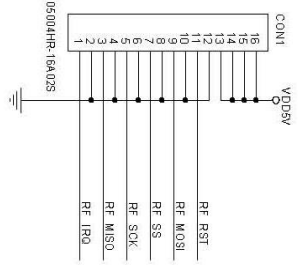
Title			<Title>
Size	Document Number	Rev	
A	<Doc>	<Rev>	<Code>
Date: Friday, September 21, 2007		Sheet	1 of 1

6) USB HUB CIRCUIT

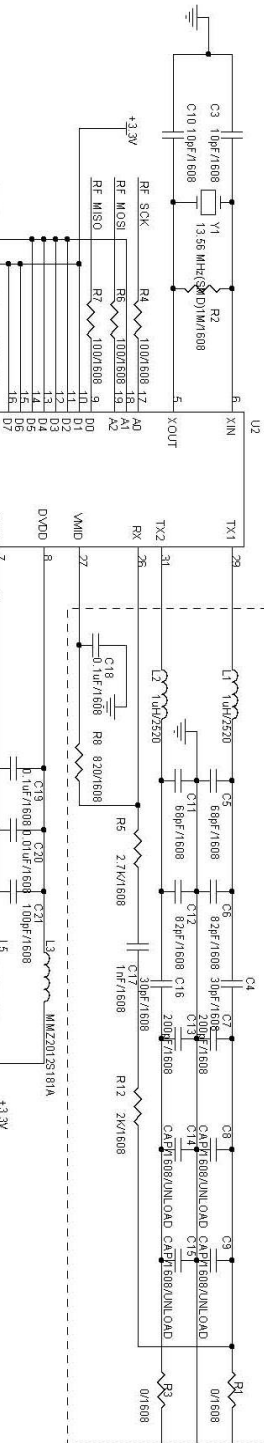


Title	<Title>	
Size	Document Number	Rev
A3	<Doc>	<Rev>
Date	F. Edw. Mar 25, 2007	Sheet 01 of 1

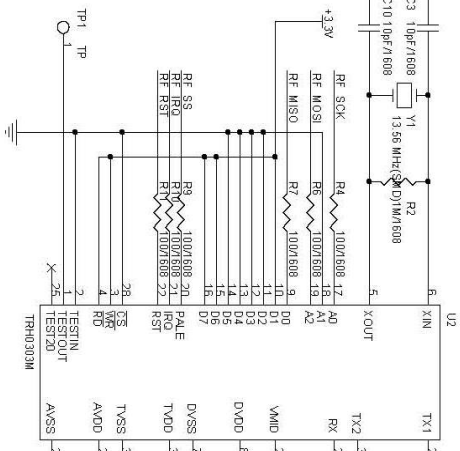
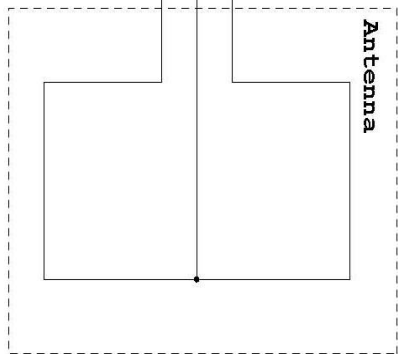
RF TAG CIRCUIT DIAGRAM



EMC_Filter & Matching Circuit



Antenna



Title		<Title>	
Size	Document Number	Sheet	of 1
A3	1050	1	1
Date	Wednesday, December 05, 2007	Sheet	1 of 1
		Rev	1
		Site	China