



# Motion Sensor

V1.0

# Introduction

- The motion sensor detects movement of people or objects, even in the dark. It wirelessly sends updates to the Gateway.
- The sensor is designed for use indoors.
- Battery lifetime is approximately 2 years with 2x AA sized alkaline batteries.
- The sensor can be installed on wall or ceiling using enclosed screws or double-sided tape, or simply placed on a shelf
- Radio Frequency communication range is max. 200meters.(Approx. 650ft)

This product requires the Ethernet Gateway to connect to the Internet.

## Specifications

Dimensions	60x42x37mm
Power source	AA Alakline Battery(2ea)
Battery Lifetime	Approx. 2 years at 25°C (77°F)
Operating Temperature	-10°C ~ 50°C, Indoor use
Storage Temperature	-10°C ~ 60°C
Relative Humidity	up to 95% non-condensing
<b>RF Performance Requirements</b>	
- Protocols : Zigbee Green Power	
- Supported channels	
: IEEE802.15.4 CH11 to CH26	

# Pairing Mode

The motion detection sensor can be paired using either the mobile app or Ethernet gateway.

## Pairing A ( APP )

1. Start sensor registration wizard in the mobile app and follow steps.

Run application → Menu icon ( ) → Devices → Add Devices → Add motion sensor (w/o QR code)

2. Remove battery tab on the motion sensor .The sensor will attempt to pair automatically.

Note : The green LED blinks while the sensor is on pairing mode (max. 30seconds.)

3. The application should advance when the sensor is registered.

You can change the device name after it is application to see if the sensor is registered.

## Pairing B ( Gateway )

1. Press pairing button on gateway.
2. Gateway will trigger pairing mode automatically

Orange LED blinks while the gateway is on pairing mode.

3. Remove the battery tab on the motion sensor to put it into pairing mode.

Note : green LED blinks while the sensor is on pairing mode (max. 30seconds.)

## Pairing failure :

The pairing is failed if the LEDs on device still blinks over 30 seconds or PIR motion sensor is not registered on mobile application within 30 seconds.

Please retry pairing with following instruction if it didn't work the first time.

**1,2** Same as step 1 & 2 on pairing A, B

3. If battery tab is already removed, press pairing button on motion sensor to put it into pairing mode.(Green LED blinks while the sensor is on pairing mode)

4. Once Green LED is turned off, please check application to see if the sensor is registered.

# Installation Tips



Don't install it outdoors.



Avoid extreme temperatures



Don't point it at the sun, you may get false alarms!

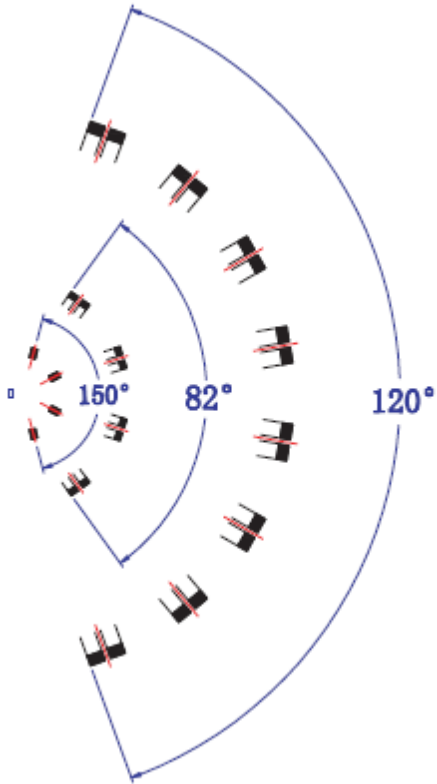


Don't point it at windows or Air conditioner, you may get false

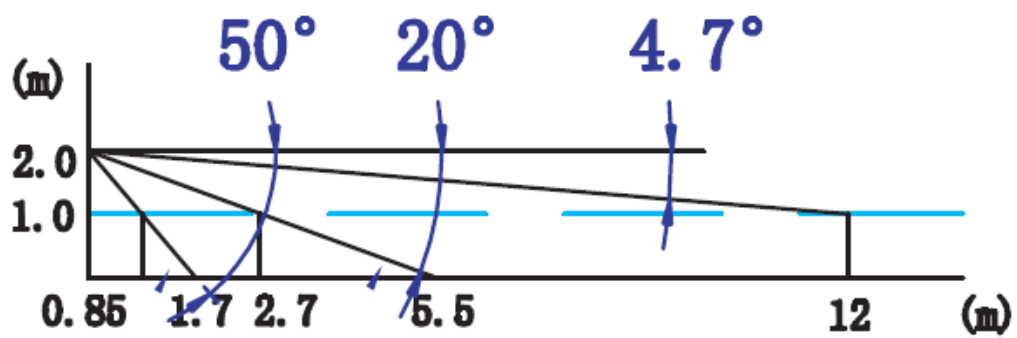
alarms

# Motion detect range

Horizontal View Pattern:



Vertical View Pattern:



# Function description

## Alarm LED ( Red ) :

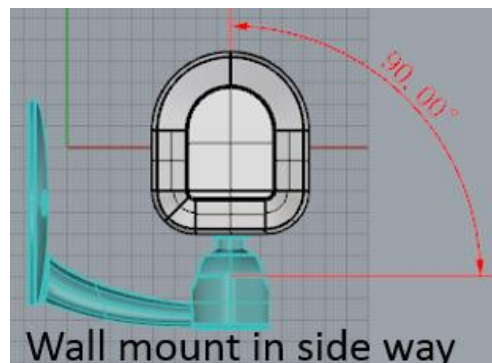
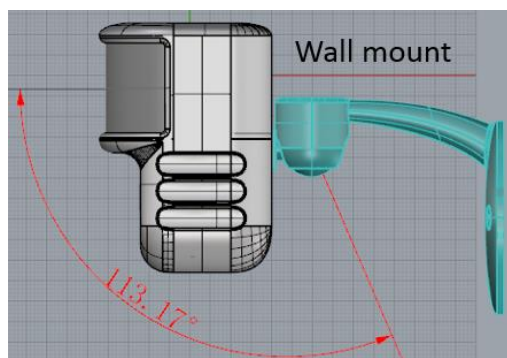
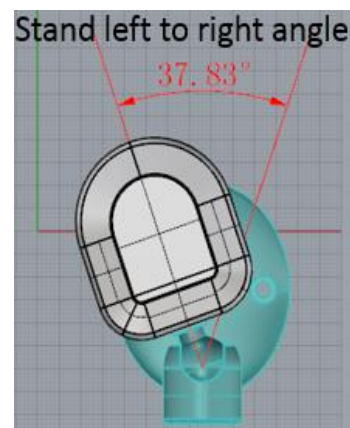
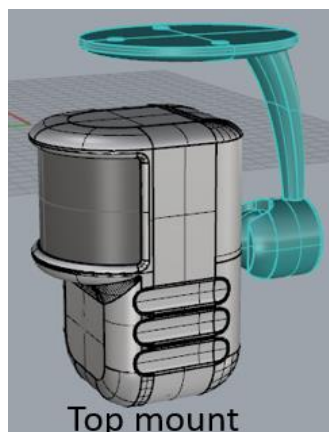
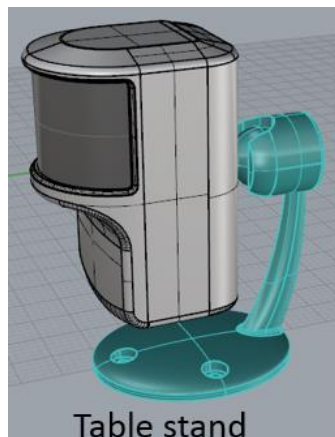
The PIR alarm LED will be worked on the first 5 minutes in the first power up. The LED will on when the PIR sensor is detected the motion.

## Sensitive adjust:

The sensitivity can be adjusted according to the detection environment. The sensitive default setting is in the normal position.



# Installation Guidelines



## FCC Compliance Statement

NOTE: This equipment has been tested and found to comply with the limits for a Class B digital device, pursuant to Part 15 of the FCC Rules. These limits are designed to provide reasonable protection against harmful interference in a residential installation. This equipment generates, uses and can radiate radio frequency energy and, if not installed and used in accordance with the instructions, may cause harmful interference to radio communications. However, there is no guarantee that interference will not occur in a particular installation. If this equipment does cause harmful interference to radio or television reception, which can be determined by turning the equipment off and on, the user is encouraged to try to correct the interference by one or more of the following measures:

- Reorient or relocate the receiving antenna.
- Increase the separation between the equipment and receiver.
- Connect the equipment into an outlet on a circuit different from that to which the receiver is connected.
- Consult the dealer or an experienced radio/TV technician for help.

Changes or Modifications not expressly approved by the party responsible could void the user's authority to operate this device.

This device complies with part 15 of the FCC rules. Operation is subject to the following two conditions : (1) This device may not cause harmful interference, and (2) this device must accept any interference received, including interference that may cause undesired operation.

This equipment complies with the FCC RF radiation exposure limits set forth for an uncontrolled environment. This equipment should be installed and operated with a minimum distance of 20 centimeters between the radiator and your body.