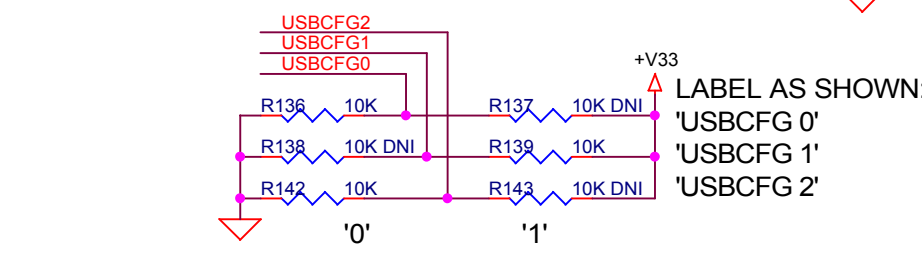


Note to Layout:  
Observe special rules for these DM & DP traces.

Note to Layout:  
Observe special rules for these DM & DP traces.

Note to Layout:  
Observe special rules for these DM & DP traces.

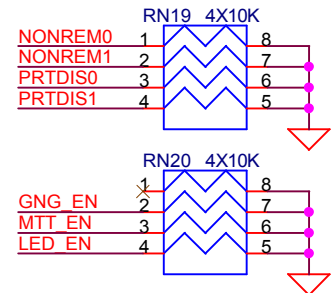


LABEL AS SHOWN:

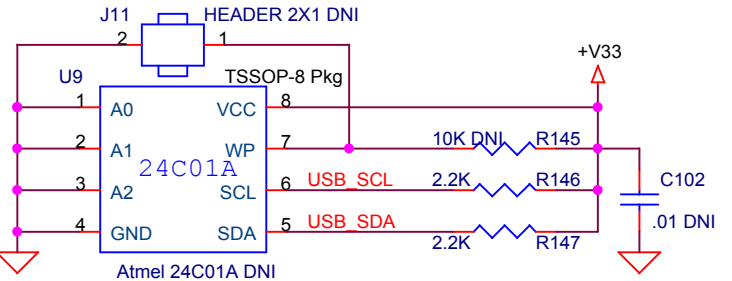
'USBCFG 0'

'USBCFG 1'

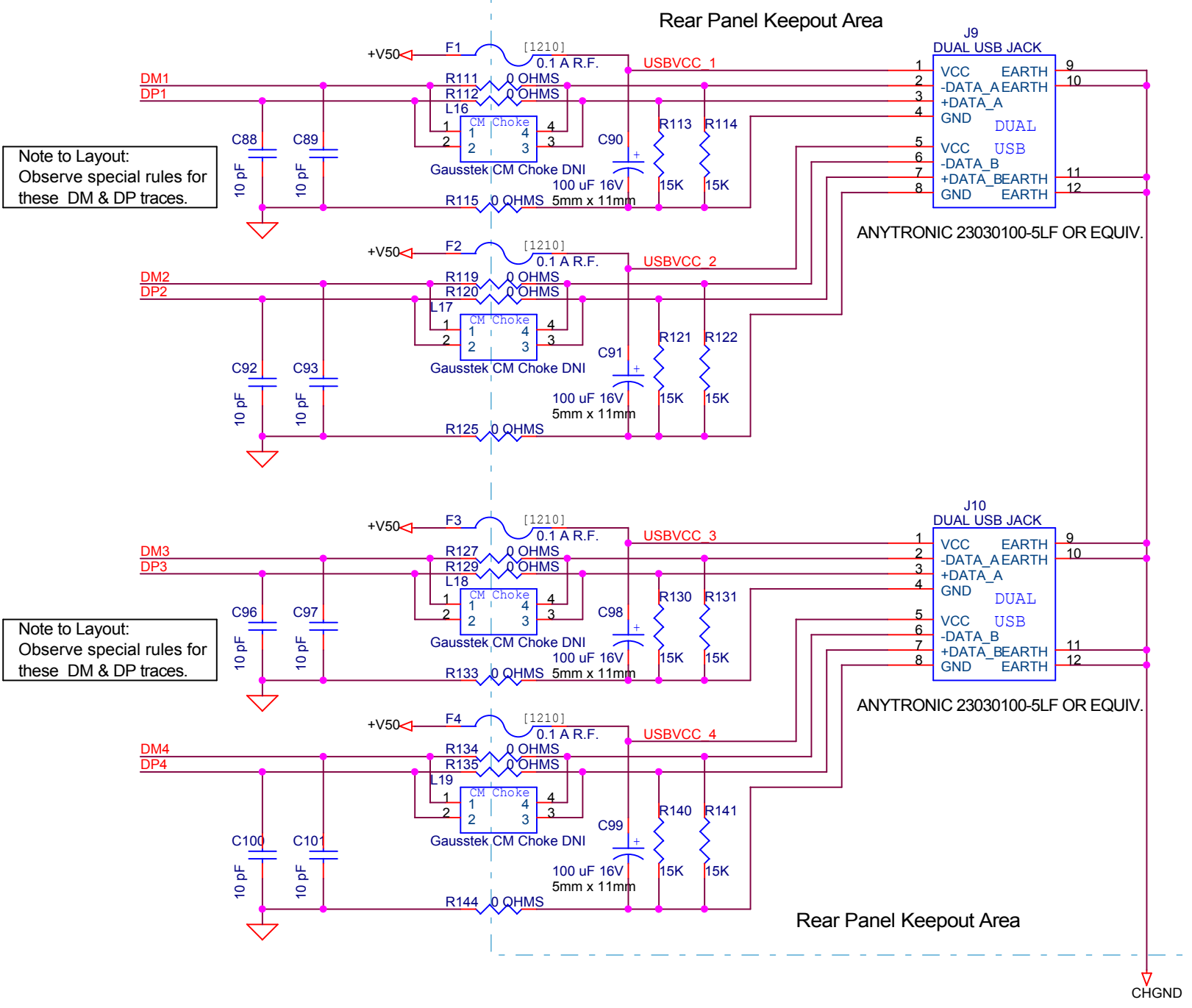
'USBCFG 2'



INSERT JUMPER TO ENABLE WRITING EEPROM. [I2C ADDR = A0 FOR WR, A1 FOR RD]



May use Atmel AT24C01A-10TI-2.7  
or AT24C02B-10TU-1.8  
or Catalyst CAT24C02YIGT  
or CAT24C02YIG3



4Home Media, Inc. Saratoga, CA COMPANY CONFIDENTIAL		
Title: 4Home C.P. - USB Ports		
Size: B	Document Number: <Doc>	Rev: 2.0
Date: Saturday, December 16, 2006	Sheet: 5	of 8

