

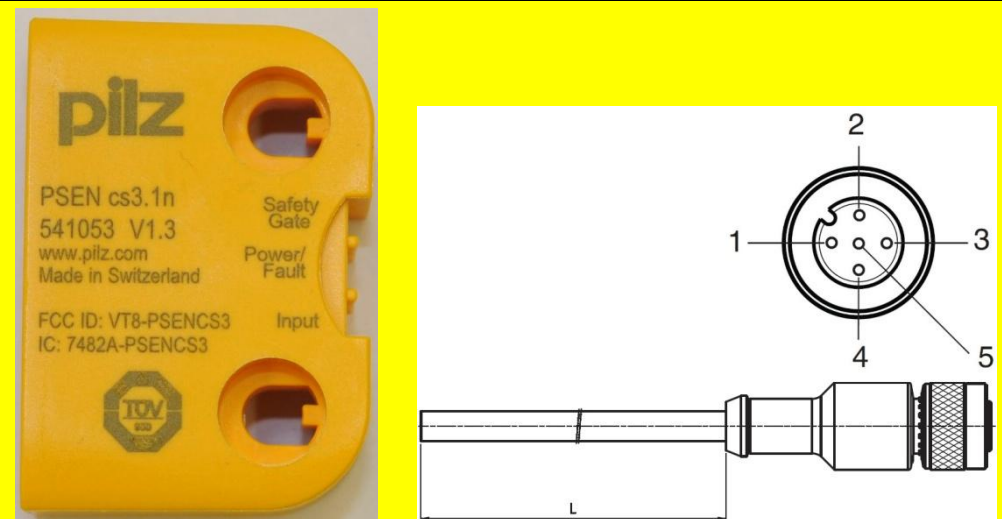
FCRN: 0017145996
 FCC-ID: VT8-PSENCs3
 IC-ID: 7482A-PSENCs3

December 7, 2016

Page 1 of 10

Attestation letter

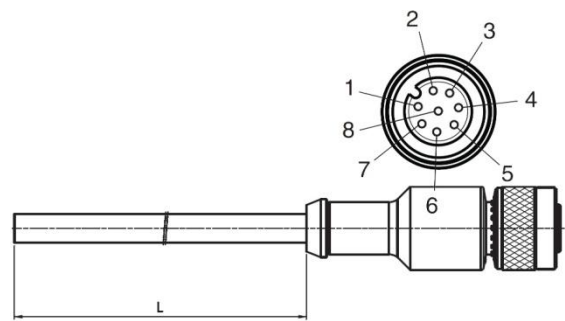
We, Pilz GmbH & Co. KG hereby declare, that the test report of CETECOM laboratory are also to be cover the following products:

<i>Kind of product:</i>	Proximity switch
<i>Product Series:</i>	PSEN cs
<i>Product Name: (Family Approval)</i>	PSENCs3.x+4.x
<i>CETECOM Testreport No.:</i>	Test report No.: 1-8548/14-01-06
<i>Model Name</i>	<i>Product Label</i>
<p>PSEN cs3.1n (541053)</p>	
	<p>This was the DUT (Device under Test) of Test report No.: Cetecom 1-8548/14-01-06 - coding: coded - cable length: 0.15m - connector: M12, 5 pin</p>

Kind of product:	Proximity switch
Product Series:	PSEN cs
Product Name: (Family Approval)	PSENcs3.x+4.x
CETECOM Testreport No.:	Test report No.: 1-8548/14-01-06

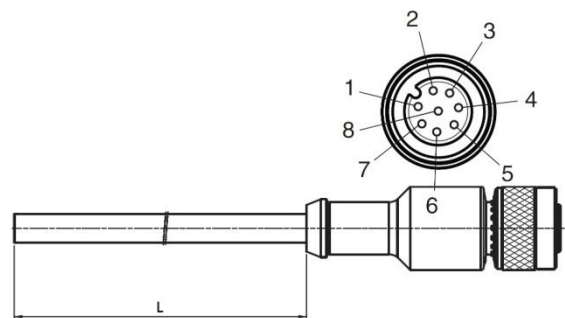
Model Name	Product Label
------------	---------------

**PSEN cs3.1
M12/8-0.15m**
(541059)


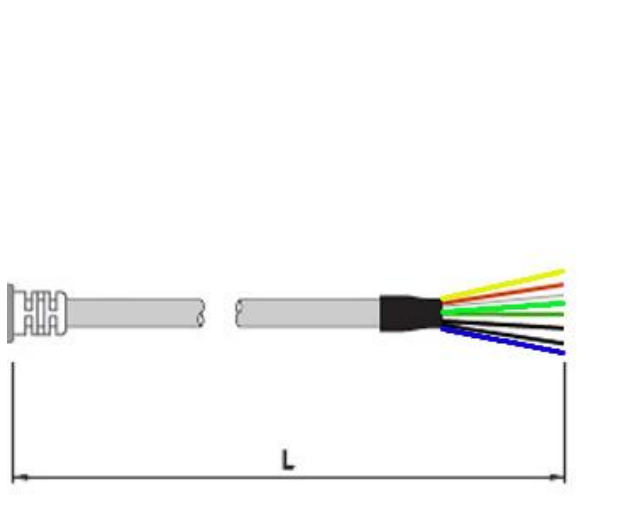

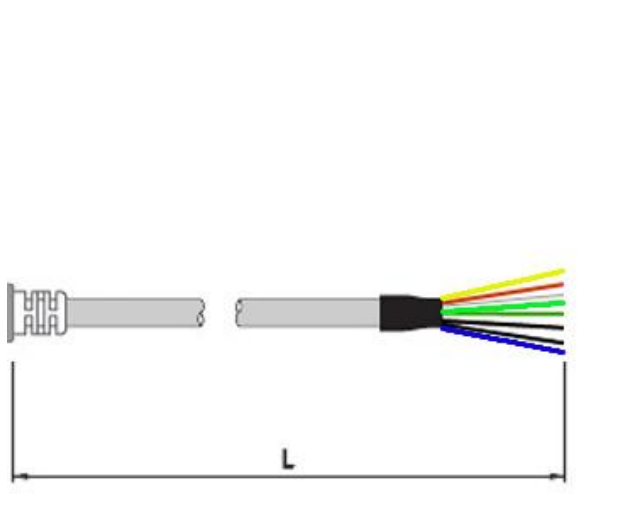


Difference to DUT:
- connector: M12, 8 pin

PSEN cs3.1p
(541060)



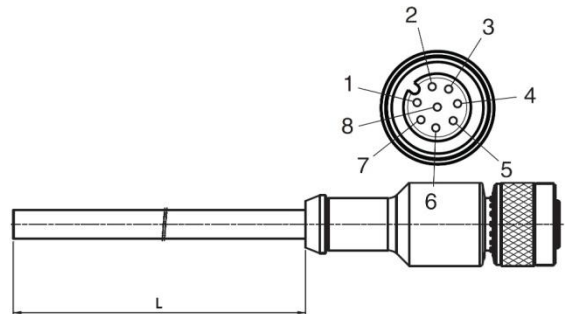
Difference to DUT:
- cable length: 0.14m
- connector: M8, 8 pin

Kind of product:	Proximity switch	
Product Series:	PSEN cs	
Product Name: (Family Approval)	PSENcs3.x+4.x	
CETECOM Testreport No.:	Test report No.: 1-8548/14-01-06	
Model Name	Product Label	
<p>PSEN cs3.1a (541061)</p>		
	<p><u>Difference to DUT:</u> - cable length: 5m - connector: open cable, 8 wires</p>	
<p>PSEN cs3.1b (541062)</p>		
	<p><u>Difference to DUT:</u> - cable length: 10m - connector: open cable, 8 wires</p>	

Kind of product:	Proximity switch
Product Series:	PSEN cs
Product Name: (Family Approval)	PSENcs3.x+4.x
CETECOM Testreport No.:	Test report No.: 1-8548/14-01-06

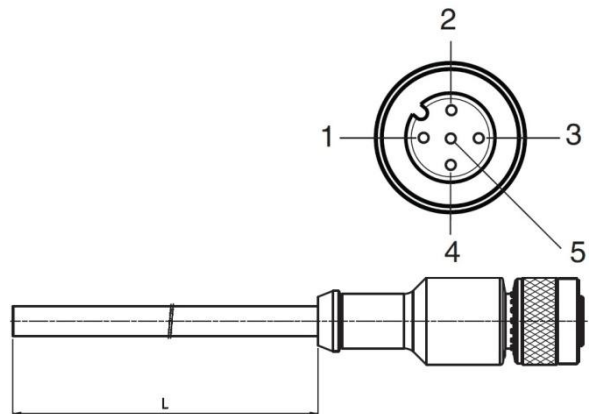
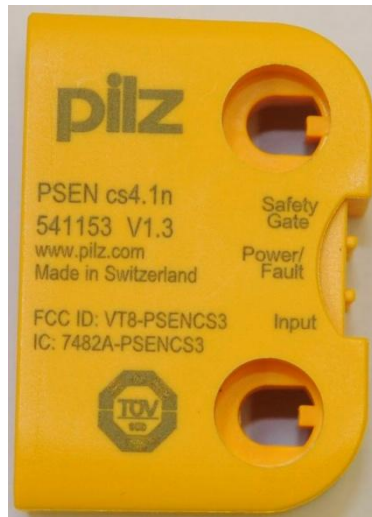
Model Name	Product Label
------------	---------------

PSEN cs3.1
M12/8-1.5m
(541064)



Difference to DUT:
- cable length: 1.5m
- connector: M12, 8 pin

PSEN cs4.1n
(541153)

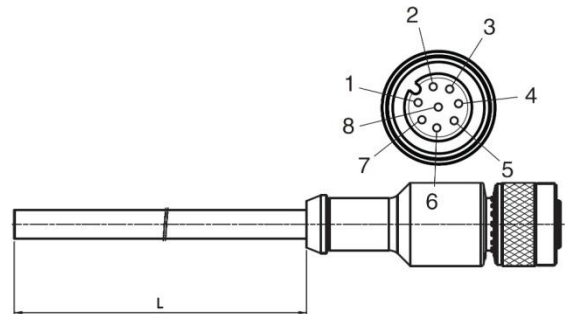
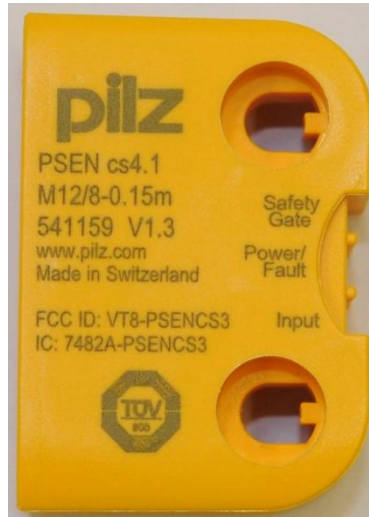


Difference to DUT:
- coding: fully coded

Kind of product:	Proximity switch
Product Series:	PSEN cs
Product Name: (Family Approval)	PSENcs3.x+4.x
CETECOM Testreport No.:	Test report No.: 1-8548/14-01-06

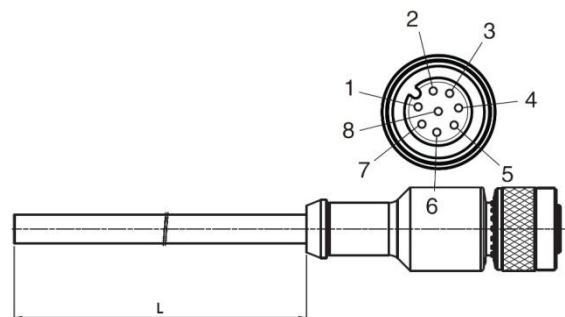
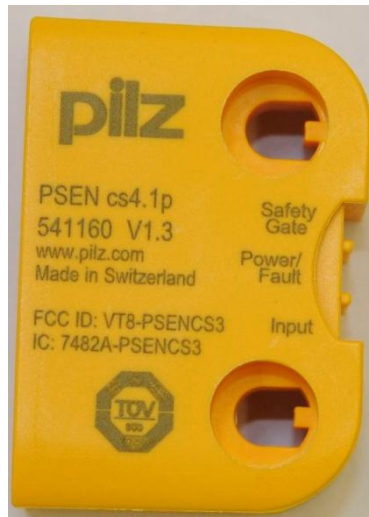
Model Name	Product Label
------------	---------------

PSEN cs4.1
M12/8-0.15m
(541159)


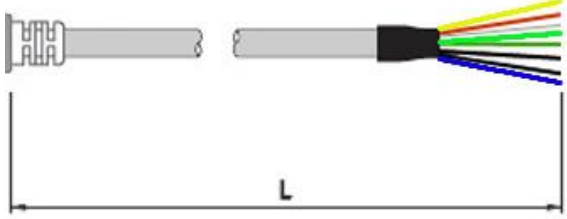

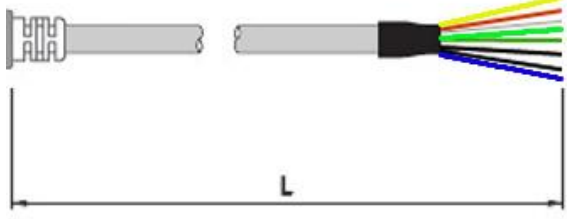


Difference to DUT:
- coding: fully coded
- connector: M12, 8 pin

PSEN cs4.1p
(541160)



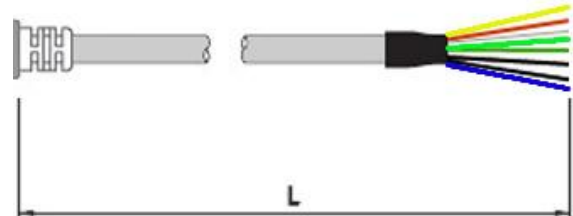
Difference to DUT:
- coding: fully coded
- cable length: 0.14m
- connector: M8, 8 pin

Kind of product:	Proximity switch	
Product Series:	PSEN cs	
Product Name: (Family Approval)	PSENcs3.x+4.x	
CETECOM Testreport No.:	Test report No.: 1-8548/14-01-06	
Model Name	Product Label	
<p>PSEN cs4.1a (541161)</p>		
	<p><u>Difference to DUT:</u></p> <ul style="list-style-type: none"> - coding: fully coded - cable length: 5m - connector: open cable, 8 wires 	
<p>PSEN cs4.1b (541162)</p>		
	<p><u>Difference to DUT:</u></p> <ul style="list-style-type: none"> - coding: fully coded - cable length: 10m - connector: open cable, 8 wires 	

Kind of product:	Proximity switch
Product Series:	PSEN cs
Product Name: (Family Approval)	PSENcs3.x+4.x
CETECOM Testreport No.:	Test report No.: 1-8548/14-01-06

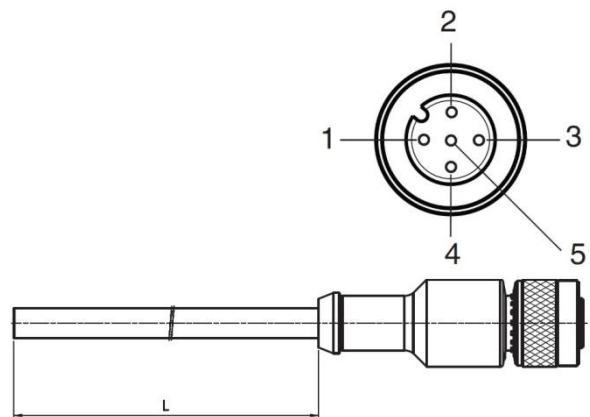
Model Name	Product Label
------------	---------------

**PSEN cs4.1
M12/8-1.5m
(541164)**



Difference to DUT:
 - coding: fully coded
 - cable length: 10m
 - connector: open cable, 8 wires

**PSEN cs4.2n
(541253)**

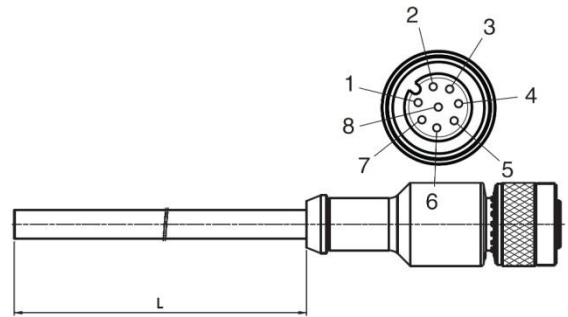
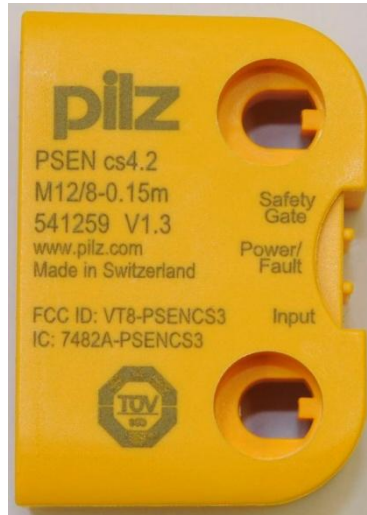


Difference to DUT:
 - coding: uniquely coded

Kind of product:	Proximity switch
Product Series:	PSEN cs
Product Name: (Family Approval)	PSENcs3.x+4.x
CETECOM Testreport No.:	Test report No.: 1-8548/14-01-06

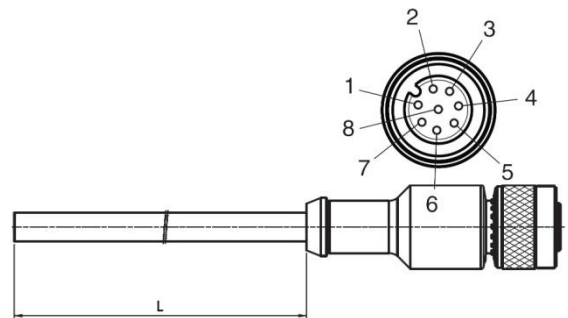
Model Name	Product Label
------------	---------------

PSEN cs4.2
M12/8-0.15m
(541259)


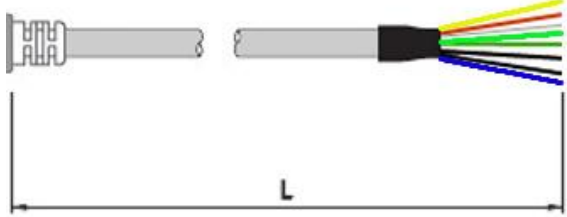

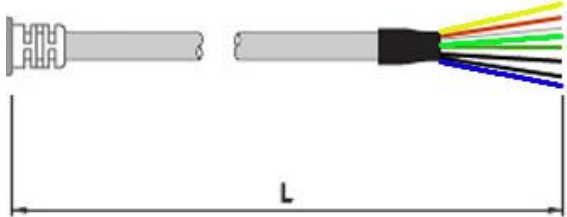


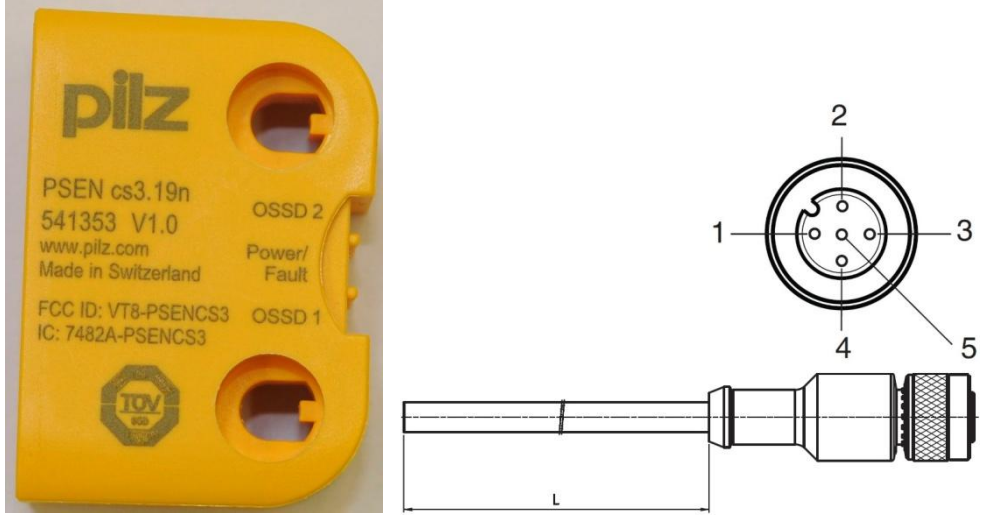
Difference to DUT:
 - coding: uniquely coded
 - connector: M12, 8 pin

PSEN cs4.2p
(541260)



Difference to DUT:
 - coding: uniquely coded
 - cable length: 0.14m
 - connector: M8, 8 pin

Kind of product:	Proximity switch	
Product Series:	PSEN cs	
Product Name: (Family Approval)	PSENcs3.x+4.x	
CETECOM Testreport No.:	Test report No.: 1-8548/14-01-06	
Model Name	Product Label	
<p>PSEN cs4.2a (541261)</p>		
	<p><u>Difference to DUT:</u></p> <ul style="list-style-type: none"> - coding: uniquely coded - cable length: 5m - connector: open cable, 8 wires 	
<p>PSEN cs4.2b (541262)</p>		
	<p><u>Difference to DUT:</u></p> <ul style="list-style-type: none"> - coding: uniquely coded - cable length: 10m - connector: open cable, 8 wires 	

Kind of product:	Proximity switch
Product Series:	PSEN cs
Product Name: (Family Approval)	PSENcs3.x+4.x
CETECOM Testreport No.:	Test report No.: 1-8548/14-01-06
Model Name	Product Label
PSEN cs3.19n (541353)	 <p> PSEN cs3.19n 541353 V1.0 www.pilz.com Made in Switzerland FCC ID: VT8-PSENC33 IC: 7482A-PSENC33 OSSD 2 Power/ Fault OSSD 1 </p> <p> 1 2 3 4 5 L </p>
	<p><u>Difference to DUT:</u> - coding: special (3 uniquely identifiable tags)</p>

Authorized Signature:
Print Name & Title:
Date:



Jürgen Kitzing, Approval Manager
07. December 2016