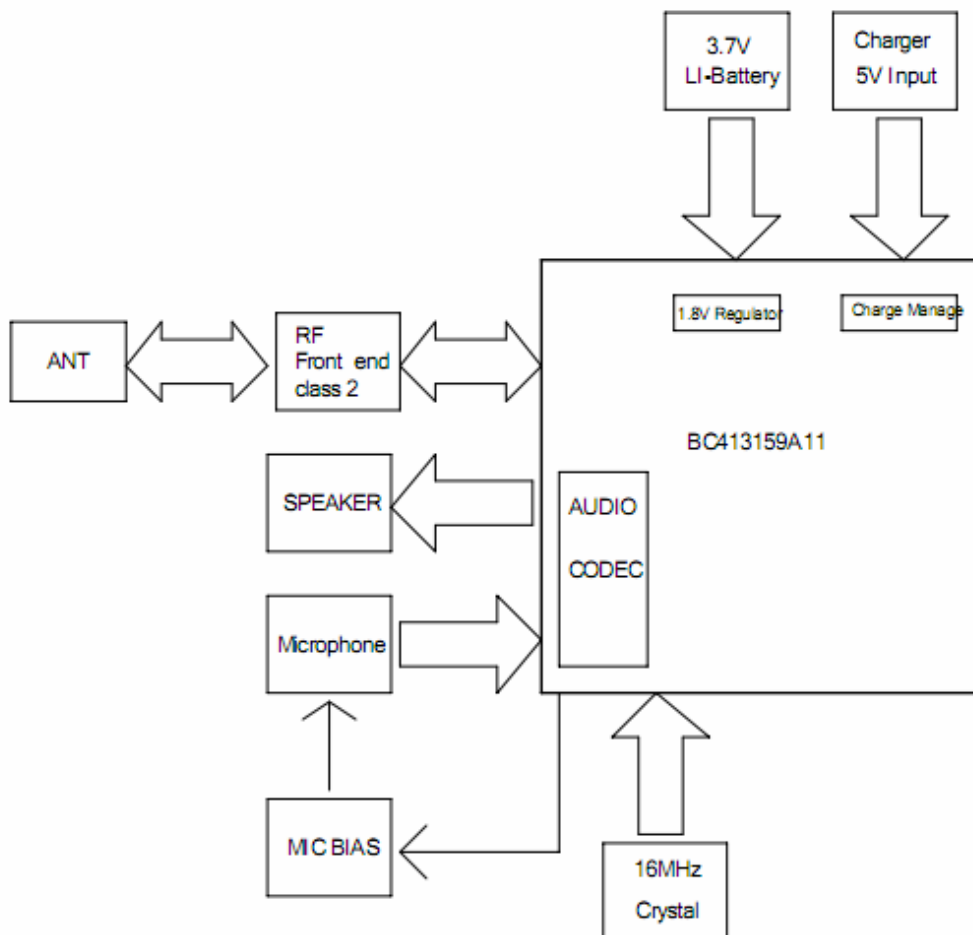


Operation Description

Product	Bluetooth headset
Power supply	DC5.0V for USB port
Frequency range	2402MHz~2480MHz
Modulation	FHSS
Channel Number	79
Maximum Power	1.2dBm



This chip use CSR blue-vox-QFN,

- 1.The IC integrated 1.8V Regulator for power supply
2. integrated charge manager for charge the li-poly battery
- 3.the blue-vox has a 15-bit Audio CODEC that has a 8kHz sampling frequency
- 4.Common TX/RX terminal ,Bluetooth v2.0+EDR Specification compliant
+6dBm RF transmit power with level control from on-chip 6-bit DAC over a dynamic range>30dB

Class2 and Class 3 support without the need for an external power amplifier or TX/RX switch
the receiver features a near-zero intermediate Frequency (IF)architecture that allows the channel filters to be integrated onto the die.

Integrated channel filters

Digital demodulator for improved sensitivity and co-channel rejection