

P/N: 80-B134-001101

Update date: 2010/08/30

Material : Raflatac PET film with adhesive

Printing : Black 1 color printing

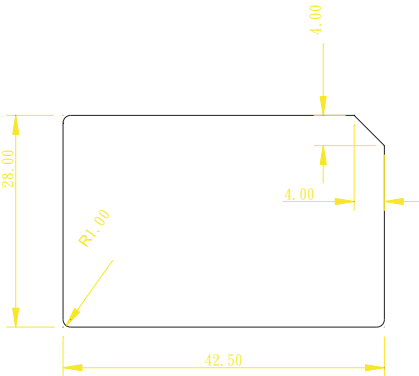
Size: 42.5*28.0-C4.0-3R1.0+0.00/-0.20mm

P/N: 80-B134-001101

Material : Raflatac PET film with adhesive

Printing : Black 1 color printing

Size: 42.5*28.0-C4.0-3R1.0+0.00/-0.20mm



Die-Cut

S/N label for gift box

P/N: 80-B134-002101

尺寸: 50mmX15mm-4R1.25+/-0.5mm

物料: 光粉紙背膠。

表面過啞膠。

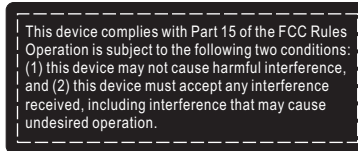


比例: 1: 1



英文版

Scale:100%



16-digit serial number:

Digit 1: Country version (e.g. 0=Int'l or other non-China version, 1= CN ver)

Digit 2-8:7-digital incremental number for the units (e.g. 0000021)

Digit 9-10:Product model (e.g. WF28 = 01, WF35=02, DT350 = 03)

Digit 11-14:B106

Digit 15:WinCE version (e.g. WinCE professional = 0, Win CE core = 1, others reserved)

Digit 16:Hardware version (e.g. Samsung: 0 = 300MHz, 1= 400MHz, other reserved)

Therefore, the S/N of DT350 will be, let say, 0000000103B10601