



Sage Co., Ltd.
2F,KY- Bldg. 2-24 Sumiyoshi-Cho Naka-Ku
Yokohama-City Kanagawa Pref
231-0013 Japan

User manual for

Telematics Control Unit

JSG-M004

Ver 1.0

Sage Co.,Ltd.

July 12, 2022

Date: 2022/7/12

Contact Information

Taiki Urasaki

Engineer

t.urasaki@jsage.co.jp

Sage Co., Ltd.
2F,KY- Bldg. 2-24 Sumiyoshi-Cho Naka-Ku
Yokohama City KanagawaPref
231-0013 Japan



Sage Co., Ltd.
2F,KY- Bldg. 2-24 Sumiyoshi-Cho Naka-Ku
Yokohama-City Kanagawa Pref
231-0013 Japan

Contents

GENERAL

- 1.JSG-M004 date sheet
2. System Block diagram
3. Appearance
4. Components
- 5.Connector Pin Assignment
6. Installation



Sage Co., Ltd.
2F,KY- Bldg. 2-24 Sumiyoshi-Cho Naka-Ku
Yokohama-City Kanagawa Pref
231-0013 Japan

General

Purpose of this Guide is to install the devices and to describe the related function how to use them for the Dealers and Mechanic of contracting company. The functions are necessary to operate the initial setup and maintain an appropriate usage of the App.

FCC Statement :

Any changes or modifications not expressly approved by the party responsible for compliance could void the User's authority to operate the equipment.

This Device complies with part 15 of the FCC Rules. Operation is subject to the following two conditions: (1) This Device may not cause harmful interference, and (2) this Device must accept any interference received, including interference that may cause undesired operation.

FCC Radiation Exposure Statement:

This Device complies with FCC radiation exposure limits set forth for an uncontrolled environment. This equipment should be installed and operated with minimum distance 8 inches (20cm) between the radiator & User's body.

This transmitter must not be co-located or operating in conjunction with any other antenna or transmitter.

Class B digital device:

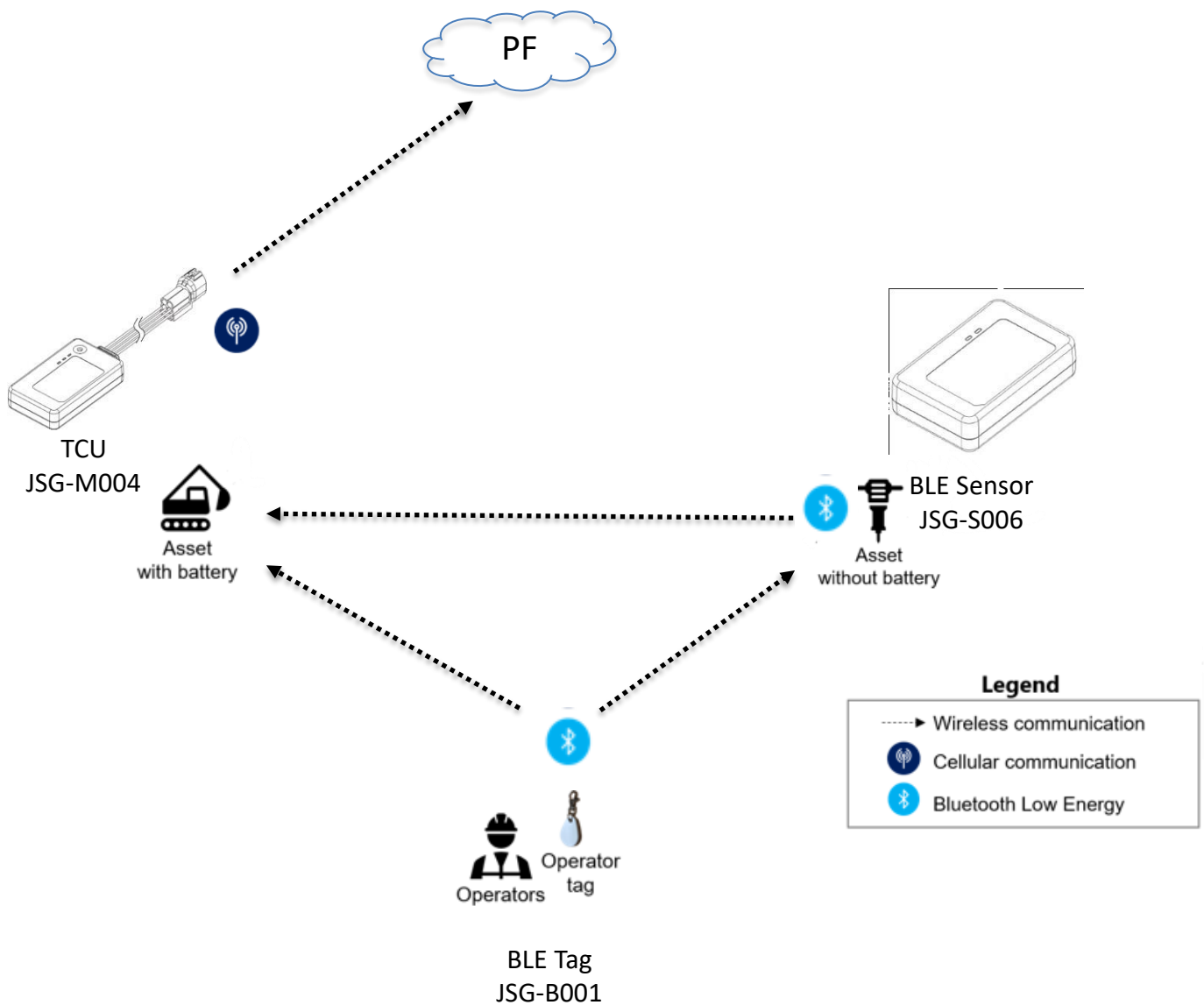
This equipment has been tested and found to comply with the limits for a Class B digital device, pursuant to part 15 of the FCC Rules. These limits are designed to provide reasonable protection against harmful interference in a residential installation. This equipment generates, uses and can radiate radio frequency energy and, if not installed and used in accordance with the instructions, may cause harmful interference to radio communications. However, there is no guarantee that interference will not occur in a particular installation. If this equipment does cause harmful interference to radio or television reception, which can be determined by turning the equipment off and on, the user is encouraged to try to correct the interference by one or more of the following measures:

- Reorient or relocate the receiving antenna.
- Increase the separation between the equipment and receiver.
- Connect the equipment into an outlet on a circuit different from that to which the receiver is connected.
- Consult the dealer or an experienced radio/TV technician for help.

1 JSG-M004 data sheet

Physical	
Size	W140xD50xH25 mm
Weight	150g
Environment	
Operating temperature	-20 degrees C to +60 degrees C
Storage temperature	-30 degrees C to +80 degrees C
Performance	
Maximum electric power consumption	200mA / 12V
Standby electric power consumption	100mA / 12V
Version	
Hardware version	1.00
Software version	1.00

2 System Block digram



3 Appearance



4 Components

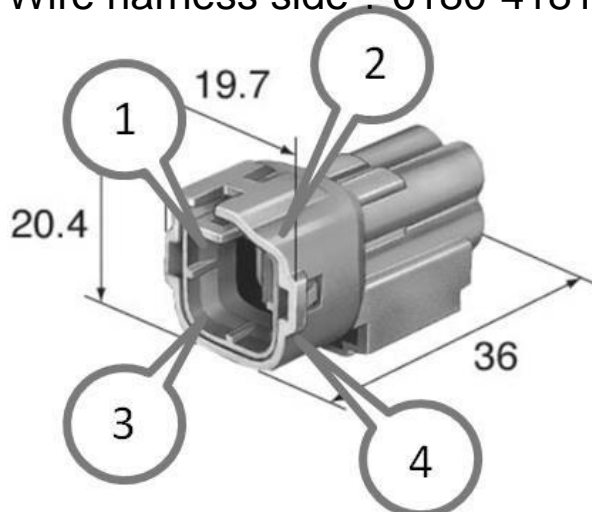


- 1: LPWA module (BG95M3)
- 2: SIM socket
- 3: Power connector

5 Connector Pin Assignment

Mating coupler information is
as follows: TCU side : 6187-
4441

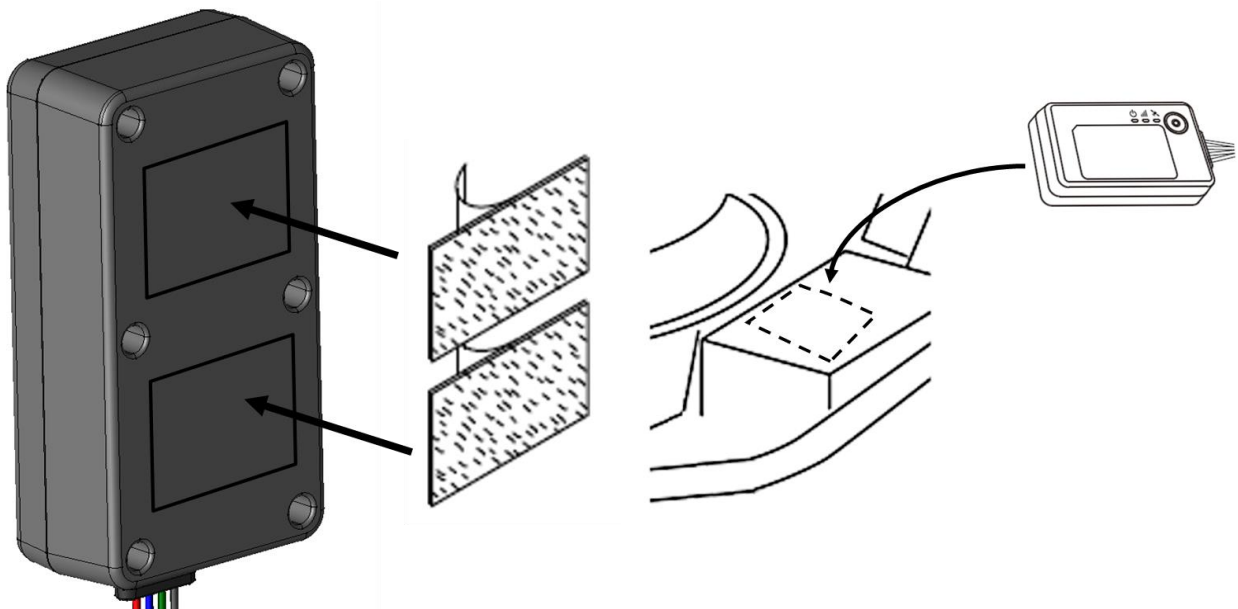
Wire harness side : 6180-4181



Pin No.	Assign
	TCU
1	N/A
2	GND
3	Vin
4	N/A

6 Installation

The TCU should be installed safety place that can reach with the harness. Recommend to install with the top surface of the housing facing the sky.



This product used at a distance 8 inches (20cm) or more from the User's body.

Since this product is fixed to the construction machine with, Double sided tape it is used with the human body at a distance of 8 inches or more.