

# **Amimon Mushroom H Antenna Specification**

**Part No. AMN\_ASM\_1011**

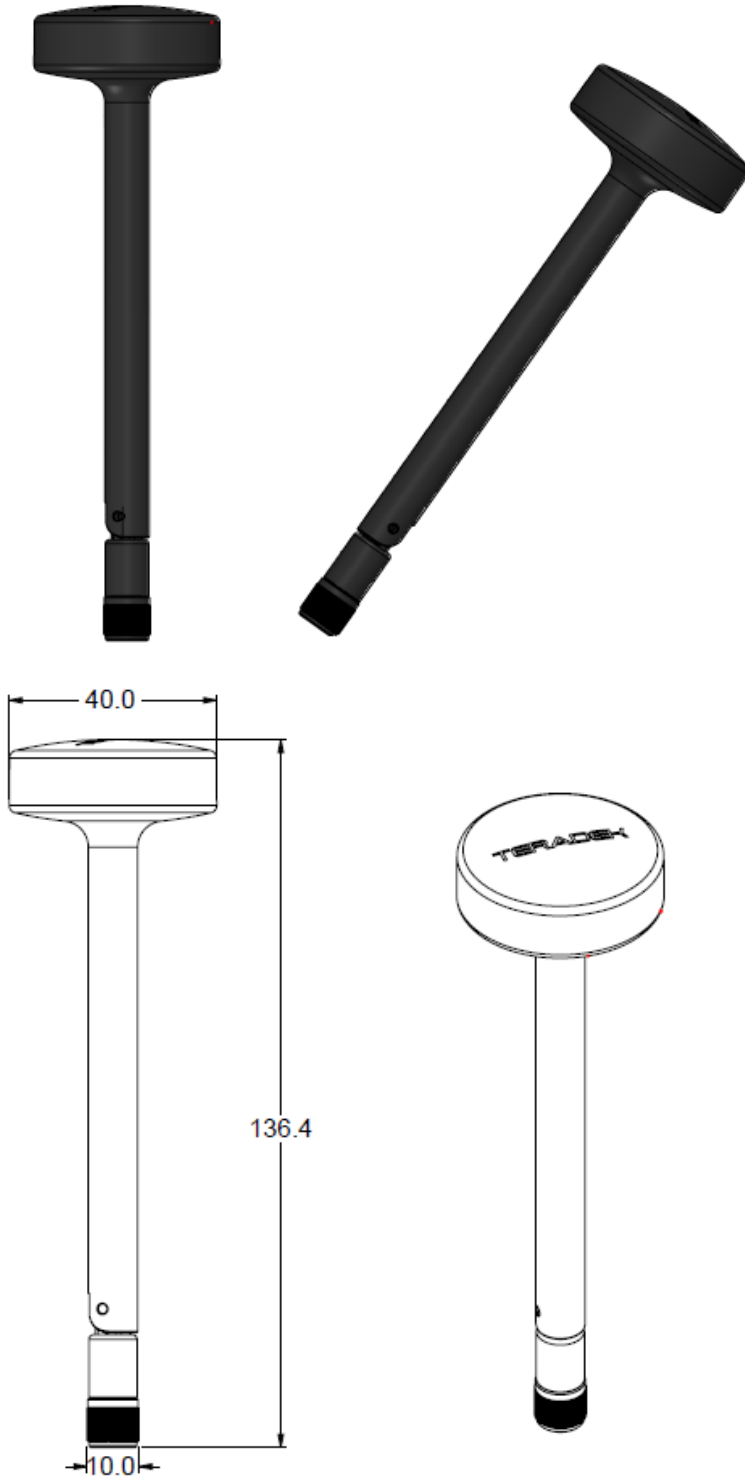
**Version 1.3**

Below are the typical specs for a the antenna

<b>Electrical Specification</b>	
<b>Azimuth pattern</b>	<b>360°</b>
<b>Elevation</b>	<b>±35 °</b>
<b>Peak Gain</b>	<b>2 dBi</b>
<b>Frequency range</b>	<b>4.9-7.3GHz</b>
<b>Return Loss</b>	<b>&lt;(-6.5dB)</b>
<b>Polarization</b>	<b>H</b>
<b>Cross polar discrimination</b>	<b>&gt;15dB</b>
<b>Nominal Impedance</b>	<b>50Ω</b>
<b>Antenna port</b>	<b>RP-SMA</b>
<b>Mechanical Specification</b>	
<b>Width</b>	<b>40 mm</b>
<b>Height</b>	<b>136.4 mm</b>

---

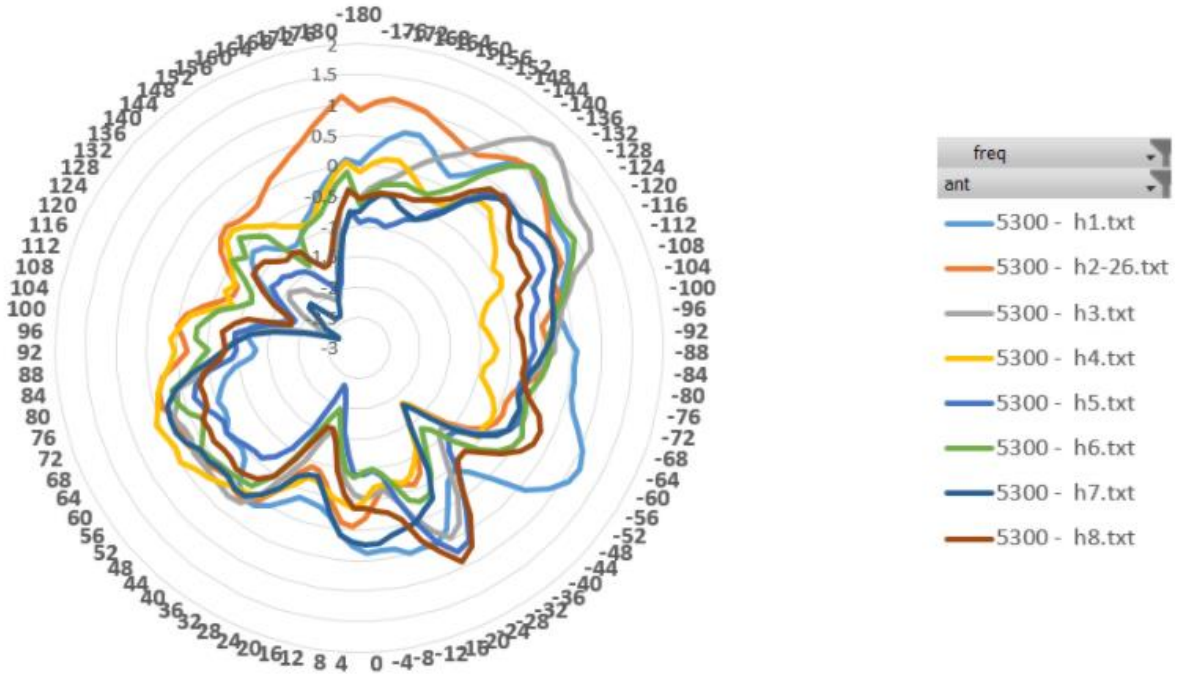
Below is the mechanical description of a the antenna



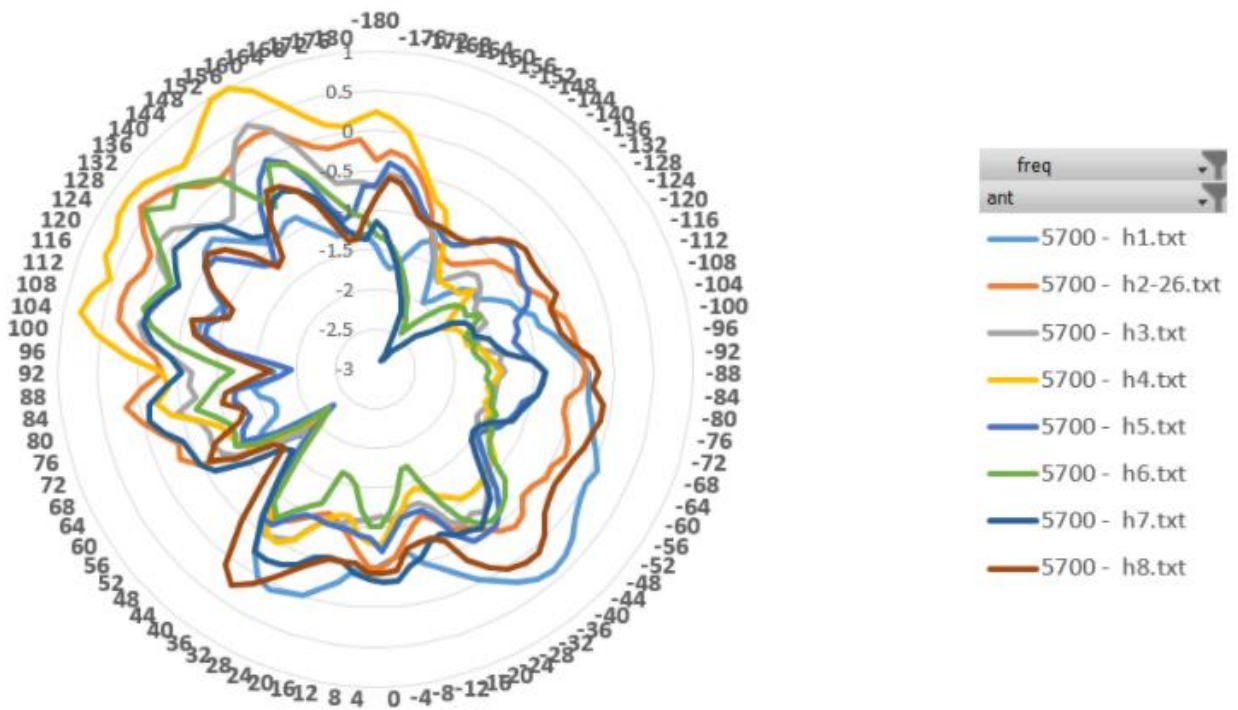
Below are the typical azimuth curves of the antenna (Elevation is 0°)

## AMIMON AVG gain vs azimuth-5300MHz

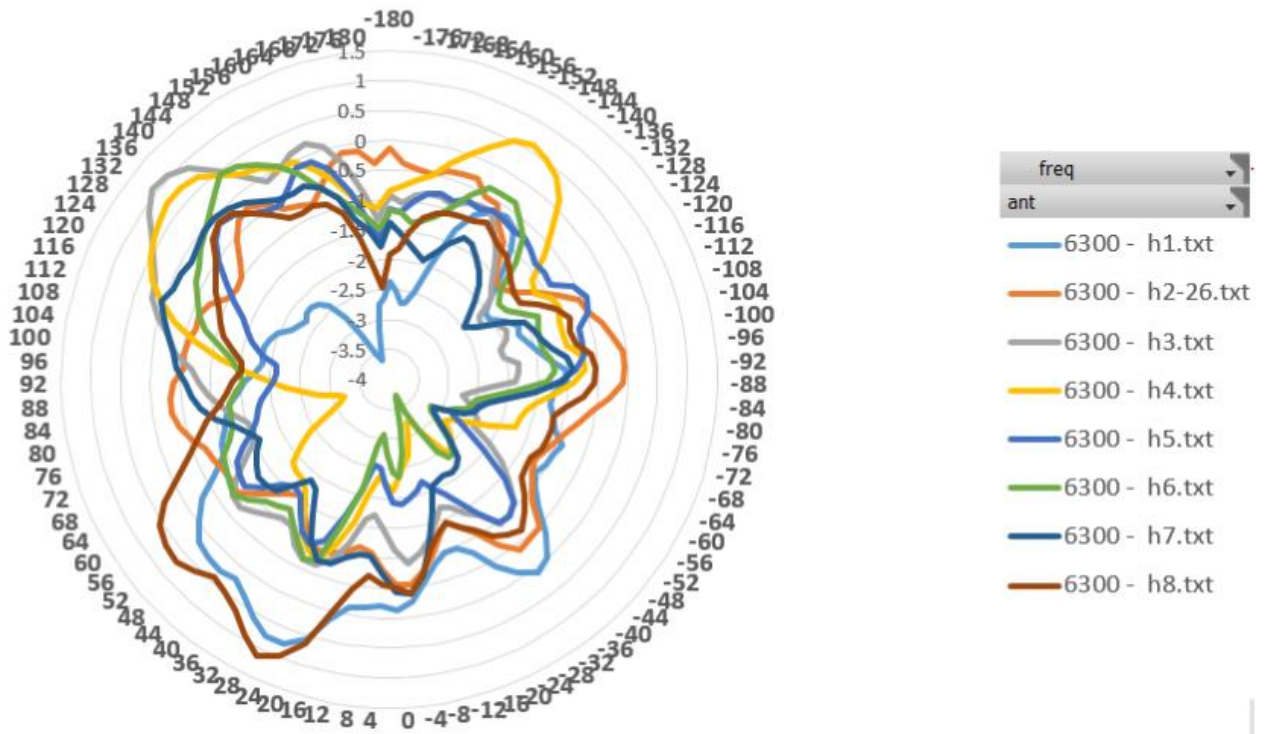
gain



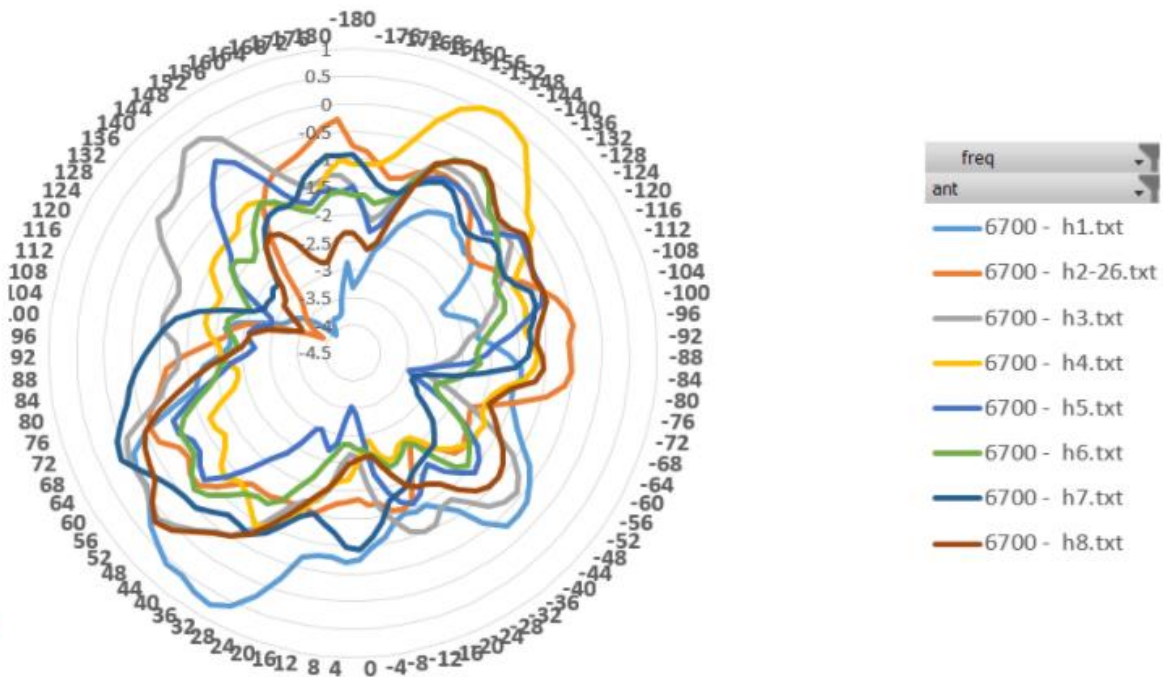
## AMIMON AVG gain vs azimuth-5700MHz



# AMIMON AVG gain vs azimuth-6300MHz



# AMIMON AVG gain vs azimuth-6700MHz



**Average Gain[dBi] Vs Azimuth over Frequencies: 5.1GHz, 5.5GHz, 5.9GHz, 6.3GHz, 6.9GHz;7.3GHz**

