



# FCC TEST REPORT

## (Part 24)

**REPORT NO.:** RF991223C13-4

**MODEL NO.:** F-09C

**FCC ID:** VQK-F09C

**RECEIVED:** Dec. 23, 2010

**TESTED:** Feb. 10 ~ Feb. 17, 2011

**ISSUED:** Feb. 23, 2011

**APPLICANT:** FUJITSU LIMITED

**ADDRESS:** 1-1, Kamikodanaka 4-chome, Nakahara-ku, Kawasaki  
211-8588, Japan

**ISSUED BY:** Bureau Veritas Consumer Products Services (H.K.)  
Ltd., Taoyuan Branch

**LAB ADDRESS:** No. 47, 14th Ling, Chia Pau Tsuen, Lin Kou Hsiang,  
Taipei Hsien 244, Taiwan, R.O.C.

**TEST LOCATION:** No. 19, Hwa Ya 2nd Rd, Wen Hwa Tsuen, Kwei Shan  
Hsiang, Taoyuan Hsien 333, Taiwan, R.O.C.

This test report consists of 38 pages in total. It may be duplicated completely for legal use with the approval of the applicant. It should not be reproduced except in full, without the written approval of our laboratory. The client should not use it to claim product certification, approval, or endorsement by TAF or any government agency. The test results in the report only apply to the tested sample.





## TABLE OF CONTENTS

|   |    |
|---|----|
| RELEASE CONTROL RECORD.....                                   | 4  |
| 1 CERTIFICATION .....   | 5  |
| 2 SUMMARY OF TEST RESULTS .....                               | 6  |
| 2.1 MEASUREMENT UNCERTAINTY .....                             | 6  |
| 3 GENERAL INFORMATION.....                                    | 7  |
| 3.1 GENERAL DESCRIPTION OF EUT .....                          | 7  |
| 3.2 DESCRIPTION OF TEST MODES .....                           | 9  |
| 3.2.1 CONFIGURATION OF SYSTEM UNDER TEST .....                | 9  |
| 3.2.2 TEST MODE APPLICABILITY AND TESTED CHANNEL DETAIL ..... | 10 |
| 3.3 GENERAL DESCRIPTION OF APPLIED STANDARDS .....            | 11 |
| 3.4 DESCRIPTION OF SUPPORT UNITS .....                        | 11 |
| 4 TEST TYPES AND RESULTS .....                                | 12 |
| 4.1 OUTPUT POWER MEASUREMENT .....                            | 12 |
| 4.1.1 LIMITS OF OUTPUT POWER MEASUREMENT .....                | 12 |
| 4.1.2 TEST INSTRUMENTS.....                                   | 13 |
| 4.1.3 TEST PROCEDURES .....                                   | 14 |
| 4.1.4 TEST SETUP.....   | 15 |
| 4.1.5 EUT OPERATING CONDITIONS .....                          | 15 |
| 4.1.6 TEST RESULTS .....                                      | 16 |
| 4.2 RADIATED EMISSION MEASUREMENT (BELOW 1GHz).....           | 18 |
| 4.2.1 LIMITS OF RADIATED EMISSION MEASUREMENT .....           | 18 |
| 4.2.2 TEST INSTRUMENTS.....                                   | 18 |
| 4.2.3 TEST PROCEDURES .....                                   | 19 |
| 4.2.4 DEVIATION FROM TEST STANDARD .....                      | 19 |
| 4.2.5 TEST SETUP.....   | 20 |
| 4.2.6 EUT OPERATING CONDITIONS .....                          | 20 |
| 4.2.7 TEST RESULTS .....                                      | 21 |
| 4.3 RADIATED EMISSION MEASUREMENT (ABOVE 1GHz) .....          | 24 |
| 4.3.1 LIMITS OF RADIATED EMISSION MEASUREMENT .....           | 24 |
| 4.3.2 TEST INSTRUMENTS.....                                   | 24 |
| 4.3.3 TEST PROCEDURES .....                                   | 24 |
| 4.3.4 DEVIATION FROM TEST STANDARD .....                      | 24 |
| 4.3.5 TEST SETUP.....   | 24 |
| 4.3.6 EUT OPERATING CONDITIONS .....                          | 24 |



A D T

|       |   |    |
|-------|---|----|
| 4.3.7 | TEST RESULTS .....  | 25 |
| 4.4   | CONDUCTED EMISSION MEASUREMENT .....  | 31 |
| 4.4.1 | LIMITS OF CONDUCTED EMISSION MEASUREMENT .....  | 31 |
| 4.4.2 | TEST INSTRUMENTS.....   | 31 |
| 4.4.3 | TEST PROCEDURES .....   | 32 |
| 4.4.4 | DEVIATION FROM TEST STANDARD .....  | 32 |
| 4.4.5 | TEST SETUP.....   | 33 |
| 4.4.6 | EUT OPERATING CONDITIONS .....  | 33 |
| 4.4.7 | TEST RESULTS .....  | 34 |
| 5     | PHOTOGRAPHS OF THE TEST CONFIGURATION.....  | 36 |
| 6     | INFORMATION ON THE TESTING LABORATORIES .....   | 37 |
| 7     | APPENDIX A – MODIFICATIONS RECORDERS FOR ENGINEERING CHANGES<br>TO THE EUT BY THE LAB ..... | 38 |



A D T

## RELEASE CONTROL RECORD

| ISSUE NO.        | REASON FOR CHANGE | DATE ISSUED   |
|------------------|-------------------|---------------|
| Original release | N/A               | Feb. 23, 2011 |



# 1 CERTIFICATION

**PRODUCT:** Mobile phone  
**MODEL NO.:** F-09C  
**BRAND:** FOMA  
**APPLICANT:** FUJITSU LIMITED  
**TESTED:** Feb. 10 ~ Feb. 17, 2011  
**TEST SAMPLE:** ENGINEERING SAMPLE  
**TEST STANDARDS:** **FCC Part 24, Subpart E**  
ANSI C63.4-2003  
**TEST ITEM:** **Maximum Peak Output Power (Section 2.1046 24.232)**  
**Radiated Spurious Emissions (Section 2.1053 24.238)**  
**AC Power Conducted Emission (Section 15.207)**

The above equipment (model: F-09C) has been tested by **Bureau Veritas Consumer Products Services (H.K.) Ltd., Taoyuan Branch**. The test record, data evaluation & Equipment Under Test (EUT) configurations represented herein are true and accurate accounts of the measurements of the sample's EMC characteristics under the conditions specified in this report.

PREPARED BY : , DATE: Feb. 23, 2011  
Pettie Chen / Specialist

APPROVED BY : , DATE: Feb. 23, 2011  
Gary Chang / Assistant Manager

## 2 SUMMARY OF TEST RESULTS

The EUT has been tested according to the following specifications:

| APPLIED STANDARD: FCC Part 24 & Part 2 / IC RSS-133 |   |        |   |
|---|---|--------|---|
| STANDARD SECTION                                    | TEST TYPE AND LIMIT   | RESULT | REMARK  |
| 2.1046<br>24.232                                    | Maximum Peak Output Power Limit:<br>max. 2 watts e.i.r.p peak power | PASS   | Meet the requirement of limit.<br>Minimum passing margin is 29.7dBm at 1909.8MHz. |
| 2.1053<br>24.238                                    | Radiated Spurious Emissions   | PASS   | Meet the requirement of limit.<br>Minimum passing margin is -2.2dB at 3819.6MHz.  |
| 15.207  | AC Power Conducted Emission   | PASS   | Meet the requirement of limit.<br>Minimum passing margin is -19.33dB at 0.189MHz. |

### 2.1 MEASUREMENT UNCERTAINTY

Where relevant, the following measurement uncertainty levels have been estimated for tests performed on the EUT as specified in CISPR 16-4-2:

| MEASUREMENT         | FREQUENCY       | UNCERTAINTY |
|---------------------|-----------------|-------------|
| Conducted emissions | 150kHz~30MHz    | 2.44 dB     |
| Radiated emissions  | 30MHz ~ 200MHz  | 3.19 dB     |
|                     | 200MHz ~1000MHz | 3.21 dB     |
|                     | 1GHz ~ 18GHz    | 2.26 dB     |
|                     | 18GHz ~ 40GHz   | 1.94 dB     |

This uncertainty represents an expanded uncertainty expressed at approximately the 95% confidence level using a coverage factor of k=2.

### 3 GENERAL INFORMATION

#### 3.1 GENERAL DESCRIPTION OF EUT

|                            |   |
|----------------------------|---|
| <b>EUT</b>                 | Mobile phone  |
| <b>MODEL NO.</b>           | F-09C   |
| <b>FCC ID</b>              | VQK-F09C  |
| <b>POWER SUPPLY</b>        | 3.7Vdc (Li-ion battery)<br>5.4Vdc (Adapter)   |
| <b>MODULATION TYPE</b>     | GMSK  |
| <b>OPERATING FREQUENCY</b> | 1850.2MHz ~ 1909.8MHz   |
| <b>NUMBER OF CHANNEL</b>   | 299   |
| <b>ANTENNA TYPE</b>        | Integral antenna with -2.80824dBi gain (EUT open)<br>Integral antenna with -2.55173dBi gain (EUT close) |
| <b>DATA CABLE</b>          | NA  |
| <b>I/O PORTS</b>           | Refer to user's manual  |
| <b>ACCESSORY DEVICES</b>   | Battery   |

**NOTE:**

1. In this report, only included test items of output power, radiated spurious emissions and AC power conducted emissions per client's requests.
2. The EUT is a Mobile phone. The test data are separated into following test reports.

|                  | <b>TEST STANDARD</b>                               | <b>REFERENCE REPORT</b> |
|------------------|--|-------------------------|
| <b>WLAN</b>      | FCC Part 15, Subpart C                             | RF991223C13             |
| <b>Bluetooth</b> | (Section 15.247)                                   | RF991223C13-1           |
| <b>RFID</b>      | FCC Part 15, Subpart C<br>(Section 15.225, 15.215) | RF991223C13-2           |
| <b>WCDMA 850</b> | FCC Part 22  | RF991223C13-3           |
| <b>PCS 1900</b>  | FCC Part 24  | RF991223C13-4           |

3. The EUT uses the following Li-ion battery:

|               |                 |
|---------------|-----------------|
| <b>BRAND</b>  | Fujitsu Limited |
| <b>MODEL</b>  | F18             |
| <b>RATING</b> | 3.7Vdc, 960mAh  |

4. The following accessories are for support units only.

| <b>PRODUCT</b> | <b>BRAND</b> | <b>DESCRIPTION</b>   |
|----------------|--------------|--|
| Adapter        | SMK          | I/P: 100-240Vac, 50-60Hz, 0.12A<br>O/P: 5.4Vdc, 700mA  |
| USB cable      | NA           | 0.8m non-shielded cable without core   |
| HDMI cable     | NA           | Sticker: No. 001<br>Manufacture: Molex<br>Model name: 68786-0001<br>1.5m shielded cable without core |
|                |              | Sticker: No.003<br>Manufacture: OLYMPUS<br>Model name: CB-HD1<br>0.8m shielded cable without core    |

5. The following summary may be used to identify the samples referenced in the test summary and any declared hardware or software modifications. Where modifications have been made, conformance has been demonstrated by regression testing declared by the manufacturer.

| IMEI            | SOFTWARE REVISION | HARDWARE REVISION | DATE OF RECEIPT |
|-----------------|-------------------|-------------------|-----------------|
| 355115040014935 | R18.1             | V2.2.0            | 2011/02/09      |

6. The above EUT information is declared by manufacturer and for more detailed features description, please refer to the manufacturer's specifications or User's Manual.

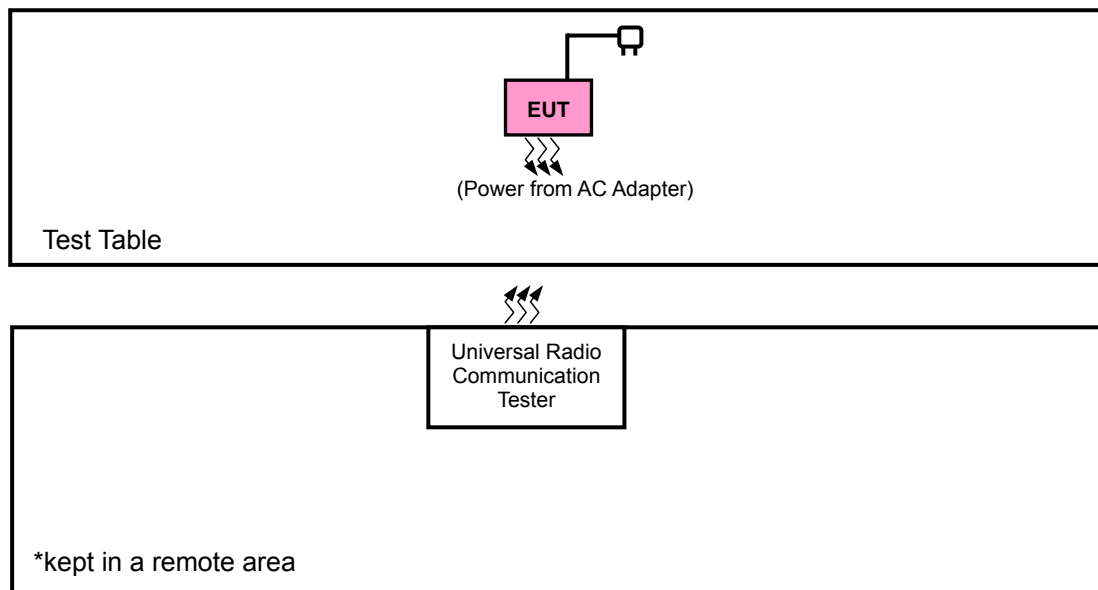


### 3.2 DESCRIPTION OF TEST MODES

299 channels are provided to this EUT. Therefore, the low, middle and high channels are chosen for testing.

|        | CHANNEL | FREQUENCY  | TX MODE   |
|--------|---------|------------|-----------|
| LOW    | 512     | 1850.2 MHz | GSM, GPRS |
| MIDDLE | 661     | 1880.0 MHz | GSM, GPRS |
| HIGH   | 810     | 1909.8 MHz | GSM, GPRS |

#### 3.2.1 CONFIGURATION OF SYSTEM UNDER TEST



### 3.2.2 TEST MODE APPLICABILITY AND TESTED CHANNEL DETAIL

| EUT CONFIGURE MODE | APPLICABLE TO |       |       |     | DESCRIPTION |
|--------------------|---------------|-------|-------|-----|-------------|
|                    | OP            | RE<1G | RE≥1G | PLC |             |
| -                  | √             | √     | √     | √   | -           |

Where **OP**: Output Power Measurement      **RE<1G**: Radiated emission below 1GHz  
**RE≥1G**: Radiated emission above 1GHz      **PLC**: Power Line Conducted Emission

#### **OUTPUT POWER MEASUREMENT:**

- Pre-Scan has been conducted to determine the worst-case mode from all possible combinations between available modulations, data rates, XYZ axis and antenna ports (if EUT with antenna diversity architecture).
- Following channel(s) was (were) selected for the final test as listed below.

| AVAILABLE CHANNEL | TESTED CHANNEL | MODULATION TECHNOLOGY | AXIS    |
|-------------------|----------------|-----------------------|---------|
| 512 to 810        | 512, 661, 810  | GSM, GPRS             | X, Y, Z |

#### **RADIATED EMISSION MEASUREMENT (BELOW 1 GHz):**

- Pre-Scan has been conducted to determine the worst-case mode from all possible combinations between available modulations, XYZ axis and antenna ports (if EUT with antenna diversity architecture).
- Following channel(s) was (were) selected for the final test as listed below.

| AVAILABLE CHANNEL | TESTED CHANNEL | MODULATION TECHNOLOGY | AXIS    |
|-------------------|----------------|-----------------------|---------|
| 512 to 810        | 661            | GSM                   | X, Y, Z |

#### **RADIATED EMISSION MEASUREMENT (ABOVE 1 GHz):**

- Pre-Scan has been conducted to determine the worst-case mode from all possible combinations between available modulations, XYZ axis and antenna ports (if EUT with antenna diversity architecture).
- Following channel(s) was (were) selected for the final test as listed below.

| AVAILABLE CHANNEL | TESTED CHANNEL | MODULATION TECHNOLOGY | AXIS    |
|-------------------|----------------|-----------------------|---------|
| 512 to 810        | 512, 661, 810  | GSM                   | X, Y, Z |

#### **POWER LINE CONDUCTED EMISSION TEST:**

- Pre-Scan has been conducted to determine the worst-case mode from all possible combinations between available modulations, antenna ports (if EUT with antenna diversity architecture), and packet types.
- Following channel(s) was (were) selected for the final test as listed below.

| AVAILABLE CHANNEL | TESTED CHANNEL | MODULATION TECHNOLOGY |
|-------------------|----------------|-----------------------|
| 512 to 810        | 661            | GSM                   |



A D T

### TEST CONDITION:

| APPLICABLE TO | ENVIRONMENTAL CONDITIONS | INPUT POWER  | TESTED BY   |
|---------------|--------------------------|--------------|-------------|
| OP            | 25deg. C, 65%RH, 1010hPa | 120Vac, 60Hz | Mark Liao   |
| RE $\geq$ 1G  | 25deg. C, 65%RH, 1010hPa | 120Vac, 60Hz | Sun Lin     |
| RE $<$ 1G     | 25deg. C, 65%RH, 1010hPa | 120Vac, 60Hz | David Huang |
| PLC           | 25deg. C, 68%RH, 1005hPa | 120Vac, 60Hz | Sun Lin     |

### 3.3 GENERAL DESCRIPTION OF APPLIED STANDARDS

The EUT is a RF product. According to the specifications of the manufacturer, it must comply with the requirements of the following standards:

**FCC 47 CFR Part 2**

**FCC 47 CFR Part 24**

**IC RSS-133**

**ANSI C63.4-2003**

**ANSI/TIA/EIA-603-C 2004**

**NOTE:** All test items have been performed and recorded as per the above standards.

### 3.4 DESCRIPTION OF SUPPORT UNITS

The EUT has been tested as an independent unit together with other necessary accessories or support units. The following support units or accessories were used to form a representative test configuration during the tests.

| NO. | PRODUCT   | BRAND | MODEL NO. | SERIAL NO. | FCC ID |
|-----|---|-------|-----------|------------|--------|
| 1   | 2/3G Acoustic test<br>(Audio conformance<br>test-CMU 200) | R&S   | CMU 200   | 118914     | NA     |
| 2   | ADAPTER   | SMK   | NA        | NA         | NA     |

| NO. | SIGNAL CABLE DESCRIPTION OF THE ABOVE SUPPORT UNITS |
|-----|---|
| 1   | NA  |
| 2   | NA  |

**NOTE:**

1. All power cords of the above support units are non shielded (1.8m).
2. Item 2 was supplied from the client.

## 4 TEST TYPES AND RESULTS

### 4.1 OUTPUT POWER MEASUREMENT

#### 4.1.1 LIMITS OF OUTPUT POWER MEASUREMENT

The radiated peak output power shall be according to the specific rule Part 24.232(b) that “Mobile / Portable station are limited to 2 watts e.i.r.p” and 24.232(c) specific that “Peak transmit power must be measure over any interval of continuous transmission using instrumentation calibration in terms of rms-equivalent voltage.”

#### 4.1.2 TEST INSTRUMENTS

| DESCRIPTION & MANUFACTURER              | MODEL NO.                    | SERIAL NO.  | DATE OF CALIBRATION | DUE DATE OF CALIBRATION |
|---|------------------------------|-------------|---------------------|-------------------------|
| Test Receiver<br>ROHDE & SCHWARZ        | ESI7                         | 838496/016  | Dec. 27, 2010       | Dec. 26, 2011           |
| Spectrum Analyzer<br>ROHDE & SCHWARZ    | FSU43                        | 100115      | Aug. 02, 2010       | Aug. 01, 2011           |
| BILOG Antenna<br>SCHWARZBECK            | VULB9168                     | 9168-155    | Apr. 28, 2010       | Apr. 27, 2011           |
| HORN Antenna<br>SCHWARZBECK             | BBHA 9120D                   | 9120D-408   | Jan. 06, 2011       | Jan. 05, 2012           |
| HORN Antenna<br>SCHWARZBECK             | BBHA 9170                    | BBHA9170243 | Dec. 27, 2010       | Dec. 26, 2011           |
| Preamplifier<br>Agilent                 | 8449B                        | 3008A01961  | Nov. 02, 2010       | Nov. 01, 2011           |
| Preamplifier<br>Agilent                 | 8447D                        | 2944A10738  | Nov. 02, 2010       | Nov. 01, 2011           |
| RF signal cable<br>HUBER+SUHNNER        | SUCOFLEX 104                 | 274041/4    | Aug. 21, 2010       | Aug. 20, 2011           |
| RF signal cable<br>HUBER+SUHNNER        | SUCOFLEX 104                 | 283397/4    | Aug. 21, 2010       | Aug. 20, 2011           |
| Software<br>ADT.                        | ADT_Radiated_<br>V7.6.15.9.2 | NA          | NA                  | NA                      |
| Antenna Tower<br>inn-co GmbH            | MA 4000                      | 010303      | NA                  | NA                      |
| Antenna Tower Controller<br>inn-co GmbH | CO2000                       | 019303      | NA                  | NA                      |
| Turn Table<br>ADT.                      | TT100.                       | TT93021704  | NA                  | NA                      |
| Turn Table Controller<br>ADT.           | SC100.                       | SC93021704  | NA                  | NA                      |

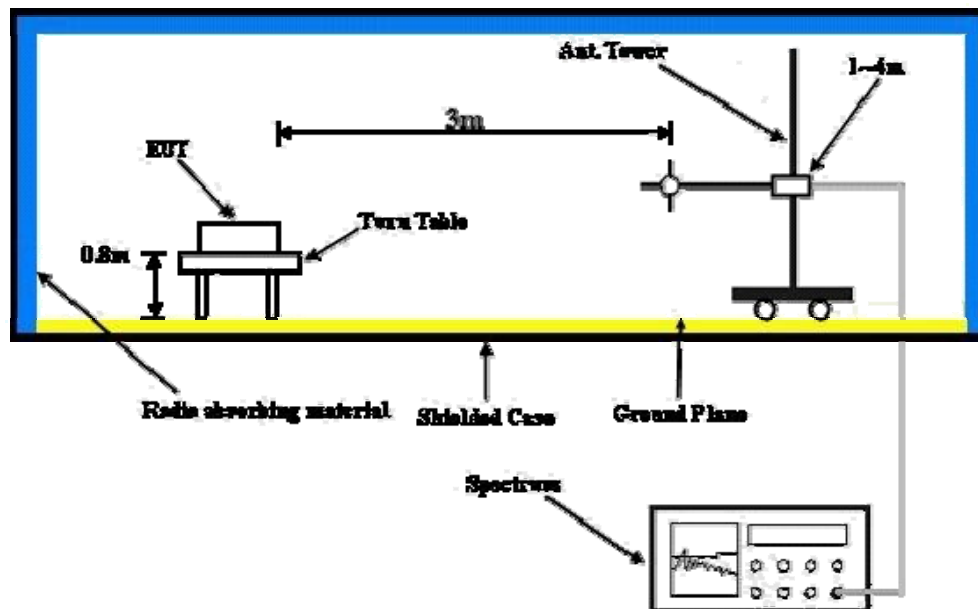
- NOTE:**
1. The calibration interval of the above test instruments is 12 months and the calibrations are traceable to NML/ROC and NIST/USA.
  2. The test was performed in HwaYa Chamber 4.
  3. The horn antenna and HP preamplifier (model: 8449B) are used only for the measurement of emission frequency above 1GHz if tested.
  4. The FCC Site Registration No. is 988962.
  5. The IC Site Registration No. is IC7450F-4.

#### 4.1.3 TEST PROCEDURES

- a. The power was measured with R&S Spectrum Analyzer. All measurements were done at 3 channels, 512, 661 and 810 (GSM) (low, middle and high operational frequency range.)
- b. The conducted peak output power used the power splitter via EUT RF power connector between simulation base station and spectrum analyzer. The path loss included the splitter loss, cable loss and 20dB pad loss. The spectrum set RB/VB 1MHz (GSM), then read peak power value and record to the test. (All transmitted path loss shall be considered in the test report data.)
- c. Substitution method is used for E.I.R.P measurement. In the semi-anechoic chamber, EUT placed on the 0.8m height of Turn Table, rotated the table around 360 degrees to search the maximum radiation power and receiver antenna shall be rotated vertical and horizontal polarization and moved height from 1m to 4m to find the maximum polar radiated power. The “Read Value” is the spectrum reading the maximum power value.
- d. The substitution horn antenna is substituted for EUT at the same position and signals generator export the CW signal to the substitution antenna via a tx cable. Rotated the Turn Table and moved receiving antenna to find the maximum radiation power. Adjust output power level of S.G to get a Value of spectrum reading equal to “Read Value” of step c. Record the power level of S.G
- e.  $EIRP = \text{Output power level of S.G} - \text{TX cable loss} + \text{Antenna gain of substitution horn.}$

#### 4.1.4 TEST SETUP

##### EIRP POWER MEASUREMENT:



For the actual test configuration, please refer to the attached file (Test Setup Photo).

#### 4.1.5 EUT OPERATING CONDITIONS

- a. The EUT makes a phone call to the communication simulator.
- b. The communication simulator station system controlled an EUT to export maximum output power under transmission mode and specific channel frequency.

#### 4.1.6 TEST RESULTS

##### X-AXIS

##### FOR GSM

| EIRP        |                 |                 |                        |              |       |
|-------------|-----------------|-----------------|------------------------|--------------|-------|
| CHANNEL NO. | FREQUENCY (MHz) | S.G VALUE (dBm) | CORRECTION FACTOR (dB) | OUTPUT POWER |       |
|             |                 |                 |                        | dBm          | mW    |
| 512         | 1850.2          | 20.3            | 8.4                    | 28.7         | 741.3 |
| 661         | 1880.0          | 18.8            | 8.6                    | 27.4         | 549.5 |
| 810         | 1909.8          | 17.6            | 8.5                    | 26.1         | 407.4 |

##### FOR GPRS-T1

| EIRP        |                 |                 |                        |              |       |
|-------------|-----------------|-----------------|------------------------|--------------|-------|
| CHANNEL NO. | FREQUENCY (MHz) | S.G VALUE (dBm) | CORRECTION FACTOR (dB) | OUTPUT POWER |       |
|             |                 |                 |                        | dBm          | mW    |
| 512         | 1850.2          | 20.8            | 8.4                    | 29.2         | 831.8 |
| 661         | 1880.0          | 19.2            | 8.6                    | 27.8         | 602.6 |
| 810         | 1909.8          | 17.8            | 8.5                    | 26.3         | 426.6 |

##### Y-AXIS

##### FOR GSM

| EIRP        |                 |                 |                        |              |       |
|-------------|-----------------|-----------------|------------------------|--------------|-------|
| CHANNEL NO. | FREQUENCY (MHz) | S.G VALUE (dBm) | CORRECTION FACTOR (dB) | OUTPUT POWER |       |
|             |                 |                 |                        | dBm          | mW    |
| 512         | 1850.2          | 20.0            | 8.4                    | 28.4         | 691.8 |
| 661         | 1880.0          | 19.3            | 8.6                    | 27.9         | 616.6 |
| 810         | 1909.8          | 20.9            | 8.5                    | 29.4         | 871.0 |

##### FOR GPRS-T1

| EIRP        |                 |                 |                        |              |              |
|-------------|-----------------|-----------------|------------------------|--------------|--------------|
| CHANNEL NO. | FREQUENCY (MHz) | S.G VALUE (dBm) | CORRECTION FACTOR (dB) | OUTPUT POWER |              |
|             |                 |                 |                        | dBm          | mW           |
| 512         | 1850.2          | 20.4            | 8.4                    | 28.8         | 758.6        |
| 661         | 1880.0          | 19.6            | 8.6                    | 28.2         | 660.7        |
| <b>810</b>  | <b>1909.8</b>   | <b>21.2</b>     | <b>8.5</b>             | <b>29.7</b>  | <b>933.3</b> |

**REMARKS:** 1. Peak Output Power (dBm) = S.G Value (dBm) + Correction Factor (dB).

2. Correction Factor (dB) = Substitution Antenna Gain (dBi) + Cable Loss (dB)



**Z-AXIS**  
**FOR GSM**

| EIRP        |                 |                 |                        |              |       |
|-------------|-----------------|-----------------|------------------------|--------------|-------|
| CHANNEL NO. | FREQUENCY (MHz) | S.G VALUE (dBm) | CORRECTION FACTOR (dB) | OUTPUT POWER |       |
|             |                 |                 |                        | dBm          | mW    |
| 512         | 1850.2          | 18.7            | 8.4                    | 27.1         | 512.9 |
| 661         | 1880.0          | 18.0            | 8.6                    | 26.6         | 457.1 |
| 810         | 1909.8          | 17.9            | 8.5                    | 26.4         | 436.5 |

**FOR GPRS-T1**

| EIRP        |                 |                 |                        |              |       |
|-------------|-----------------|-----------------|------------------------|--------------|-------|
| CHANNEL NO. | FREQUENCY (MHz) | S.G VALUE (dBm) | CORRECTION FACTOR (dB) | OUTPUT POWER |       |
|             |                 |                 |                        | dBm          | mW    |
| 512         | 1850.2          | 19.1            | 8.4                    | 27.5         | 562.3 |
| 661         | 1880.0          | 18.3            | 8.6                    | 26.9         | 489.8 |
| 810         | 1909.8          | 17.5            | 8.5                    | 26.0         | 398.1 |

**REMARKS:** 1. Peak Output Power (dBm) = S.G Value (dBm) + Correction Factor (dB).  
2. Correction Factor (dB) = Substitution Antenna Gain (dBi) + Cable Loss (dB)

## 4.2 RADIATED EMISSION MEASUREMENT (BELOW 1GHz)

### 4.2.1 LIMITS OF RADIATED EMISSION MEASUREMENT

In the FCC 24.238(a), On any frequency outside a licensee's frequency block within USPCS spectrum, the power of any emission shall be attenuated below the transmitter power (P) by at least  $43 + 10 \log (P)$  dB. The specified minimum attenuation becomes 43dB and the limit of emission equal to  $-13\text{dBm}$ .

### 4.2.2 TEST INSTRUMENTS

Same as 4.1.2.

#### 4.2.3 TEST PROCEDURES

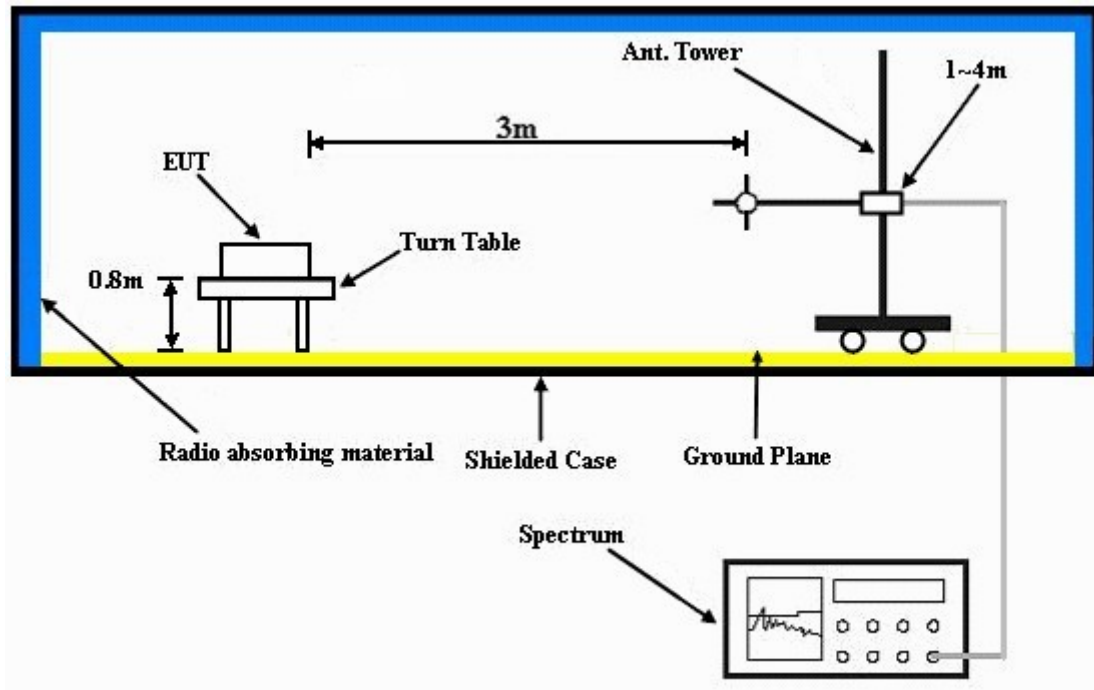
- a. Substitution method is used for E.I.R.P measurement. In the semi-anechoic chamber, EUT placed on the 0.8m height of Turn Table, rotated the table around 360 degrees to search the maximum radiation power and receiver antenna shall be rotated vertical and horizontal polarization and moved height from 1m to 4m to find the maximum polar radiated power. The “Read Value” is the spectrum reading the maximum power value.
- b. The substitution horn antenna is substituted for EUT at the same position and signals generator export the CW signal to the substitution antenna via a TX cable. Rotated the Turn Table and moved receiving antenna to find the maximum radiation power. Adjust output power level of S.G to get a Value of spectrum reading equal to “Read Value” of step a. Record the power level of S.G
- c.  $EIRP = \text{Output power level of S.G} - \text{TX cable loss} + \text{Antenna gain of substitution horn.}$

**NOTE:** The resolution bandwidth and video bandwidth of test receiver/spectrum analyzer is 1MHz/3MHz.

#### 4.2.4 DEVIATION FROM TEST STANDARD

No deviation

#### 4.2.5 TEST SETUP



For the actual test configuration, please refer to the attached file (Test Setup Photo).

#### 4.2.6 EUT OPERATING CONDITIONS

- a. The EUT makes a phone call to the communication simulator.
- b. The communication simulator station system controlled an EUT to export maximum output power under transmission mode and specific channel frequency.

## 4.2.7 TEST RESULTS

### X-AXIS

| MODE  |             | TX channel 661        |             |                       |                        |                   |
|---|-------------|-----------------------|-------------|-----------------------|------------------------|-------------------|
| ANTENNA POLARITY & TEST DISTANCE: HORIZONTAL AT 3 M |             |                       |             |                       |                        |                   |
| No.   | Freq. (MHz) | Emission Level (dBuV) | Limit (dBm) | S.G Power Value (dBm) | Correction Factor (dB) | Power Value (dBm) |
| 1   | 66.93       | 25.5                  | -13.0       | -61.4                 | -7.7                   | -69.1             |
| 2   | 148.58      | 21.5                  | -13.0       | -65.5                 | -7.7                   | -73.2             |
| 3   | 354.63      | 22.6                  | -13.0       | -64.2                 | -7.8                   | -72.0             |
| 4   | 535.41      | 27.5                  | -13.0       | -58.8                 | -7.8                   | -66.6             |
| 5   | 737.58      | 31.1                  | -13.0       | -55.5                 | -7.9                   | -63.4             |
| 6   | 836.71      | 43.9                  | -13.0       | -43.0                 | -7.9                   | -50.9             |
| ANTENNA POLARITY & TEST DISTANCE: VERTICAL AT 3 M   |             |                       |             |                       |                        |                   |
| No.   | Freq. (MHz) | Emission Level (dBuV) | Limit (dBm) | S.G Power Value (dBm) | Correction Factor (dB) | Power Value (dBm) |
| 1   | 31.94       | 34.0                  | -13.0       | -52.1                 | -7.7                   | -59.8             |
| 2   | 66.93       | 34.0                  | -13.0       | -52.5                 | -7.7                   | -60.2             |
| 3   | 98.04       | 28.0                  | -13.0       | -58.7                 | -7.7                   | -66.4             |
| 4   | 399.34      | 24.5                  | -13.0       | -62.4                 | -7.8                   | -70.2             |
| 5   | 564.57      | 28.1                  | -13.0       | -58.5                 | -7.8                   | -66.3             |
| 6   | 741.46      | 31.2                  | -13.0       | -56.1                 | -7.9                   | -64.0             |

**NOTE:** Power Value (dBum) = S.G Power Value (dBm) + Correction Factor (dB).

**Y-AXIS**

| MODE  |             | TX channel 661        |             |                       |                        |                   |
|---|-------------|-----------------------|-------------|-----------------------|------------------------|-------------------|
| ANTENNA POLARITY & TEST DISTANCE: HORIZONTAL AT 3 M |             |                       |             |                       |                        |                   |
| No.   | Freq. (MHz) | Emission Level (dBUV) | Limit (dBm) | S.G Power Value (dBm) | Correction Factor (dB) | Power Value (dBm) |
| 1   | 74.71       | 27.1                  | -13.0       | -60.0                 | -7.7                   | -67.7             |
| 2   | 146.63      | 25.0                  | -13.0       | -61.5                 | -7.7                   | -69.2             |
| 3   | 179.68      | 26.2                  | -13.0       | -60.3                 | -7.7                   | -68.0             |
| 4   | 348.80      | 22.6                  | -13.0       | -64.2                 | -7.8                   | -72.0             |
| 5   | 508.20      | 27.1                  | -13.0       | -59.3                 | -7.8                   | -67.1             |
| 6   | 836.71      | 40.9                  | -13.0       | -45.7                 | -7.9                   | -53.6             |
| ANTENNA POLARITY & TEST DISTANCE: VERTICAL AT 3 M   |             |                       |             |                       |                        |                   |
| No.   | Freq. (MHz) | Emission Level (dBUV) | Limit (dBm) | S.G Power Value (dBm) | Correction Factor (dB) | Power Value (dBm) |
| 1   | 30.00       | 34.2                  | -13.0       | -52.8                 | -7.7                   | -60.5             |
| 2   | 64.99       | 33.2                  | -13.0       | -53.7                 | -7.7                   | -61.4             |
| 3   | 98.04       | 30.7                  | -13.0       | -56.0                 | -7.7                   | -63.7             |
| 4   | 438.22      | 25.2                  | -13.0       | -61.3                 | -7.8                   | -69.1             |
| 5   | 543.19      | 28.1                  | -13.0       | -59.0                 | -7.8                   | -66.8             |
| 6   | 737.58      | 31.4                  | -13.0       | -55.5                 | -7.9                   | -63.4             |

**NOTE:** Power Value (dBum) = S.G Power Value (dBm) + Correction Factor (dB).

### Z-AXIS

| MODE  |             | TX channel 661        |             |                       |                        |                   |
|---|-------------|-----------------------|-------------|-----------------------|------------------------|-------------------|
| ANTENNA POLARITY & TEST DISTANCE: HORIZONTAL AT 3 M |             |                       |             |                       |                        |                   |
| No.   | Freq. (MHz) | Emission Level (dBuV) | Limit (dBm) | S.G Power Value (dBm) | Correction Factor (dB) | Power Value (dBm) |
| 1   | 72.77       | 26.4                  | -13.0       | -60.0                 | -7.7                   | -67.7             |
| 2   | 98.04       | 26.0                  | -13.0       | -61.0                 | -7.7                   | -68.7             |
| 3   | 146.63      | 25.4                  | -13.0       | -61.3                 | -7.7                   | -69.0             |
| 4   | 385.73      | 23.8                  | -13.0       | -62.5                 | -7.8                   | -70.3             |
| 5   | 609.28      | 29.3                  | -13.0       | -57.6                 | -7.8                   | -65.4             |
| 6   | 714.25      | 30.8                  | -13.0       | -55.9                 | -7.9                   | -63.8             |
| ANTENNA POLARITY & TEST DISTANCE: VERTICAL AT 3 M   |             |                       |             |                       |                        |                   |
| No.   | Freq. (MHz) | Emission Level (dBuV) | Limit (dBm) | S.G Power Value (dBm) | Correction Factor (dB) | Power Value (dBm) |
| 1   | 30.00       | 34.7                  | -13.0       | -51.9                 | -7.7                   | -59.6             |
| 2   | 64.99       | 32.3                  | -13.0       | -54.1                 | -7.7                   | -61.8             |
| 3   | 98.04       | 28.8                  | -13.0       | -57.3                 | -7.7                   | -65.0             |
| 4   | 440.16      | 25.2                  | -13.0       | -61.3                 | -7.8                   | -69.1             |
| 5   | 552.91      | 28.0                  | -13.0       | -59.0                 | -7.8                   | -66.8             |
| 6   | 665.65      | 30.2                  | -13.0       | -56.2                 | -7.8                   | -64.0             |

**NOTE:** Power Value (dBum) = S.G Power Value (dBm) + Correction Factor (dB).

### **4.3 RADIATED EMISSION MEASUREMENT (ABOVE 1GHz)**

#### **4.3.1 LIMITS OF RADIATED EMISSION MEASUREMENT**

Same as 4.2.1.

#### **4.3.2 TEST INSTRUMENTS**

Same as 4.2.2.

#### **4.3.3 TEST PROCEDURES**

Same as 4.2.3.

#### **4.3.4 DEVIATION FROM TEST STANDARD**

No deviation

#### **4.3.5 TEST SETUP**

Same as 4.2.5.

#### **4.3.6 EUT OPERATING CONDITIONS**

Same as 4.2.6.



### 4.3.7 TEST RESULTS

#### X-AXIS

| MODE  |             | TX channel 512        |             |                       |                        |                   |
|---|-------------|-----------------------|-------------|-----------------------|------------------------|-------------------|
| ANTENNA POLARITY & TEST DISTANCE: HORIZONTAL AT 3 M |             |                       |             |                       |                        |                   |
| No.   | Freq. (MHz) | Emission Level (dBuV) | Limit (dBm) | S.G Power Value (dBm) | Correction Factor (dB) | Power Value (dBm) |
| 1   | 3700.40     | 63.6                  | -13.0       | -41.2                 | 9.9                    | -31.3             |
| 2   | 5550.60     | 60.7                  | -13.0       | -43.6                 | 9.7                    | -33.9             |
| 3   | 7400.80     | 57.0                  | -13.0       | -45.1                 | 7.9                    | -37.2             |
| ANTENNA POLARITY & TEST DISTANCE: VERTICAL AT 3 M   |             |                       |             |                       |                        |                   |
| No.   | Freq. (MHz) | Emission Level (dBuV) | Limit (dBm) | S.G Power Value (dBm) | Correction Factor (dB) | Power Value (dBm) |
| 1   | 3700.40     | 63.9                  | -13.0       | -40.2                 | 9.9                    | -30.3             |
| 2   | 5550.60     | 59.2                  | -13.0       | -44.8                 | 9.7                    | -35.1             |
| 3   | 7400.80     | 61.4                  | -13.0       | -40.9                 | 7.9                    | -33.0             |
| MODE  |             | TX channel 661        |             |                       |                        |                   |
| ANTENNA POLARITY & TEST DISTANCE: HORIZONTAL AT 3 M |             |                       |             |                       |                        |                   |
| No.   | Freq. (MHz) | Emission Level (dBuV) | Limit (dBm) | S.G Power Value (dBm) | Correction Factor (dB) | Power Value (dBm) |
| 1   | 3760.00     | 64.4                  | -13.0       | -40.1                 | 9.9                    | -30.2             |
| 2   | 5640.00     | 62.0                  | -13.0       | -41.8                 | 9.6                    | -32.2             |
| 3   | 7520.00     | 61.0                  | -13.0       | -41.1                 | 7.9                    | -33.2             |
| ANTENNA POLARITY & TEST DISTANCE: VERTICAL AT 3 M   |             |                       |             |                       |                        |                   |
| No.   | Freq. (MHz) | Emission Level (dBuV) | Limit (dBm) | S.G Power Value (dBm) | Correction Factor (dB) | Power Value (dBm) |
| 1   | 3760.00     | 69.7                  | -13.0       | -34.7                 | 9.9                    | -24.8             |
| 2   | 5640.00     | 64.2                  | -13.0       | -40.1                 | 9.6                    | -30.5             |
| 3   | 7520.00     | 60.3                  | -13.0       | -41.8                 | 7.9                    | -33.9             |

**NOTE:** Power Value (dBum) = S.G Power Value (dBm) + Correction Factor (dB).



| MODE  |             | TX channel 810        |             |                       |                        |                   |
|---|-------------|-----------------------|-------------|-----------------------|------------------------|-------------------|
| ANTENNA POLARITY & TEST DISTANCE: HORIZONTAL AT 3 M |             |                       |             |                       |                        |                   |
| No.   | Freq. (MHz) | Emission Level (dBuV) | Limit (dBm) | S.G Power Value (dBm) | Correction Factor (dB) | Power Value (dBm) |
| 1   | 3819.60     | 76.2                  | -13.0       | -27.9                 | 9.9                    | -18.0             |
| 2   | 5729.40     | 67.3                  | -13.0       | -36.7                 | 9.6                    | -27.1             |
| 3   | 7639.20     | 66.3                  | -13.0       | -35.9                 | 7.9                    | -28.0             |
| ANTENNA POLARITY & TEST DISTANCE: VERTICAL AT 3 M   |             |                       |             |                       |                        |                   |
| No.   | Freq. (MHz) | Emission Level (dBuV) | Limit (dBm) | S.G Power Value (dBm) | Correction Factor (dB) | Power Value (dBm) |
| 1   | 3819.60     | 76.6                  | -13.0       | -27.9                 | 9.9                    | -18.0             |
| 2   | 5729.40     | 65.7                  | -13.0       | -38.0                 | 9.6                    | -28.4             |
| 3   | 7639.20     | 67.4                  | -13.0       | -34.7                 | 7.9                    | -26.8             |

**NOTE:** Power Value (dBum) = S.G Power Value (dBm) + Correction Factor (dB).

**Y-AXIS**

| <b>MODE</b>  |             | TX channel 512        |             |                       |                        |                   |
|--|-------------|-----------------------|-------------|-----------------------|------------------------|-------------------|
| <b>ANTENNA POLARITY &amp; TEST DISTANCE: HORIZONTAL AT 3 M</b> |             |                       |             |                       |                        |                   |
| No.  | Freq. (MHz) | Emission Level (dBuV) | Limit (dBm) | S.G Power Value (dBm) | Correction Factor (dB) | Power Value (dBm) |
| 1  | 3700.40     | 71.2                  | -13.0       | -33.3                 | 9.9                    | -23.4             |
| 2  | 5550.60     | 67.8                  | -13.0       | -36.1                 | 9.7                    | -26.4             |
| 3  | 7400.80     | 64.7                  | -13.0       | -37.4                 | 7.9                    | -29.5             |
| <b>ANTENNA POLARITY &amp; TEST DISTANCE: VERTICAL AT 3 M</b>   |             |                       |             |                       |                        |                   |
| No.  | Freq. (MHz) | Emission Level (dBuV) | Limit (dBm) | S.G Power Value (dBm) | Correction Factor (dB) | Power Value (dBm) |
| 1  | 3700.40     | 69.4                  | -13.0       | -35.2                 | 9.9                    | -25.3             |
| 2  | 5550.60     | 66.2                  | -13.0       | -37.6                 | 9.7                    | -27.9             |
| 3  | 7400.80     | 63.4                  | -13.0       | -39.3                 | 7.9                    | -31.4             |
| <b>MODE</b>  |             | TX channel 661        |             |                       |                        |                   |
| <b>ANTENNA POLARITY &amp; TEST DISTANCE: HORIZONTAL AT 3 M</b> |             |                       |             |                       |                        |                   |
| No.  | Freq. (MHz) | Emission Level (dBuV) | Limit (dBm) | S.G Power Value (dBm) | Correction Factor (dB) | Power Value (dBm) |
| 1  | 3760.00     | 78.7                  | -13.0       | -26.1                 | 9.9                    | -16.2             |
| 2  | 5640.00     | 67.4                  | -13.0       | -37.1                 | 9.6                    | -27.5             |
| 3  | 7520.00     | 65.7                  | -13.0       | -36.2                 | 7.9                    | -28.3             |
| <b>ANTENNA POLARITY &amp; TEST DISTANCE: VERTICAL AT 3 M</b>   |             |                       |             |                       |                        |                   |
| No.  | Freq. (MHz) | Emission Level (dBuV) | Limit (dBm) | S.G Power Value (dBm) | Correction Factor (dB) | Power Value (dBm) |
| 1  | 3760.00     | 77.4                  | -13.0       | -26.6                 | 9.9                    | -16.7             |
| 2  | 5640.00     | 66.6                  | -13.0       | -37.2                 | 9.6                    | -27.6             |
| 3  | 7520.00     | 62.1                  | -13.0       | -40.4                 | 7.9                    | -32.5             |

**NOTE:** Power Value (dBum) = S.G Power Value (dBm) + Correction Factor (dB).



| MODE  |             | TX channel 810        |             |                       |                        |                   |
|---|-------------|-----------------------|-------------|-----------------------|------------------------|-------------------|
| ANTENNA POLARITY & TEST DISTANCE: HORIZONTAL AT 3 M |             |                       |             |                       |                        |                   |
| No.   | Freq. (MHz) | Emission Level (dBuV) | Limit (dBm) | S.G Power Value (dBm) | Correction Factor (dB) | Power Value (dBm) |
| 1   | 3819.60     | 78.2                  | -13.0       | -26.0                 | 9.9                    | -16.1             |
| 2   | 5729.40     | 67.4                  | -13.0       | -36.8                 | 9.6                    | -27.2             |
| 3   | 7639.20     | 72.6                  | -13.0       | -29.5                 | 7.9                    | -21.6             |
| ANTENNA POLARITY & TEST DISTANCE: VERTICAL AT 3 M   |             |                       |             |                       |                        |                   |
| No.   | Freq. (MHz) | Emission Level (dBuV) | Limit (dBm) | S.G Power Value (dBm) | Correction Factor (dB) | Power Value (dBm) |
| 1   | 3819.60     | 78.0                  | -13.0       | -26.5                 | 9.9                    | -16.6             |
| 2   | 5729.40     | 62.1                  | -13.0       | -42.2                 | 9.6                    | -32.6             |
| 3   | 7639.20     | 67.6                  | -13.0       | -34.6                 | 7.9                    | -26.7             |

**NOTE:** Power Value (dBum) = S.G Power Value (dBm) + Correction Factor (dB).

**Z-AXIS**

| MODE  |             | TX channel 512        |             |                       |                        |                   |
|---|-------------|-----------------------|-------------|-----------------------|------------------------|-------------------|
| ANTENNA POLARITY & TEST DISTANCE: HORIZONTAL AT 3 M |             |                       |             |                       |                        |                   |
| No.   | Freq. (MHz) | Emission Level (dBuV) | Limit (dBm) | S.G Power Value (dBm) | Correction Factor (dB) | Power Value (dBm) |
| 1   | 3700.40     | 64.5                  | -13.0       | -39.8                 | 9.9                    | -29.9             |
| 2   | 5550.60     | 64.7                  | -13.0       | -39.9                 | 9.7                    | -30.2             |
| 3   | 7400.80     | 61.0                  | -13.0       | -41.4                 | 7.9                    | -33.5             |
| ANTENNA POLARITY & TEST DISTANCE: VERTICAL AT 3 M   |             |                       |             |                       |                        |                   |
| No.   | Freq. (MHz) | Emission Level (dBuV) | Limit (dBm) | S.G Power Value (dBm) | Correction Factor (dB) | Power Value (dBm) |
| 1   | 3700.40     | 67.7                  | -13.0       | -36.9                 | 9.9                    | -27.0             |
| 2   | 5550.60     | 61.9                  | -13.0       | -42.3                 | 9.7                    | -32.6             |
| 3   | 7400.80     | 60.4                  | -13.0       | -42.1                 | 7.9                    | -34.2             |
| MODE  |             | TX channel 661        |             |                       |                        |                   |
| ANTENNA POLARITY & TEST DISTANCE: HORIZONTAL AT 3 M |             |                       |             |                       |                        |                   |
| No.   | Freq. (MHz) | Emission Level (dBuV) | Limit (dBm) | S.G Power Value (dBm) | Correction Factor (dB) | Power Value (dBm) |
| 1   | 3760.00     | 75.0                  | -13.0       | -29.6                 | 9.9                    | -19.7             |
| 2   | 5640.00     | 68.0                  | -13.0       | -35.5                 | 9.6                    | -25.9             |
| 3   | 7520.00     | 63.4                  | -13.0       | -39.0                 | 7.9                    | -31.1             |
| ANTENNA POLARITY & TEST DISTANCE: VERTICAL AT 3 M   |             |                       |             |                       |                        |                   |
| No.   | Freq. (MHz) | Emission Level (dBuV) | Limit (dBm) | S.G Power Value (dBm) | Correction Factor (dB) | Power Value (dBm) |
| 1   | 3760.00     | 74.6                  | -13.0       | -29.5                 | 9.9                    | -19.6             |
| 2   | 5640.00     | 66.2                  | -13.0       | -38.0                 | 9.6                    | -28.4             |
| 3   | 7520.00     | 65.6                  | -13.0       | -37.1                 | 7.9                    | -29.2             |

**NOTE:** Power Value (dBum) = S.G Power Value (dBm) + Correction Factor (dB).

| <b>MODE</b>  |                | TX channel 810        |              |                       |                        |                   |
|--|----------------|-----------------------|--------------|-----------------------|------------------------|-------------------|
| <b>ANTENNA POLARITY &amp; TEST DISTANCE: HORIZONTAL AT 3 M</b> |                |                       |              |                       |                        |                   |
| No.  | Freq. (MHz)    | Emission Level (dBuV) | Limit (dBm)  | S.G Power Value (dBm) | Correction Factor (dB) | Power Value (dBm) |
| 1  | 3819.60        | 78.7                  | -13.0        | -25.8                 | 9.9                    | -15.9             |
| 2  | 5729.40        | 68.3                  | -13.0        | -36.1                 | 9.6                    | -26.5             |
| 3  | 7639.20        | 70.2                  | -13.0        | -32.6                 | 7.9                    | -24.7             |
| <b>ANTENNA POLARITY &amp; TEST DISTANCE: VERTICAL AT 3 M</b>   |                |                       |              |                       |                        |                   |
| No.  | Freq. (MHz)    | Emission Level (dBuV) | Limit (dBm)  | S.G Power Value (dBm) | Correction Factor (dB) | Power Value (dBm) |
| 1  | <b>3819.60</b> | <b>79.0</b>           | <b>-13.0</b> | <b>-25.1</b>          | <b>9.9</b>             | <b>-15.2</b>      |
| 2  | 5729.40        | 64.8                  | -13.0        | -39.5                 | 9.6                    | -29.9             |
| 3  | 7639.20        | 66.0                  | -13.0        | -36.5                 | 7.9                    | -28.6             |

**NOTE:** Power Value (dBum) = S.G Power Value (dBm) + Correction Factor (dB).

## 4.4 CONDUCTED EMISSION MEASUREMENT

### 4.4.1 LIMITS OF CONDUCTED EMISSION MEASUREMENT

| FREQUENCY OF EMISSION (MHz) | CONDUCTED LIMIT (dB $\mu$ V) |          |
|-----------------------------|------------------------------|----------|
|                             | Quasi-peak                   | Average  |
| 0.15-0.5                    | 66 to 56                     | 56 to 46 |
| 0.5-5                       | 56                           | 46       |
| 5-30                        | 60                           | 50       |

- NOTE:**
1. The lower limit shall apply at the transition frequencies.
  2. The limit decreases in line with the logarithm of the frequency in the range of 0.15 to 0.50 MHz.
  3. All emanations from a class A/B digital device or system, including any network of conductors and apparatus connected thereto, shall not exceed the level of field strengths specified above.

### 4.4.2 TEST INSTRUMENTS

| DESCRIPTION & MANUFACTURER       | MODEL NO.           | SERIAL NO.     | DATE OF CALIBRATION | DUE DATE OF CALIBRATION |
|----------------------------------|---------------------|----------------|---------------------|-------------------------|
| Test Receiver<br>ROHDE & SCHWARZ | ESCS30              | 100289         | Nov. 23, 2010       | Nov. 22, 2011           |
| RF signal cable<br>Woken         | 5D-FB               | Cable-HYCO2-01 | Dec. 30, 2010       | Dec. 29, 2011           |
| LISN<br>ROHDE & SCHWARZ          | ESH2-Z5             | 100100         | Jan. 06, 2011       | Jan. 05, 2012           |
| LISN<br>ROHDE & SCHWARZ          | ESH3-Z5             | 100311         | Jul. 08, 2010       | Jul. 07, 2011           |
| V-LISN<br>SCHWARZBECK            | NNBL 8226-2         | 8226-142       | Jul. 12, 2010       | Jul. 11, 2011           |
| LISN<br>ROHDE & SCHWARZ          | ENV216              | 100072         | Jun. 11, 2010       | Jun. 10, 2011           |
| Software<br>ADT                  | ADT_Cond_<br>V7.3.7 | NA             | NA                  | NA                      |

- NOTE:**
1. The calibration interval of the above test instruments is 12 months and the calibrations are traceable to NML/ROC and NIST/USA.
  2. The test was performed in HwaYa Shielded Room 2.
  3. The VCCI Site Registration No. is C-2047.

#### 4.4.3 TEST PROCEDURES

- a. The EUT was placed 0.4 meters from the conducting wall of the shielded room with EUT being connected to the power mains through a line impedance stabilization network (LISN). Other support units were connected to the power mains through another LISN. The two LISNs provide 50 ohm/ 50uH of coupling impedance for the measuring instrument.
- b. Both lines of the power mains connected to the EUT were checked for maximum conducted interference.
- c. The frequency range from 150kHz to 30MHz was searched. Emission levels under (Limit - 20dB) was not recorded.

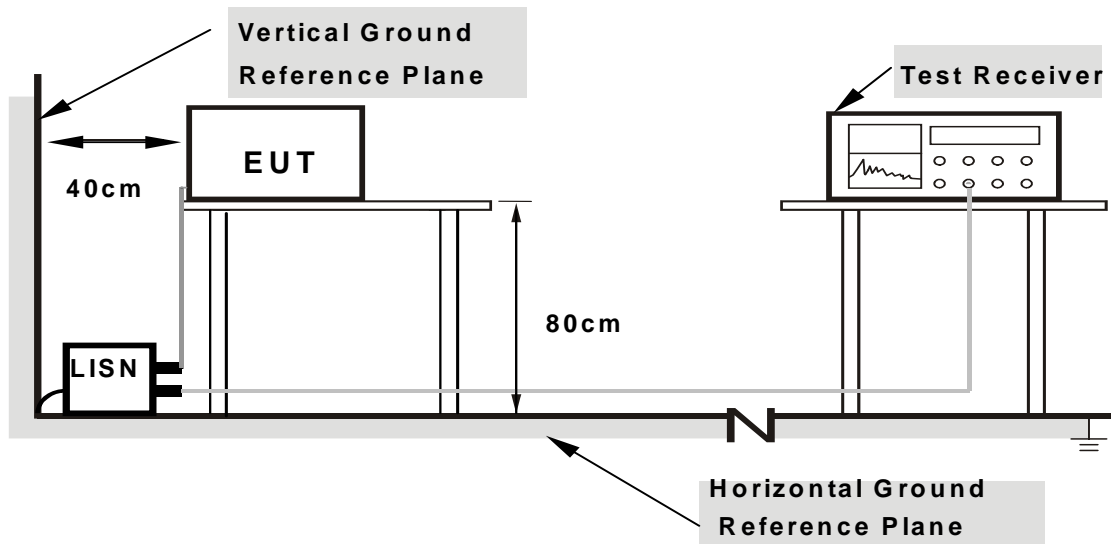
**NOTE:** All modes of operation were investigated and the worst-case emissions are reported.

#### 4.4.4 DEVIATION FROM TEST STANDARD

No deviation.



#### 4.4.5 TEST SETUP



- Note:**
1. Support units were connected to second LISN.
  2. Both of LISNs (AMN) are 80 cm from EUT and at least 80 from other units and other metal planes

For the actual test configuration, please refer to the attached file (Test Setup Photo).

#### 4.4.6 EUT OPERATING CONDITIONS

Set the EUT under transmitting condition.

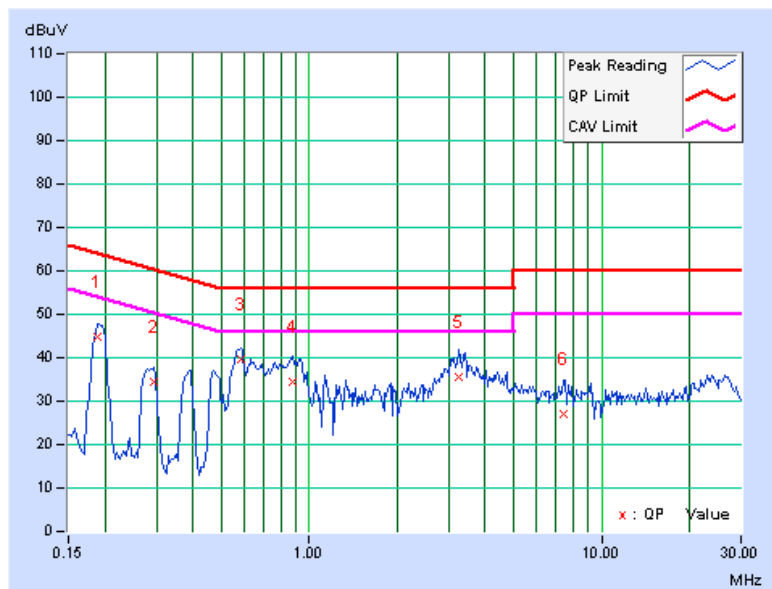
#### 4.4.7 TEST RESULTS

##### CONDUCTED WORST CASE DATA:

|       |        |               |      |
|-------|--------|---------------|------|
| PHASE | Line 1 | 6dB BANDWIDTH | 9kHz |
|-------|--------|---------------|------|

| No | Freq.<br>[MHz] | Corr. Factor<br>(dB) | Reading Value |     | Emission Level |     | Limit     |       | Margin |     |
|----|----------------|----------------------|---------------|-----|----------------|-----|-----------|-------|--------|-----|
|    |                |                      | [dB (uV)]     |     | [dB (uV)]      |     | [dB (uV)] |       | (dB)   |     |
|    |                |                      | Q.P.          | AV. | Q.P.           | AV. | Q.P.      | AV.   | Q.P.   | AV. |
| 1  | 0.189          | 0.15                 | 44.60         | -   | 44.75          | -   | 64.08     | 54.08 | -19.33 | -   |
| 2  | 0.295          | 0.16                 | 34.27         | -   | 34.43          | -   | 60.40     | 50.40 | -25.97 | -   |
| 3  | 0.584          | 0.18                 | 39.34         | -   | 39.52          | -   | 56.00     | 46.00 | -16.48 | -   |
| 4  | 0.873          | 0.19                 | 34.16         | -   | 34.35          | -   | 56.00     | 46.00 | -21.65 | -   |
| 5  | 3.258          | 0.28                 | 35.43         | -   | 35.71          | -   | 56.00     | 46.00 | -20.29 | -   |
| 6  | 7.402          | 0.46                 | 26.71         | -   | 27.17          | -   | 60.00     | 50.00 | -32.83 | -   |

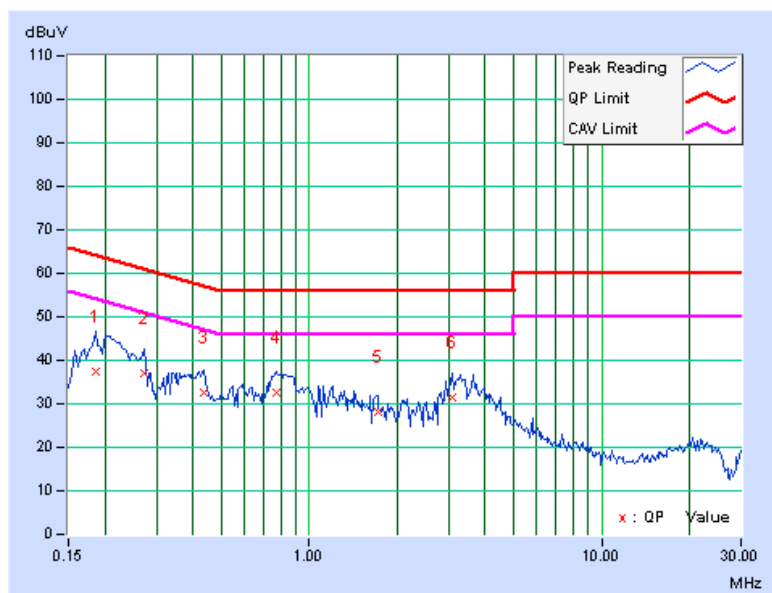
- REMARKS:**
1. Q.P. and AV. are abbreviations of quasi-peak and average individually.
  2. "-": The Quasi-peak reading value also meets average limit and measurement with the average detector is unnecessary.
  3. The emission levels of other frequencies were very low against the limit.
  4. Margin value = Emission level - Limit value
  5. Correction factor = Insertion loss + Cable loss
  6. Emission Level = Correction Factor + Reading Value.



|       |        |               |      |
|-------|--------|---------------|------|
| PHASE | Line 2 | 6dB BANDWIDTH | 9kHz |
|-------|--------|---------------|------|

| No | Freq.<br>[MHz] | Corr. Factor<br>(dB) | Reading Value |     | Emission Level |     | Limit     |       | Margin |     |
|----|----------------|----------------------|---------------|-----|----------------|-----|-----------|-------|--------|-----|
|    |                |                      | [dB (uV)]     |     | [dB (uV)]      |     | [dB (uV)] |       | (dB)   |     |
|    |                |                      | Q.P.          | AV. | Q.P.           | AV. | Q.P.      | AV.   | Q.P.   | AV. |
| 1  | 0.185          | 0.17                 | 37.29         | -   | 37.46          | -   | 64.25     | 54.25 | -26.80 | -   |
| 2  | 0.271          | 0.18                 | 36.84         | -   | 37.02          | -   | 61.08     | 51.08 | -24.07 | -   |
| 3  | 0.435          | 0.19                 | 32.36         | -   | 32.55          | -   | 57.15     | 47.15 | -24.60 | -   |
| 4  | 0.771          | 0.20                 | 32.54         | -   | 32.74          | -   | 56.00     | 46.00 | -23.26 | -   |
| 5  | 1.715          | 0.22                 | 27.87         | -   | 28.09          | -   | 56.00     | 46.00 | -27.91 | -   |
| 6  | 3.086          | 0.28                 | 31.17         | -   | 31.45          | -   | 56.00     | 46.00 | -24.55 | -   |

- REMARKS:**
1. Q.P. and AV. are abbreviations of quasi-peak and average individually.
  2. "-": The Quasi-peak reading value also meets average limit and measurement with the average detector is unnecessary.
  3. The emission levels of other frequencies were very low against the limit.
  4. Margin value = Emission level - Limit value
  5. Correction factor = Insertion loss + Cable loss
  6. Emission Level = Correction Factor + Reading Value.





## 5 PHOTOGRAPHS OF THE TEST CONFIGURATION

Please refer to the attached file (Test Setup Photo).

## 6 INFORMATION ON THE TESTING LABORATORIES

We, Bureau Veritas Consumer Products Services (H.K.) Ltd., Taoyuan Branch, were founded in 1988 to provide our best service in EMC, Radio, Telecom and Safety consultation. Our laboratories are accredited and approved according to ISO/IEC 17025.

Copies of accreditation certificates of our laboratories obtained from approval agencies can be downloaded from our web site: [www.adt.com.tw/index.5.phtml](http://www.adt.com.tw/index.5.phtml).  
If you have any comments, please feel free to contact us at the following:

**Linko EMC/RF Lab:**

Tel: 886-2-26052180  
Fax: 886-2-26051924

**Hsin Chu EMC/RF Lab:**

Tel: 886-3-5935343  
Fax: 886-3-5935342

**Hwa Ya EMC/RF/Safety/Telecom Lab:**

Tel: 886-3-3183232  
Fax: 886-3-3185050

**Web Site:** [www.adt.com.tw](http://www.adt.com.tw)

The address and road map of all our labs can be found in our web site also.

## **7 APPENDIX A – MODIFICATIONS RECORDERS FOR ENGINEERING CHANGES TO THE EUT BY THE LAB**

No any modifications are made to the EUT by the lab during the test.

---END---