



FCC TEST REPORT (PART 22)

REPORT NO.: RF991223C13-3

MODEL NO.: F-09C

FCC ID: VQK-F09C

RECEIVED: Dec. 23, 2010

TESTED: Feb. 10 ~ Feb. 17, 2011

ISSUED: Feb. 23, 2011

APPLICANT: FUJITSU LIMITED

ADDRESS: 1-1, Kamikodanaka 4-chome, Nakahara-ku, Kawasaki
211-8588, Japan

ISSUED BY: Bureau Veritas Consumer Products Services (H.K.)
Ltd., Taoyuan Branch

LAB ADDRESS: No. 47, 14th Ling, Chia Pau Tsuen, Lin Kou Hsiang,
Taipei Hsien 244, Taiwan, R.O.C.

TEST LOCATION: No. 19, Hwa Ya 2nd Rd, Wen Hwa Tsuen, Kwei Shan
Hsiang, Taoyuan Hsien 333, Taiwan, R.O.C.

This test report consists of 49 pages in total. It may be duplicated completely for legal use with the approval of the applicant. It should not be reproduced except in full, without the written approval of our laboratory. The client should not use it to claim product certification, approval, or endorsement by TAF or any government agency. The test results in the report only apply to the tested sample.





TABLE OF CONTENTS

RELEASE CONTROL RECORD.....	4
1 CERTIFICATION.....	5
2 SUMMARY OF TEST RESULTS	6
2.1 MEASUREMENT UNCERTAINTY	6
3 GENERAL INFORMATION	7
3.1 GENERAL DESCRIPTION OF EUT	7
3.2 DESCRIPTION OF TEST MODES	8
3.2.1 CONFIGURATION OF SYSTEM UNDER TEST	8
3.2.2 TEST MODE APPLICABILITY AND TESTED CHANNEL DETAIL	9
3.3 GENERAL DESCRIPTION OF APPLIED STANDARDS.....	10
3.4 DESCRIPTION OF SUPPORT UNITS	11
4 TEST TYPES AND RESULTS.....	12
4.1 OUTPUT POWER MEASUREMENT	12
4.1.1 LIMITS OF OUTPUT POWER MEASUREMENT	12
4.1.2 TEST INSTRUMENTS	13
4.1.3 TEST PROCEDURES.....	14
4.1.4 TEST SETUP	15
4.1.5 EUT OPERATING CONDITIONS	15
4.1.6 TEST RESULTS.....	16
4.2 RADIATED EMISSION MEASUREMENT (BELOW 1GHz).....	19
4.2.1 LIMITS OF RADIATED EMISSION MEASUREMENT	19
4.2.2 TEST INSTRUMENTS	19
4.2.3 TEST PROCEDURES.....	20
4.2.4 DEVIATION FROM TEST STANDARD.....	20
4.2.5 TEST SETUP	21
4.2.6 EUT OPERATING CONDITIONS	21
4.2.7 TEST RESULTS.....	22
4.3 RADIATED EMISSION MEASUREMENT (ABOVE 1GHz).....	31
4.3.1 LIMITS OF RADIATED EMISSION MEASUREMENT	31
4.3.2 TEST INSTRUMENTS	31
4.3.3 TEST PROCEDURES.....	31
4.3.4 DEVIATION FROM TEST STANDARD.....	31
4.3.5 TEST SETUP	31
4.3.6 EUT OPERATING CONDITIONS	31
4.3.7 TEST RESULTS.....	32



A D T

4.4	CONDUCTED EMISSION MEASUREMENT.....	42
4.4.1	LIMITS OF CONDUCTED EMISSION MEASUREMENT	42
4.4.2	TEST INSTRUMENTS	42
4.4.3	TEST PROCEDURES.....	43
4.4.4	DEVIATION FROM TEST STANDARD	43
4.4.5	TEST SETUP	44
4.4.6	EUT OPERATING CONDITIONS	44
4.4.7	TEST RESULTS.....	45
5	PHOTOGRAPHS OF THE TEST CONFIGURATION	47
6	INFORMATION ON THE TESTING LABORATORIES	48
7	APPENDIX A – MODIFICATIONS RECORDERS FOR ENGINEERING CHANGES TO THE EUT BY THE LAB.....	49



A D T

RELEASE CONTROL RECORD

ISSUE NO.	REASON FOR CHANGE	DATE ISSUED
Original release	N/A	Feb. 23, 2011



A D T

1 CERTIFICATION

PRODUCT: Mobile phone
MODEL NO.: F-09C
BRAND: FOMA
APPLICANT: FUJITSU LIMITED
TESTED: Feb. 10 ~ Feb. 17, 2011
TEST SAMPLE: ENGINEERING SAMPLE
STANDARDS: **FCC Part 22, Subpart H**
ANSI C63.4-2003
TEST ITEM: **Maximum Peak Output Power (Section 2.1046**
22.913 (a))
Radiated Spurious Emissions (Section 2.1053
22.917)
AC Power Conducted Emission (Section 15.207)

The above equipment (model: F-09C) has been tested by **Bureau Veritas Consumer Products Services (H.K.) Ltd., Taoyuan Branch**. The test record, data evaluation & Equipment Under Test (EUT) configurations represented herein are true and accurate accounts of the measurements of the sample's EMC characteristics under the conditions specified in this report.

PREPARED BY :  , DATE: Feb. 23, 2011
Pettie Chen / Specialist

APPROVED BY :  , DATE: Feb. 23, 2011
Gary Chang / Assistant Manager



A D T

2 SUMMARY OF TEST RESULTS

The EUT has been tested according to the following specifications:

APPLIED STANDARD: FCC Part 22 & Part 2			
STANDARD SECTION	TEST TYPE AND LIMIT	RESULT	REMARK
2.1046 22.913 (a)	Maximum Peak Output Power Limit: max. 7 watts e.r.p peak power	PASS	Meet the requirement of limit. Minimum passing margin is 18.9dBm at 826.4MHz.
2.1053 22.917	Radiated Spurious Emissions	PASS	Meet the requirement of limit. Minimum passing margin is -13.0dB at 4958.4MHz.
15.207	AC Power Conducted Emission	PASS	Meet the requirement of limit. Minimum passing margin is -19.41dB at 0.189MHz.

2.1 MEASUREMENT UNCERTAINTY

Where relevant, the following measurement uncertainty levels have been estimated for tests performed on the EUT as specified in CISPR 16-4-2:

MEASUREMENT	FREQUENCY	UNCERTAINTY
Conducted emissions	150kHz~30MHz	2.44 dB
Radiated emissions	30MHz ~ 200MHz	3.19 dB
	200MHz ~1000MHz	3.21 dB
	1GHz ~ 18GHz	2.26 dB
	18GHz ~ 40GHz	1.94 dB

This uncertainty represents an expanded uncertainty expressed at approximately the 95% confidence level using a coverage factor of k=2.



3 GENERAL INFORMATION

3.1 GENERAL DESCRIPTION OF EUT

EUT	Mobile phone
MODEL NO.	F-09C
FCC ID	VQK-F09C
POWER SUPPLY	3.7Vdc (Li-ion battery) 5.4Vdc (Adapter)
MODULATION TYPE	WCDMA (Band 5) / HSDPA / HSUPA
OPERATING FREQUENCY	826.4MHz ~ 846.6MHz
NUMBER OF CHANNEL	102
ANTENNA TYPE	Integral antenna with -3.97487dBi gain (EUT open) Integral antenna with -2.53361dBi gain (EUT close)
DATA CABLE	NA
I/O PORTS	Refer to user's manual
ACCESSORY DEVICES	Battery

NOTE:

1. In this report, only included test items of output power, radiated spurious emissions and AC power conducted emissions per client's requests.
2. The EUT is a Mobile phone. The test data are separated into following test reports.

	TEST STANDARD	REFERENCE REPORT
WLAN	FCC Part 15, Subpart C	RF991223C13
Bluetooth	(Section 15.247)	RF991223C13-1
RFID	FCC Part 15, Subpart C (Section 15.225, 15.215)	RF991223C13-2
WCDMA 850	FCC Part 22	RF991223C13-3
PCS 1900	FCC Part 24	RF991223C13-4

3. The EUT uses the following Li-ion battery:

BRAND	Fujitsu Limited
MODEL	F18
RATING	3.7Vdc, 960mAh

4. The following accessories are for support units only.

PRODUCT	BRAND	DESCRIPTION
Adapter	SMK	I/P: 100-240Vac, 50-60Hz, 0.12A O/P: 5.4Vdc, 700mA
USB cable	NA	0.8m non-shielded cable without core
HDMI cable	NA	Sticker: No. 001 Manufacture: Molex Model name: 68786-0001 1.5m shielded cable without core
		Sticker: No.003 Manufacture: OLYMPUS Model name: CB-HD1 0.8m shielded cable without core

5. The following summary may be used to identify the samples referenced in the test summary and any declared hardware or software modifications. Where modifications have been made, conformance has been demonstrated by regression testing declared by the manufacturer.

IMEI	SOFTWARE REVISION	HARDWARE REVISION	DATE OF RECEIPT
355115040014935	R18.1	V2.2.0	2011/02/09

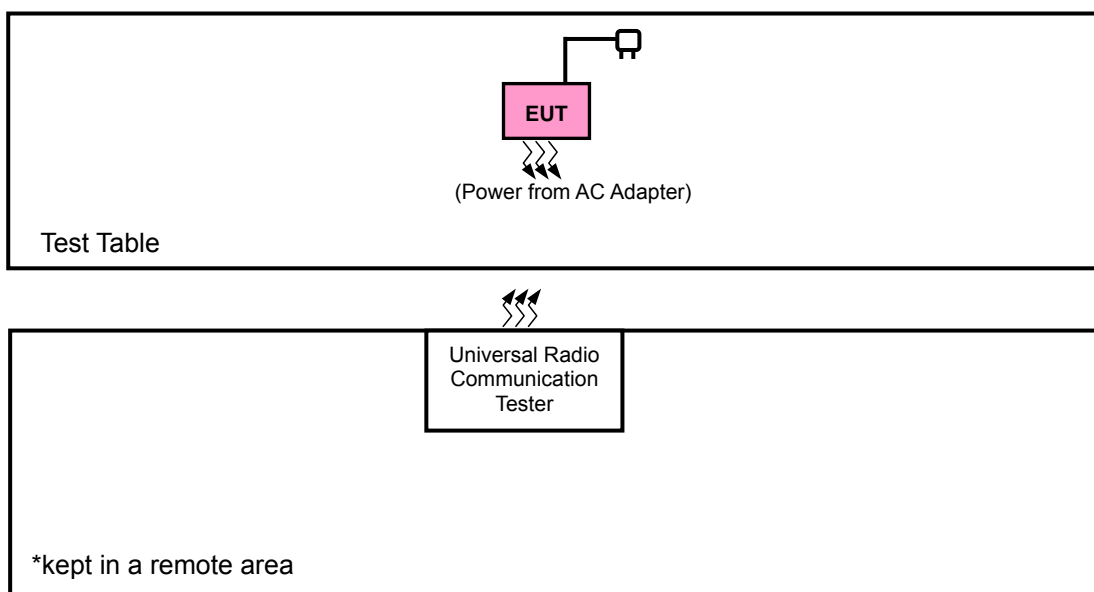
6. The above EUT information is declared by manufacturer and for more detailed features description, please refer to the manufacturer's specifications or User's Manual.

3.2 DESCRIPTION OF TEST MODES

102 channels are provided to this EUT. Therefore, the low, middle and high channels are chosen for testing.

	CHANNEL	FREQUENCY	TX MODE
LOW	4132	826.4 MHz	WCDMA / HSDPA / HSUPA
MIDDLE	4182	836.4 MHz	WCDMA / HSDPA / HSUPA
HIGH	4233	846.6 MHz	WCDMA / HSDPA / HSUPA

3.2.1 CONFIGURATION OF SYSTEM UNDER TEST





3.2.2 TEST MODE APPLICABILITY AND TESTED CHANNEL DETAIL

EUT CONFIGURE MODE	APPLICABLE TO				DESCRIPTION
	OP	RE<1G	RE≥1G	PLC	
-	√	√	√	√	-

Where **OP**: Output Power Measurement **RE<1G**: Radiated emission below 1GHz
RE≥1G: Radiated emission above 1GHz **PLC**: Power Line Conducted Emission

OUTPUT POWER MEASUREMENT:

- Pre-Scan has been conducted to determine the worst-case mode from all possible combinations between available modulations, data rates, XYZ axis and antenna ports (if EUT with antenna diversity architecture).
- Following channel(s) was (were) selected for the final test as listed below.

AVAILABLE CHANNEL	TESTED CHANNEL	MODULATION TECHNOLOGY	AXIS
4132 to 4233	4132, 4182, 4233	WCDMA	X, Y, Z
4132 to 4233	4132	HSDPA	X, Y, Z
4132 to 4233	4132	HSUPA	X, Y, Z

RADIATED EMISSION MEASUREMENT (BELOW 1 GHz):

- Pre-Scan has been conducted to determine the worst-case mode from all possible combinations between available modulations, XYZ axis and antenna ports (if EUT with antenna diversity architecture).
- Following channel(s) was (were) selected for the final test as listed below.

AVAILABLE CHANNEL	TESTED CHANNEL	MODULATION TECHNOLOGY	AXIS
4132 to 4233	4233	WCDMA	X, Y, Z
4132 to 4233	4132	HSDPA	X, Y, Z
4132 to 4233	4132	HSUPA	X, Y, Z



RADIATED EMISSION MEASUREMENT (ABOVE 1 GHz):

- Pre-Scan has been conducted to determine the worst-case mode from all possible combinations between available modulations, XYZ axis and antenna ports (if EUT with antenna diversity architecture).
- Following channel(s) was (were) selected for the final test as listed below.

AVAILABLE CHANNEL	TESTED CHANNEL	MODULATION TECHNOLOGY	AXIS
4132 to 4233	4132, 4182, 4233	WCDMA	X, Y, Z
4132 to 4233	4132	HSDPA	X, Y, Z
4132 to 4233	4132	HSUPA	X, Y, Z

POWER LINE CONDUCTED EMISSION TEST:

- Pre-Scan has been conducted to determine the worst-case mode from all possible combinations between available modulations, antenna ports (if EUT with antenna diversity architecture), and packet types.
- Following channel(s) was (were) selected for the final test as listed below.

AVAILABLE CHANNEL	TESTED CHANNEL	MODULATION TECHNOLOGY
4132 to 4233	4132	WCDMA

TEST CONDITION:

APPLICABLE TO	ENVIRONMENTAL CONDITIONS	INPUT POWER	TESTED BY
OP	25deg. C, 65%RH, 1010hPa	120Vac, 60Hz	Mark Liao
RE≥1G	25deg. C, 65%RH, 1010hPa	120Vac, 60Hz	Sun Lin
RE<1G	25deg. C, 65%RH, 1010hPa	120Vac, 60Hz	David Huang
PLC	25deg. C, 68%RH, 1005hPa	120Vac, 60Hz	Sun Lin

3.3 GENERAL DESCRIPTION OF APPLIED STANDARDS

The EUT is a RF product. According to the specifications of the manufacturer, it must comply with the requirements of the following standards:

FCC 47 CFR Part 2

FCC 47 CFR Part 22

ANSI C63.4-2003

ANSI/TIA/EIA-603-C 2004

NOTE: All test items have been performed and recorded as per the above standards.



A D T

3.4 DESCRIPTION OF SUPPORT UNITS

The EUT has been tested as an independent unit together with other necessary accessories or support units. The following support units or accessories were used to form a representative test configuration during the tests.

NO.	PRODUCT	BRAND	MODEL NO.	SERIAL NO.	FCC ID
1	2/3G Acoustic test (Audio conformance test-CMU 200)	R&S	CMU 200	118914	NA
2	ADAPTER	SMK	NA	NA	NA

NO.	SIGNAL CABLE DESCRIPTION OF THE ABOVE SUPPORT UNITS
1	NA
2	NA

NOTE:

1. All power cords of the above support units are non shielded (1.8m).
2. Item 2 was supplied from the client.

4 TEST TYPES AND RESULTS

4.1 OUTPUT POWER MEASUREMENT

4.1.1 LIMITS OF OUTPUT POWER MEASUREMENT

The radiated peak output power shall be according to the specific rule Part 22.913 (a) that "Mobile / Portable station are limited to 7 watts e.r.p".



4.1.2 TEST INSTRUMENTS

DESCRIPTION & MANUFACTURER	MODEL NO.	SERIAL NO.	DATE OF CALIBRATION	DUE DATE OF CALIBRATION
Test Receiver ROHDE & SCHWARZ	ESI7	838496/016	Dec. 27, 2010	Dec. 26, 2011
Spectrum Analyzer ROHDE & SCHWARZ	FSU43	100115	Aug. 02, 2010	Aug. 01, 2011
BILOG Antenna SCHWARZBECK	VULB9168	9168-155	Apr. 28, 2010	Apr. 27, 2011
HORN Antenna SCHWARZBECK	BBHA 9120D	9120D-408	Jan. 06, 2011	Jan. 05, 2012
HORN Antenna SCHWARZBECK	BBHA 9170	BBHA9170243	Dec. 27, 2010	Dec. 26, 2011
Preamplifier Agilent	8449B	3008A01961	Nov. 02, 2010	Nov. 01, 2011
Preamplifier Agilent	8447D	2944A10738	Nov. 02, 2010	Nov. 01, 2011
RF signal cable HUBER+SUHNNER	SUCOFLEX 104	274041/4	Aug. 21, 2010	Aug. 20, 2011
RF signal cable HUBER+SUHNNER	SUCOFLEX 104	283397/4	Aug. 21, 2010	Aug. 20, 2011
Software ADT.	ADT_Radiated_ V7.6.15.9.2	NA	NA	NA
Antenna Tower inn-co GmbH	MA 4000	010303	NA	NA
Antenna Tower Controller inn-co GmbH	CO2000	019303	NA	NA
Turn Table ADT.	TT100.	TT93021704	NA	NA
Turn Table Controller ADT.	SC100.	SC93021704	NA	NA

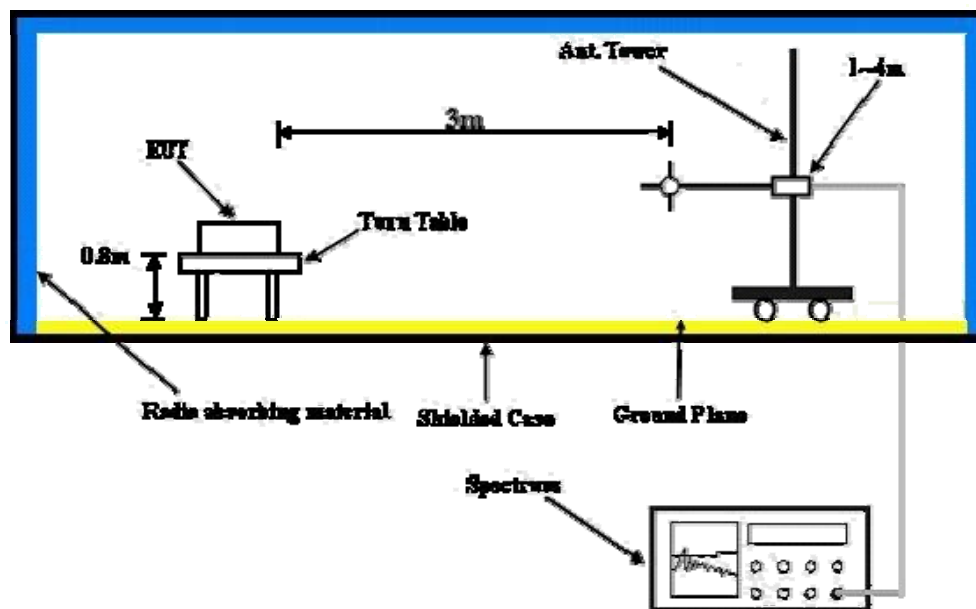
- NOTE:**
1. The calibration interval of the above test instruments is 12 months and the calibrations are traceable to NML/ROC and NIST/USA.
 2. The test was performed in HwaYa Chamber 4.
 3. The horn antenna and HP preamplifier (model: 8449B) are used only for the measurement of emission frequency above 1GHz if tested.
 4. The FCC Site Registration No. is 988962.
 5. The IC Site Registration No. is IC7450F-4.

4.1.3 TEST PROCEDURES

- a. The power was measured with R&S Spectrum Analyzer. All measurements were done at 3 channels, 4132, 4182 and 4233 (WCDMA) (low, middle and high operational frequency range.)
- b. The conducted peak output power used the power splitter via EUT RF power connector between simulation base station and spectrum analyzer. The path loss included the splitter loss, cable loss and 20dB pad loss. The spectrum set RB/VB 5MHz (WCDMA), then read peak power value and record to the test. (All transmitted path loss shall be considered in the test report data.)
- c. Substitution method is used for E.I.R.P measurement. In the semi-anechoic chamber, EUT placed on the 0.8m height of Turn Table, rotated the table around 360 degrees to search the maximum radiation power and receiver antenna shall be rotated vertical and horizontal polarization and moved height from 1m to 4m to find the maximum polar radiated power. The “Read Value” is the spectrum reading the maximum power value.
- d. The substitution horn antenna is substituted for EUT at the same position and signals generator export the CW signal to the substitution antenna via a tx cable. Rotated the Turn Table and moved receiving antenna to find the maximum radiation power. Adjust output power level of S.G to get a Value of spectrum reading equal to “Read Value” of step c. Record the power level of S.G
- e. $EIRP = \text{Output power level of S.G} - \text{TX cable loss} + \text{Antenna gain of substitution horn.}$
- f. E.R.P power can be calculated form E.I.R.P power by subtracting the gain of dipole,
 $E.R.P \text{ power} = E.I.P.R \text{ power} - 2.15\text{dBi.}$

4.1.4 TEST SETUP

EIRP POWER MEASUREMENT:



For the actual test configuration, please refer to the attached file (Test Setup Photo).

4.1.5 EUT OPERATING CONDITIONS

- a. The EUT makes a phone call to the communication simulator.
- b. The communication simulator station system controlled an EUT to export maximum output power under transmission mode and specific channel frequency.



4.1.6 TEST RESULTS

FOR WCDMA

X-AXIS

ERP					
CHANNEL NO.	FREQUENCY (MHz)	S.G VALUE (dBm)	CORRECTION FACTOR (dB)	OUTPUT POWER	
				dBm	mW
4132	826.4	27.5	-8.6	18.9	76.7
4182	836.4	26.4	-8.6	17.8	59.6
4233	846.6	25.8	-8.7	17.1	50.7

Y-AXIS

ERP					
CHANNEL NO.	FREQUENCY (MHz)	S.G VALUE (dBm)	CORRECTION FACTOR (dB)	OUTPUT POWER	
				dBm	mW
4132	826.4	27.2	-8.6	18.6	71.6
4182	836.4	26.3	-8.6	17.7	58.2
4233	846.6	25.6	-8.7	16.9	48.4

Z-AXIS

ERP					
CHANNEL NO.	FREQUENCY (MHz)	S.G VALUE (dBm)	CORRECTION FACTOR (dB)	OUTPUT POWER	
				dBm	mW
4132	826.4	27.3	-8.6	18.7	73.3
4182	836.4	26.9	-8.6	18.3	66.8
4233	846.6	26.6	-8.7	17.9	61.0

- REMARKS:** 1. Peak Output Power (dBm) = S.G Value (dBm) + Correction Factor (dB).
2. Correction Factor (dB) = Substitution Antenna Gain (dBi) + Cable Loss (dB)



A D T

FOR HSDPA

X-AXIS

ERP					
CHANNEL NO.	FREQUENCY (MHz)	S.G VALUE (dBm)	CORRECTION FACTOR (dB)	OUTPUT POWER	
				dBm	mW
4132	826.4	27.1	-8.6	18.5	70.0

Y-AXIS

ERP					
CHANNEL NO.	FREQUENCY (MHz)	S.G VALUE (dBm)	CORRECTION FACTOR (dB)	OUTPUT POWER	
				dBm	mW
4132	826.4	26.7	-8.6	18.1	63.8

Z-AXIS

ERP					
CHANNEL NO.	FREQUENCY (MHz)	S.G VALUE (dBm)	CORRECTION FACTOR (dB)	OUTPUT POWER	
				dBm	mW
4132	826.4	26.9	-8.6	18.3	66.8

- REMARKS:** 1. Peak Output Power (dBm) = S.G Value (dBm) + Correction Factor (dB).
2. Correction Factor (dB) = Substitution Antenna Gain (dBi) + Cable Loss (dB)



A D T

FOR HSUPA

X-AXIS

ERP					
CHANNEL NO.	FREQUENCY (MHz)	S.G VALUE (dBm)	CORRECTION FACTOR (dB)	OUTPUT POWER	
				dBm	mW
4132	826.4	26.6	-8.6	18.0	62.4

Y-AXIS

ERP					
CHANNEL NO.	FREQUENCY (MHz)	S.G VALUE (dBm)	CORRECTION FACTOR (dB)	OUTPUT POWER	
				dBm	mW
4132	826.4	26.3	-8.6	17.7	58.2

Z-AXIS

ERP					
CHANNEL NO.	FREQUENCY (MHz)	S.G VALUE (dBm)	CORRECTION FACTOR (dB)	OUTPUT POWER	
				dBm	mW
4132	826.4	26.5	-8.6	17.9	61.0

- REMARKS:** 1. Peak Output Power (dBm) = S.G Value (dBm) + Correction Factor (dB).
2. Correction Factor (dB) = Substitution Antenna Gain (dBi) + Cable Loss (dB)



A D T

4.2 RADIATED EMISSION MEASUREMENT (BELOW 1GHz)

4.2.1 LIMITS OF RADIATED EMISSION MEASUREMENT

In the FCC 24.238(a), On any frequency outside a licensee's frequency block within USPCS spectrum, the power of any emission shall be attenuated below the transmitter power (P) by at least $43 + 10 \log (P)$ dB. The specified minimum attenuation becomes 43dB and the limit of emission equal to -13dBm .

4.2.2 TEST INSTRUMENTS

Same as 4.1.2.



4.2.3 TEST PROCEDURES

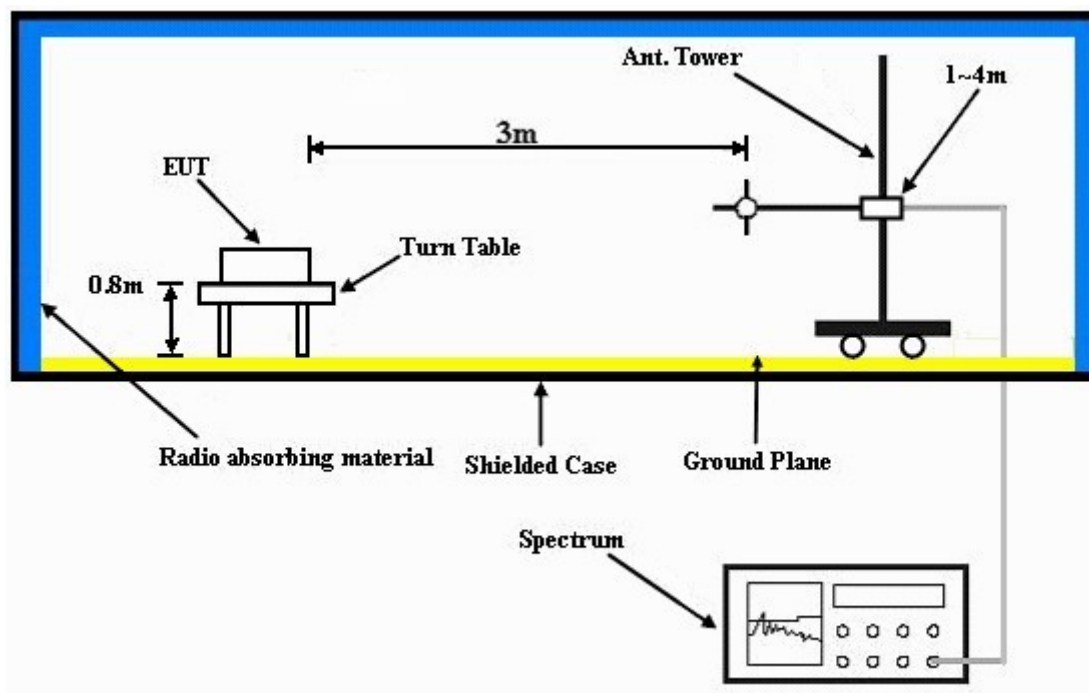
- a. Substitution method is used for E.I.R.P measurement. In the semi-anechoic chamber, EUT placed on the 0.8m height of Turn Table, rotated the table around 360 degrees to search the maximum radiation power and receiver antenna shall be rotated vertical and horizontal polarization and moved height from 1m to 4m to find the maximum polar radiated power. The “Read Value” is the spectrum reading the maximum power value.
- b. The substitution horn antenna is substituted for EUT at the same position and signals generator export the CW signal to the substitution antenna via a TX cable. Rotated the Turn Table and moved receiving antenna to find the maximum radiation power. Adjust output power level of S.G to get a Value of spectrum reading equal to “Read Value” of step a. Record the power level of S.G
- c. $EIRP = \text{Output power level of S.G} - \text{TX cable loss} + \text{Antenna gain of substitution horn.}$
- d. E.R.P power can be calculated form E.I.R.P power by subtracting the gain of dipole, $E.R.P \text{ power} = E.I.P.R \text{ power} - 2.15\text{dBi.}$

NOTE: The resolution bandwidth and video bandwidth of test receiver/spectrum analyzer is 1MHz/3MHz.

4.2.4 DEVIATION FROM TEST STANDARD

No deviation

4.2.5 TEST SETUP



For the actual test configuration, please refer to the attached file (Test Setup Photo).

4.2.6 EUT OPERATING CONDITIONS

- a. The EUT makes a phone call to the communication simulator.
- b. The communication simulator station system controlled an EUT to export maximum output power under transmission mode and specific channel frequency.



A D T

4.2.7 TEST RESULTS

FOR WCDMA

X-AXIS

MODE		TX channel 4233				
ANTENNA POLARITY & TEST DISTANCE: HORIZONTAL AT 3 M						
No.	Freq. (MHz)	Emission Level (dBuV)	Limit (dBm)	S.G Power Value (dBm)	Correction Factor (dB)	Power Value (dBm)
1	66.93	26.5	-13.0	-60.4	-7.7	-68.1
2	158.30	21.7	-13.0	-64.9	-7.7	-72.6
3	399.34	24.1	-13.0	-62.2	-7.8	-70.0
4	589.84	28.7	-13.0	-57.8	-7.8	-65.6
5	760.90	31.8	-13.0	-54.9	-7.9	-62.8
6	836.71	43.2	-13.0	-43.1	-7.9	-51.0
ANTENNA POLARITY & TEST DISTANCE: VERTICAL AT 3 M						
No.	Freq. (MHz)	Emission Level (dBuV)	Limit (dBm)	S.G Power Value (dBm)	Correction Factor (dB)	Power Value (dBm)
1	31.94	34.3	-13.0	-52.3	-7.7	-60.0
2	66.93	34.5	-13.0	-52.5	-7.7	-60.2
3	98.04	27.7	-13.0	-59.1	-7.7	-66.8
4	267.15	19.6	-13.0	-67.5	-7.7	-75.2
5	457.66	25.7	-13.0	-61.2	-7.8	-69.0
6	836.71	45.0	-13.0	-41.7	-7.9	-49.6

NOTE: Power Value (dBum) = S.G Power Value (dBm) + Correction Factor (dB).



Y-AXIS

MODE		TX channel 4233				
ANTENNA POLARITY & TEST DISTANCE: HORIZONTAL AT 3 M						
No.	Freq. (MHz)	Emission Level (dBuV)	Limit (dBm)	S.G Power Value (dBm)	Correction Factor (dB)	Power Value (dBm)
1	68.88	27.4	-13.0	-59.5	-7.7	-67.2
2	98.04	24.2	-13.0	-62.7	-7.7	-70.4
3	267.15	19.6	-13.0	-67.0	-7.7	-74.7
4	459.60	25.7	-13.0	-61.2	-7.8	-69.0
5	622.89	29.3	-13.0	-57.6	-7.8	-65.4
6	790.06	32.6	-13.0	-53.8	-7.9	-61.7
ANTENNA POLARITY & TEST DISTANCE: VERTICAL AT 3 M						
No.	Freq. (MHz)	Emission Level (dBuV)	Limit (dBm)	S.G Power Value (dBm)	Correction Factor (dB)	Power Value (dBm)
1	33.89	34.2	-13.0	-52.8	-7.7	-60.5
2	66.93	33.6	-13.0	-52.9	-7.7	-60.6
3	98.04	29.5	-13.0	-57.5	-7.7	-65.2
4	471.26	25.6	-13.0	-61.3	-7.8	-69.1
5	622.89	29.3	-13.0	-57.5	-7.8	-65.3
6	836.71	44.3	-13.0	-42.4	-7.9	-50.3

NOTE: Power Value (dBum) = S.G Power Value (dBm) + Correction Factor (dB).



A D T

Z-AXIS

MODE		TX channel 4233				
ANTENNA POLARITY & TEST DISTANCE: HORIZONTAL AT 3 M						
No.	Freq. (MHz)	Emission Level (dBuV)	Limit (dBm)	S.G Power Value (dBm)	Correction Factor (dB)	Power Value (dBm)
1	66.93	26.0	-13.0	-61.0	-7.7	-68.7
2	181.62	20.1	-13.0	-66.8	-7.7	-74.5
3	387.68	23.4	-13.0	-63.6	-7.8	-71.4
4	595.67	28.8	-13.0	-58.1	-7.8	-65.9
5	836.71	44.8	-13.0	-42.2	-7.9	-50.1
6	949.46	34.4	-13.0	-52.3	-7.9	-60.2
ANTENNA POLARITY & TEST DISTANCE: VERTICAL AT 3 M						
No.	Freq. (MHz)	Emission Level (dBuV)	Limit (dBm)	S.G Power Value (dBm)	Correction Factor (dB)	Power Value (dBm)
1	33.89	34.2	-13.0	-52.9	-7.7	-60.6
2	66.93	34.8	-13.0	-51.7	-7.7	-59.4
3	98.04	28.2	-13.0	-58.7	-7.7	-66.4
4	426.55	32.5	-13.0	-54.3	-7.8	-62.1
5	622.89	29.3	-13.0	-57.2	-7.8	-65.0
6	838.66	47.1	-13.0	-39.1	-7.9	-47.0

NOTE: Power Value (dBum) = S.G Power Value (dBm) + Correction Factor (dB).



A D T

FOR HSDPA

X-AXIS

MODE		TX channel 4132				
ANTENNA POLARITY & TEST DISTANCE: HORIZONTAL AT 3 M						
No.	Freq. (MHz)	Emission Level (dBuV)	Limit (dBm)	S.G Power Value (dBm)	Correction Factor (dB)	Power Value (dBm)
1	66.73	26.8	-13.0	-60.1	-7.7	-67.8
2	158.01	21.9	-13.0	-64.4	-7.7	-72.1
3	399.64	24.6	-13.0	-61.5	-7.8	-69.3
4	590.11	29.2	-13.0	-57.5	-7.8	-65.3
5	760.61	32.3	-13.0	-54.7	-7.9	-62.6
6	836.93	43.7	-13.0	-43.0	-7.9	-50.9
ANTENNA POLARITY & TEST DISTANCE: VERTICAL AT 3 M						
No.	Freq. (MHz)	Emission Level (dBuV)	Limit (dBm)	S.G Power Value (dBm)	Correction Factor (dB)	Power Value (dBm)
1	31.81	34.6	-13.0	-52.1	-7.7	-59.8
2	67.05	34.9	-13.0	-51.4	-7.7	-59.1
3	98.12	27.9	-13.0	-58.5	-7.7	-66.2
4	267.02	19.9	-13.0	-67.3	-7.7	-75.0
5	457.85	26.1	-13.0	-60.4	-7.8	-68.2
6	836.93	45.4	-13.0	-41.6	-7.9	-49.5

NOTE: Power Value (dBum) = S.G Power Value (dBm) + Correction Factor (dB).



A D T

Y-AXIS

MODE		TX channel 4132				
ANTENNA POLARITY & TEST DISTANCE: HORIZONTAL AT 3 M						
No.	Freq. (MHz)	Emission Level (dBuV)	Limit (dBm)	S.G Power Value (dBm)	Correction Factor (dB)	Power Value (dBm)
1	68.53	27.8	-13.0	-59.0	-7.7	-66.7
2	98.56	24.8	-13.0	-62.3	-7.7	-70.0
3	267.45	19.9	-13.0	-66.7	-7.7	-74.4
4	459.42	26.1	-13.0	-60.0	-7.8	-67.8
5	622.77	29.8	-13.0	-56.9	-7.8	-64.7
6	790.11	32.9	-13.0	-53.7	-7.9	-61.6
ANTENNA POLARITY & TEST DISTANCE: VERTICAL AT 3 M						
No.	Freq. (MHz)	Emission Level (dBuV)	Limit (dBm)	S.G Power Value (dBm)	Correction Factor (dB)	Power Value (dBm)
1	33.96	34.6	-13.0	-52.0	-7.7	-59.7
2	66.75	33.9	-13.0	-53.0	-7.7	-60.7
3	98.55	29.1	-13.0	-57.9	-7.7	-65.6
4	471.36	25.9	-13.0	-60.7	-7.8	-68.5
5	622.51	29.8	-13.0	-56.9	-7.8	-64.7
6	836.50	44.6	-13.0	-42.2	-7.9	-50.1

NOTE: Power Value (dBum) = S.G Power Value (dBm) + Correction Factor (dB).



Z-AXIS

MODE		TX channel 4132				
ANTENNA POLARITY & TEST DISTANCE: HORIZONTAL AT 3 M						
No.	Freq. (MHz)	Emission Level (dBuV)	Limit (dBm)	S.G Power Value (dBm)	Correction Factor (dB)	Power Value (dBm)
1	66.82	26.6	-13.0	-60.6	-7.7	-68.3
2	181.53	20.7	-13.0	-66.0	-7.7	-73.7
3	387.86	23.9	-13.0	-62.5	-7.8	-70.3
4	595.84	28.7	-13.0	-57.8	-7.8	-65.6
5	836.93	45.1	-13.0	-41.7	-7.9	-49.6
6	949.63	34.8	-13.0	-51.5	-7.9	-59.4
ANTENNA POLARITY & TEST DISTANCE: VERTICAL AT 3 M						
No.	Freq. (MHz)	Emission Level (dBuV)	Limit (dBm)	S.G Power Value (dBm)	Correction Factor (dB)	Power Value (dBm)
1	33.65	34.6	-13.0	-52.3	-7.7	-60.0
2	66.75	35.1	-13.0	-51.6	-7.7	-59.3
3	98.24	28.9	-13.0	-57.2	-7.7	-64.9
4	426.41	32.9	-13.0	-54.0	-7.8	-61.8
5	622.45	29.6	-13.0	-57.0	-7.8	-64.8
6	838.66	47.6	-13.0	-39.2	-7.9	-47.1

NOTE: Power Value (dBum) = S.G Power Value (dBm) + Correction Factor (dB).



A D T

FOR HSUPA

X-AXIS

MODE		TX channel 4132				
ANTENNA POLARITY & TEST DISTANCE: HORIZONTAL AT 3 M						
No.	Freq. (MHz)	Emission Level (dBuV)	Limit (dBm)	S.G Power Value (dBm)	Correction Factor (dB)	Power Value (dBm)
1	66.71	26.9	-13.0	-60.2	-7.7	-67.9
2	158.45	21.1	-13.0	-65.8	-7.7	-73.5
3	399.55	24.6	-13.0	-62.3	-7.8	-70.1
4	589.73	28.9	-13.0	-58.0	-7.8	-65.8
5	761.20	32.2	-13.0	-53.9	-7.9	-61.8
6	836.93	43.6	-13.0	-42.9	-7.9	-50.8
ANTENNA POLARITY & TEST DISTANCE: VERTICAL AT 3 M						
No.	Freq. (MHz)	Emission Level (dBuV)	Limit (dBm)	S.G Power Value (dBm)	Correction Factor (dB)	Power Value (dBm)
1	32.12	34.6	-13.0	-52.4	-7.7	-60.1
2	66.73	34.8	-13.0	-51.9	-7.7	-59.6
3	98.43	28.1	-13.0	-58.5	-7.7	-66.2
4	267.36	19.9	-13.0	-67.2	-7.7	-74.9
5	457.83	26.1	-13.0	-60.3	-7.8	-68.1
6	836.83	45.3	-13.0	-41.6	-7.9	-49.5

NOTE: Power Value (dBum) = S.G Power Value (dBm) + Correction Factor (dB).



Y-AXIS

MODE		TX channel 4132				
ANTENNA POLARITY & TEST DISTANCE: HORIZONTAL AT 3 M						
No.	Freq. (MHz)	Emission Level (dBuV)	Limit (dBm)	S.G Power Value (dBm)	Correction Factor (dB)	Power Value (dBm)
1	68.96	27.6	-13.0	-59.1	-7.7	-66.8
2	98.42	24.5	-13.0	-62.5	-7.7	-70.2
3	267.29	20.0	-13.0	-67.0	-7.7	-74.7
4	459.94	26.0	-13.0	-60.4	-7.8	-68.2
5	622.62	29.7	-13.0	-57.0	-7.8	-64.8
6	790.21	32.3	-13.0	-54.6	-7.9	-62.5
ANTENNA POLARITY & TEST DISTANCE: VERTICAL AT 3 M						
No.	Freq. (MHz)	Emission Level (dBuV)	Limit (dBm)	S.G Power Value (dBm)	Correction Factor (dB)	Power Value (dBm)
1	33.95	34.5	-13.0	-51.7	-7.7	-59.4
2	67.20	33.9	-13.0	-53.1	-7.7	-60.8
3	98.10	29.8	-13.0	-57.3	-7.7	-65.0
4	471.48	25.9	-13.0	-60.8	-7.8	-68.6
5	622.72	29.5	-13.0	-57.0	-7.8	-64.8
6	836.99	44.7	-13.0	-41.8	-7.9	-49.7

NOTE: Power Value (dBum) = S.G Power Value (dBm) + Correction Factor (dB).



Z-AXIS

MODE		TX channel 4132				
ANTENNA POLARITY & TEST DISTANCE: HORIZONTAL AT 3 M						
No.	Freq. (MHz)	Emission Level (dBuV)	Limit (dBm)	S.G Power Value (dBm)	Correction Factor (dB)	Power Value (dBm)
1	67.10	26.2	-13.0	-60.2	-7.7	-67.9
2	181.73	20.4	-13.0	-66.3	-7.7	-74.0
3	387.41	23.8	-13.0	-62.3	-7.8	-70.1
4	595.42	29.2	-13.0	-57.4	-7.8	-65.2
5	836.83	45.1	-13.0	-41.2	-7.9	-49.1
6	949.55	34.6	-13.0	-52.2	-7.9	-60.1
ANTENNA POLARITY & TEST DISTANCE: VERTICAL AT 3 M						
No.	Freq. (MHz)	Emission Level (dBuV)	Limit (dBm)	S.G Power Value (dBm)	Correction Factor (dB)	Power Value (dBm)
1	33.73	34.4	-13.0	-52.2	-7.7	-59.9
2	66.73	34.4	-13.0	-52.4	-7.7	-60.1
3	98.13	28.5	-13.0	-58.6	-7.7	-66.3
4	426.21	32.1	-13.0	-54.8	-7.8	-62.6
5	622.54	29.7	-13.0	-57.3	-7.8	-65.1
6	838.12	47.3	-13.0	-39.5	-7.9	-47.4

NOTE: Power Value (dBum) = S.G Power Value (dBm) + Correction Factor (dB).

4.3 RADIATED EMISSION MEASUREMENT (ABOVE 1GHz)

4.3.1 LIMITS OF RADIATED EMISSION MEASUREMENT

Same as 4.2.1.

4.3.2 TEST INSTRUMENTS

Same as 4.2.2.

4.3.3 TEST PROCEDURES

Same as 4.2.3.

4.3.4 DEVIATION FROM TEST STANDARD

No deviation

4.3.5 TEST SETUP

Same as 4.2.5.

4.3.6 EUT OPERATING CONDITIONS

Same as 4.2.6.



A D T

4.3.7 TEST RESULTS

FOR WCDMA

X-AXIS

MODE		TX channel 4132				
ANTENNA POLARITY & TEST DISTANCE: HORIZONTAL AT 3 M						
No.	Freq. (MHz)	Emission Level (dBuV)	Limit (dBm)	S.G Power Value (dBm)	Correction Factor (dB)	Power Value (dBm)
1	1652.80	52.0	-13.0	-49.7	7.6	-42.1
2	2479.20	55.8	-13.0	-46.8	8.4	-38.4
3	3305.60	54.9	-13.0	-49.2	9.9	-39.3
4	4132.00	53.8	-13.0	-50.1	9.7	-40.4
5	4958.40	60.7	-13.0	-42.8	9.5	-33.3
ANTENNA POLARITY & TEST DISTANCE: VERTICAL AT 3 M						
No.	Freq. (MHz)	Emission Level (dBuV)	Limit (dBm)	S.G Power Value (dBm)	Correction Factor (dB)	Power Value (dBm)
1	1652.80	55.9	-13.0	-46.4	7.6	-38.8
2	2479.20	49.0	-13.0	-54.3	8.4	-45.9
3	3305.60	54.5	-13.0	-49.3	9.9	-39.4
4	4132.00	56.1	-13.0	-47.7	9.7	-38.0
5	4958.40	62.8	-13.0	-41.2	9.5	-31.7
MODE		TX channel 4182				
ANTENNA POLARITY & TEST DISTANCE: HORIZONTAL AT 3 M						
No.	Freq. (MHz)	Emission Level (dBuV)	Limit (dBm)	S.G Power Value (dBm)	Correction Factor (dB)	Power Value (dBm)
1	1672.80	52.5	-13.0	-49.8	7.7	-42.1
2	2509.20	54.7	-13.0	-48.2	8.4	-39.8
3	3345.60	55.2	-13.0	-49.1	9.9	-39.2
4	4182.00	52.8	-13.0	-51.7	9.7	-42.0
5	5018.40	60.5	-13.0	-43.0	9.5	-33.5
ANTENNA POLARITY & TEST DISTANCE: VERTICAL AT 3 M						
No.	Freq. (MHz)	Emission Level (dBuV)	Limit (dBm)	S.G Power Value (dBm)	Correction Factor (dB)	Power Value (dBm)
1	1672.80	55.2	-13.0	-46.8	7.7	-39.1
2	2509.20	49.3	-13.0	-53.2	8.4	-44.8
3	3345.60	55.8	-13.0	-48.2	9.9	-38.3
4	4182.00	56.8	-13.0	-47.1	9.7	-37.4
5	5018.40	61.8	-13.0	-42.5	9.5	-33.0

NOTE: Power Value (dBum) = S.G Power Value (dBm) + Correction Factor (dB).



A D T

X-AXIS

MODE		TX channel 4233				
ANTENNA POLARITY & TEST DISTANCE: HORIZONTAL AT 3 M						
No.	Freq. (MHz)	Emission Level (dBuV)	Limit (dBm)	S.G Power Value (dBm)	Correction Factor (dB)	Power Value (dBm)
1	1693.20	52.6	-13.0	-50.1	7.9	-42.2
2	2539.80	55.0	-13.0	-47.9	8.5	-39.4
3	3386.40	54.5	-13.0	-50.1	9.9	-40.2
4	4233.00	56.5	-13.0	-47.8	9.7	-38.1
5	5079.60	58.7	-13.0	-45.2	9.6	-35.6
ANTENNA POLARITY & TEST DISTANCE: VERTICAL AT 3 M						
No.	Freq. (MHz)	Emission Level (dBuV)	Limit (dBm)	S.G Power Value (dBm)	Correction Factor (dB)	Power Value (dBm)
1	1693.20	55.7	-13.0	-46.5	7.9	-38.6
2	2539.80	49.1	-13.0	-53.4	8.5	-44.9
3	3386.40	55.9	-13.0	-48.7	9.9	-38.8
4	4233.00	58.9	-13.0	-44.9	9.7	-35.2
5	5079.60	60.9	-13.0	-43.4	9.6	-33.8

NOTE: Power Value (dBum) = S.G Power Value (dBm) + Correction Factor (dB).



Y-AXIS

MODE		TX channel 4132				
ANTENNA POLARITY & TEST DISTANCE: HORIZONTAL AT 3 M						
No.	Freq. (MHz)	Emission Level (dBuV)	Limit (dBm)	S.G Power Value (dBm)	Correction Factor (dB)	Power Value (dBm)
1	1652.80	58.0	-13.0	-44.5	7.6	-36.9
2	2479.20	57.6	-13.0	-45.5	8.4	-37.1
3	3305.60	54.7	-13.0	-49.3	9.9	-39.4
4	4132.00	55.1	-13.0	-48.6	9.7	-38.9
5	4958.40	67.6	-13.0	-36.5	9.5	-27.0
ANTENNA POLARITY & TEST DISTANCE: VERTICAL AT 3 M						
No.	Freq. (MHz)	Emission Level (dBuV)	Limit (dBm)	S.G Power Value (dBm)	Correction Factor (dB)	Power Value (dBm)
1	1652.80	57.3	-13.0	-45.1	7.6	-37.5
2	2479.20	56.8	-13.0	-46.4	8.4	-38.0
3	3305.60	53.4	-13.0	-51.2	9.9	-41.3
4	4132.00	54.8	-13.0	-49.8	9.7	-40.1
5	4958.40	65.1	-13.0	-38.8	9.5	-29.3
MODE		TX channel 4182				
ANTENNA POLARITY & TEST DISTANCE: HORIZONTAL AT 3 M						
No.	Freq. (MHz)	Emission Level (dBuV)	Limit (dBm)	S.G Power Value (dBm)	Correction Factor (dB)	Power Value (dBm)
1	1672.80	57.4	-13.0	-45.1	7.7	-37.4
2	2509.20	56.3	-13.0	-46.2	8.4	-37.8
3	3345.60	56.2	-13.0	-48.4	9.9	-38.5
4	4182.00	62.0	-13.0	-42.0	9.7	-32.3
5	5018.40	64.2	-13.0	-40.1	9.5	-30.6
ANTENNA POLARITY & TEST DISTANCE: VERTICAL AT 3 M						
No.	Freq. (MHz)	Emission Level (dBuV)	Limit (dBm)	S.G Power Value (dBm)	Correction Factor (dB)	Power Value (dBm)
1	1672.80	52.0	-13.0	-49.9	7.7	-42.2
2	2509.20	50.4	-13.0	-52.3	8.4	-43.9
3	3345.60	56.6	-13.0	-47.3	9.9	-37.4
4	4182.00	56.5	-13.0	-47.9	9.7	-38.2
5	5018.40	58.7	-13.0	-44.8	9.5	-35.3

NOTE: Power Value (dBum) = S.G Power Value (dBm) + Correction Factor (dB).



A D T

Y-AXIS

MODE		TX channel 4233				
ANTENNA POLARITY & TEST DISTANCE: HORIZONTAL AT 3 M						
No.	Freq. (MHz)	Emission Level (dBuV)	Limit (dBm)	S.G Power Value (dBm)	Correction Factor (dB)	Power Value (dBm)
1	1693.20	58.0	-13.0	-44.7	7.9	-36.8
2	2539.80	53.4	-13.0	-49.9	8.5	-41.4
3	3386.40	56.8	-13.0	-47.6	9.9	-37.7
4	4233.00	62.0	-13.0	-42.1	9.7	-32.4
5	5079.60	63.6	-13.0	-40.3	9.5	-30.8
ANTENNA POLARITY & TEST DISTANCE: VERTICAL AT 3 M						
No.	Freq. (MHz)	Emission Level (dBuV)	Limit (dBm)	S.G Power Value (dBm)	Correction Factor (dB)	Power Value (dBm)
1	1693.20	53.4	-13.0	-48.7	7.9	-40.8
2	2539.80	47.2	-13.0	-56.1	8.5	-47.6
3	3386.40	57.5	-13.0	-46.8	9.9	-36.9
4	4233.00	57.7	-13.0	-46.0	9.7	-36.3
5	5079.60	61.0	-13.0	-43.0	9.5	-33.5

NOTE: Power Value (dBum) = S.G Power Value (dBm) + Correction Factor (dB).



Z-AXIS

MODE		TX channel 4132				
ANTENNA POLARITY & TEST DISTANCE: HORIZONTAL AT 3 M						
No.	Freq. (MHz)	Emission Level (dBuV)	Limit (dBm)	S.G Power Value (dBm)	Correction Factor (dB)	Power Value (dBm)
1	1652.80	50.4	-13.0	-51.3	7.6	-43.7
2	2479.20	46.3	-13.0	-56.7	8.4	-48.3
3	3305.60	59.4	-13.0	-45.2	9.9	-35.3
4	4132.00	54.8	-13.0	-49.5	9.7	-39.8
5	4958.40	64.8	-13.0	-39.1	9.5	-29.6
ANTENNA POLARITY & TEST DISTANCE: VERTICAL AT 3 M						
No.	Freq. (MHz)	Emission Level (dBuV)	Limit (dBm)	S.G Power Value (dBm)	Correction Factor (dB)	Power Value (dBm)
1	1652.80	59.0	-13.0	-42.9	7.6	-35.3
2	2479.20	49.0	-13.0	-54.1	8.4	-45.7
3	3305.60	57.5	-13.0	-47.1	9.9	-37.2
4	4132.00	53.8	-13.0	-50.1	9.7	-40.4
5	4958.40	60.8	-13.0	-43.2	9.5	-33.7
MODE		TX channel 4182				
ANTENNA POLARITY & TEST DISTANCE: HORIZONTAL AT 3 M						
No.	Freq. (MHz)	Emission Level (dBuV)	Limit (dBm)	S.G Power Value (dBm)	Correction Factor (dB)	Power Value (dBm)
1	1672.80	50.2	-13.0	-52.4	7.7	-44.7
2	2509.20	49.3	-13.0	-54.0	8.4	-45.6
3	3345.60	58.7	-13.0	-45.5	9.9	-35.6
4	4182.00	55.8	-13.0	-48.7	9.7	-39.0
5	5018.40	66.4	-13.0	-37.5	9.5	-28.0
ANTENNA POLARITY & TEST DISTANCE: VERTICAL AT 3 M						
No.	Freq. (MHz)	Emission Level (dBuV)	Limit (dBm)	S.G Power Value (dBm)	Correction Factor (dB)	Power Value (dBm)
1	1672.80	59.1	-13.0	-43.1	7.7	-35.4
2	2509.20	45.7	-13.0	-57.6	8.4	-49.2
3	3345.60	55.8	-13.0	-48.2	9.9	-38.3
4	4182.00	55.7	-13.0	-48.6	9.7	-38.9
5	5018.40	60.7	-13.0	-42.9	9.5	-33.4

NOTE: Power Value (dBum) = S.G Power Value (dBm) + Correction Factor (dB).



A D T

Z-AXIS

MODE		TX channel 4233				
ANTENNA POLARITY & TEST DISTANCE: HORIZONTAL AT 3 M						
No.	Freq. (MHz)	Emission Level (dBuV)	Limit (dBm)	S.G Power Value (dBm)	Correction Factor (dB)	Power Value (dBm)
1	1693.20	48.6	-13.0	-54.2	7.9	-46.3
2	2539.80	46.8	-13.0	-56.6	8.5	-48.1
3	3386.40	57.5	-13.0	-47.1	9.9	-37.2
4	4233.00	56.4	-13.0	-47.4	9.7	-37.7
5	5079.60	66.1	-13.0	-37.9	9.6	-28.3
ANTENNA POLARITY & TEST DISTANCE: VERTICAL AT 3 M						
No.	Freq. (MHz)	Emission Level (dBuV)	Limit (dBm)	S.G Power Value (dBm)	Correction Factor (dB)	Power Value (dBm)
1	1693.20	59.4	-13.0	-43.3	7.9	-35.4
2	2539.80	48.6	-13.0	-54.8	8.5	-46.3
3	3386.40	57.9	-13.0	-46.4	9.9	-36.5
4	4233.00	57.0	-13.0	-47.6	9.7	-37.9
5	5079.60	63.9	-13.0	-40.4	9.6	-30.8

NOTE: Power Value (dBum) = S.G Power Value (dBm) + Correction Factor (dB).



A D T

FOR HSDPA

X-AXIS

MODE		TX channel 4132				
ANTENNA POLARITY & TEST DISTANCE: HORIZONTAL AT 3 M						
No.	Freq. (MHz)	Emission Level (dBuV)	Limit (dBm)	S.G Power Value (dBm)	Correction Factor (dB)	Power Value (dBm)
1	1652.80	52.7	-13.0	-49.9	7.7	-42.2
2	2479.20	56.9	-13.0	-46.2	8.4	-37.8
3	3305.60	54.0	-13.0	-50.4	9.9	-40.5
4	4132.00	52.4	-13.0	-51.8	9.7	-42.1
5	4958.40	61.9	-13.0	-42.2	9.5	-32.7
ANTENNA POLARITY & TEST DISTANCE: VERTICAL AT 3 M						
No.	Freq. (MHz)	Emission Level (dBuV)	Limit (dBm)	S.G Power Value (dBm)	Correction Factor (dB)	Power Value (dBm)
1	1652.80	54.2	-13.0	-48.2	7.7	-40.5
2	2479.20	48.2	-13.0	-55.1	8.4	-46.7
3	3305.60	53.2	-13.0	-51.4	9.9	-41.5
4	4132.00	55.3	-13.0	-49.0	9.7	-39.3
5	4958.40	61.3	-13.0	-43.0	9.5	-33.5

Y-AXIS

MODE		TX channel 4132				
ANTENNA POLARITY & TEST DISTANCE: HORIZONTAL AT 3 M						
No.	Freq. (MHz)	Emission Level (dBuV)	Limit (dBm)	S.G Power Value (dBm)	Correction Factor (dB)	Power Value (dBm)
1	1652.80	57.6	-13.0	-44.9	7.7	-37.2
2	2479.20	58.7	-13.0	-44.5	8.4	-36.1
3	3305.60	55.9	-13.0	-48.8	9.9	-38.9
4	4132.00	56.3	-13.0	-48.0	9.7	-38.3
5	4958.40	66.4	-13.0	-37.7	9.5	-28.2
ANTENNA POLARITY & TEST DISTANCE: VERTICAL AT 3 M						
No.	Freq. (MHz)	Emission Level (dBuV)	Limit (dBm)	S.G Power Value (dBm)	Correction Factor (dB)	Power Value (dBm)
1	1652.80	58.5	-13.0	-43.8	7.7	-36.1
2	2479.20	55.4	-13.0	-47.2	8.4	-38.8
3	3305.60	52.4	-13.0	-51.6	9.9	-41.7
4	4132.00	55.9	-13.0	-48.5	9.7	-38.8
5	4958.40	64.1	-13.0	-40.2	9.5	-30.7

NOTE: Power Value (dBum) = S.G Power Value (dBm) + Correction Factor (dB).



A D T

Z-AXIS

MODE		TX channel 4132				
ANTENNA POLARITY & TEST DISTANCE: HORIZONTAL AT 3 M						
No.	Freq. (MHz)	Emission Level (dBuV)	Limit (dBm)	S.G Power Value (dBm)	Correction Factor (dB)	Power Value (dBm)
1	1652.80	51.6	-13.0	-50.6	7.7	-42.9
2	2479.20	47.5	-13.0	-55.1	8.4	-46.7
3	3305.60	58.2	-13.0	-45.8	9.9	-35.9
4	4132.00	55.9	-13.0	-48.7	9.7	-39.0
5	4958.40	65.9	-13.0	-38.2	9.6	-28.6
ANTENNA POLARITY & TEST DISTANCE: VERTICAL AT 3 M						
No.	Freq. (MHz)	Emission Level (dBuV)	Limit (dBm)	S.G Power Value (dBm)	Correction Factor (dB)	Power Value (dBm)
1	1652.80	60.4	-13.0	-42.1	7.7	-34.4
2	2479.20	50.3	-13.0	-52.3	8.4	-43.9
3	3305.60	58.7	-13.0	-45.7	9.9	-35.8
4	4132.00	54.4	-13.0	-50.0	9.7	-40.3
5	4958.40	61.3	-13.0	-42.6	9.6	-33.0

NOTE: Power Value (dBum) = S.G Power Value (dBm) + Correction Factor (dB).



A D T

FOR HSUPA

X-AXIS

MODE		TX channel 4132				
ANTENNA POLARITY & TEST DISTANCE: HORIZONTAL AT 3 M						
No.	Freq. (MHz)	Emission Level (dBuV)	Limit (dBm)	S.G Power Value (dBm)	Correction Factor (dB)	Power Value (dBm)
1	1652.80	53.2	-13.0	-48.9	7.7	-41.2
2	2479.20	56.5	-13.0	-46.5	8.4	-38.1
3	3305.60	55.3	-13.0	-49.3	9.9	-39.4
4	4132.00	54.3	-13.0	-50.1	9.7	-40.4
5	4958.40	61.4	-13.0	-42.0	9.5	-32.5
ANTENNA POLARITY & TEST DISTANCE: VERTICAL AT 3 M						
No.	Freq. (MHz)	Emission Level (dBuV)	Limit (dBm)	S.G Power Value (dBm)	Correction Factor (dB)	Power Value (dBm)
1	1652.80	56.6	-13.0	-46.0	7.7	-38.3
2	2479.20	50.3	-13.0	-52.2	8.4	-43.8
3	3305.60	55.1	-13.0	-49.0	9.9	-39.1
4	4132.00	57.3	-13.0	-47.2	9.7	-37.5
5	4958.40	63.4	-13.0	-40.9	9.5	-31.4

Y-AXIS

MODE		TX channel 4132				
ANTENNA POLARITY & TEST DISTANCE: HORIZONTAL AT 3 M						
No.	Freq. (MHz)	Emission Level (dBuV)	Limit (dBm)	S.G Power Value (dBm)	Correction Factor (dB)	Power Value (dBm)
1	1652.80	58.8	-13.0	-43.1	7.7	-35.4
2	2479.20	58.3	-13.0	-44.6	8.4	-36.2
3	3305.60	55.8	-13.0	-48.3	9.9	-38.4
4	4132.00	54.8	-13.0	-49.2	9.7	-39.5
5	4958.40	68.8	-13.0	-35.5	9.5	-26.0
ANTENNA POLARITY & TEST DISTANCE: VERTICAL AT 3 M						
No.	Freq. (MHz)	Emission Level (dBuV)	Limit (dBm)	S.G Power Value (dBm)	Correction Factor (dB)	Power Value (dBm)
1	1652.80	58.6	-13.0	-43.3	7.7	-35.6
2	2479.20	57.6	-13.0	-45.5	8.4	-37.1
3	3305.60	54.1	-13.0	-50.5	9.9	-40.6
4	4132.00	55.7	-13.0	-48.9	9.7	-39.2
5	4958.40	66.2	-13.0	-38.0	9.5	-28.5

NOTE: Power Value (dBum) = S.G Power Value (dBm) + Correction Factor (dB).



Z-AXIS

MODE		TX channel 4132				
ANTENNA POLARITY & TEST DISTANCE: HORIZONTAL AT 3 M						
No.	Freq. (MHz)	Emission Level (dBuV)	Limit (dBm)	S.G Power Value (dBm)	Correction Factor (dB)	Power Value (dBm)
1	1652.80	51.6	-13.0	-50.4	7.7	-42.7
2	2479.20	47.6	-13.0	-55.5	8.4	-47.1
3	3305.60	58.2	-13.0	-46.5	9.9	-36.6
4	4132.00	55.9	-13.0	-48.7	9.7	-39.0
5	4958.40	65.3	-13.0	-38.9	9.6	-29.3
ANTENNA POLARITY & TEST DISTANCE: VERTICAL AT 3 M						
No.	Freq. (MHz)	Emission Level (dBuV)	Limit (dBm)	S.G Power Value (dBm)	Correction Factor (dB)	Power Value (dBm)
1	1652.80	59.6	-13.0	-42.8	7.7	-35.1
2	2479.20	50.3	-13.0	-52.8	8.4	-44.4
3	3305.60	58.1	-13.0	-46.5	9.9	-36.6
4	4132.00	54.5	-13.0	-50.0	9.7	-40.3
5	4958.40	59.3	-13.0	-44.9	9.6	-35.3

NOTE: Power Value (dBum) = S.G Power Value (dBm) + Correction Factor (dB).



4.4 CONDUCTED EMISSION MEASUREMENT

4.4.1 LIMITS OF CONDUCTED EMISSION MEASUREMENT

FREQUENCY OF EMISSION (MHz)	CONDUCTED LIMIT (dB μ V)	
	Quasi-peak	Average
0.15-0.5	66 to 56	56 to 46
0.5-5	56	46
5-30	60	50

- NOTE:**
1. The lower limit shall apply at the transition frequencies.
 2. The limit decreases in line with the logarithm of the frequency in the range of 0.15 to 0.50 MHz.
 3. All emanations from a class A/B digital device or system, including any network of conductors and apparatus connected thereto, shall not exceed the level of field strengths specified above.

4.4.2 TEST INSTRUMENTS

DESCRIPTION & MANUFACTURER	MODEL NO.	SERIAL NO.	DATE OF CALIBRATION	DUE DATE OF CALIBRATION
Test Receiver ROHDE & SCHWARZ	ESCS30	100289	Nov. 23, 2010	Nov. 22, 2011
RF signal cable Woken	5D-FB	Cable-HYCO2-01	Dec. 30, 2010	Dec. 29, 2011
LISN ROHDE & SCHWARZ	ESH2-Z5	100100	Jan. 06, 2011	Jan. 05, 2012
LISN ROHDE & SCHWARZ	ESH3-Z5	100311	Jul. 08, 2010	Jul. 07, 2011
V-LISN SCHWARZBECK	NNBL 8226-2	8226-142	Jul. 12, 2010	Jul. 11, 2011
LISN ROHDE & SCHWARZ	ENV216	100072	Jun. 11, 2010	Jun. 10, 2011
Software ADT	ADT_Cond_ V7.3.7	NA	NA	NA

- NOTE:**
1. The calibration interval of the above test instruments is 12 months and the calibrations are traceable to NML/ROC and NIST/USA.
 2. The test was performed in HwaYa Shielded Room 2.
 3. The VCCI Site Registration No. is C-2047.



A D T

4.4.3 TEST PROCEDURES

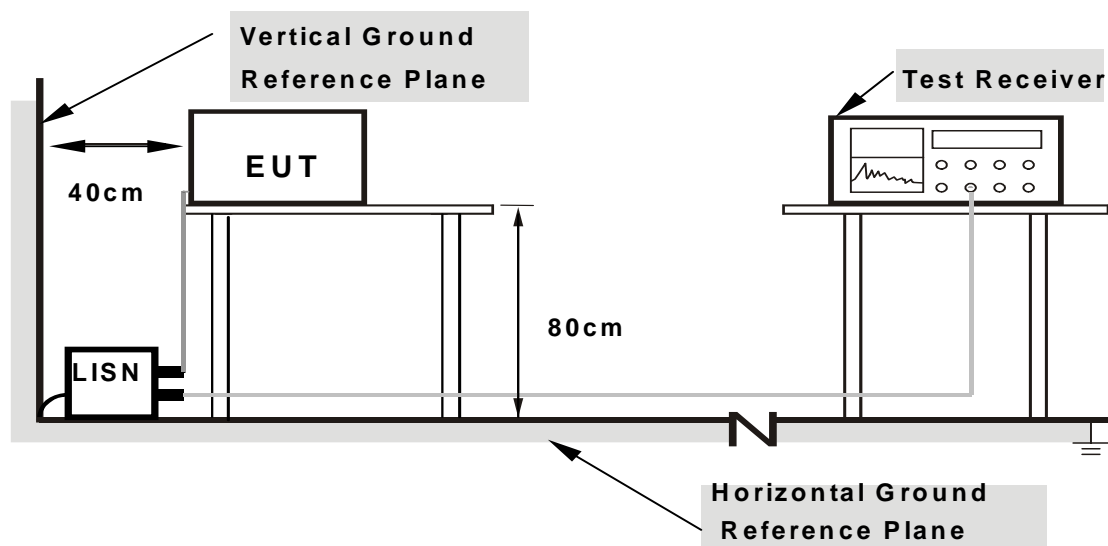
- a. The EUT was placed 0.4 meters from the conducting wall of the shielded room with EUT being connected to the power mains through a line impedance stabilization network (LISN). Other support units were connected to the power mains through another LISN. The two LISNs provide 50 ohm/ 50uH of coupling impedance for the measuring instrument.
- b. Both lines of the power mains connected to the EUT were checked for maximum conducted interference.
- c. The frequency range from 150kHz to 30MHz was searched. Emission levels under (Limit - 20dB) was not recorded.

NOTE: All modes of operation were investigated and the worst-case emissions are reported.

4.4.4 DEVIATION FROM TEST STANDARD

No deviation.

4.4.5 TEST SETUP



Note: 1. Support units were connected to second LISN.

2. Both of LISNs (AMN) are 80 cm from EUT and at least 80 cm from other units and other metal planes

For the actual test configuration, please refer to the attached file (Test Setup Photo).

4.4.6 EUT OPERATING CONDITIONS

Set the EUT under transmitting condition.



A D T

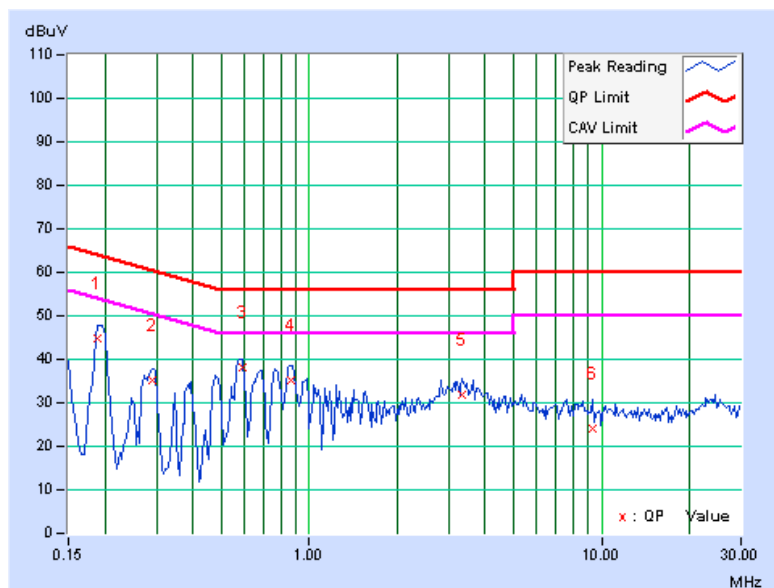
4.4.7 TEST RESULTS

CONDUCTED WORST CASE DATA:

PHASE	Line 1	6dB BANDWIDTH	9kHz
-------	--------	---------------	------

No	Freq. [MHz]	Corr. Factor (dB)	Reading Value		Emission Level		Limit		Margin	
			[dB (uV)]		[dB (uV)]		[dB (uV)]		(dB)	
			Q.P.	AV.	Q.P.	AV.	Q.P.	AV.	Q.P.	AV.
1	0.189	0.15	44.52	-	44.67	-	64.08	54.08	-19.41	-
2	0.291	0.16	35.02	-	35.18	-	60.51	50.51	-25.33	-
3	0.591	0.18	38.03	-	38.21	-	56.00	46.00	-17.79	-
4	0.861	0.19	34.90	-	35.09	-	56.00	46.00	-20.91	-
5	3.332	0.29	31.61	-	31.90	-	56.00	46.00	-24.10	-
6	9.301	0.53	23.36	-	23.89	-	60.00	50.00	-36.11	-

- REMARKS:**
1. Q.P. and AV. are abbreviations of quasi-peak and average individually.
 2. "-": The Quasi-peak reading value also meets average limit and measurement with the average detector is unnecessary.
 3. The emission levels of other frequencies were very low against the limit.
 4. Margin value = Emission level - Limit value
 5. Correction factor = Insertion loss + Cable loss
 6. Emission Level = Correction Factor + Reading Value.



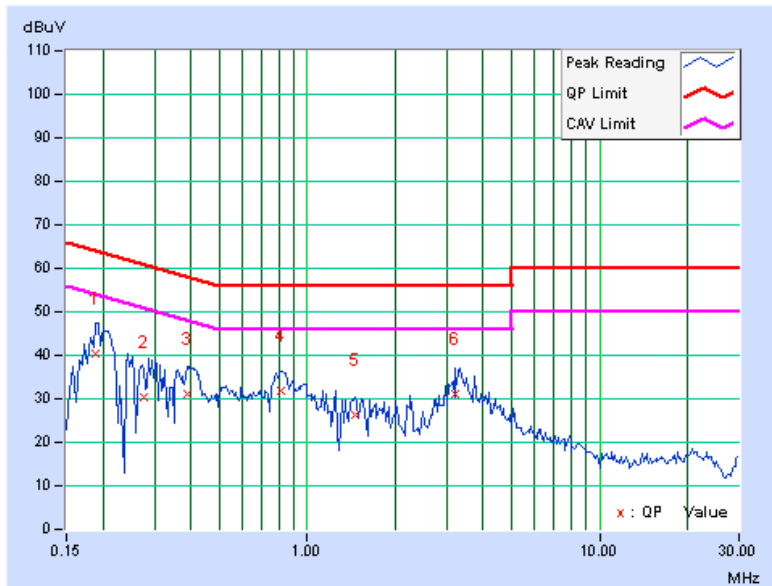


A D T

PHASE	Line 2	6dB BANDWIDTH	9kHz
-------	--------	---------------	------

No	Freq. [MHz]	Corr. Factor (dB)	Reading Value		Emission Level		Limit		Margin	
			[dB (uV)]		[dB (uV)]		[dB (uV)]		(dB)	
			Q.P.	AV.	Q.P.	AV.	Q.P.	AV.	Q.P.	AV.
1	0.189	0.17	40.15	-	40.32	-	64.08	54.08	-23.76	-
2	0.277	0.18	30.14	-	30.32	-	60.90	50.90	-30.58	-
3	0.388	0.19	30.85	-	31.04	-	58.10	48.10	-27.06	-
4	0.814	0.20	31.60	-	31.80	-	56.00	46.00	-24.20	-
5	1.461	0.22	26.20	-	26.42	-	56.00	46.00	-29.58	-
6	3.207	0.28	30.88	-	31.16	-	56.00	46.00	-24.84	-

- REMARKS:**
1. Q.P. and AV. are abbreviations of quasi-peak and average individually.
 2. "-": The Quasi-peak reading value also meets average limit and measurement with the average detector is unnecessary.
 3. The emission levels of other frequencies were very low against the limit.
 4. Margin value = Emission level - Limit value
 5. Correction factor = Insertion loss + Cable loss
 6. Emission Level = Correction Factor + Reading Value.





A D T

5 PHOTOGRAPHS OF THE TEST CONFIGURATION

Please refer to the attached file (Test Setup Photo).



6 INFORMATION ON THE TESTING LABORATORIES

We, Bureau Veritas Consumer Products Services (H.K.) Ltd., Taoyuan Branch, were founded in 1988 to provide our best service in EMC, Radio, Telecom and Safety consultation. Our laboratories are accredited and approved according to ISO/IEC 17025.

Copies of accreditation certificates of our laboratories obtained from approval agencies can be downloaded from our web site: www.adt.com.tw/index.5.phtml.
If you have any comments, please feel free to contact us at the following:

Linko EMC/RF Lab:
Tel: 886-2-26052180
Fax: 886-2-26051924

Hsin Chu EMC/RF Lab:
Tel: 886-3-5935343
Fax: 886-3-5935342

Hwa Ya EMC/RF/Safety/Telecom Lab:
Tel: 886-3-3183232
Fax: 886-3-3185050

Web Site: www.adt.com.tw

The address and road map of all our labs can be found in our web site also.



A D T

7 APPENDIX A – MODIFICATIONS RECORDERS FOR ENGINEERING CHANGES TO THE EUT BY THE LAB

No any modifications are made to the EUT by the lab during the test.

---END---