



FCC CERTIFICATION REPORT

Test Report No. : E1/2017/B0020
Applicant : Fujitsu Limited
Address : 1-1, Kamikodanaka 4-chome, Nakahara-ku, Kawasaki 211-8588,
 Japan
Manufacturer : Fujitsu Limited
Address : 1-1, Kamikodanaka 4-chome, Nakahara-ku, Kawasaki 211-8588,
 Japan

Equipment Under Test (EUT) :
Product Name : Smart Phone
Brand Name : FUJITSU
Model No. : F-03K
Added Model(s) : N/A

Standards : FCC Part 15:2017, Subpart B, Class B
FCC Designation Numbers : 916890 / TW1087

Date of Receipt : Nov. 01, 2017
Date of Test : Nov. 01 ~ 10, 2017
Date of Issue : Dec. 08, 2017

Test Result :	PASS
----------------------	-------------

In the configuration tested, the EUT complied with the standards specified above.

Remarks :

This report details the results of the testing carried out on one sample, the results contained in this test report do not relate to other samples of the same product. The manufacturer should ensure that all products in series production are in conformity with the product sample detailed in this report.

This report shall not be reproduced except in full, without the written approval of the laboratory. If the product in this report is used in any configuration other than that detailed in the report, the manufacturer must ensure the new system complies with all relevant standards.

Tested By:

Ivan Hsieh

Date

Dec. 08, 2017

Ivan Hsieh (Engineer)

Approved By

Wisely Huang

Date

Dec. 08, 2017

Wisely Huang (Asst. Supervisor)



Unless otherwise stated the results shown in this test report refer only to the sample(s) tested and such sample(s) are retained for 90 days only.
 除非另有說明，此報告結果僅對測試之樣品負責，同時此樣品僅保留90天。本報告未經本公司書面許可，不可部份複製。

This document is issued by the Company subject to its General Conditions of Service printed overleaf, available on request or accessible at www.sgs.com/terms_and_conditions.htm and for electronic format documents, subject to Terms and Conditions for Electronic Documents at www.sgs.com/terms_e-document.htm. Attention is drawn to the limitation of liability, indemnification and jurisdiction issues defined therein. Any holder of this document is advised that information contained hereon reflects the Company's findings at the time of its intervention only and within the limits of Client's instructions, if any. The Company's sole responsibility is to its Client and this document does not exonerate parties to a transaction from exercising all their rights and obligations under the transaction documents. This document cannot be reproduced except in full, without prior written approval of the Company. Any unauthorized alteration, forgery or falsification of the content or appearance of this document is unlawful and offenders may be prosecuted to the fullest extent of the law.

SGS Taiwan Ltd.

No.134,Wu Kung Road, New Taipei Industrial Park, Wuku District, New Taipei City, Taiwan 24803/新北市五股區新北產業園區五工路 134 號

台灣檢驗科技股份有限公司

t (886-2) 2299-3279

f (886-2) 2298-0488

www.tw.sgs.com

Member of SGS Group



Revision History

Report Number	Revision	Description	Issue Date
E1/2017/B0020	Rev.00	Initial creation of document	Dec. 08, 2017

Unless otherwise stated the results shown in this test report refer only to the sample(s) tested and such sample(s) are retained for 90 days only.
 除非另有說明，此報告結果僅對測試之樣品負責，同時此樣品僅保留90天。本報告未經本公司書面許可，不可部份複製。

This document is issued by the Company subject to its General Conditions of Service printed overleaf, available on request or accessible at www.sgs.com/terms_and_conditions.htm and for electronic format documents, subject to Terms and Conditions for Electronic Documents at www.sgs.com/terms_e-document.htm. Attention is drawn to the limitation of liability, indemnification and jurisdiction issues defined therein. Any holder of this document is advised that information contained hereon reflects the Company's findings at the time of its intervention only and within the limits of Client's instructions, if any. The Company's sole responsibility is to its Client and this document does not exonerate parties to a transaction from exercising all their rights and obligations under the transaction documents. This document cannot be reproduced except in full, without prior written approval of the Company. Any unauthorized alteration, forgery or falsification of the content or appearance of this document is unlawful and offenders may be prosecuted to the fullest extent of the law.



Contents

1. GENERAL INFORMATION	4
1.1 APPLICANT & MANUFACTURER INFORMATION	4
1.2 GENERAL DESCRIPTION OF EUT	4
1.3 DETAILS OF EUT	4
1.4 OPERATION PROCEDURE	6
1.5 DESCRIPTION OF SUPPORT UNITS	8
1.6 MODIFICATION LIST	8
1.7 ACCESSORIES CABLE LIST	8
1.8 TEST SET-UP CONFIGURATION.....	9
1.9 MEASUREMENT PROCEDURE	11
1.10 STANDARDS APPLICABLE FOR TESTING.....	11
1.11 SUMMARY OF RESULTS	11
2. EMISSION	12
2.1 TEST RESULTS	12
2.2 FREQUENCY RANGE.....	12
2.3 LIMITS OF CONDUCTED AND RADIATED EMISSION	12
2.3.1 LIMITS OF CONDUCTED EMISSION	12
2.3.2 LIMITS OF RADIATED EMISSIONS	13
2.4. TEST OF CONDUCTED EMISSION.....	14
2.4.1 TEST EQUIPMENTS	14
2.4.2 OPERATING ENVIRONMENT	14
2.4.3 MEASUREMENT LEVEL CALCULATION.....	14
2.4.4 MEASUREMENT DATA:.....	15
2.5 TEST OF RADIATED EMISSION.....	17
2.5.1 TEST EQUIPMENTS	17
2.5.2 OPERATING ENVIRONMENT	18
2.5.3 MEASUREMENT LEVEL CALCULATION.....	18
2.5.4 MEASUREMENT DATA.....	19
3. PHOTOGRAPHS OF TEST	23
4. PHOTOGRAPHS OF PRODUCT	26

Unless otherwise stated the results shown in this test report refer only to the sample(s) tested and such sample(s) are retained for 90 days only.
 除非另有說明，此報告結果僅對測試之樣品負責，同時此樣品僅保留90天。本報告未經本公司書面許可，不可部份複製。

This document is issued by the Company subject to its General Conditions of Service printed overleaf, available on request or accessible at www.sgs.com/terms_and_conditions.htm and for electronic format documents, subject to Terms and Conditions for Electronic Documents at www.sgs.com/terms_e-document.htm. Attention is drawn to the limitation of liability, indemnification and jurisdiction issues defined therein. Any holder of this document is advised that information contained hereon reflects the Company's findings at the time of its intervention only and within the limits of Client's instructions, if any. The Company's sole responsibility is to its Client and this document does not exonerate parties to a transaction from exercising all their rights and obligations under the transaction documents. This document cannot be reproduced except in full, without prior written approval of the Company. Any unauthorized alteration, forgery or falsification of the content or appearance of this document is unlawful and offenders may be prosecuted to the fullest extent of the law.

1. General Information

1.1 Applicant & Manufacturer Information

Applicant : Fujitsu Limited
 Address of Applicant : 1-1, Kamikodanaka 4-chome, Nakahara-ku, Kawasaki
 211-8588, Japan
 Manufacturer : Fujitsu Limited
 Address of Manufacturer : 1-1, Kamikodanaka 4-chome, Nakahara-ku, Kawasaki
 211-8588, Japan

1.2 General Description of EUT

Product Name : Smart Phone
 Brand Name : FUJITSU
 Model No. : F-03K
 Added Model(s) : N/A
 Model Difference : N/A

1.3 Details of EUT

Power Supply : AC 100~240V, 50~60Hz
 Modes/Function : Mode 1. ADP+ Earphone + WiFi Link +NFC OFF+
 BT Link + GPS/Glonass Link + SD Card+
 GSM : 850 Link
 Mode 2. ADP+ Earphone + WiFi Idle + NFC OFF+
 BT Idle + GPS/Glonass Idle + SD Card +
 GSM : 1900 Idle
 Mode 3. WiFi Link + NFC ON(Standalone) +
 BT Link + GPS/Glonass Link +SD Card+
 GSM : 850/1900 (Worst) Single
 Mode 4. ADP+ Earphone + WiFi Idle +NFC OFF +
 BT Idle + GPS/Glonass Idle + SD Card +
 3G : BV Idle

Unless otherwise stated the results shown in this test report refer only to the sample(s) tested and such sample(s) are retained for 90 days only.
 除非另有說明，此報告結果僅對測試之樣品負責，同時此樣品僅保留90天。本報告未經本公司書面許可，不可部份複製。

This document is issued by the Company subject to its General Conditions of Service printed overleaf, available on request or accessible at www.sgs.com/terms_and_conditions.htm and for electronic format documents, subject to Terms and Conditions for Electronic Documents at www.sgs.com/terms_e-document.htm. Attention is drawn to the limitation of liability, indemnification and jurisdiction issues defined therein. Any holder of this document is advised that information contained hereon reflects the Company's findings at the time of its intervention only and within the limits of Client's instructions, if any. The Company's sole responsibility is to its Client and this document does not exonerate parties to a transaction from exercising all their rights and obligations under the transaction documents. This document cannot be reproduced except in full, without prior written approval of the Company. Any unauthorized alteration, forgery or falsification of the content or appearance of this document is unlawful and offenders may be prosecuted to the fullest extent of the law.

	Mode 5. ADP+ Earphone +Camera Rear REC + WiFi Link + NFC OFF + BT Stand by + GPS/Glonass Link + SD Card
	Mode 6. ADP+ Earphone+ Camera Front REC+ WiFi Link + NFC OFF + BT Stand by + GPS/Glonass Link + SD Card
	Mode 7. WiFi Link + BT Link+GPS/Glonass Link + Earphone + SD Card + SD Write
	Mode 8. WiFi Link + BT Link +GPS/Glonass Link+ Earphone + SD Card + SD Read
	Mode 9. ADP Charger + USB Cable + Docking + SD Card + Play 1KHz
	Mode 10. NB Charger + USB Cable + Docking + SD Card + Play 1KHz
Worst case	: CE worst case : Mode 1. ADP+ Earphone +WiFi Link +NFC OFF + BT Link + GPS/Glonass Link +SD Card + GSM : 850 Link Below / Above RE worst case : Mode 8. WiFi Link + BT Link+GPS/Glonass Link + Earphone + SD Card + SD Write
Highest operate description	: 5GHz
Adapter	: Model No.: FMV-AC346 Supplier : FUJITSU I/P : AC 100-240V, 50/60Hz, 0.3A O/P : DC 5.0V, 2.0A
Battery	: Model No.: F35 Supplier: Fujitsu 3.8Vdc, 2,100mAh, 8.0Wh
Docking	: Model No.: F46 Supplier : Fujitsu I/P : DC 5.0V, 1.5A O/P : DC 5.0V, 1.5A
IMEI	: 352573090018912

Unless otherwise stated the results shown in this test report refer only to the sample(s) tested and such sample(s) are retained for 90 days only.
除非另有說明，此報告結果僅對測試之樣品負責，同時此樣品僅保留90天。本報告未經本公司書面許可，不可部份複製。

This document is issued by the Company subject to its General Conditions of Service printed overleaf, available on request or accessible at www.sgs.com/terms_and_conditions.htm and for electronic format documents, subject to Terms and Conditions for Electronic Documents at www.sgs.com/terms_e-document.htm. Attention is drawn to the limitation of liability, indemnification and jurisdiction issues defined therein. Any holder of this document is advised that information contained hereon reflects the Company's findings at the time of its intervention only and within the limits of Client's instructions, if any. The Company's sole responsibility is to its Client and this document does not exonerate parties to a transaction from exercising all their rights and obligations under the transaction documents. This document cannot be reproduced except in full, without prior written approval of the Company. Any unauthorized alteration, forgery or falsification of the content or appearance of this document is unlawful and offenders may be prosecuted to the fullest extent of the law.



1.4 Operation Procedure

Mode: 1

1. Let EUT connect to the USB Cable, Adapter and Earphone.
2. Turned on the WiFi of EUT and connected to the AP.
Turned on Bluetooth and connected to the Bluetooth speaker.
Turned OFF NFC.
Turned on the GPS and connected to GPS simulator.
Played 1KHz from SD Card.
Turned on GSM and call connection with CMU200 (GSM850).
3. Started the test.

Mode 2

1. Let EUT connect to the USB Cable, Adapter and Earphone.
2. Turned on the WiFi of EUT and connected to the AP.
Turned on Bluetooth and connected to the Bluetooth speaker.
Turned OFF NFC.
Turned on the GPS and connected to GPS simulator.
Played 1KHz from SD Card.
Turned on GSM and call connection with CMU200 (GSM1900).
3. Started the test.

Mode 3

1. Turned on the WiFi of EUT and connected to the AP.
Turned on NFC and scanned the card continuously.
Turned on Bluetooth and connected to the Bluetooth speaker.
Turned on the GPS and connected to GPS simulator.
Played 1KHz from SD Card.
Turned on GSM and call connection with CMU200 (GSM850/GSM1900).
2. Started the test.

Mode 4

1. Let EUT connect to the USB Cable, Adapter and Earphone.
2. Turned on the WiFi of EUT and connected to the AP.
Turned on Bluetooth and connected to the Bluetooth speaker.
Turned OFF NFC.
Turned on the GPS and connected to GPS simulator.
Played 1KHz from SD Card.
Turned on GSM and call connection with CMU200 (3G B).
3. Started the test.

Unless otherwise stated the results shown in this test report refer only to the sample(s) tested and such sample(s) are retained for 90 days only.
除非另有說明，此報告結果僅對測試之樣品負責，同時此樣品僅保留90天。本報告未經本公司書面許可，不可部份複製。

This document is issued by the Company subject to its General Conditions of Service printed overleaf, available on request or accessible at www.sgs.com/terms_and_conditions.htm and for electronic format documents, subject to Terms and Conditions for Electronic Documents at www.sgs.com/terms_e-document.htm. Attention is drawn to the limitation of liability, indemnification and jurisdiction issues defined therein. Any holder of this document is advised that information contained hereon reflects the Company's findings at the time of its intervention only and within the limits of Client's instructions, if any. The Company's sole responsibility is to its Client and this document does not exonerate parties to a transaction from exercising all their rights and obligations under the transaction documents. This document cannot be reproduced except in full, without prior written approval of the Company. Any unauthorized alteration, forgery or falsification of the content or appearance of this document is unlawful and offenders may be prosecuted to the fullest extent of the law.



Mode 5

1. Let EUT connect to the USB Cable, Adapter and Earphone.
2. Turned on the rear camera to start recording.
Turned on the WiFi of EUT and connected to the AP.
Turned on Bluetooth and connected to the Bluetooth speaker.
Turned OFF NFC.
Turned on the GPS and connected to GPS simulator.
Played 1KHz from SD Card.
3. Started the test.

Mode 6

1. Let EUT connect to the USB Cable, Adapter and Earphone.
2. Turned on the front camera to start recording.
Turned on the WiFi of EUT and connected to the AP.
Turned on Bluetooth and connected to the Bluetooth speaker.
Turned OFF NFC.
Turned on the GPS and connected to GPS simulator.
Played 1KHz from SD Card.
3. Started the test.

Mode 7

1. Let EUT connect to the HTC USB Cable(Below RE), notebook and Earphone.
2. Turned on the WiFi of EUT and connected to the AP.
Turned on Bluetooth and connected to the Bluetooth speaker.
Turned on the GPS and connected to GPS simulator.
Let data from SD Card write into notebook.
3. Started the test.

Mode 8

1. Let EUT connect to the HTC USB Cable(Below RE), notebook and Earphone.
2. Turned on the WiFi of EUT and connected to the AP.
Turned on Bluetooth and connected to the Bluetooth speaker.
Turned on the GPS and connected to GPS simulator.
Let data from notebook read into SD Card.
3. Started the test.

Mode 9

1. Let EUT connect to USB Cable, Docking and Adapter to charge.
2. Played 1KHz from EUT.
3. Started the test.

Mode: 10

1. Let EUT connect to USB Cable, Docking and NB to charge.
2. Played 1KHz from EUT.
3. Started the test.

Unless otherwise stated the results shown in this test report refer only to the sample(s) tested and such sample(s) are retained for 90 days only.
除非另有說明，此報告結果僅對測試之樣品負責，同時此樣品僅保留90天。本報告未經本公司書面許可，不可部份複製。

This document is issued by the Company subject to its General Conditions of Service printed overleaf, available on request or accessible at www.sgs.com/terms_and_conditions.htm and for electronic format documents, subject to Terms and Conditions for Electronic Documents at www.sgs.com/terms_e-document.htm. Attention is drawn to the limitation of liability, indemnification and jurisdiction issues defined therein. Any holder of this document is advised that information contained hereon reflects the Company's findings at the time of its intervention only and within the limits of Client's instructions, if any. The Company's sole responsibility is to its Client and this document does not exonerate parties to a transaction from exercising all their rights and obligations under the transaction documents. This document cannot be reproduced except in full, without prior written approval of the Company. Any unauthorized alteration, forgery or falsification of the content or appearance of this document is unlawful and offenders may be prosecuted to the fullest extent of the law.



1.5 Description of Support Units

PRODUCT	MANUFACTURER	MODEL NO.	SERIAL NO.
SIM Card	R&S	CMW-Z05	8952530076180138474
BT Speaker	Creative	MF8090	YFMF8090245R00855Y
AP	BUFFALO	WZR-HP-G300NH2	44066221202559[[G]]
GPS Signal Generator	Spectracom	GSG53 GNSS4	200218
Notebook	DELL	INSPIRON 5437	H55Z0Z1
Mouse	DELL	MS111-T	CN-OKW2YH-71616-345-OL7T
Printer	HP	VCVRA-1004	CN33K19J3F
Micro SD	Transcend	Micro SDHC (Class4)	N/A

Support Equipment Used in Tested Cable

Cable Type	Core	Length	Shielding/Non-shielding
Earphones Cable(Fujitsu)	N/A	1.2m	Shielding
USB Cable (HTC)	N/A	1.0m	Shielding
USB Cable(Fujitsu)	N/A	1.1m	Non-shielding

1.6 Modification List

No modification was made by SGS Taiwan Electronics & Communication Laboratory.

1.7 Accessories Cable List

Cable Type	Core	Length	Shielding/Non-shielding
N/A	N/A	N/A	N/A

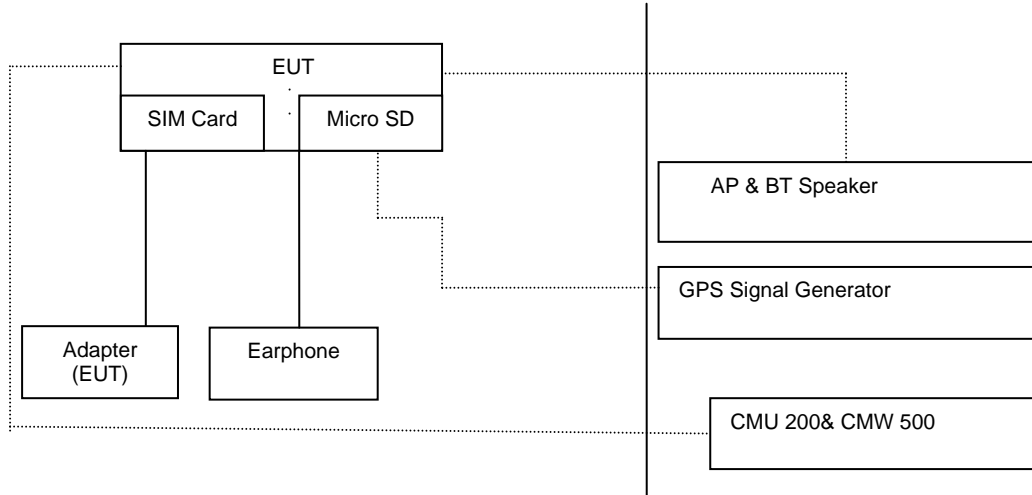
Unless otherwise stated the results shown in this test report refer only to the sample(s) tested and such sample(s) are retained for 90 days only.
 除非另有說明，此報告結果僅對測試之樣品負責，同時此樣品僅保留90天。本報告未經本公司書面許可，不可部份複製。

This document is issued by the Company subject to its General Conditions of Service printed overleaf, available on request or accessible at www.sgs.com/terms_and_conditions.htm and for electronic format documents, subject to Terms and Conditions for Electronic Documents at www.sgs.com/terms_e-document.htm. Attention is drawn to the limitation of liability, indemnification and jurisdiction issues defined therein. Any holder of this document is advised that information contained hereon reflects the Company's findings at the time of its intervention only and within the limits of Client's instructions, if any. The Company's sole responsibility is to its Client and this document does not exonerate parties to a transaction from exercising all their rights and obligations under the transaction documents. This document cannot be reproduced except in full, without prior written approval of the Company. Any unauthorized alteration, forgery or falsification of the content or appearance of this document is unlawful and offenders may be prosecuted to the fullest extent of the law.

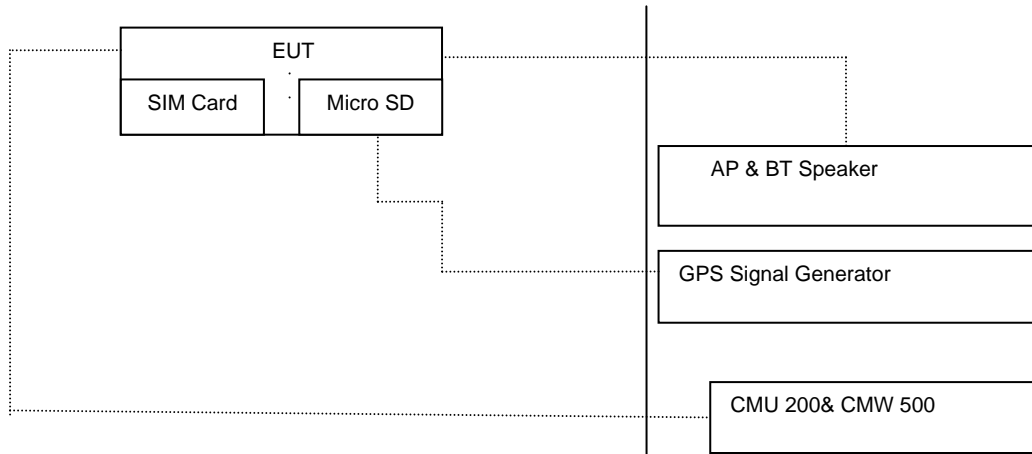


1.8 Test Set-Up Configuration

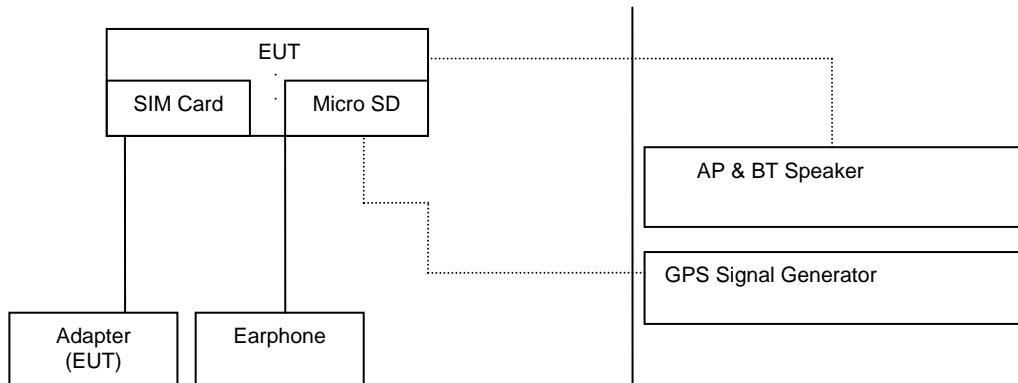
Mode 1-2 & 4



Mode 3



Mode 5-6



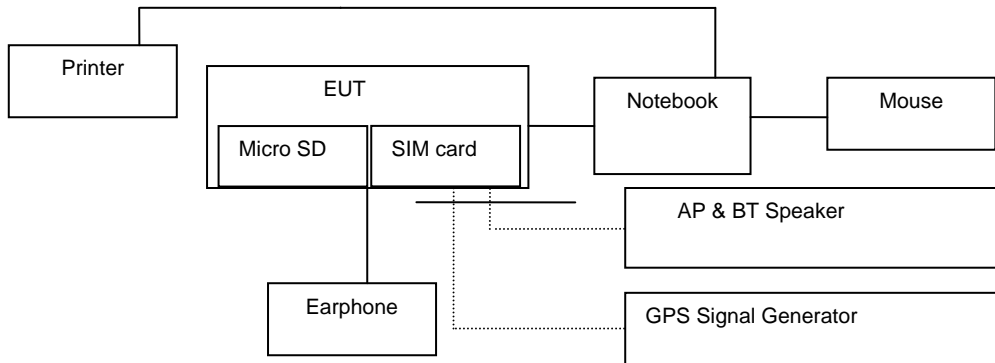
Unless otherwise stated the results shown in this test report refer only to the sample(s) tested and such sample(s) are retained for 90 days only.

除非另有說明，此報告結果僅對測試之樣品負責，同時此樣品僅保留90天。本報告未經本公司書面許可，不可部份複製。

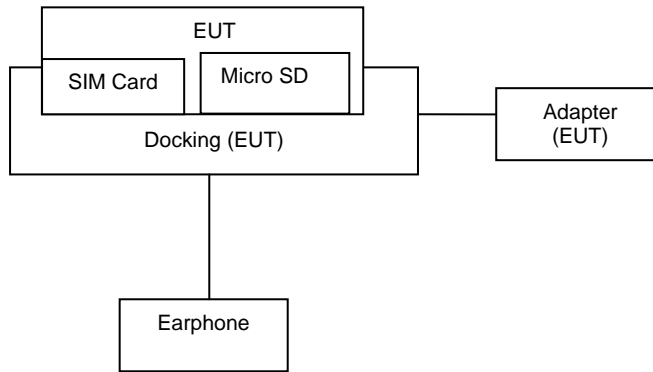
This document is issued by the Company subject to its General Conditions of Service printed overleaf, available on request or accessible at www.sgs.com/terms_and_conditions.htm and for electronic format documents, subject to Terms and Conditions for Electronic Documents at www.sgs.com/terms_e-document.htm. Attention is drawn to the limitation of liability, indemnification and jurisdiction issues defined therein. Any holder of this document is advised that information contained hereon reflects the Company's findings at the time of its intervention only and within the limits of Client's instructions, if any. The Company's sole responsibility is to its Client and this document does not exonerate parties to a transaction from exercising all their rights and obligations under the transaction documents. This document cannot be reproduced except in full, without prior written approval of the Company. Any unauthorized alteration, forgery or falsification of the content or appearance of this document is unlawful and offenders may be prosecuted to the fullest extent of the law.



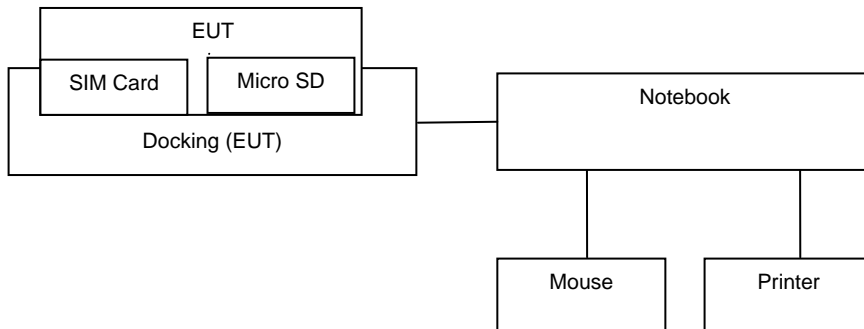
Mode 7-8



Mode 9



Mode 10



Unless otherwise stated the results shown in this test report refer only to the sample(s) tested and such sample(s) are retained for 90 days only.

除非另有說明，此報告結果僅對測試之樣品負責，同時此樣品僅保留90天。本報告未經本公司書面許可，不可部份複製。

This document is issued by the Company subject to its General Conditions of Service printed overleaf, available on request or accessible at www.sgs.com/terms_and_conditions.htm and for electronic format documents, subject to Terms and Conditions for Electronic Documents at www.sgs.com/terms_e-document.htm. Attention is drawn to the limitation of liability, indemnification and jurisdiction issues defined therein. Any holder of this document is advised that information contained hereon reflects the Company's findings at the time of its intervention only and within the limits of Client's instructions, if any. The Company's sole responsibility is to its Client and this document does not exonerate parties to a transaction from exercising all their rights and obligations under the transaction documents. This document cannot be reproduced except in full, without prior written approval of the Company. Any unauthorized alteration, forgery or falsification of the content or appearance of this document is unlawful and offenders may be prosecuted to the fullest extent of the law.



1.9 Measurement Procedure

Conducted Emission Testing was performed according to ANSI C63.4:2014 in a shielded room with peripherals placed on a table, 0.8m high over a metal floor. It was located more than required distance away from the shielded room wall.

Radiated Emission Testing was performed according to ANSI C63.4:2014 at the 3/10m semi-anechoic chamber. The EUT was placed on a 0.8m high table along with the peripherals. The turn table was placed 10m distance from the antenna. Cables were placed in a position to produce maximum emissions as determined by experimentation, and operation mode was selected for production of maximum emission.

The frequencies and amplitudes of maximum emission were measured at varying azimuths, antenna heights and antenna polarities. Maximum emission levels are then reported.

1.10 Standards Applicable for Testing

Tests to be carried out under FCC Part 15, Subpart B/CISPR 22

Test Standards	Status
FCC Part 15, Subpart B/ CISPR 22	Applicable
Deviation from Standard	No deviation

1.11 Summary of Results

Standard	Test Type	Highest Emission			
		Result	Phase/Pol.	Frequency(MHz)	Margin(dB)
FCC Part 15 Subpart B Class B	Conducted Emission	PASS	Line	0.1900	-18.81 (QP)
			Neutral	0.1820	-16.58 (QP)
	Radiated Emission	PASS	Hor.	171.3100	-4.46 (QP)

Unless otherwise stated the results shown in this test report refer only to the sample(s) tested and such sample(s) are retained for 90 days only.
除非另有說明，此報告結果僅對測試之樣品負責，同時此樣品僅保留90天。本報告未經本公司書面許可，不可部份複製。

This document is issued by the Company subject to its General Conditions of Service printed overleaf, available on request or accessible at www.sgs.com/terms_and_conditions.htm and for electronic format documents, subject to Terms and Conditions for Electronic Documents at www.sgs.com/terms_e-document.htm. Attention is drawn to the limitation of liability, indemnification and jurisdiction issues defined therein. Any holder of this document is advised that information contained hereon reflects the Company's findings at the time of its intervention only and within the limits of Client's instructions, if any. The Company's sole responsibility is to its Client and this document does not exonerate parties to a transaction from exercising all their rights and obligations under the transaction documents. This document cannot be reproduced except in full, without prior written approval of the Company. Any unauthorized alteration, forgery or falsification of the content or appearance of this document is unlawful and offenders may be prosecuted to the fullest extent of the law.

2. EMISSION

2.1 Test Results

	Results
Conducted Emission	Pass
Radiated Emission	Pass

2.2 Frequency Range

FCC Part 15, Subpart B:

Conducted Emission : 150 kHz - 30 MHz

Radiated Emission : See below table

Highest frequency generated or Upper frequency of measurement
used in the device or on which the range (MHz)
device operates or tunes (MHz)

Below 1.705	30
1.705 - 108	1000
108 - 500	2000
500 - 1000	5000
Above 1000	5th harmonic of the highest frequency or 40 GHz, whichever is lower

2.3 Limits of Conducted and Radiated Emission

2.3.1 Limits of Conducted Emission

FCC Part 15, Subpart B/CISPR 22:

FREQUENCY (MHz)	Class A (dBuV)		Class B (dBuV)	
	Quasi - peak	Average	Quasi - peak	Average
0.15 - 0.5	79	66	66 - 56	56 - 46
0.50 - 5.0	73	60	56	46
5.0 - 30.0	73	60	60	50

Note : (1) The lower limit shall apply at the transition frequencies.

(2) The limit decreases linearly with the logarithm of the frequency in the range 0.15 to 0.50 MHz.

(3) All emanation from a class A/B digital device or system, including any network of conductors and apparatus connected there to, shall not exceed the level of field strengths specified above.

Unless otherwise stated the results shown in this test report refer only to the sample(s) tested and such sample(s) are retained for 90 days only.
除非另有說明，此報告結果僅對測試之樣品負責，同時此樣品僅保留90天。本報告未經本公司書面許可，不可部份複製。

This document is issued by the Company subject to its General Conditions of Service printed overleaf, available on request or accessible at www.sgs.com/terms_and_conditions.htm and for electronic format documents, subject to Terms and Conditions for Electronic Documents at www.sgs.com/terms_e-document.htm. Attention is drawn to the limitation of liability, indemnification and jurisdiction issues defined therein. Any holder of this document is advised that information contained hereon reflects the Company's findings at the time of its intervention only and within the limits of Client's instructions, if any. The Company's sole responsibility is to its Client and this document does not exonerate parties to a transaction from exercising all their rights and obligations under the transaction documents. This document cannot be reproduced except in full, without prior written approval of the Company. Any unauthorized alteration, forgery or falsification of the content or appearance of this document is unlawful and offenders may be prosecuted to the fullest extent of the law.

2.3.2 Limits of Radiated Emissions

FCC Part 15, Subpart B Limit:

- Detector Function : Quasi – Peak

FREQUENCY (MHz)	Class A (at 10m)	Class B (at 3m)
	dBuV/m	dBuV/m
30~88	39	40
88~216	43.5	43.5
216~960	46.44	46
Above 960	49.54	54

- Detector Function : Peak , Average

FREQUENCY (MHz)	Class A (dBuV/m) (at 3m)		Class B (dBuV/m) (at 3m)	
	Peak	Average	Peak	Average
Above 1000-18000	79.3	59.3	73.9	53.9

CISPR 22 Limit:

- Detector Function : Quasi – Peak

FREQUENCY (MHz)	Class A (at 10m)	Class B (at 10m)
	dBuV/m	dBuV/m
30-230	40	30
230-1000	47	37

NOTE 1 The lower limit shall apply at the transition frequency.

NOTE 2 Additional provisions may be required for cases where interference occurs.

FREQUENCY (GHz)	Class A (dBuV/m) (at 3m)		Class B (dBuV/m) (at 3m)	
	Average	Peak	Average	Peak
1~3	56	76	50	70
3~6	60	80	54	74

NOTE The lower limit applies at the transition frequency.

Unless otherwise stated the results shown in this test report refer only to the sample(s) tested and such sample(s) are retained for 90 days only.
 除非另有說明，此報告結果僅對測試之樣品負責，同時此樣品僅保留90天。本報告未經本公司書面許可，不可部份複製。

This document is issued by the Company subject to its General Conditions of Service printed overleaf, available on request or accessible at www.sgs.com/terms_and_conditions.htm and for electronic format documents, subject to Terms and Conditions for Electronic Documents at www.sgs.com/terms_e-document.htm. Attention is drawn to the limitation of liability, indemnification and jurisdiction issues defined therein. Any holder of this document is advised that information contained hereon reflects the Company's findings at the time of its intervention only and within the limits of Client's instructions, if any. The Company's sole responsibility is to its Client and this document does not exonerate parties to a transaction from exercising all their rights and obligations under the transaction documents. This document cannot be reproduced except in full, without prior written approval of the Company. Any unauthorized alteration, forgery or falsification of the content or appearance of this document is unlawful and offenders may be prosecuted to the fullest extent of the law.



2.4. Test of Conducted Emission

2.4.1 Test Equipments

SGS Conducted_Emission HWAYA Conducted Room No.A EMC					
EQUIPMENT TYPE	Manufacturer	Model Number	Serial Number	Calibration Date	Calibration Due
EMI Test Receiver	R&S	ESCI 3	101311	2017/6/23	2018/6/22
Coaxial Cables	EMC Instruments Corp	EMCRG58-BM-BM-3000	160812	2017/8/30	2018/8/29
LISN	SCHWARZBECK	NSLK 8127	8127-648	2017/6/18	2018/6/17
Pulse Limiter	Narda S.T.S.	PMM PL01	1110X30602	2017/8/12	2018/8/11
LISN	Schwarzbeck	NSLK 8128	NSLK8128-300	2017/9/4	2018/9/3
Universal Digital Radio Communication Tester	R&S	CMU 200	119988	2017/3/7	2018/3/6
Wideband Radio Communication Tester	R&S	CMW 500	152303	2017/2/23	2018/2/22
Test S/W	Farad	EZ-EMC	Ver. SGS-03A2	N.C.R.	N.C.R.

SGS Taiwan LTD. Electronics & Communication Laboratory
 No.2, Keji 1st Rd., Guishan Dist., Taoyuan City 333, Taiwan (R.O.C.)
 Measurement Uncertainty of Conducted Emission
 Expanded uncertainty (K=2) of conducted emission is 2.25 dB

2.4.2 Operating Environment

Temperature : 24 degree C

Humidity : 62 %RH

Atmospheric Pressure : 992 mBar

2.4.3 Measurement Level Calculation

Factor = LISN insertion loss + Cable loss + Pulse Limiter Insertion Loss

Measurement Level = Reading Level + Factor

Over (Margin) = Measurement Level – Limit

Unless otherwise stated the results shown in this test report refer only to the sample(s) tested and such sample(s) are retained for 90 days only.
 除非另有說明，此報告結果僅對測試之樣品負責，同時此樣品僅保留90天。本報告未經本公司書面許可，不可部份複製。

This document is issued by the Company subject to its General Conditions of Service printed overleaf, available on request or accessible at www.sgs.com/terms_and_conditions.htm and for electronic format documents, subject to Terms and Conditions for Electronic Documents at www.sgs.com/terms_e-document.htm. Attention is drawn to the limitation of liability, indemnification and jurisdiction issues defined therein. Any holder of this document is advised that information contained hereon reflects the Company's findings at the time of its intervention only and within the limits of Client's instructions, if any. The Company's sole responsibility is to its Client and this document does not exonerate parties to a transaction from exercising all their rights and obligations under the transaction documents. This document cannot be reproduced except in full, without prior written approval of the Company. Any unauthorized alteration, forgery or falsification of the content or appearance of this document is unlawful and offenders may be prosecuted to the fullest extent of the law.

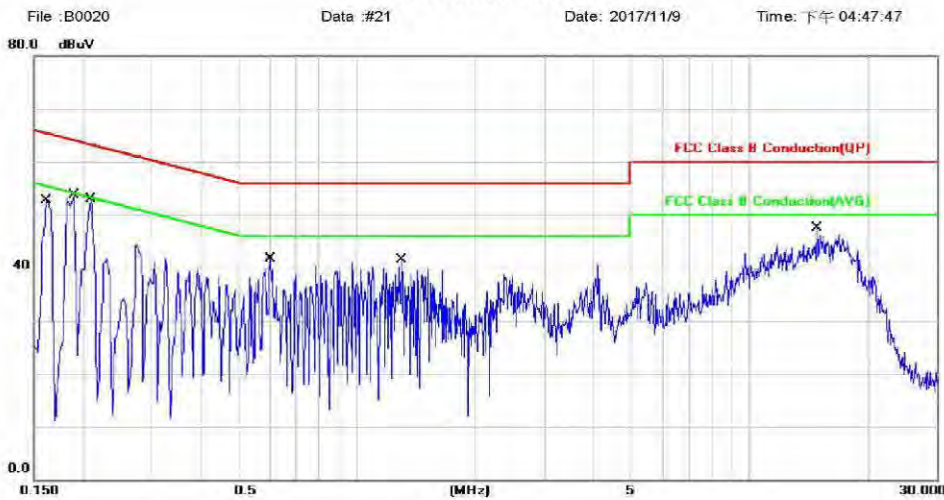
2.4.4 Measurement Data:

Model No.:F-03K

Mode_1_L

Site : Conduction Room Phase: **L1** Temperature: 24 °C
 Limit: FCC Class B Conduction(QP) Power: AC 120V/60Hz Humidity: 62 %
 Mode: Mode 1
 Note:

Conducted Emission



No.	Mk.	Freq.	Reading Level	Correct Factor	Measurement	Limit	Over	Detector	Comment
		MHz	dBuV	dB	dBuV	dBuV	dB		
1		0.1620	41.30	0.04	41.34	65.36	-24.02	QP	
2		0.1620	25.10	0.04	25.14	55.36	-30.22	AVG	
3	*	0.1900	45.20	0.03	45.23	64.04	-18.81	QP	
4		0.1900	29.40	0.03	29.43	54.04	-24.61	AVG	
5		0.2100	42.90	0.03	42.93	63.21	-20.28	QP	
6		0.2100	24.90	0.03	24.93	53.21	-28.28	AVG	
7		0.6020	33.90	0.05	33.95	56.00	-22.05	QP	
8		0.6020	24.70	0.05	24.75	46.00	-21.25	AVG	
9		1.3020	33.90	0.12	34.02	56.00	-21.98	QP	
10		1.3020	20.90	0.12	21.02	46.00	-24.98	AVG	
11		14.8460	37.80	0.84	38.64	60.00	-21.36	QP	
12		14.8460	28.00	0.84	28.84	50.00	-21.16	AVG	

*:Maximum data x:Over limit l:over margin

File :B0020\Data #21

Page: 1

Unless otherwise stated the results shown in this test report refer only to the sample(s) tested and such sample(s) are retained for 90 days only.

除非另有說明，此報告結果僅對測試之樣品負責，同時此樣品僅保留90天。本報告未經本公司書面許可，不可部份複製。

This document is issued by the Company subject to its General Conditions of Service printed overleaf, available on request or accessible at www.sgs.com/terms_and_conditions.htm and for electronic format documents, subject to Terms and Conditions for Electronic Documents at www.sgs.com/terms_e-document.htm. Attention is drawn to the limitation of liability, indemnification and jurisdiction issues defined therein. Any holder of this document is advised that information contained hereon reflects the Company's findings at the time of its intervention only and within the limits of Client's instructions, if any. The Company's sole responsibility is to its Client and this document does not exonerate parties to a transaction from exercising all their rights and obligations under the transaction documents. This document cannot be reproduced except in full, without prior written approval of the Company. Any unauthorized alteration, forgery or falsification of the content or appearance of this document is unlawful and offenders may be prosecuted to the fullest extent of the law.

Mode_1_N

Site : Conduction Room Phase: **N** Temperature: 24 °C
 Limit: FCC Class B Conduction(QP) Power: AC 120V/60Hz Humidity: 62 %
 Mode: Mode 1
 Note:

Conducted Emission



No.	Mk.	Freq.	Reading Level	Correct Factor	Measurement	Limit	Over	Detector	Comment
		MHz	dBuV	dB	dBuV	dBuV	dB		
1	*	0.1820	47.70	0.11	47.81	64.39	-16.58	QP	
2		0.1820	29.30	0.11	29.41	54.39	-24.98	AVG	
3		0.2020	46.80	0.11	46.91	63.53	-16.62	QP	
4		0.2020	29.60	0.11	29.71	53.53	-23.82	AVG	
5		0.2660	37.70	0.11	37.81	61.24	-23.43	QP	
6		0.2660	19.20	0.11	19.31	51.24	-31.93	AVG	
7		0.6020	31.90	0.12	32.02	56.00	-23.98	QP	
8		0.6020	24.60	0.12	24.72	46.00	-21.28	AVG	
9		1.4460	28.30	0.18	28.48	56.00	-27.52	QP	
10		1.4460	16.00	0.18	16.18	46.00	-29.82	AVG	
11		16.9140	38.50	0.66	39.16	60.00	-20.84	QP	
12		16.9140	26.20	0.66	26.86	50.00	-23.14	AVG	

*:Maximum data x:Over limit !:over margin

Unless otherwise stated the results shown in this test report refer only to the sample(s) tested and such sample(s) are retained for 90 days only.

除非另有說明，此報告結果僅對測試之樣品負責，同時此樣品僅保留90天。本報告未經本公司書面許可，不可部份複製。

This document is issued by the Company subject to its General Conditions of Service printed overleaf, available on request or accessible at www.sgs.com/terms_and_conditions.htm and for electronic format documents, subject to Terms and Conditions for Electronic Documents at www.sgs.com/terms_e-document.htm. Attention is drawn to the limitation of liability, indemnification and jurisdiction issues defined therein. Any holder of this document is advised that information contained hereon reflects the Company's findings at the time of its intervention only and within the limits of Client's instructions, if any. The Company's sole responsibility is to its Client and this document does not exonerate parties to a transaction from exercising all their rights and obligations under the transaction documents. This document cannot be reproduced except in full, without prior written approval of the Company. Any unauthorized alteration, forgery or falsification of the content or appearance of this document is unlawful and offenders may be prosecuted to the fullest extent of the law.



2.5 Test of Radiated Emission

2.5.1 Test Equipments

Below 1GHz

SGS Radiated_Below_1GHz HWAYA 10m_EMC					
EQUIPMENT TYPE	Manufacturer	Model Number	Serial Number	Calibration Date	Calibration Due
EMI Test Receiver	R&S	ESCI 7	100950	2016/12/7	2017/12/6
EMI Test Receiver	R&S	ESCI 3	101343	2016/12/21	2017/12/20
Broadband Antenna	SCHWAZBECK	VULB9168	9168-628	2017/9/8	2018/9/7
Broadband Antenna	SCHWAZBECK	VULB9168	9168-629	2017/9/12	2018/9/11
Pre Amplifier	EMC Instruments Corp.	EMC330	980178	2017/3/31	2018/3/30
Pre Amplifier	EMC Instruments Corp.	EMC330	980179	2017/3/31	2018/3/30
Coaxial Cable	EMC Instruments	EMCCFD400-NM-NM	150917	2017/9/18	2018/9/17
Coaxial Cable	EMC Instruments	EMCCFD400-NM-NM	150919	2017/9/18	2018/9/17
Coaxial Cable	EMC Instruments	EMCCFD400-NM-NM	150820	2017/9/18	2018/9/17
Coaxial Cable	EMC Instruments	EMCCFD400-NM-NM	150918	2017/9/18	2018/9/17
Coaxial Cable	EMC Instruments	EMCCFD400-NM-NM	150821	2017/9/18	2018/9/17
Coaxial Cable	EMC Instruments	EMCCFD400-NM-NM	150822	2017/9/18	2018/9/17
Universal Digital Radio Communication Tester	R&S	CMU 200	119988	2017/3/7	2018/3/6
Wideband Radio Communication Tester	R&S	CMW 500	152303	2017/2/23	2018/2/22
Controller	MF	MF-7802	N/A	N.C.R.	N.C.R.
Controller	MF	MF-7802	N/A	N.C.R.	N.C.R.
Antenna Master	MF	N/A	N/A	N.C.R.	N.C.R.
Antenna Master	MF	N/A	N/A	N.C.R.	N.C.R.
Antenna Master	MF	N/A	N/A	N.C.R.	N.C.R.
Turn Table	MF	N/A	N/A	N.C.R.	N.C.R.
Site NSA	Chance Most	10M Chamber	10M SAC	2016/12/31	2017/12/31
Test S/W	Farad	EZ-EMC	Ver. SGS-03A2	N.C.R.	N.C.R.

SGS Taiwan LTD. Electronics & Communication Laboratory
 No.2, Keji 1st Rd., Guishan Dist., Taoyuan City 333, Taiwan (R.O.C.)
 Measurement Uncertainty of Radiated Emission
 Expanded uncertainty of radiated emission is 4.09 dB. (30MHz ~ 1000MHz)

Unless otherwise stated the results shown in this test report refer only to the sample(s) tested and such sample(s) are retained for 90 days only.
 除非另有說明，此報告結果僅對測試之樣品負責，同時此樣品僅保留90天。本報告未經本公司書面許可，不可部份複製。

This document is issued by the Company subject to its General Conditions of Service printed overleaf, available on request or accessible at www.sgs.com/terms_and_conditions.htm and for electronic format documents, subject to Terms and Conditions for Electronic Documents at www.sgs.com/terms_e-document.htm. Attention is drawn to the limitation of liability, indemnification and jurisdiction issues defined therein. Any holder of this document is advised that information contained hereon reflects the Company's findings at the time of its intervention only and within the limits of Client's instructions, if any. The Company's sole responsibility is to its Client and this document does not exonerate parties to a transaction from exercising all their rights and obligations under the transaction documents. This document cannot be reproduced except in full, without prior written approval of the Company. Any unauthorized alteration, forgery or falsification of the content or appearance of this document is unlawful and offenders may be prosecuted to the fullest extent of the law.



Above 1GHz

SGS Radiated_Above_1GHz HWAYA 966A_EMC					
EQUIPMENT TYPE	Manufacturer	Model Number	Serial Number	Calibration Date	Calibration Due
Spectrum Analyzer	R&S	FSV 40	101419	2017/3/1	2018/2/28
EMI Test Receiver	R&S	ESR 7	101459	2017/2/17	2018/2/16
Horn Antenna	SCHWARZBECK	BBHA9120D	BBHA9120D67 3	2017/10/16	2018/10/15
Pre Amplifier	EMC Instruments Corp.	EMC012645B	980216	2017/4/25	2018/4/24
Coaxial Cable	JUNFLOW	MWX221-NMSNMS	J0778929	2017/4/23	2018/4/22
Coaxial Cable	Huber+Suhner	SUCCOFLEX 104PEA	30255/4PEA	2017/4/23	2018/4/22
Coaxial Cable	EMC Instruments	EMC104-SM-SM	140927	2017/4/23	2018/4/22
Coaxial Cable	Huber+Suhner	SUCOFLEX 102	MY 2152/2	2017/6/5	2018/6/4
Coaxial Cable	Huber+Suhner	SUCOFLEX 102	MY 2153/2	2017/6/5	2018/6/4
Universal Digital Radio Communication Tester	R&S	CMU 200	119988	2017/3/7	2018/3/6
Wideband Radio Communication Tester	R&S	CMW 500	152303	2017/2/23	2018/2/22
Controller	MF	MF-7802	N.C.R.	N.C.R.	N.C.R.
Antenna Master	MF	N/A	N/A	N.C.R.	N.C.R.
Turn Table	MF	N/A	N/A	N.C.R.	N.C.R.
Site VSWR	SGS	966 Chamber A	SAC-A	2017/1/12	2018/1/11
Test S/W	Farad	EZ-EMC	Ver. SGS-03A2	N.C.R.	N.C.R.

SGS Taiwan LTD. Electronics & Communication Laboratory
 No.2, Keji 1st Rd., Guishan Dist., Taoyuan City 333, Taiwan (R.O.C.)
 Measurement Uncertainty of Radiated Emission
 Expanded uncertainty (k=2) of radiated emission measurement is 5.05 dB. (1-6GHz)
 Expanded uncertainty (k=2) of radiated emission measurement is 5.07 dB. (6-18GHz)
 Expanded uncertainty (k=2) of radiated emission measurement is 5.19 dB. (18-26GHz)
 Expanded uncertainty (k=2) of radiated emission measurement is 5.14 dB. (26-40GHz)

2.5.2 Operating Environment

Temperature : 25 degree C

Humidity : 65 %RH

Atmospheric Pressure : 996 mBar

2.5.3 Measurement Level Calculation

Correction Factor = Antenna Factor + Cable loss- Amplifier Gain

Measurement Level = Reading Level + Correction Factor

Over (Margin) = Measurement Level – Limit

Unless otherwise stated the results shown in this test report refer only to the sample(s) tested and such sample(s) are retained for 90 days only.

除非另有說明，此報告結果僅對測試之樣品負責，同時此樣品僅保留90天。本報告未經本公司書面許可，不可部份複製。

This document is issued by the Company subject to its General Conditions of Service printed overleaf, available on request or accessible at www.sgs.com/terms_and_conditions.htm and for electronic format documents, subject to Terms and Conditions for Electronic Documents at www.sgs.com/terms_e-document.htm. Attention is drawn to the limitation of liability, indemnification and jurisdiction issues defined therein. Any holder of this document is advised that information contained hereon reflects the Company's findings at the time of its intervention only and within the limits of Client's instructions, if any. The Company's sole responsibility is to its Client and this document does not exonerate parties to a transaction from exercising all their rights and obligations under the transaction documents. This document cannot be reproduced except in full, without prior written approval of the Company. Any unauthorized alteration, forgery or falsification of the content or appearance of this document is unlawful and offenders may be prosecuted to the fullest extent of the law.

SGS Taiwan Ltd.

No.134,Wu Kung Road, New Taipei Industrial Park, Wuku District, New Taipei City, Taiwan 24803/新北市五股區新北產業園區五工路 134 號

台灣檢驗科技股份有限公司

t (886-2) 2299-3279

f (886-2) 2298-0488

www.tw.sgs.com

Member of SGS Group



2.5.4 Measurement Data

Below 1GHz

Model No.:F-03K

Mode_8_H

Site: SGS 10m Chamber Polarization: *Horizontal* Temperature: 25 °C
 Limit: CISPR22 Class B 10M Radiation Power: From System Humidity: 65 %
 Mode: Mode_8 Distance: 10m
 Note:

Radiated Emission



No.	Mk.	Freq. MHz	Reading Level dBuV	Correct Factor dB/m	Measure- ment dBuV/m	Limit dBuV/m	Over dB	Detector	Comment
1		124.5800	32.57	-12.94	19.63	30.00	-10.37	QP	
2	*	171.3100	36.89	-11.35	25.54	30.00	-4.46	QP	
3		239.9600	42.29	-12.80	29.49	37.00	-7.51	QP	
4		480.0120	35.41	-5.54	29.87	37.00	-7.13	QP	
5		765.2600	23.97	-0.41	23.56	37.00	-13.44	QP	
6		983.5100	24.13	1.63	25.76	37.00	-11.24	QP	

*:Maximum data x:Over limit !:over margin

File :E1-2017-B0020\Data :#52

Page: 1

Unless otherwise stated the results shown in this test report refer only to the sample(s) tested and such sample(s) are retained for 90 days only.

除非另有說明，此報告結果僅對測試之樣品負責，同時此樣品僅保留90天。本報告未經本公司書面許可，不可部份複製。

This document is issued by the Company subject to its General Conditions of Service printed overleaf, available on request or accessible at www.sgs.com/terms_and_conditions.htm and for electronic format documents, subject to Terms and Conditions for Electronic Documents at www.sgs.com/terms_e-document.htm. Attention is drawn to the limitation of liability, indemnification and jurisdiction issues defined therein. Any holder of this document is advised that information contained hereon reflects the Company's findings at the time of its intervention only and within the limits of Client's instructions, if any. The Company's sole responsibility is to its Client and this document does not exonerate parties to a transaction from exercising all their rights and obligations under the transaction documents. This document cannot be reproduced except in full, without prior written approval of the Company. Any unauthorized alteration, forgery or falsification of the content or appearance of this document is unlawful and offenders may be prosecuted to the fullest extent of the law.

Mode_8_V

Site: SGS 10m Chamber Polarization: **Vertical** Temperature: 25 °C
 Limit: CISPR22 Class B 10M Radiation Power: From System Humidity: 65 %
 Mode: Mode_8 Distance: 10m
 Note:

Radiated Emission



No.	Mk.	Freq. MHz	Reading Level dBuV	Correct Factor dB/m	Measure- ment dBuV/m	Limit dBuV/m	Over dB	Detector	Comment
1	*	170.6500	30.26	-11.84	18.42	30.00	-11.58	QP	
2		182.2900	30.56	-12.75	17.81	30.00	-12.19	QP	
3		245.3400	33.59	-12.55	21.04	37.00	-15.96	QP	
4		764.2900	23.17	-0.17	23.00	37.00	-14.00	QP	
5		868.0800	23.22	0.29	23.51	37.00	-13.49	QP	
6		943.7400	23.17	1.05	24.22	37.00	-12.78	QP	

*:Maximum data x:Over limit !:over margin

File :E1-2017-B0020>Data :#51

Page: 1

Unless otherwise stated the results shown in this test report refer only to the sample(s) tested and such sample(s) are retained for 90 days only.

除非另有說明，此報告結果僅對測試之樣品負責，同時此樣品僅保留90天。本報告未經本公司書面許可，不可部份複製。

This document is issued by the Company subject to its General Conditions of Service printed overleaf, available on request or accessible at www.sgs.com/terms_and_conditions.htm and for electronic format documents, subject to Terms and Conditions for Electronic Documents at www.sgs.com/terms_e-document.htm. Attention is drawn to the limitation of liability, indemnification and jurisdiction issues defined therein. Any holder of this document is advised that information contained hereon reflects the Company's findings at the time of its intervention only and within the limits of Client's instructions, if any. The Company's sole responsibility is to its Client and this document does not exonerate parties to a transaction from exercising all their rights and obligations under the transaction documents. This document cannot be reproduced except in full, without prior written approval of the Company. Any unauthorized alteration, forgery or falsification of the content or appearance of this document is unlawful and offenders may be prosecuted to the fullest extent of the law.



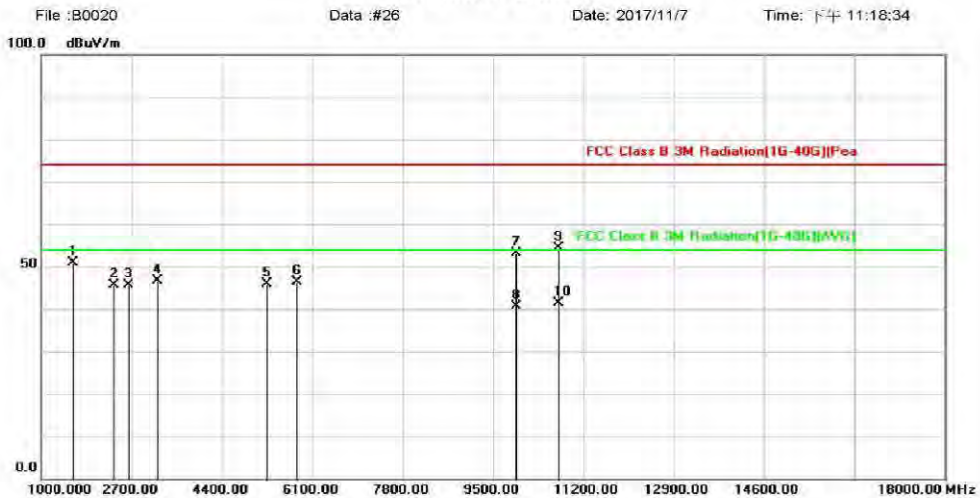
Above 1GHz

Model No.:F-03K

Mode_8_H

Site: SGS 966 Chamber A
 Limit: FCC Class B 3M Radiation(1G-40G)(Pea
 Mode: Mode_8
 Note:
 Polarization: *Horizontal*
 Power: AC 120V/60Hz
 Distance:
 Temperature: 21 ℃
 Humidity: 61 %

Radiated Emission



No.	Mk.	Freq. MHz	Reading Level dBuV	Correct Factor dB/m	Measurement dBuV/m	Limit dBuV/m	Over dB	Detector	Comment
1		1595.000	66.58	-15.70	50.88	74.00	-23.12	peak	
2		2360.000	58.80	-13.17	45.63	74.00	-28.37	peak	
3		2632.000	58.03	-12.33	45.70	74.00	-28.30	peak	
4		3176.000	57.93	-11.19	46.74	74.00	-27.26	peak	
5		5250.000	52.58	-6.75	45.83	74.00	-28.17	peak	
6		5811.000	52.08	-5.75	46.33	74.00	-27.67	peak	
7		9942.000	52.89	0.15	53.04	74.00	-20.96	peak	
8		9942.000	40.37	0.15	40.52	54.00	-13.48	AVG	
9		10741.000	52.46	1.87	54.33	74.00	-19.67	peak	
10	*	10741.000	39.46	1.87	41.33	54.00	-12.67	AVG	

*:Maximum data x:Over limit !:over margin

File :B0020\Data #26

Page: 1

Unless otherwise stated the results shown in this test report refer only to the sample(s) tested and such sample(s) are retained for 90 days only.

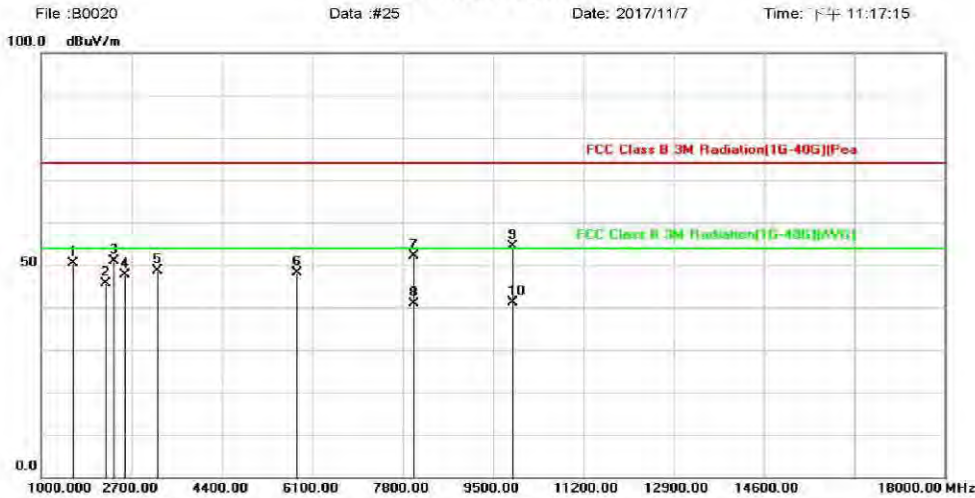
除非另有說明，此報告結果僅對測試之樣品負責，同時此樣品僅保留90天。本報告未經本公司書面許可，不可部份複製。

This document is issued by the Company subject to its General Conditions of Service printed overleaf, available on request or accessible at www.sgs.com/terms_and_conditions.htm and for electronic format documents, subject to Terms and Conditions for Electronic Documents at www.sgs.com/terms_e-document.htm. Attention is drawn to the limitation of liability, indemnification and jurisdiction issues defined therein. Any holder of this document is advised that information contained hereon reflects the Company's findings at the time of its intervention only and within the limits of Client's instructions, if any. The Company's sole responsibility is to its Client and this document does not exonerate parties to a transaction from exercising all their rights and obligations under the transaction documents. This document cannot be reproduced except in full, without prior written approval of the Company. Any unauthorized alteration, forgery or falsification of the content or appearance of this document is unlawful and offenders may be prosecuted to the fullest extent of the law.

Mode_8_V

Site: SGS 966 Chamber A Polarization: **Vertical** Temperature: 21 °C
 Limit: FCC Class B 3M Radiation(1G-40G)(Pea) Power: AC 120V/60Hz Humidity: 61 %
 Mode: Mode_8 Distance:
 Note:

Radiated Emission



No.	Mk.	Freq. MHz	Reading Level dBuV	Correct Factor dB/m	Measure- ment dBuV/m	Limit dBuV/m	Over dB	Detector	Comment
1		1595.000	66.04	-15.70	50.34	74.00	-23.66	peak	
2		2207.000	59.24	-13.69	45.55	74.00	-28.45	peak	
3		2377.000	64.05	-13.11	50.94	74.00	-23.06	peak	
4		2581.000	60.00	-12.47	47.53	74.00	-26.47	peak	
5		3193.000	59.92	-11.18	48.74	74.00	-25.26	peak	
6		5811.000	53.86	-5.75	48.11	74.00	-25.89	peak	
7		8004.000	51.94	0.30	52.24	74.00	-21.76	peak	
8		8004.000	40.53	0.30	40.83	54.00	-13.17	AVG	
9		9874.000	54.29	0.09	54.38	74.00	-19.62	peak	
10	*	9874.000	41.13	0.09	41.22	54.00	-12.78	AVG	

*:Maximum data x:Over limit !:over margin

File :B0020\Data :#25

Page: 1

The frequency band during 18GHz till 26.5 GHz that was not reported was verified with no extra obvious finding except ambient signals.

Unless otherwise stated the results shown in this test report refer only to the sample(s) tested and such sample(s) are retained for 90 days only.
 除非另有說明，此報告結果僅對測試之樣品負責，同時此樣品僅保留90天。本報告未經本公司書面許可，不可部份複製。

This document is issued by the Company subject to its General Conditions of Service printed overleaf, available on request or accessible at www.sgs.com/terms_and_conditions.htm and for electronic format documents, subject to Terms and Conditions for Electronic Documents at www.sgs.com/terms_e-document.htm. Attention is drawn to the limitation of liability, indemnification and jurisdiction issues defined therein. Any holder of this document is advised that information contained hereon reflects the Company's findings at the time of its intervention only and within the limits of Client's instructions, if any. The Company's sole responsibility is to its Client and this document does not exonerate parties to a transaction from exercising all their rights and obligations under the transaction documents. This document cannot be reproduced except in full, without prior written approval of the Company. Any unauthorized alteration, forgery or falsification of the content or appearance of this document is unlawful and offenders may be prosecuted to the fullest extent of the law.