

## **APPENDIX 4: Photographs of test setup**

### **1. Photographs of EUT**

Top



Bottom



Front



Rear



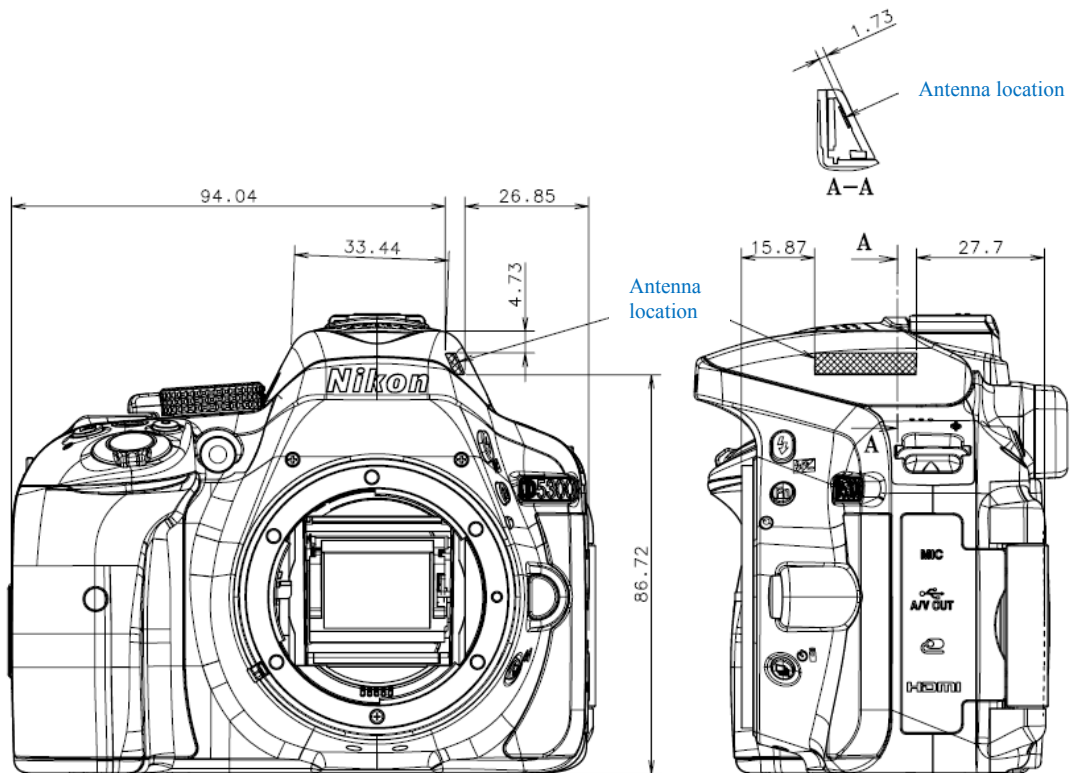
Left Side



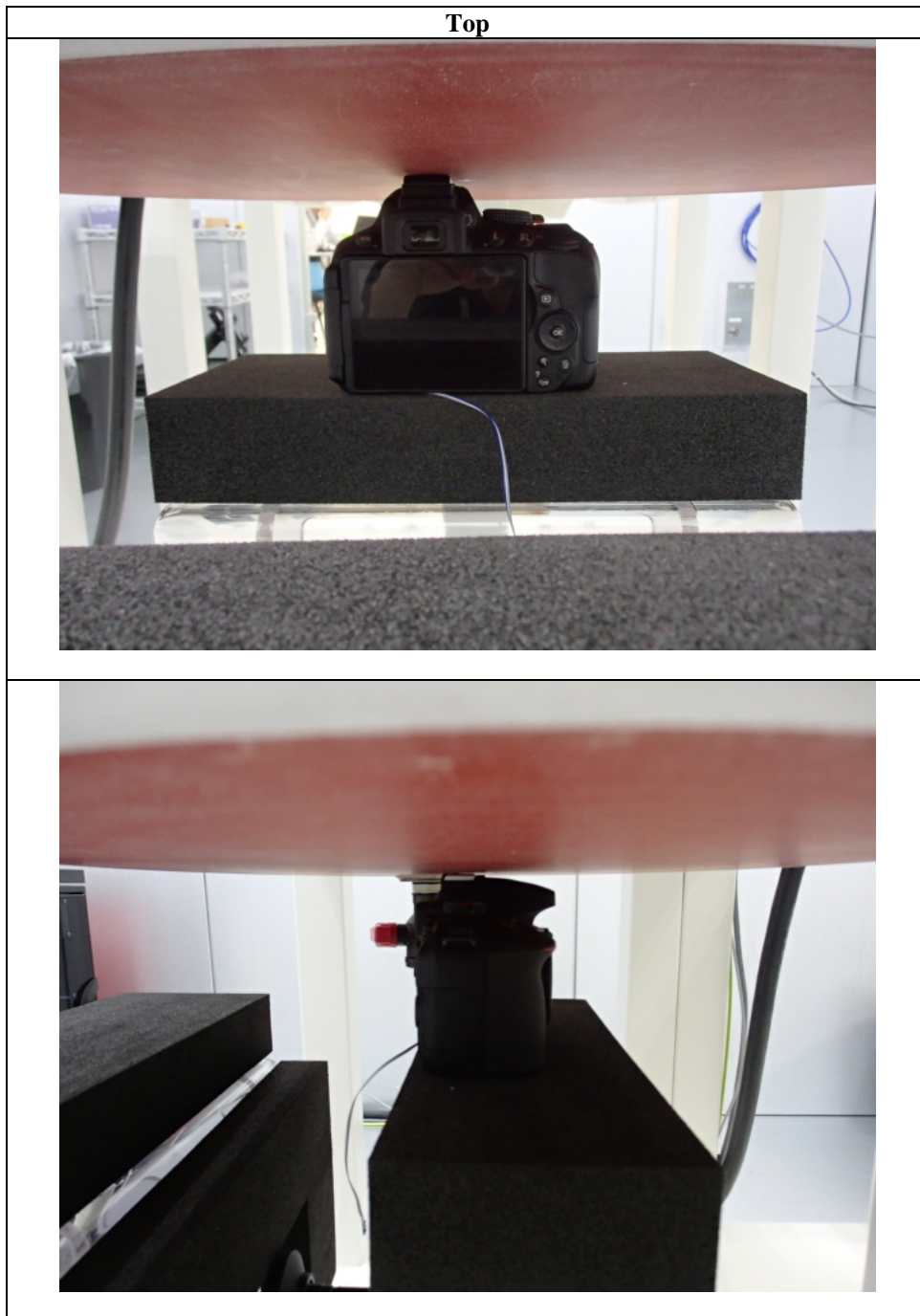
Right side



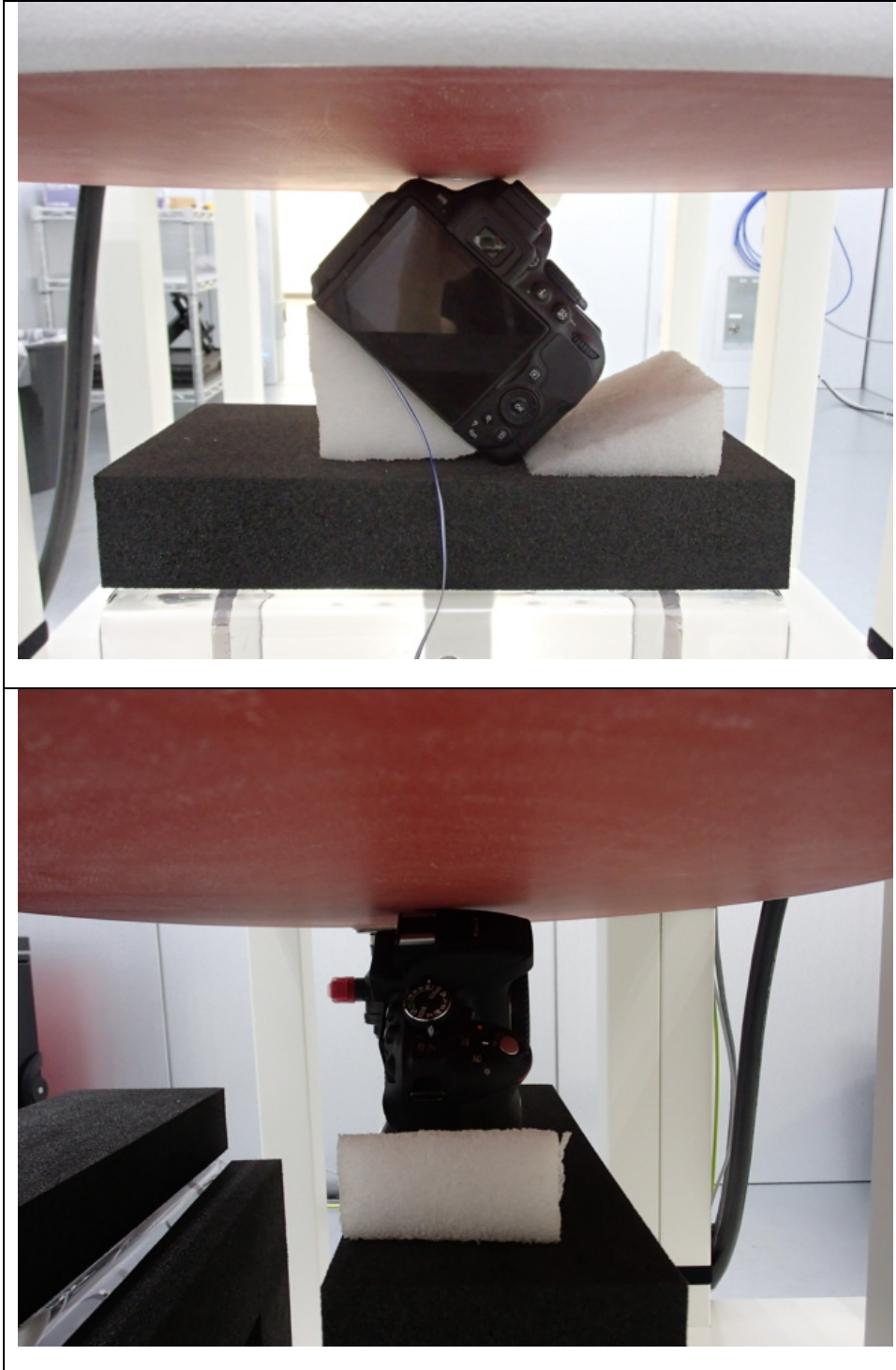
## 2. Antenna position



### 3. Photographs of setup



**Top + Left corner**



**End of Report**