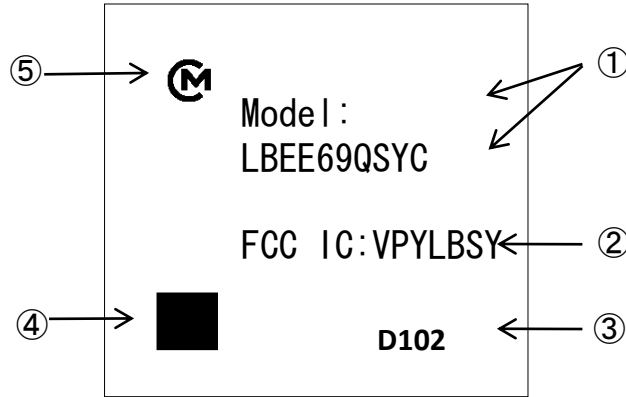


FCC Label Example



Item	①	②	③	④	⑤
Display item	TYPE	Attestation ID etc.	CODE	Direction display	Name of manufacturer
Content	LBEE69QSYC		D102	■	Ⓜ