

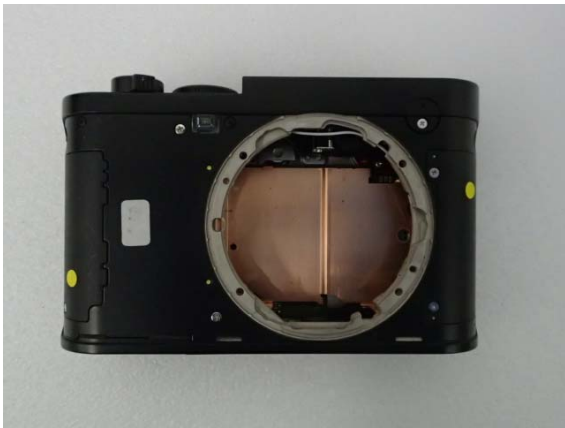
APPENDIX 4: Photographs of test setup

Photographs of Host device

<Information of the Host device>

Description	Digital Camera
Model Number	6506
Serial Number	115
Rating	Battery: Typ. DC 7.2 V, 16 mAh (M/N: BP-SCL6)
Size of Host device	130 x 80 x 92.85 mm
Receipt Date of Sample	January 26, 2023

Photograph A1: Front



Photograph A4: Rear



Photograph A2: Right



Photograph A5: Left



Photograph A3: Top

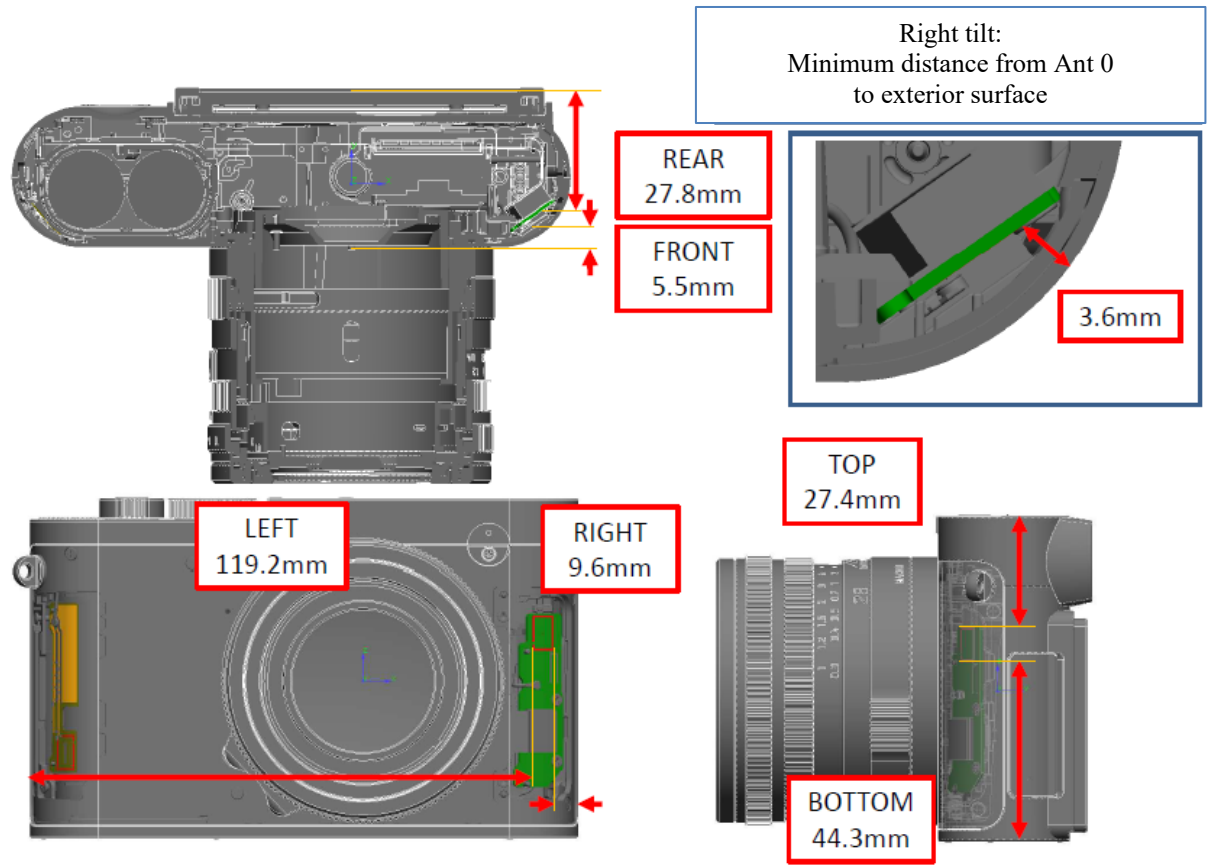
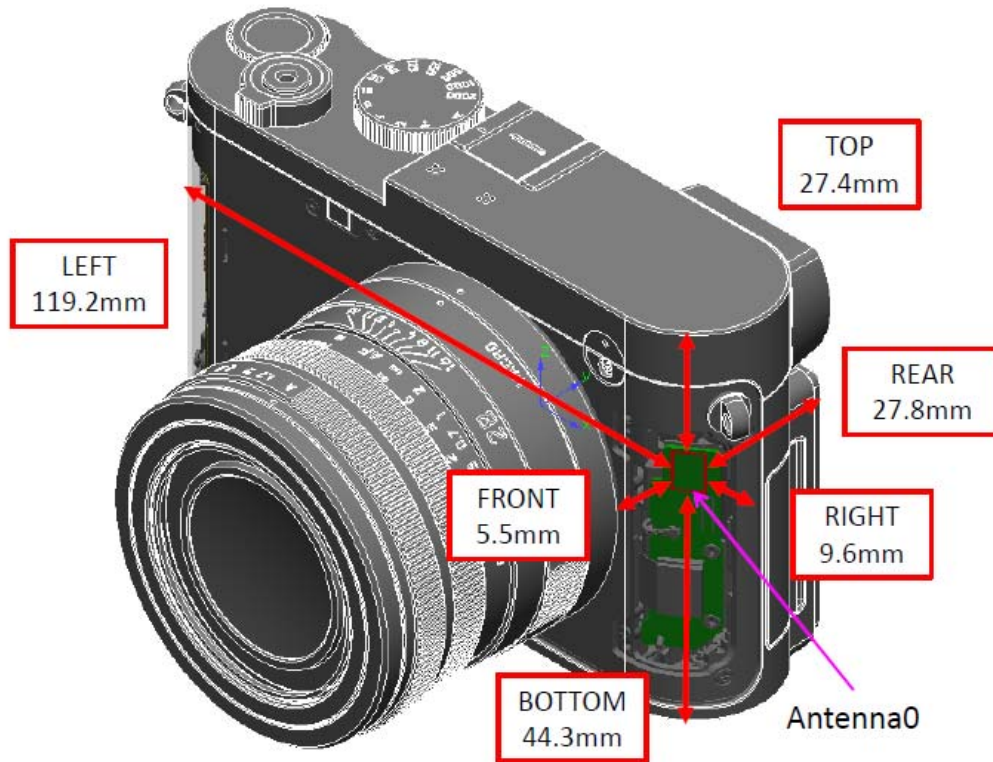


Photograph A6: Bottom

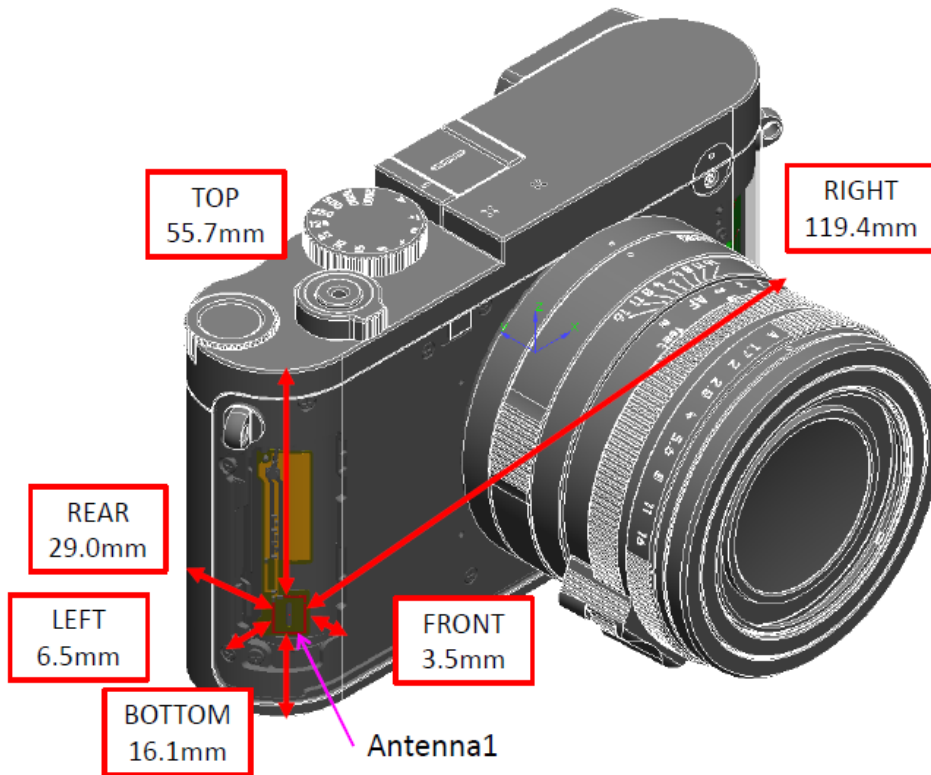


Antenna position

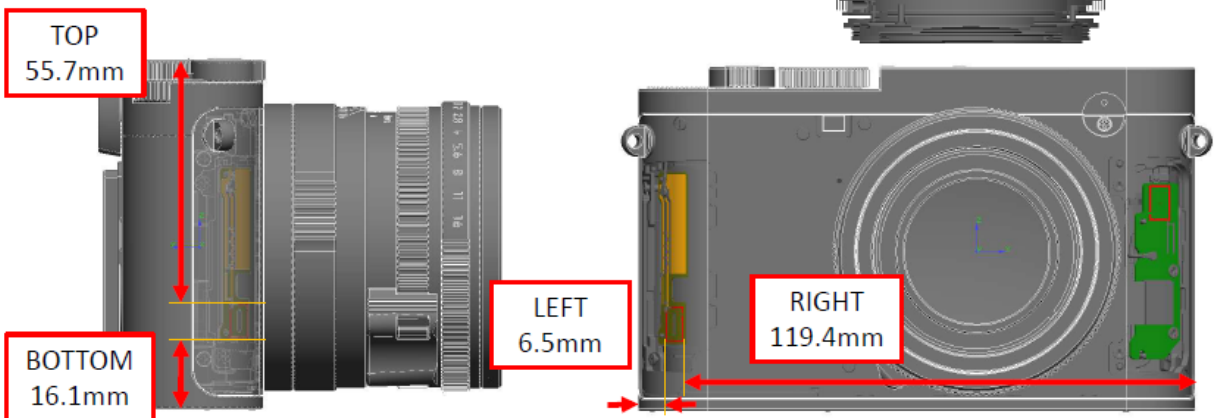
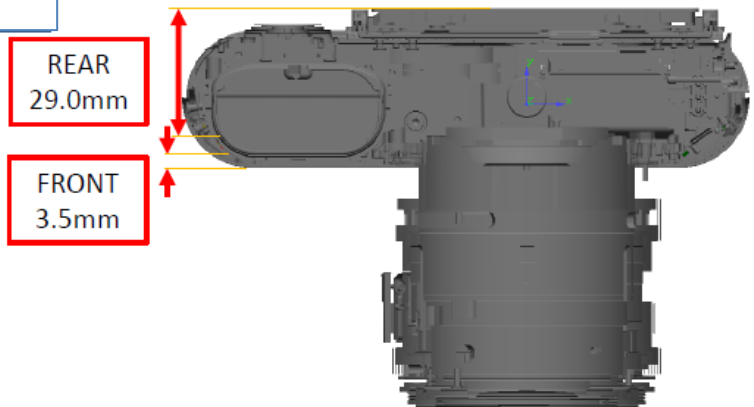
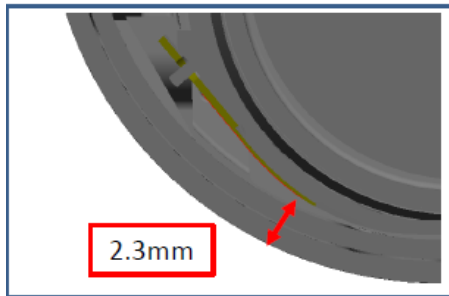
Ant 0



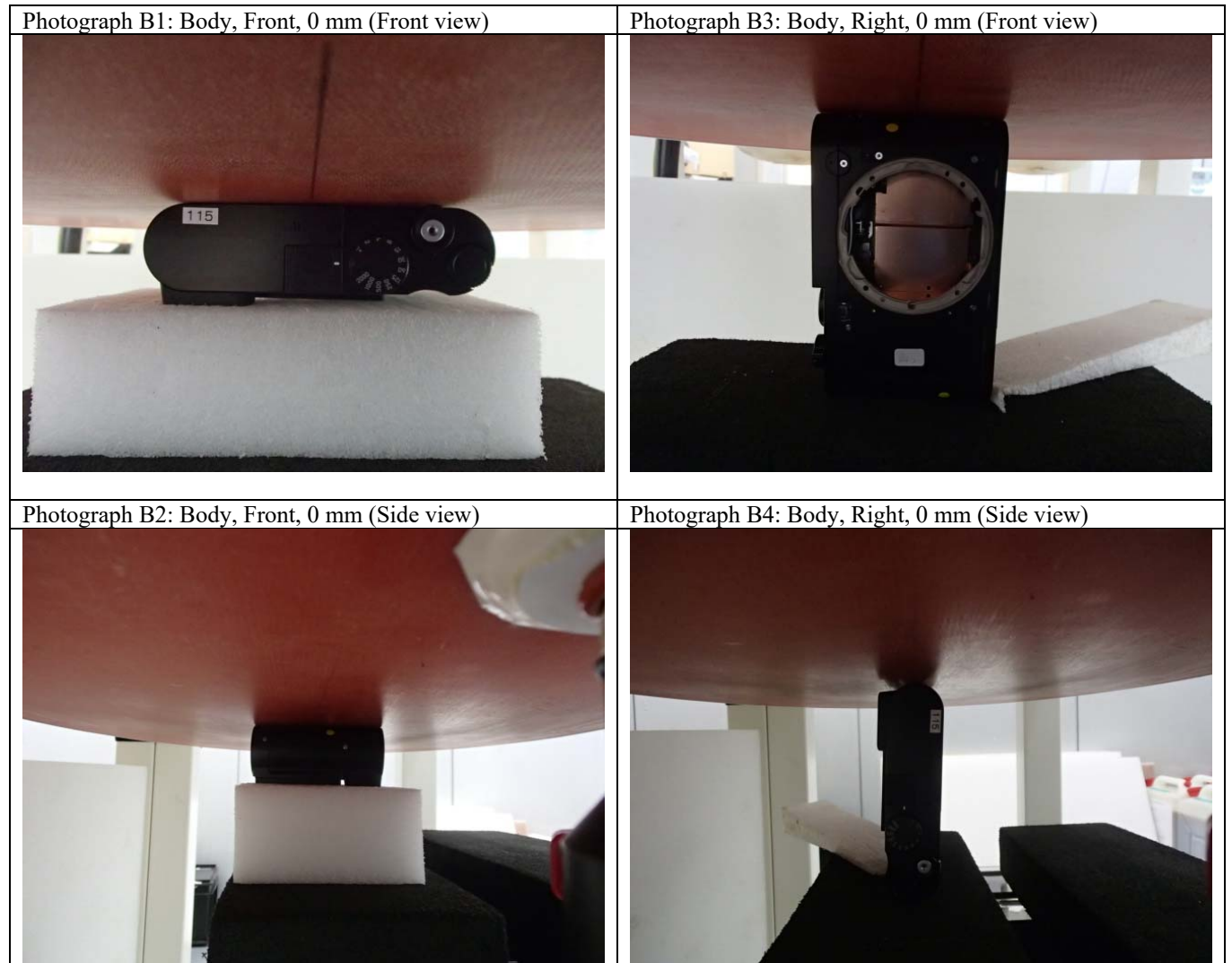
Ant 1



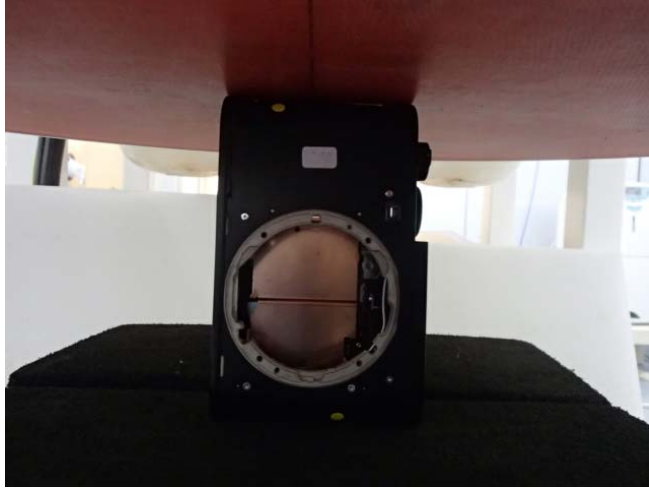
Left tilt:
Minimum distance from Ant 1
to exterior surface



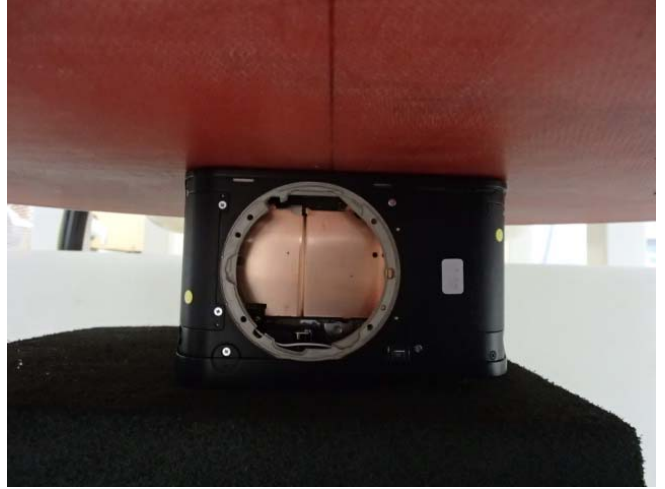
Photographs of setup



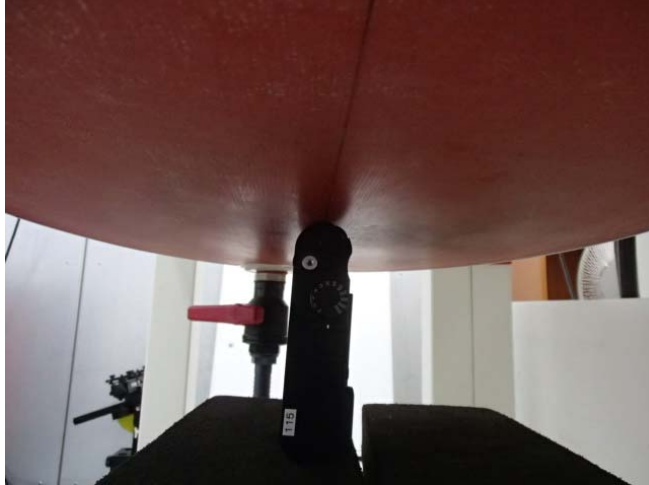
Photograph B5: Body, Left, 0 mm (Front view)



Photograph B7: Body, Bottom, 0 mm (Front view)



Photograph B6: Body, Left, 0 mm (Side view)



Photograph B8: Body, Bottom, 0 mm (Side view)



Photograph B9: Body, Right tilt, 0 mm (Front view)



Photograph B11: Body, Left tilt, 0 mm (Front view)



Photograph B10: Body, Right tilt, 0 mm (Side view)



Photograph B12: Body, Left tilt, 0 mm (Side view)



End of Report