

## Appendix D. Photographs

### D.1. Host Platform and Antenna Placement



Figure D-1 Front View



Figure D-2 Back View



Figure D-3 Left View



Figure D-4 Right View



Figure D-5 Top View



Figure D-6 Bottom View

D.2. Host Platform Descriptions, Antenna Placement, RF Exposure Conditions, and SAR Test Exclusion

The following information is eligible for Short-Term Confidentiality together with internal and external photos.

Host Platform Descriptions

Host Platform	
*The DUT is installed in this host.	
Type of Equipment	Digital Camera
Model No.	1VY003
Test Sample Condition	<input type="checkbox"/> Prototype <input checked="" type="checkbox"/> Pre-production <input type="checkbox"/> Mass-production * Not for sale: The sample is equivalent to mass-production items. * No modification by the test lab.
Serial No.	0000045
Rating	Li-ion Battery DC 7.2 V/ 2280 mAh <input type="checkbox"/> Not user accessible.
Head/Body-Worn Accessories (supplied with the device)	n/a
Device Dimension (W x H x D)	Refer to Figure D-7
Device Category	Portable
Exposure Category	General population/ Uncontrolled environment

Antenna Placement

Antenna	Minimum Distance from Edges or Sides of Host Platform (mm)								
	Front	Front-Right	Back	Left	Right	Top	Top-Left	Top-Right	Bottom
Chain0	7.15	≈ 7.15	18.95	35.1	77.7	2.75	≈ 2.75	47.33	74.35
Chain1(2.4 GHz)	3.68	≈ 3.68	65.72	15.0	111.1	37.16	52.15	≈ 52.15	12.9
Chain1(5 GHz)	5.6	≈ 5.6	14.8	94.5	32.4	4.6	47.33	2.9	83.4

\* Please refer to Figure D-7 for more details.

RF Exposure Conditions

Wireless Technologies	RF Exposure Conditions	User-to-Host Distance (mm)	Test Position	Host-to-Ant. Distance (mm)			SAR Required	Note(s)
				Chain 0	Chain 1 (2.4GHz)	Chain 1 (5 GHz)		
Wi-Fi/ Bluetooth	Body-Worn	0	Front	7.15	3.68	5.6	Yes	
			Front-Right	≈ 7.15	≈ 3.68	≈ 5.6	Yes	
			Back	18.95	65.72	14.8	Yes	
			Left	35.1	15.0	94.5	Yes	
			Right	77.7	111.1	32.4	Yes	
			Top	2.75	37.16	4.6	N/A	1
			Top-Left	≈ 2.75	52.15	47.33	Yes	1
			Top-Right	47.33	≈ 52.15	2.9	Yes	1
			Bottom	74.35	12.9	83.4	Yes	

Note(s):  
 1. Due to the shape of the protruding portion of the top surface of the host platform, SAR was evaluated with the “Top-Left” and “Top-Right” test position, instead of the “Top” test position. Please refer to Appendix D for more details.

## Body-Worn SAR (1-g SAR) Test Exclusion as per KDB 447498 D01 - Chain0

Freq. Band	Freq. (MHz)	Test Position	Host-to-Ant Distance (mm)	User-to-Ant Distance (mm)	Min. Test Sep. Distance (mm)	Max. Possible Power				Exclusion Threshold	SAR Required (> 3.0)
						Chain0 (dBm)	Chain1 (dBm)	Total (mW)	rounded (mW)		
Wi-Fi 2.4 GHz (Chain0)	2450	Front	7.15	7.15	7	9.5	9.5	17.8	18	4.0	Yes
	2450	Front-Right	7.15	7.15	7	9.5	9.5	17.8	18	4.0	Yes
	2450	Back	18.95	18.95	19	9.5	9.5	17.8	18	1.5	No
	2450	Left	35.1	35.1	35	9.5	9.5	17.8	18	0.8	No
	2450	Right	77.7	77.7	78	9.5	9.5	17.8	18	0.4	No
	2450	Top-Left	2.75	2.75	5	9.5	9.5	17.8	18	5.6	Yes
	2450	Top-Right	47.33	47.33	47	9.5	9.5	17.8	18	0.6	No
Wi-Fi 5 GHz (Chain0)	5800	Front	7.15	7.15	7	11.5	11.5	28.3	28	9.6	Yes
	5800	Front-Right	7.15	7.15	7	11.5	11.5	28.3	28	9.6	Yes
	5800	Back	18.95	18.95	19	11.5	11.5	28.3	28	3.5	Yes
	5800	Left	35.1	35.1	35	11.5	11.5	28.3	28	1.9	No
	5800	Right	77.7	77.7	78	11.5	11.5	28.3	28	0.9	No
	5800	Top-Left	2.75	2.75	5	11.5	11.5	28.3	28	13.5	Yes
	5800	Top-Right	47.33	47.33	47	11.5	11.5	28.3	28	1.4	No
	5800	Bottom	74.35	74.35	74	11.5	11.5	28.3	28	0.9	No
Bluetooth	2450	Front	7.15	7.15	7	10.1	-	10.2	10	2.2	No
	2450	Front-Right	7.15	7.15	7	10.1	-	10.2	10	2.2	No
	2450	Back	18.95	18.95	19	10.1	-	10.2	10	0.8	No
	2450	Left	35.1	35.1	35	10.1	-	10.2	10	0.4	No
	2450	Right	77.7	77.7	78	10.1	-	10.2	10	0.2	No
	2450	Top-Left	2.75	2.75	5	10.1	-	10.2	10	3.1	Yes
	2450	Top-Right	47.33	47.33	47	10.1	-	10.2	10	0.3	No
	2450	Bottom	74.35	74.35	74	10.1	-	10.2	10	0.2	No

## Body-Worn SAR (1-g SAR) Test Exclusion as per KDB 447498 D01 - Chain1(2.4GHz)

Freq. Band	Freq. (MHz)	Test Position	Host-to-Ant Distance (mm)	User-to-Ant Distance (mm)	Min. Test Sep. Distance (mm)	Max. Possible Power				Exclusion Threshold	SAR Required (> 3.0)
						Chain0 (dBm)	Chain1 (dBm)	Total (mW)	rounded (mW)		
Wi-Fi 2.4 GHz (Chain1)	2450	Front	3.68	3.68	5	9.5	9.5	17.8	18	5.6	Yes
	2450	Front-Right	3.68	3.68	5	9.5	9.5	17.8	18	5.6	Yes
	2450	Back	65.72	65.72	66	9.5	9.5	17.8	18	0.4	No
	2450	Left	15.0	15.0	15	9.5	9.5	17.8	18	1.9	No
	2450	Right	111.1	111.1	111	9.5	9.5	17.8	18	0.3	No
	2450	Top-Left	52.15	52.15	52	9.5	9.5	17.8	18	0.5	No
	2450	Top-Right	52.15	52.15	52	9.5	9.5	17.8	18	0.5	No
	2450	Bottom	12.9	12.9	13	9.5	9.5	17.8	18	2.2	No

Body-Worn SAR (1-g SAR) Test Exclusion as per KDB 447498 D01 - Chain1(5GHz)

Freq. Band	Freq. (MHz)	Test Position	Host-to-Ant Distance (mm)	User-to-Ant Distance (mm)	Min. Test Sep. Distance (mm)	Max. Possible Power				Exclusion Threshold	SAR Required (> 3.0)
						Chain0 (dBm)	Chain1 (dBm)	(mW)	rounded (mW)		
Wi-Fi 5 GHz (Chain1)	5800	Front	5.6	5.6	6	11.5	11.5	28.3	28	11.2	Yes
	5800	Front-Right	5.6	5.6	6	11.5	11.5	28.3	28	11.2	Yes
	5800	Back	14.8	14.8	15	11.5	11.5	28.3	28	4.5	Yes
	5800	Left	94.5	94.5	95	11.5	11.5	28.3	28	0.7	No
	5800	Right	32.4	32.4	32	11.5	11.5	28.3	28	2.1	No
	5800	Top-Left	47.33	47.33	47	11.5	11.5	28.3	28	1.4	No
	5800	Top-Right	2.9	2.9	5	11.5	11.5	28.3	28	13.5	Yes
5800	Bottom	83.4	83.4	83	11.5	11.5	28.3	28	0.8	No	

Unit : mm

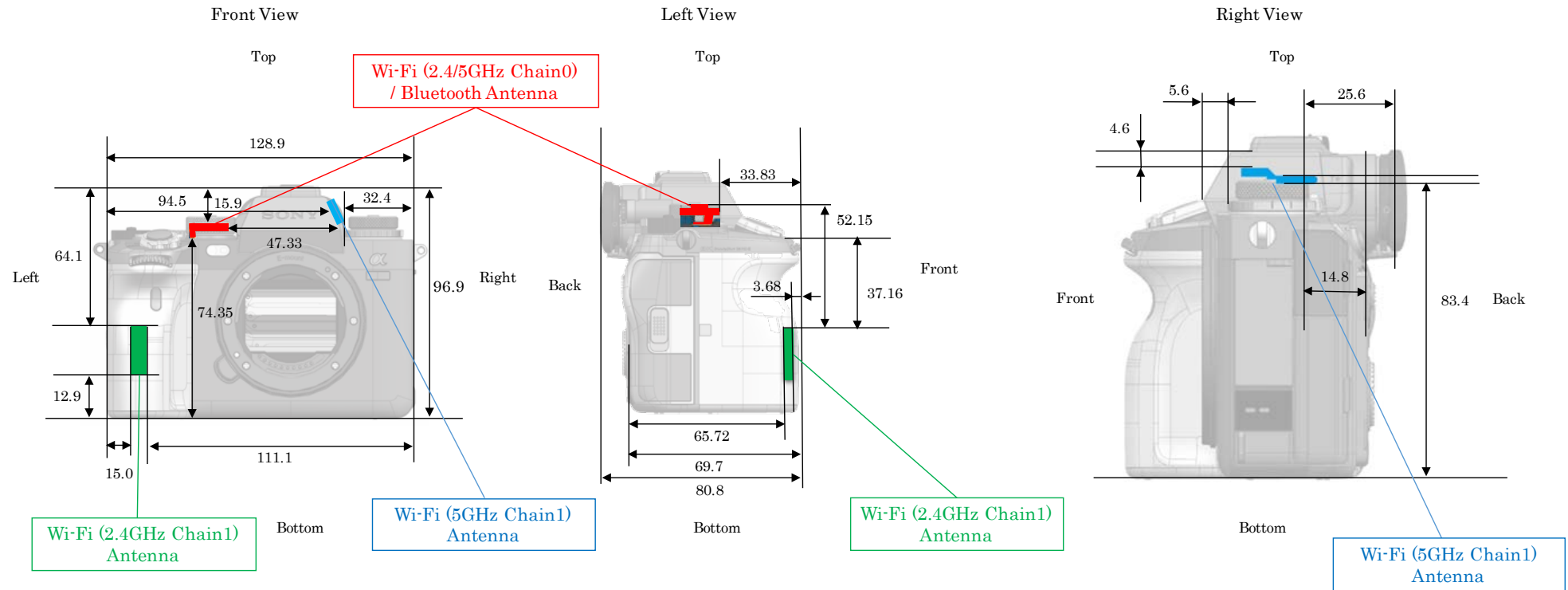


Figure D-7 Antenna Dimensions and Separation Distances

Unit : mm

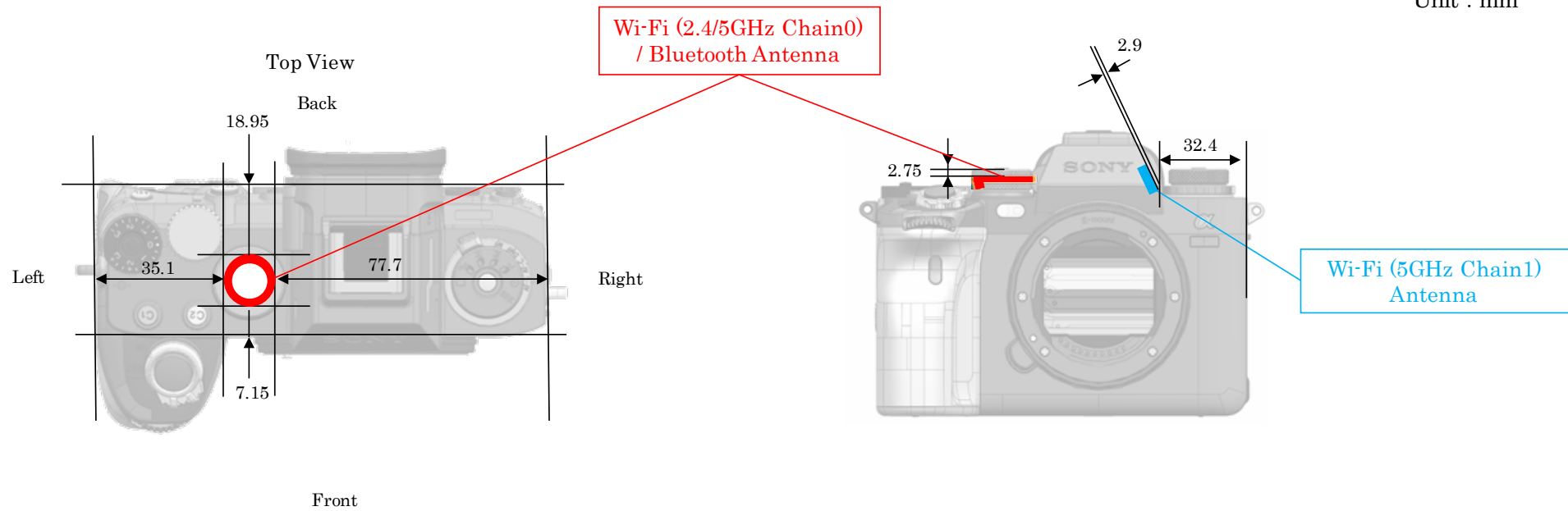


Figure D-7 Antenna Dimensions and Separation Distances (Continued)



D.3. Body-Worn Exposure Conditions

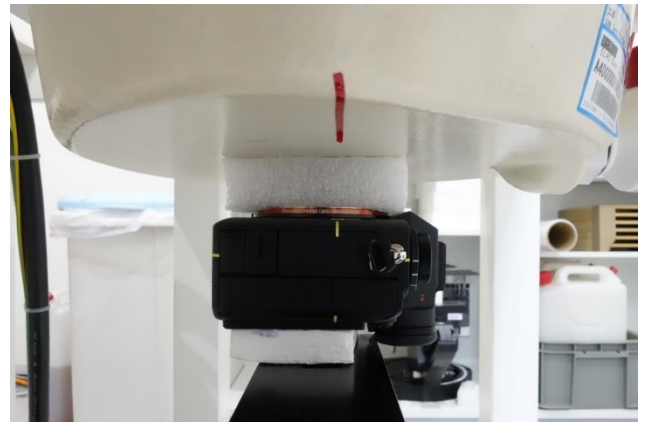


Figure D-8

Front

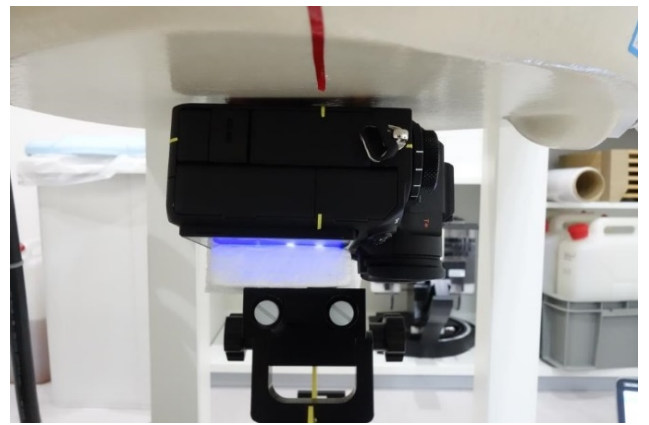


Figure D-9

Front-Right

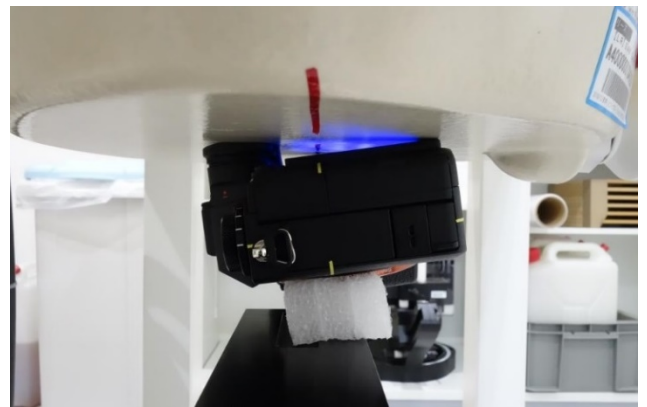


Figure D-10 Back



Figure D-11 Top-Left



Figure D-12 Top-Right