

Appendix D. Photographs

D.1. Host Platform and Antenna Placement



Figure D-1 Front View



Figure D-2 Back View



Figure D-3 Left View



Figure D-4 Right View



Figure D-5 Top View



Figure D-6 Bottom View

D.2. Host Platform Descriptions, Antenna Placement, RF Exposure Conditions, and SAR Test Exclusion

The following information is eligible for Short-Term Confidentiality together with internal and external photos.

Host Platform Descriptions

Host Platform *The DUT is installed in this host.	
Type of Equipment	Digital Camera
Model No.	1VY501
Test Sample Condition	<input type="checkbox"/> Prototype <input checked="" type="checkbox"/> Pre-production <input type="checkbox"/> Mass-production
	* Not for sale: The sample is equivalent to mass-production items. * No modification by the test lab.
Serial No.	9000106
Rating	Li-ion Battery DC 14.4 V/ 2320 mAh <input type="checkbox"/> Not user accessible.
Head/Body-Worn Accessories (supplied with the device)	n/a
Device Dimension (W x H x D)	Refer to Figure D-7
Device Category	Portable
Exposure Category	General population/ Uncontrolled environment

Antenna Placement

Antenna	Minimum Distance from Edges or Sides of Host Platform (mm)							
	Front	Front-Tilt	Back	Left	Right	Right-Tilt	Top	Bottom
Chain0	10.8	≈ 10.8	119.8	2.8	96.1	116.0	79.1	13.3
Chain1	74.3	≈ 74.3	45.5	90.5	2.0	≈ 2.0	8.2	102.4

* Please refer to Figure D-7 for more details.

RF Exposure Conditions

Wireless Technologies	RF Exposure Conditions	User-to-DUT Distance (mm)	Test Position	Host-to-Ant. Distance (mm)		SAR Required	Note(s)
				Chain 0	Chain 1		
Wi-Fi	Body-Worn	0	Front	10.8	74.3	Yes	
			Front-Tilt	≈ 10.8	≈ 74.3	Yes	
			Back	119.8	45.5	Yes	
			Left	2.8	90.5	Yes	
			Right	96.1	2.0	Yes	
			Right-Tilt	116.0	≈ 2.0	Yes	
			Top	79.1	8.2	Yes	
Bottom	13.3	102.4	Yes				

Body-Worn SAR (1-g SAR) Test Exclusion as per KDB 447498 D01 - Chain0

Freq. Band	Freq. (MHz)	Test Position	Host-to-Ant Distance (mm)	User-to-Ant Distance (mm)	Min. Test Sep. Distance (mm)	Max. Possible Power				Exclusion Threshold	SAR Required (> 3.0)
						Chain0 (dBm)	Chain1 (dBm)	Total (mW)	rounded (mW)		
Wi-Fi 2.4 GHz (Chain0)	2450	Front	10.8	10.8	11	9.5	9.5	17.8	18	2.6	No
	2450	Front-Tilt	10.8	10.8	11	9.5	9.5	17.8	18	2.6	No
	2450	Back	119.8	119.8	120	9.5	9.5	17.8	18	0.2	No
	2450	Left	2.8	2.8	5	9.5	9.5	17.8	18	5.6	Yes
	2450	Right	96.1	96.1	96	9.5	9.5	17.8	18	0.3	No
	2450	Right-Tilt	116.0	116.0	116	9.5	9.5	17.8	18	0.2	No
	2450	Top	79.1	79.1	79	9.5	9.5	17.8	18	0.4	No
	2450	Bottom	13.3	13.3	13	9.5	9.5	17.8	18	2.2	No
Wi-Fi 5 GHz (Chain0)	5800	Front	10.8	10.8	11	11.5	11.5	28.3	28	6.1	Yes
	5800	Front-Tilt	10.8	10.8	11	11.5	11.5	28.3	28	6.1	Yes
	5800	Back	119.8	119.8	120	11.5	11.5	28.3	28	0.6	No
	5800	Left	2.8	2.8	5	11.5	11.5	28.3	28	13.5	Yes
	5800	Right	96.1	96.1	96	11.5	11.5	28.3	28	0.7	No
	5800	Right-Tilt	116.0	116.0	116	11.5	11.5	28.3	28	0.6	No
	5800	Top	79.1	79.1	79	11.5	11.5	28.3	28	0.9	No
	5800	Bottom	13.3	13.3	13	11.5	11.5	28.3	28	5.2	Yes

Body-Worn SAR (1-g SAR) Test Exclusion as per KDB 447498 D01 - Chain1

Freq. Band	Freq. (MHz)	Test Position	Host-to-Ant Distance (mm)	User-to-Ant Distance (mm)	Min. Test Sep. Distance (mm)	Max. Possible Power				Exclusion Threshold	SAR Required (> 3.0)
						Chain0 (dBm)	Chain1 (dBm)	Total (mW)	rounded (mW)		
Wi-Fi 2.4 GHz (Chain1)	2450	Front	74.3	74.3	74	9.5	9.5	17.8	18	0.4	No
	2450	Front-Tilt	74.3	74.3	74	9.5	9.5	17.8	18	0.4	No
	2450	Back	45.5	45.5	46	9.5	9.5	17.8	18	0.6	No
	2450	Left	90.5	90.5	91	9.5	9.5	17.8	18	0.3	No
	2450	Right	2.0	2.0	5	9.5	9.5	17.8	18	5.6	Yes
	2450	Right-Tilt	2.0	2.0	5	9.5	9.5	17.8	18	5.6	Yes
	2450	Top	8.2	8.2	8	9.5	9.5	17.8	18	3.5	Yes
	2450	Bottom	102.4	102.4	102	9.5	9.5	17.8	18	0.3	No
Wi-Fi 5 GHz (Chain1)	5800	Front	74.3	74.3	74	11.5	11.5	28.3	28	0.9	No
	5800	Front-Tilt	74.3	74.3	74	11.5	11.5	28.3	28	0.9	No
	5800	Back	45.5	45.5	46	11.5	11.5	28.3	28	1.5	No
	5800	Left	90.5	90.5	91	11.5	11.5	28.3	28	0.7	No
	5800	Right	2.0	2.0	5	11.5	11.5	28.3	28	13.5	Yes
	5800	Right-Tilt	2.0	2.0	5	11.5	11.5	28.3	28	13.5	Yes
	5800	Top	8.2	8.2	8	11.5	11.5	28.3	28	8.4	Yes
	5800	Bottom	102.4	102.4	102	11.5	11.5	28.3	28	0.7	No

Unit : mm

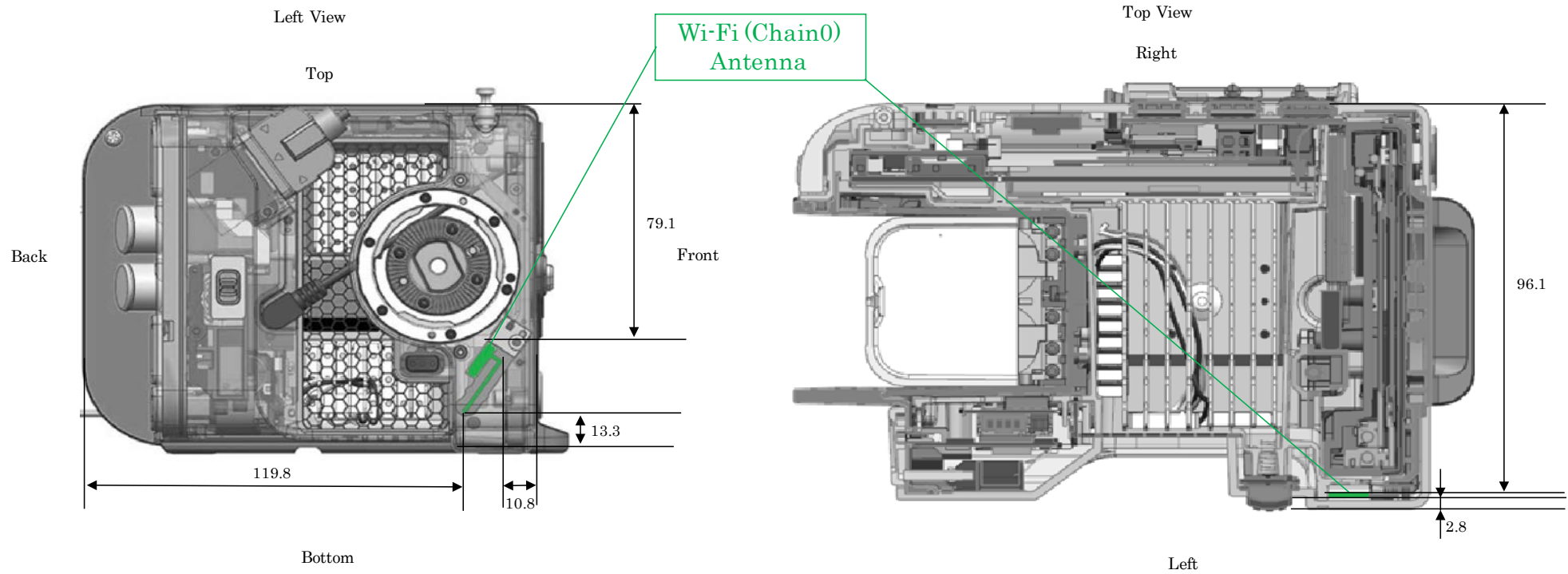


Figure D-7 Antenna Dimensions and Separation Distances

Unit : mm

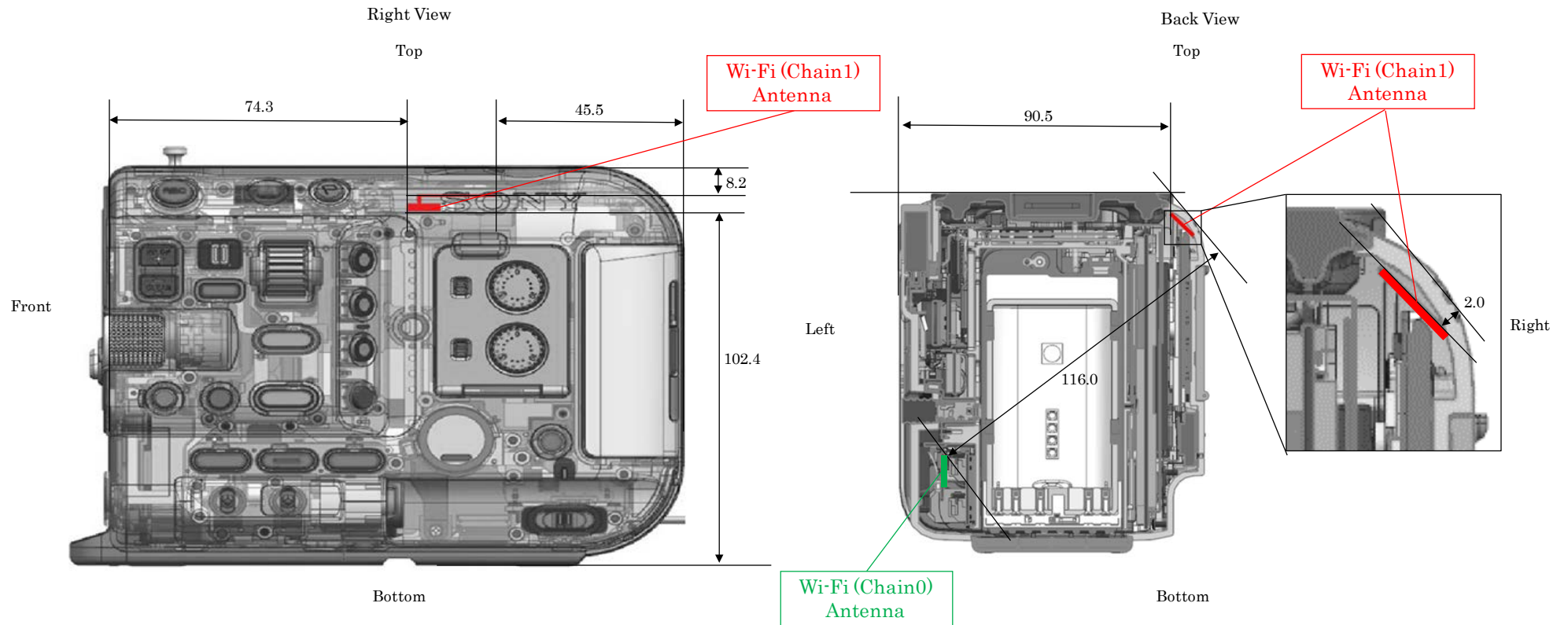


Figure D-7 Antenna Dimensions and Separation Distances (Continued)

Unit : mm

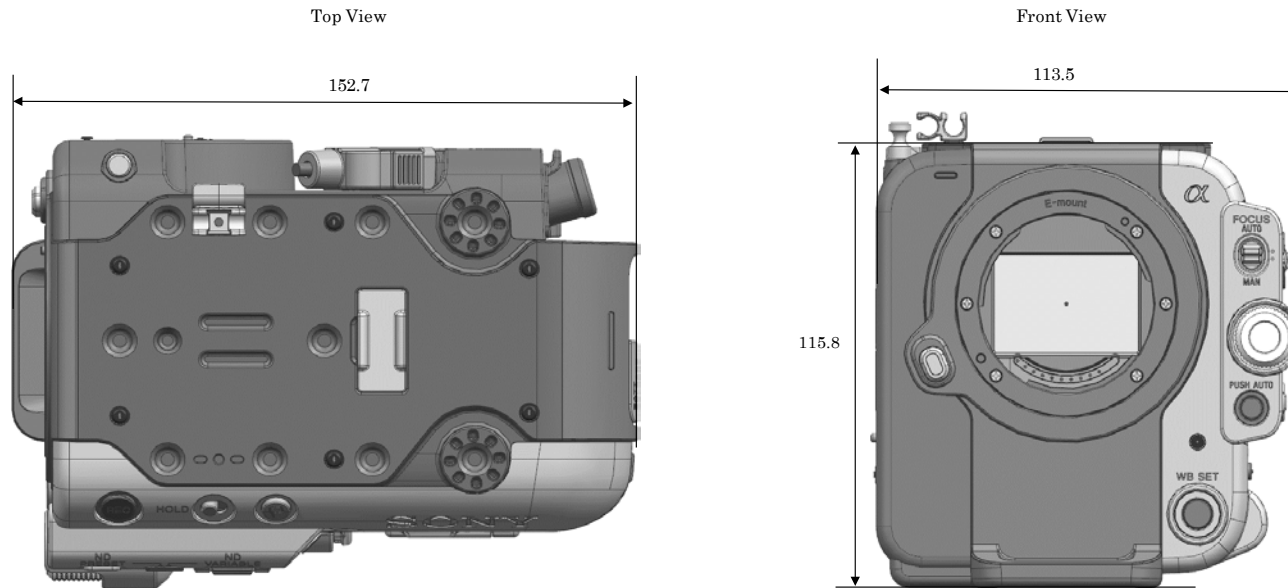


Figure D-7 Antenna Dimensions and Separation Distances (Continued)

D.3. Body-Worn Exposure Conditions



Figure D-8 Front



Figure D-9 Front-Tilt



Figure D-10 Left

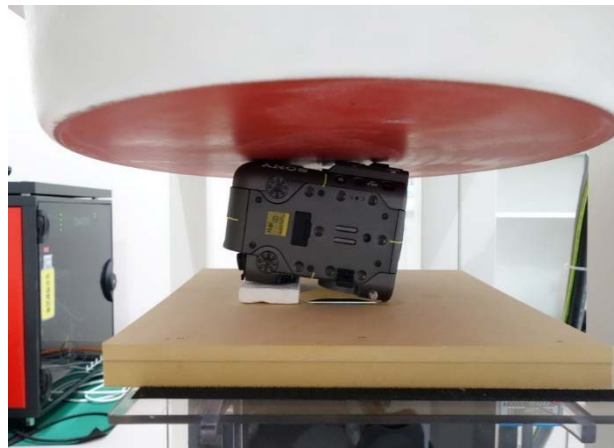


Figure D-11 Right

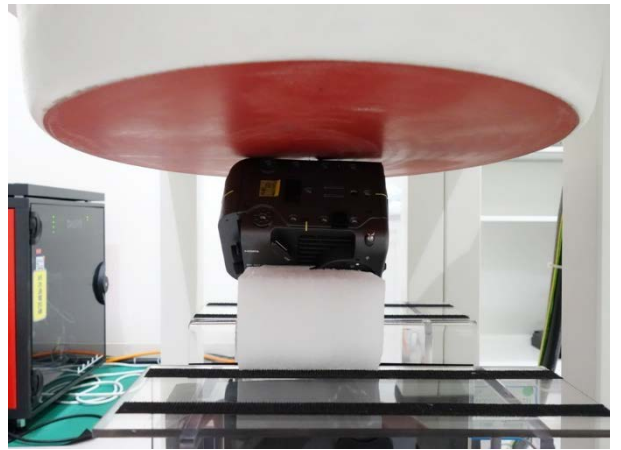


Figure D-12 Right-Tilt



Figure D-13 Top



Figure D-14 Bottom