

APPENDIX 4 : Photographs of test setup

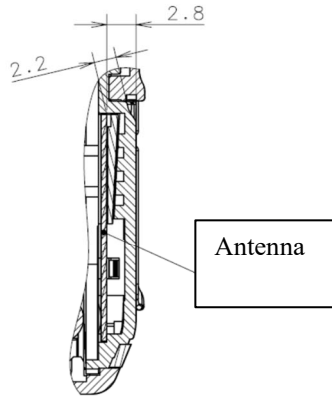
Photographs of host device

<Information of the Host device>

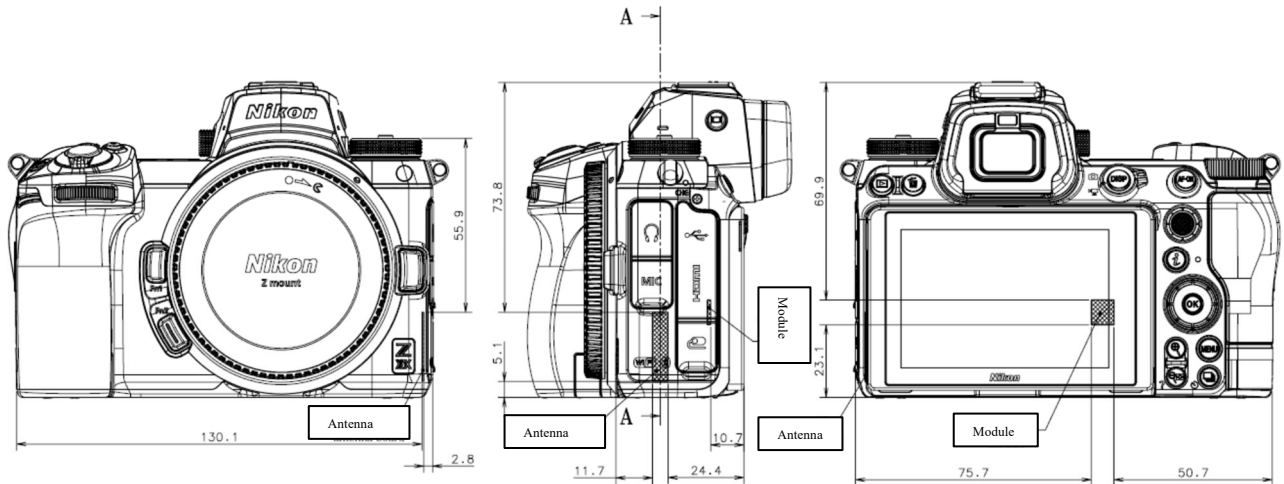
Type of Equipment	:	Digital Camera
Model No.	:	N1932
Serial No.	:	PT2-095
Rating	:	Battery: Typ. DC 7.0 V, 2280 mAh, 16 Wh (M/N: EN-EL15c)
Size of Host device	:	134 x 100.5 x 69.5 mm (W x H x D)
Receipt Date of Sample	:	May 27, 2020



Antenna position



A-A(2:1)

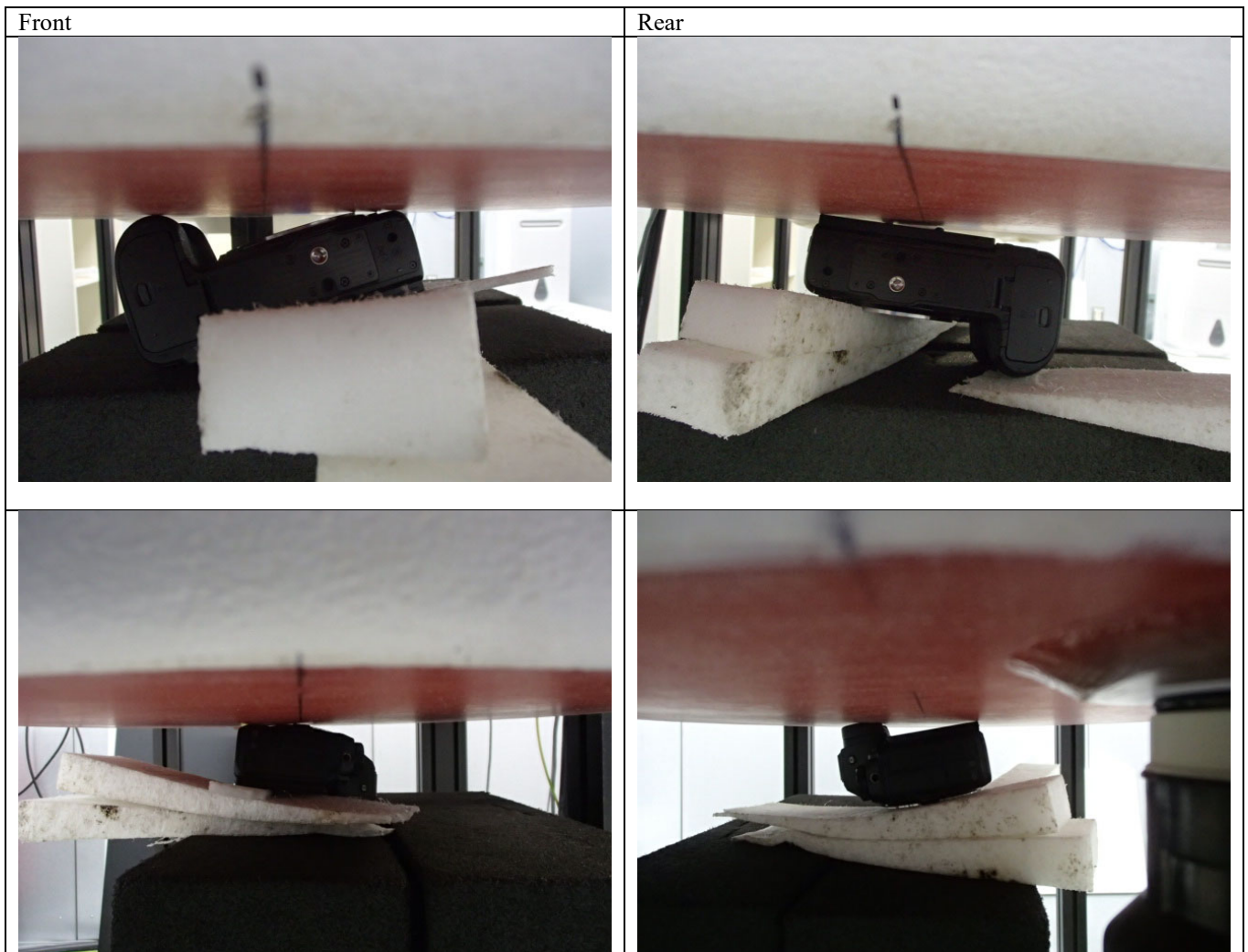


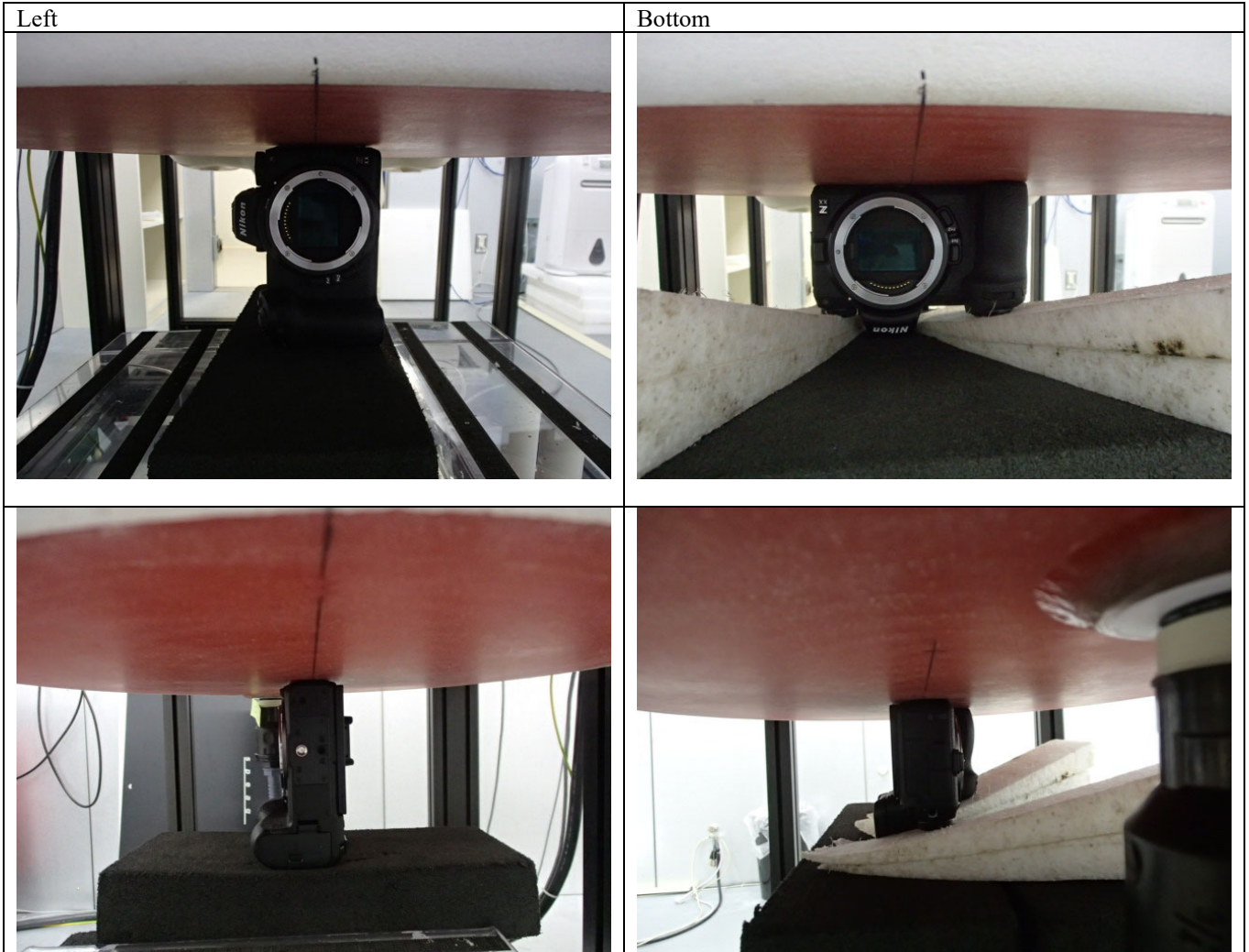
Front face

Left face

Rear face

Photographs of setup





End of Report