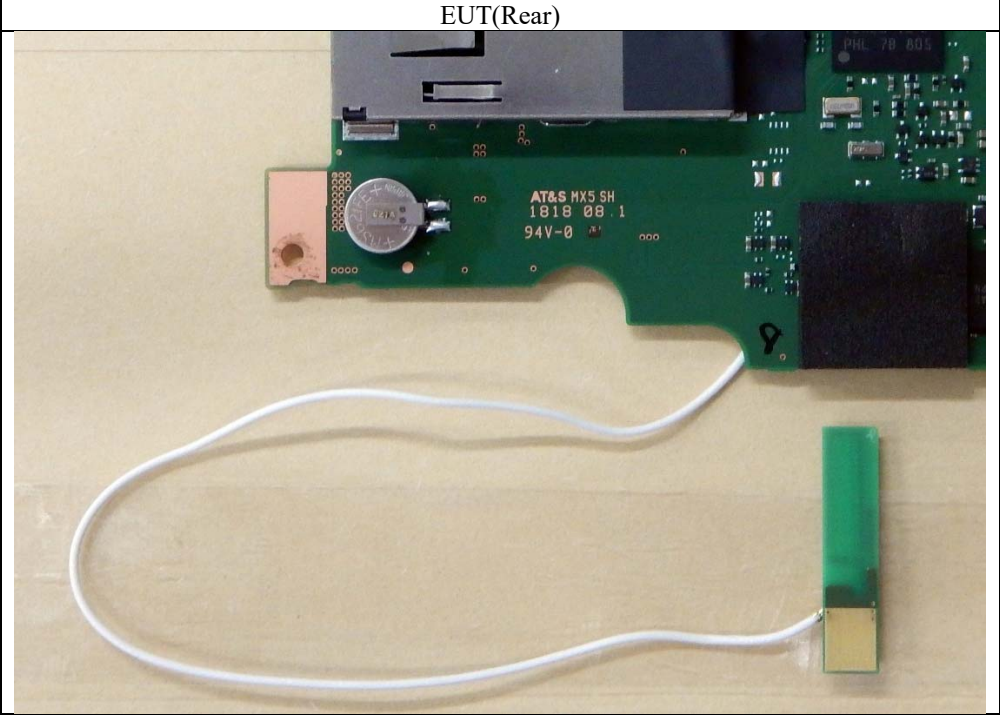
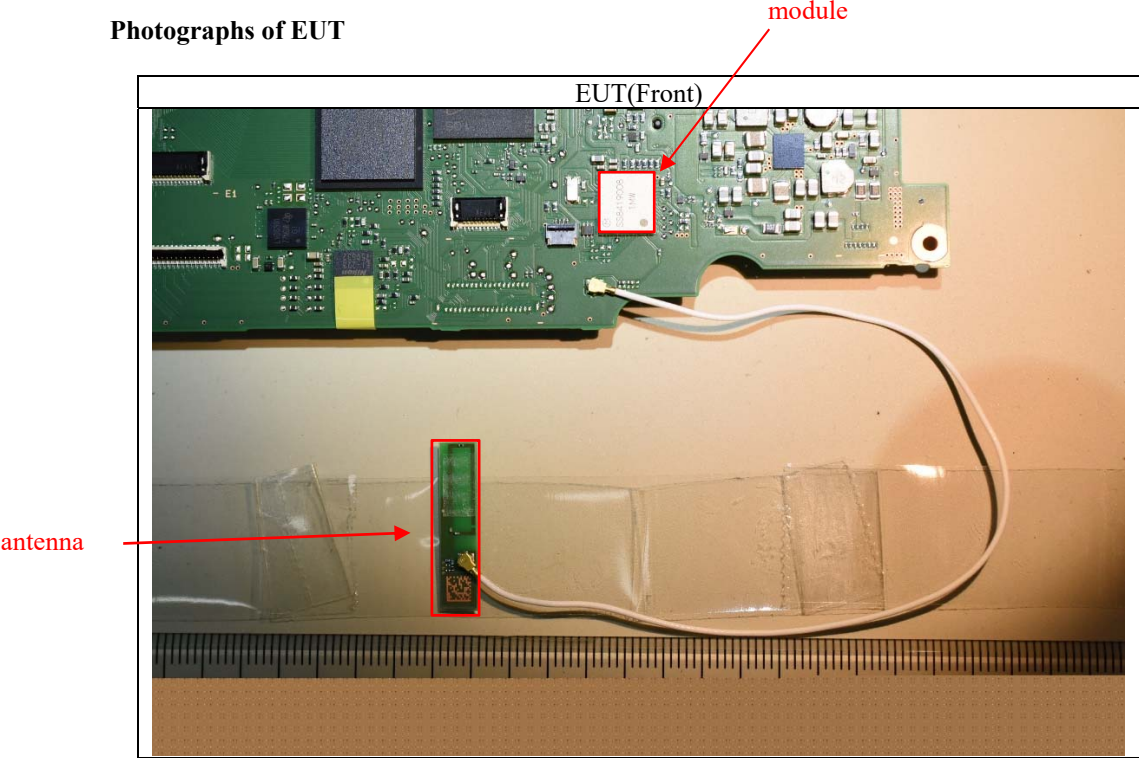


APPENDIX 4 : Photographs of test setup

Photographs of EUT



Photographs of host device

<Information of the Host device>

Type of Equipment : Digital Camera
Model No. : N1711
Serial No. : PT-2143
Rating : Battery: Typ. DC 7.0 V 1900 mAh 14 Wh (M/N:EN-EL15)
Size of Host device : 134 mm x 100.5 mm x 67.5 mm
Receipt Date of Sample : February 26, 2018

Top



Right



Front



Left



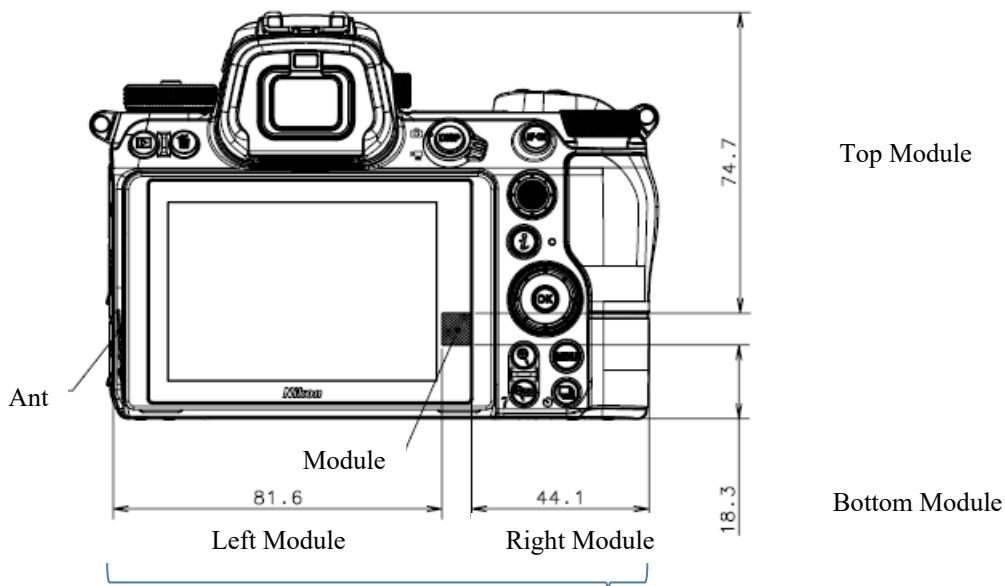
Bottom



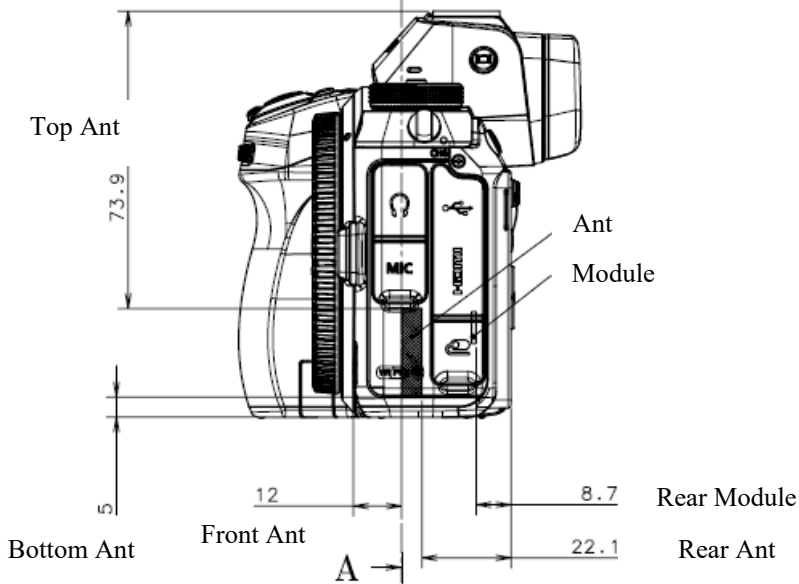
Rear



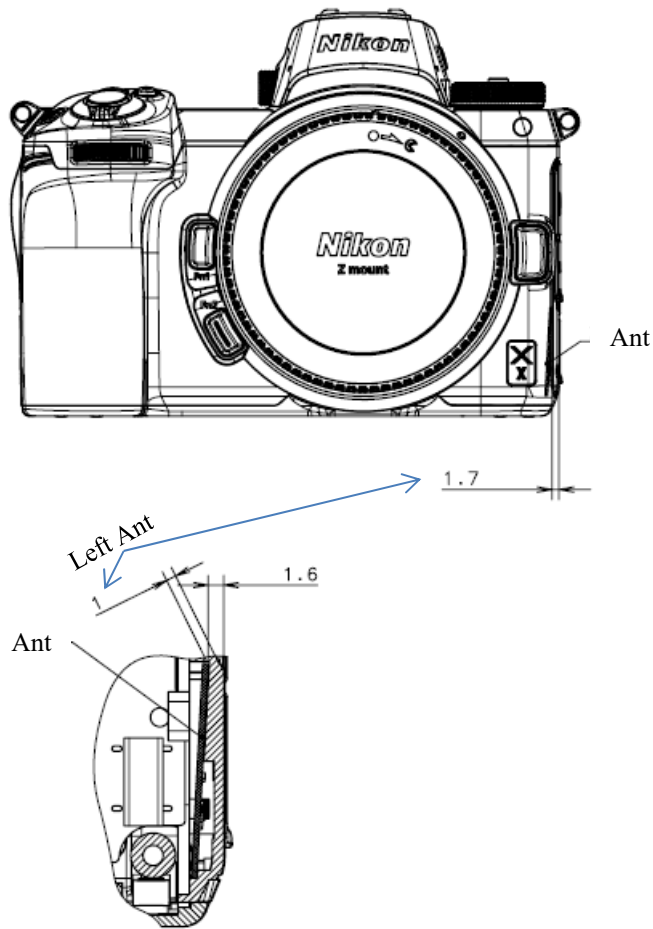
Antenna position



Right Ant distance is more than 125.7mm (81.6mm+44.1mm)

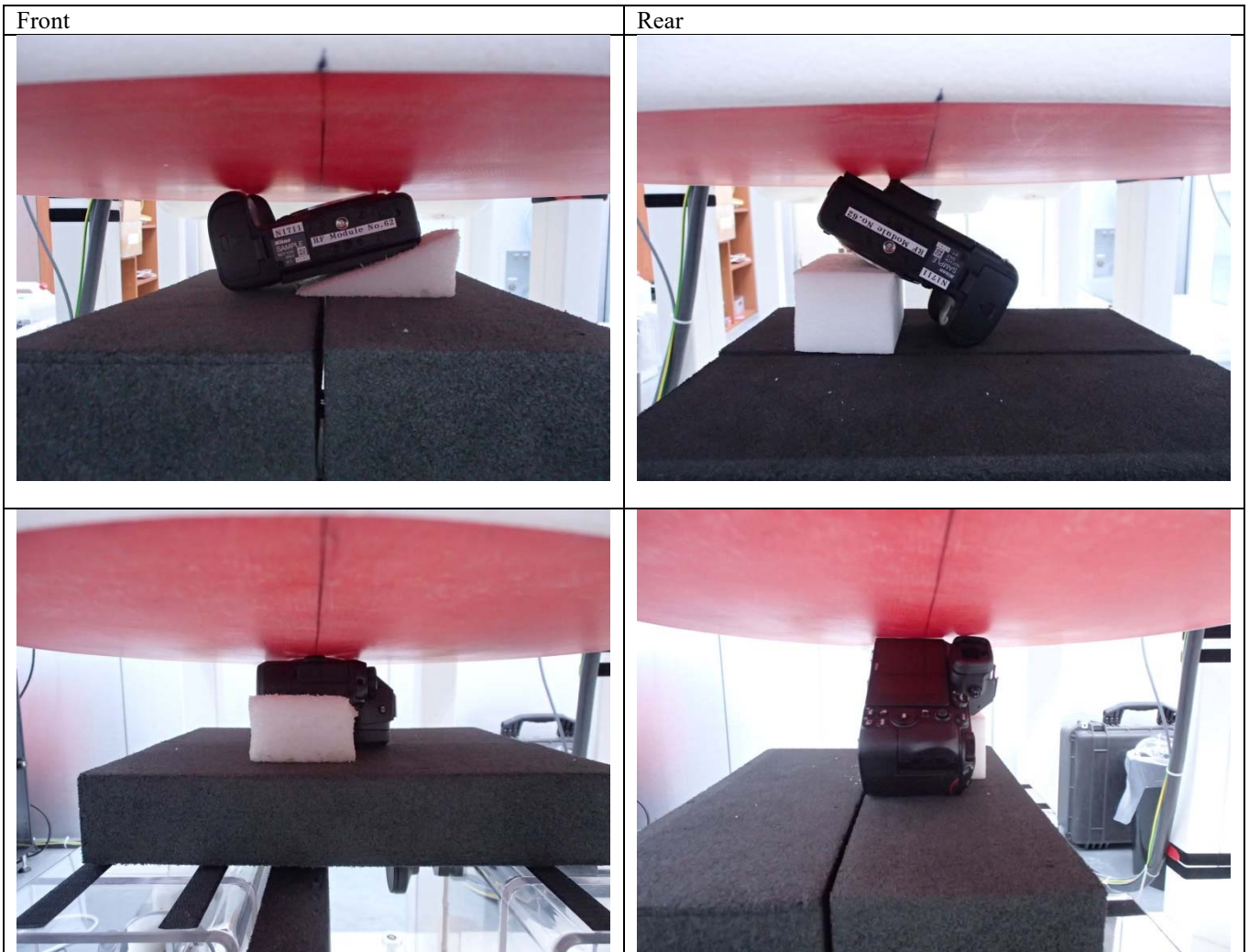


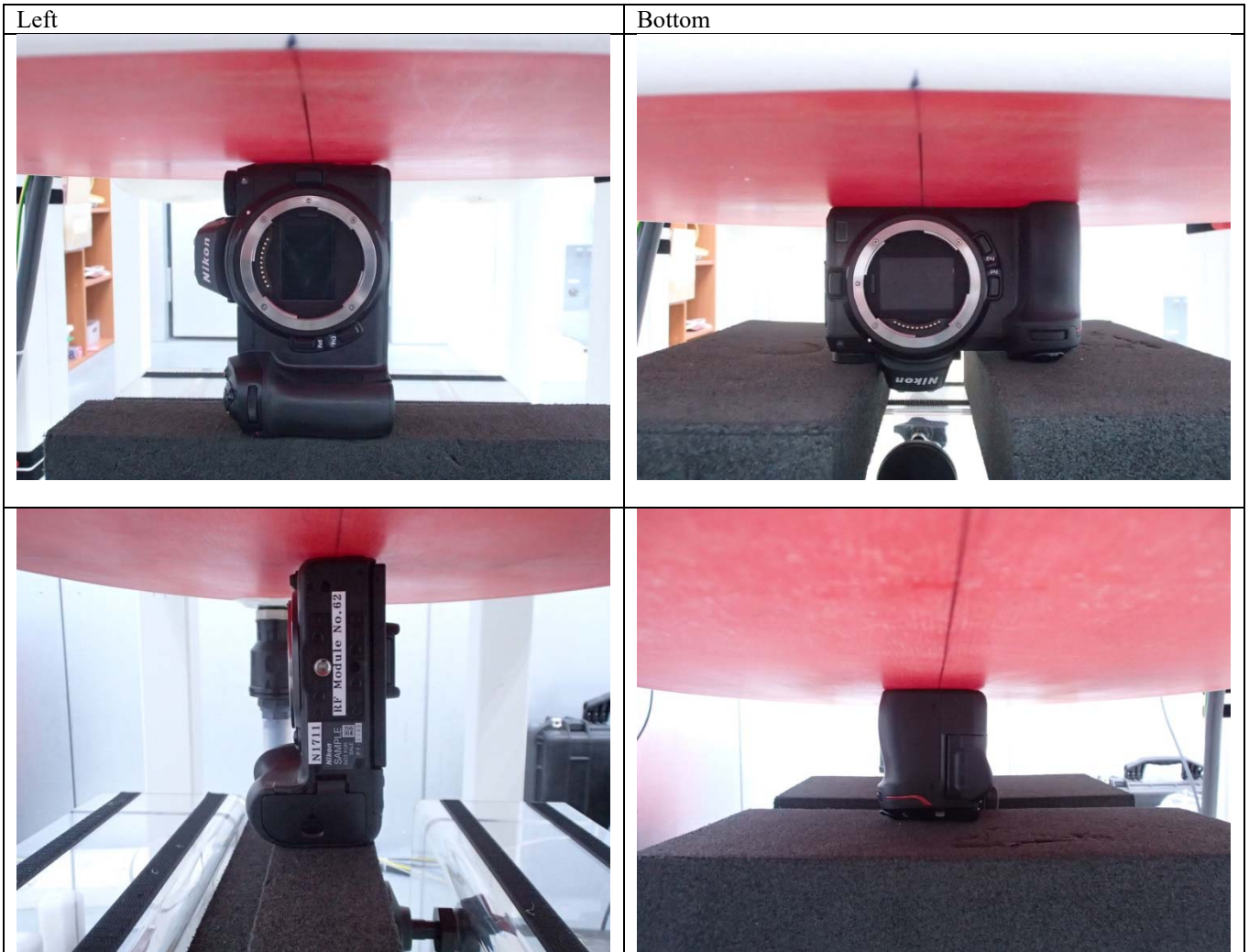
A-A View is shown next page.



A-A View

Photographs of setup





End of Report