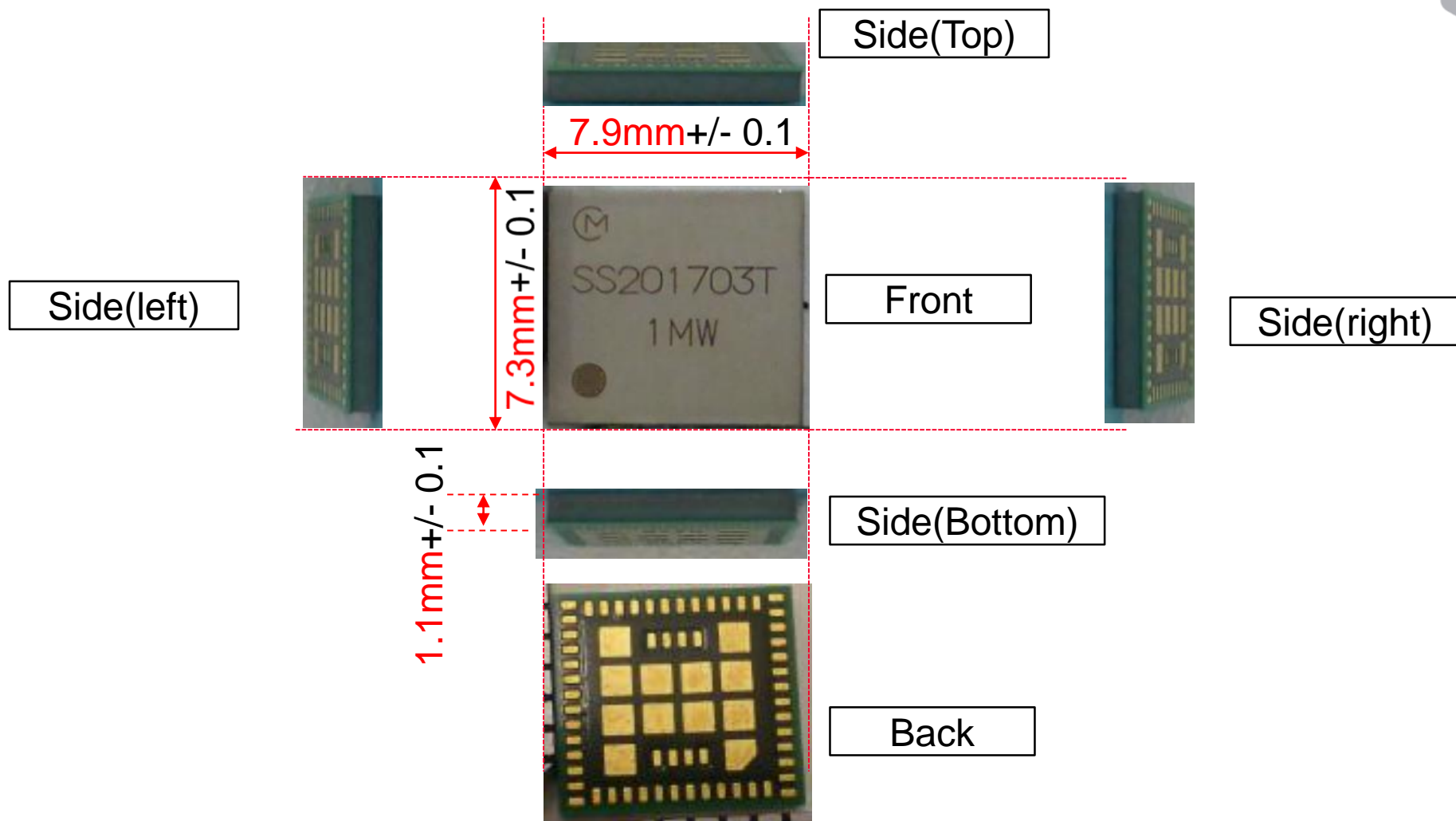


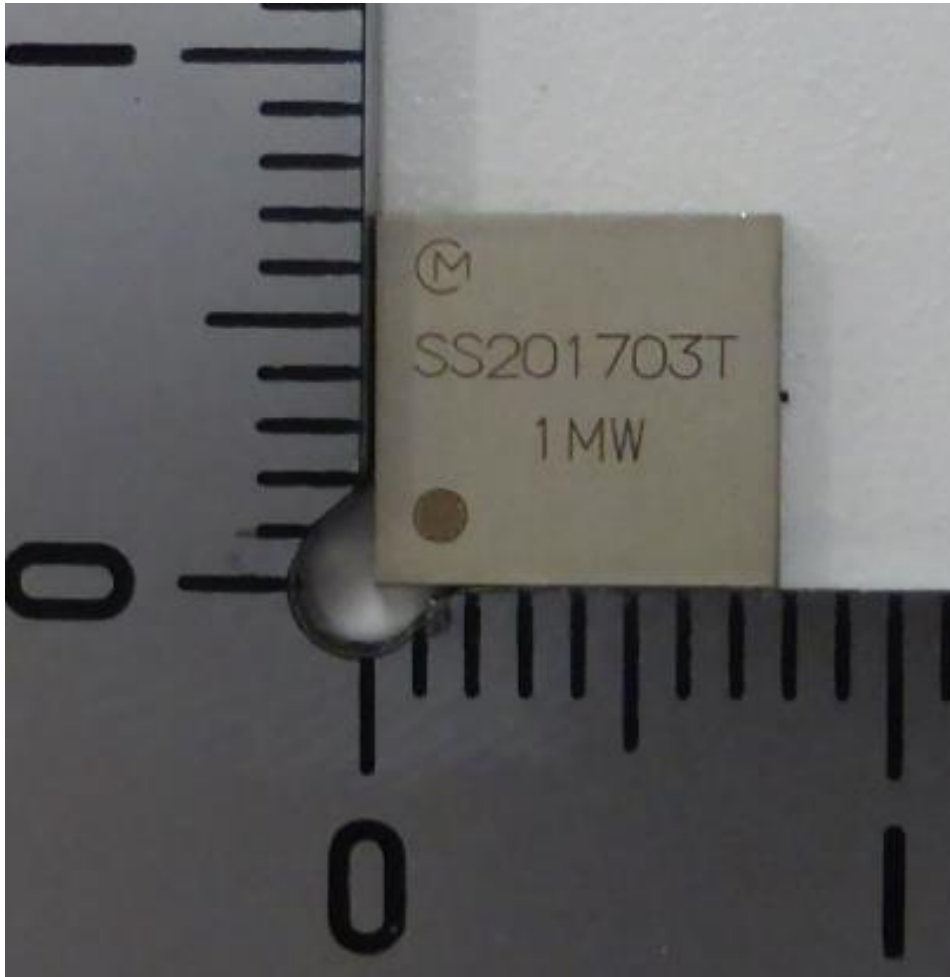
6D Photo



Weight : 0.15g, Surface mount type : 7.9 x 7.3 mm (Typical), H = 1.1 mm (Max)

CONFIDENTIAL

External Photo

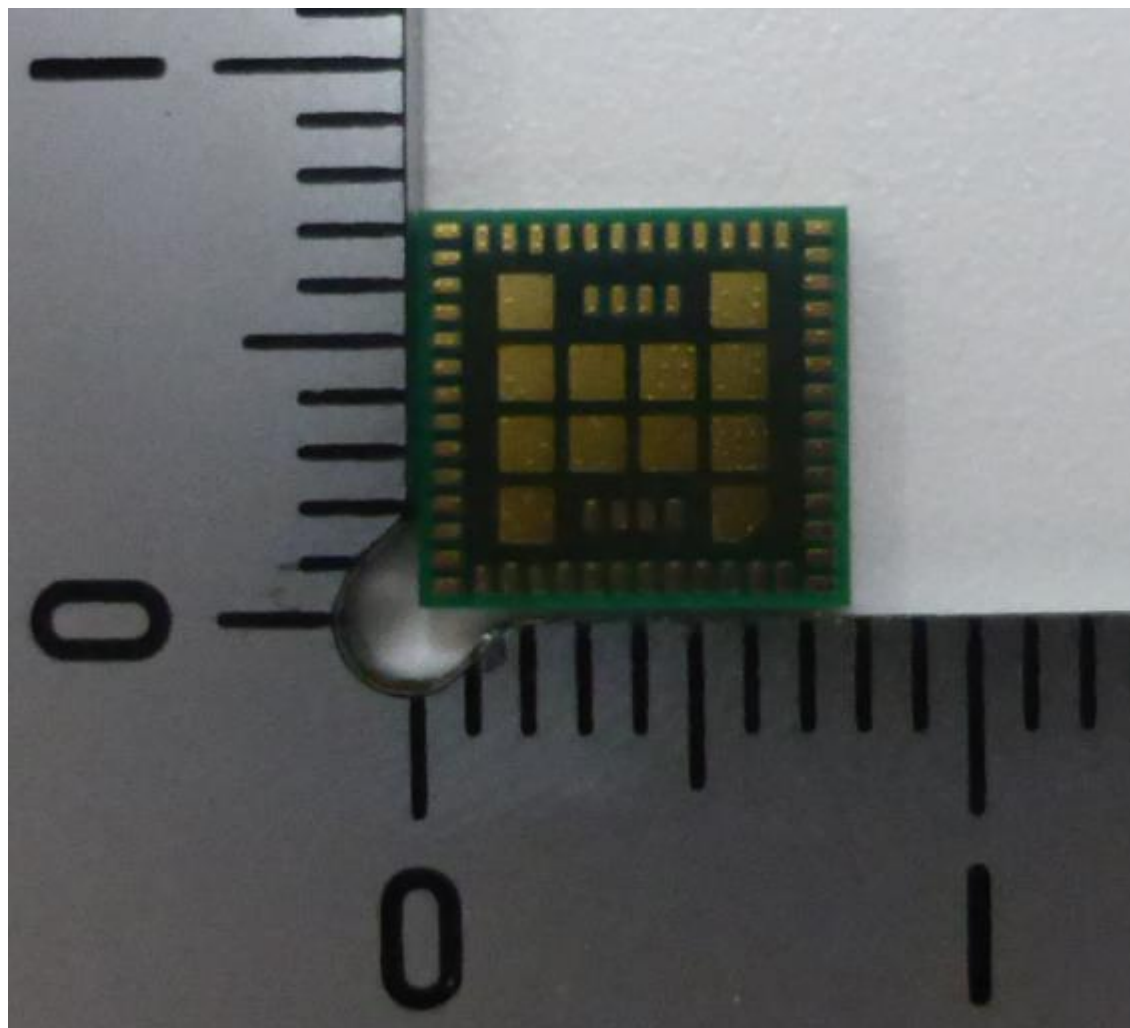


Please refer to the Label figure for the contents of the label notation.

Module(Top --- Shielded)

CONFIDENTIAL

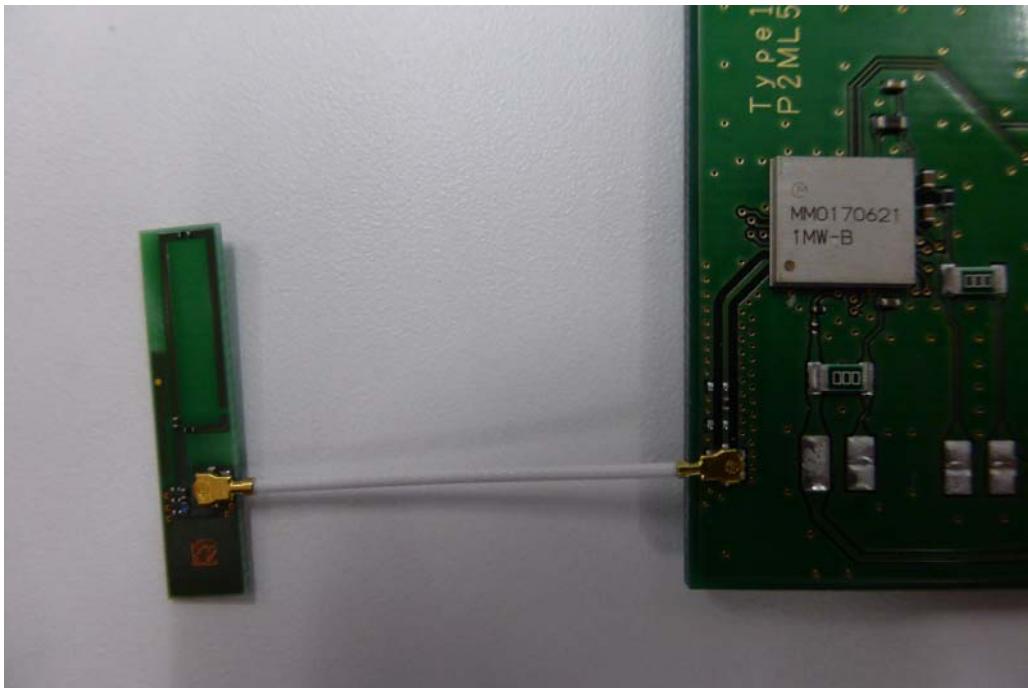
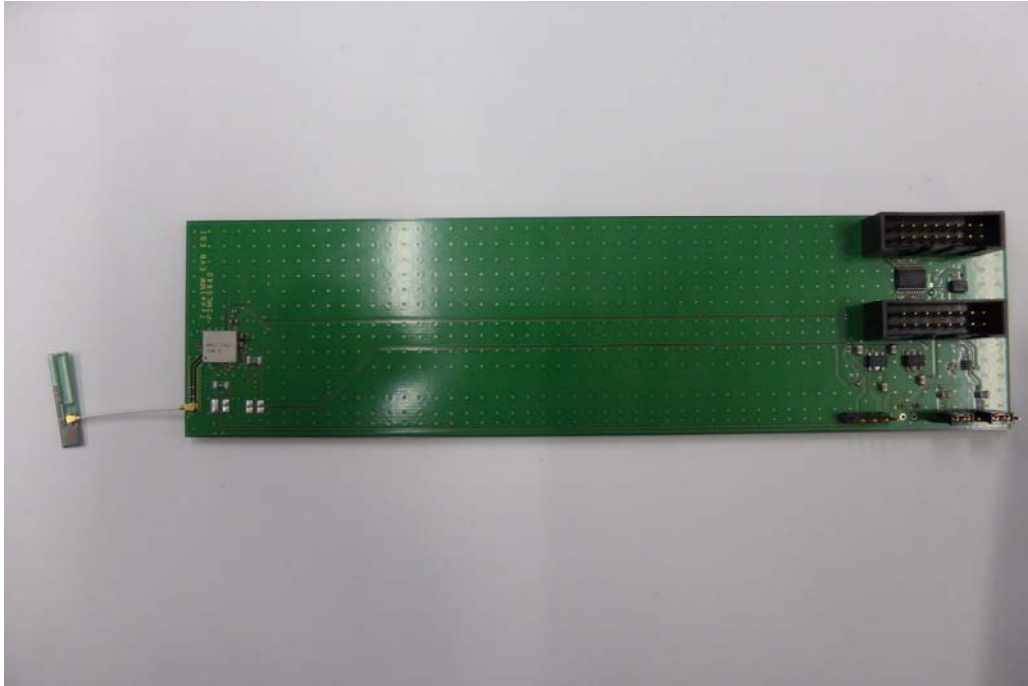
External Photo



Module(Back)

CONFIDENTIAL

External Photo (module with antenna)



***30mm and 300mm are same mounting method.**