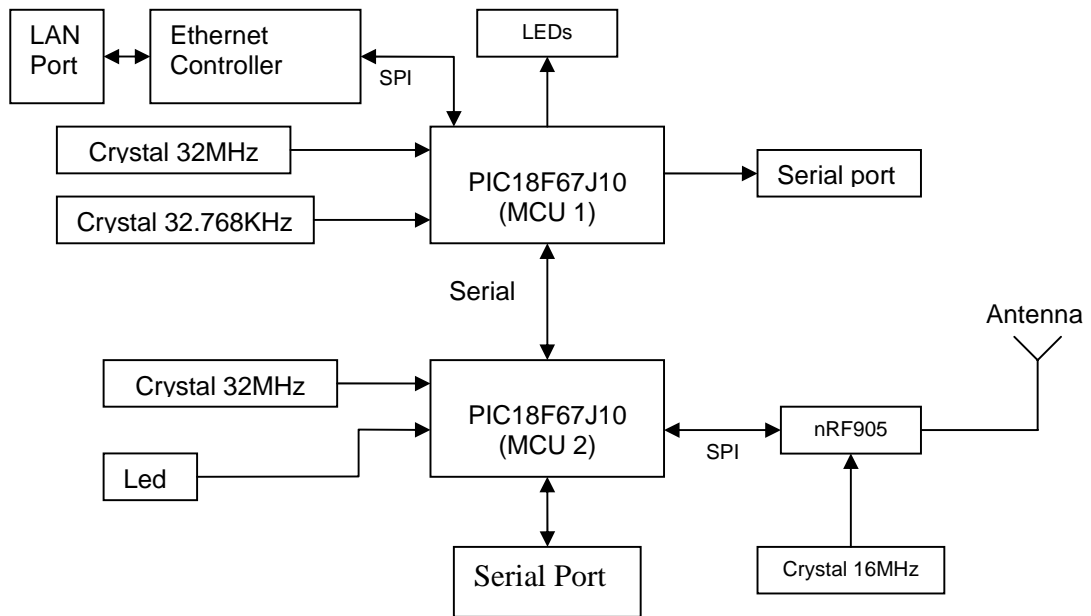


Block diagram: SMN900



Frequency range : 919.8MHz~925MHz